



US00D639738S

(12) **United States Design Patent**
Lee et al.

(10) **Patent No.:** **US D639,738 S**
(45) **Date of Patent:** **** Jun. 14, 2011**

(54) **SPRING FOR VIBRATION MOTOR**

(75) Inventors: **Kyung Ho Lee**, Gyunggi-do (KR); **Jun Kun Choi**, Gyunggi-do (KR); **Yong Jin Kim**, Gyunggi-do (KR); **Jee Sung Lee**, Gyunggi-do (KR); **Hwa Young Oh**, Seoul (KR); **Seok Jun Park**, Gyunggi-do (KR); **Kwang Hyung Lee**, Gyunggi-do (KR); **Je Hyun Bang**, Gyunggi-do (KR)

(73) Assignee: **Samsung Electro-Mechanics Co., Ltd.**, Suwon (KR)

(**) Term: **14 Years**

(21) Appl. No.: **29/347,930**

(22) Filed: **Aug. 6, 2010**

(30) **Foreign Application Priority Data**

Feb. 18, 2010 (KR) 30-2010-0006993

(51) **LOC (9) Cl.** **13-01**

(52) **U.S. Cl.** **D13/122**

(58) **Field of Classification Search** D13/122, D13/101, 112, 114, 117, 118, 199; D8/349, D8/354, 395, 499; D19/65, 86; 185/37, 185/39, 40 R; 194/275, 279; 267/84, 90, 267/136, 140.14, 140.15; 310/10, 15, 12.01, 310/51, 65, 66, 81, 154.14, 154.27, 156.17

See application file for complete search history.

(56) **References Cited**

U.S. PATENT DOCUMENTS

D317,909	S	*	7/1991	Fujioka	D13/199
D334,411	S	*	3/1993	Kuroda	D19/65
6,133,657	A	*	10/2000	Semenik et al.	310/81
D509,793	S	*	9/2005	Suzuki et al.	D13/114
7,023,114	B2	*	4/2006	Takagi et al.	310/81
D541,217	S	*	4/2007	Tang et al.	D13/118

FOREIGN PATENT DOCUMENTS

KR 30-0324441 5/2003

* cited by examiner

Primary Examiner — Stella M Reid
Assistant Examiner — Derrick Holland

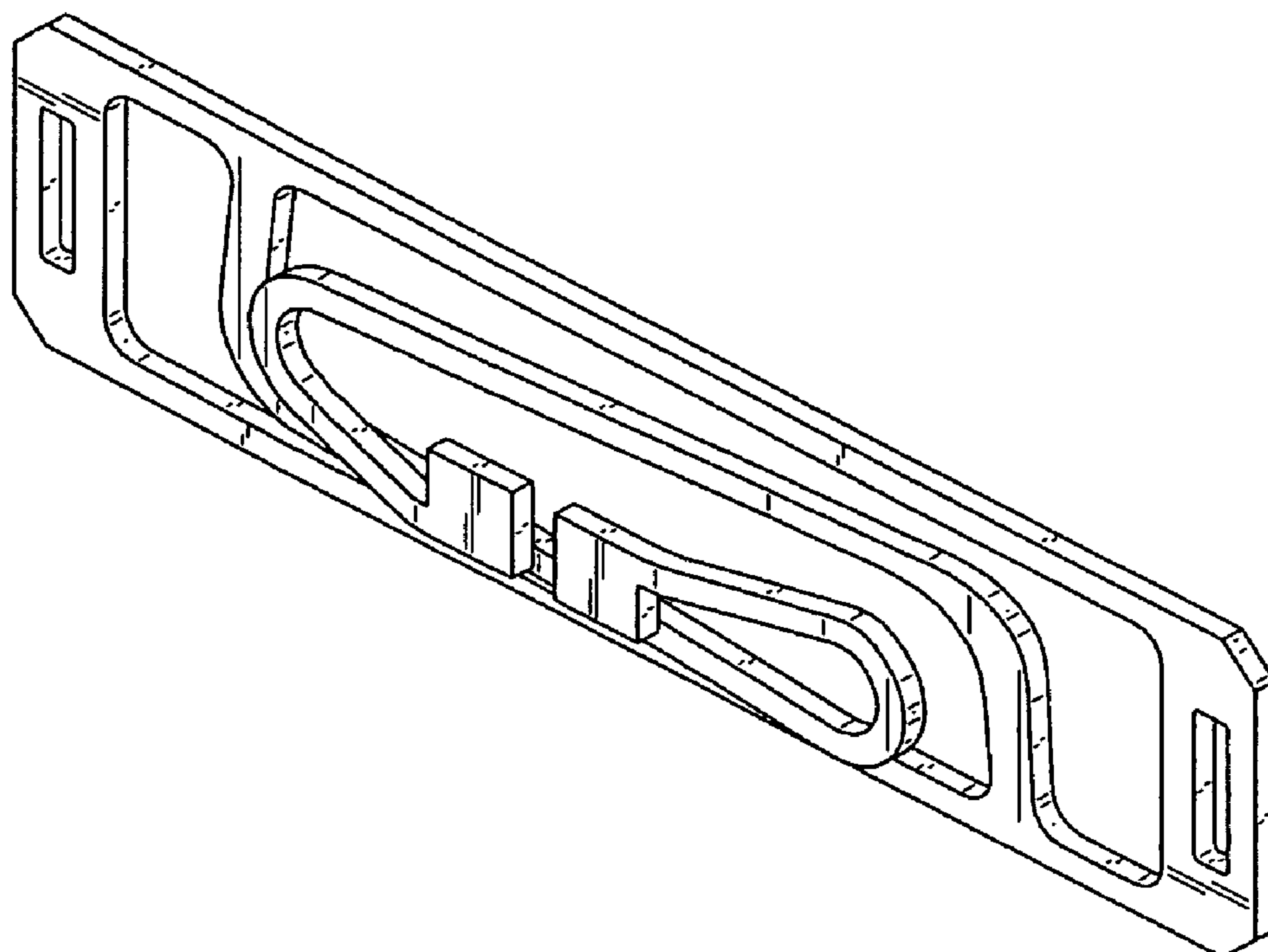
(57) **CLAIM**

The ornamental design for a spring for vibration motor, as shown and described.

DESCRIPTION

FIG. 1 is a perspective view of a spring for vibration motor; FIG. 2 is a front view of the spring for vibration motor of FIG. 1; FIG. 3 is a rear view of the spring for vibration motor of FIG. 1; FIG. 4 is a left-side view of the spring for vibration motor of FIG. 1; FIG. 5 is a right-side view of the spring for vibration motor of FIG. 1; FIG. 6 is a top plan view of the spring for vibration motor of FIG. 1; and, FIG. 7 is a bottom plan view of the spring for vibration motor of FIG. 1.

1 Claim, 2 Drawing Sheets



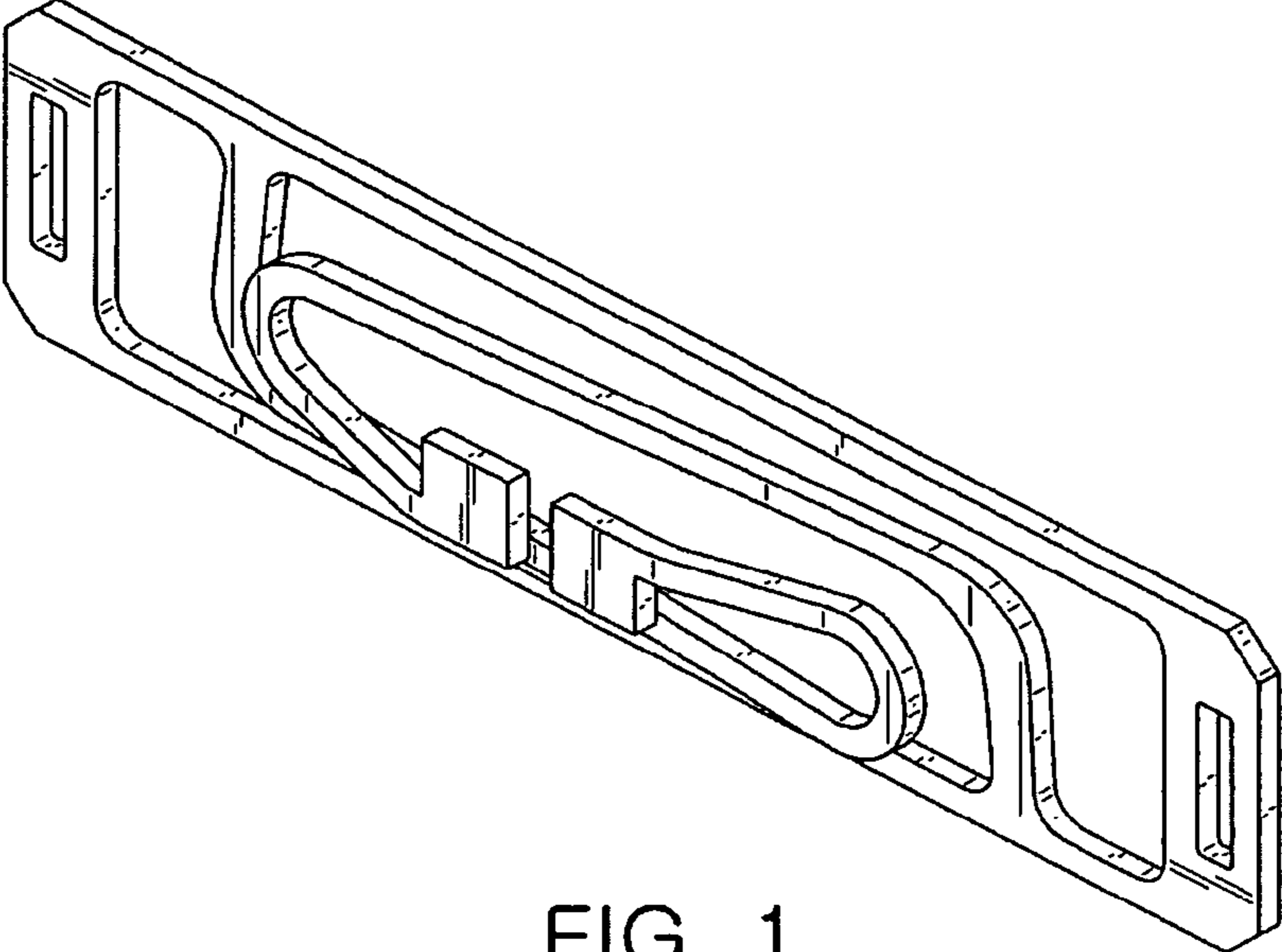


FIG. 1

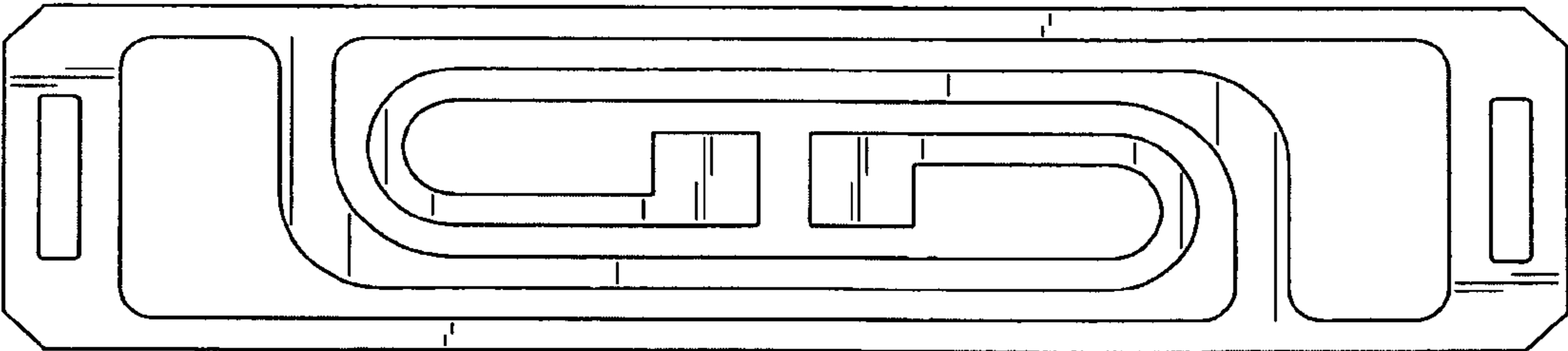


FIG. 2

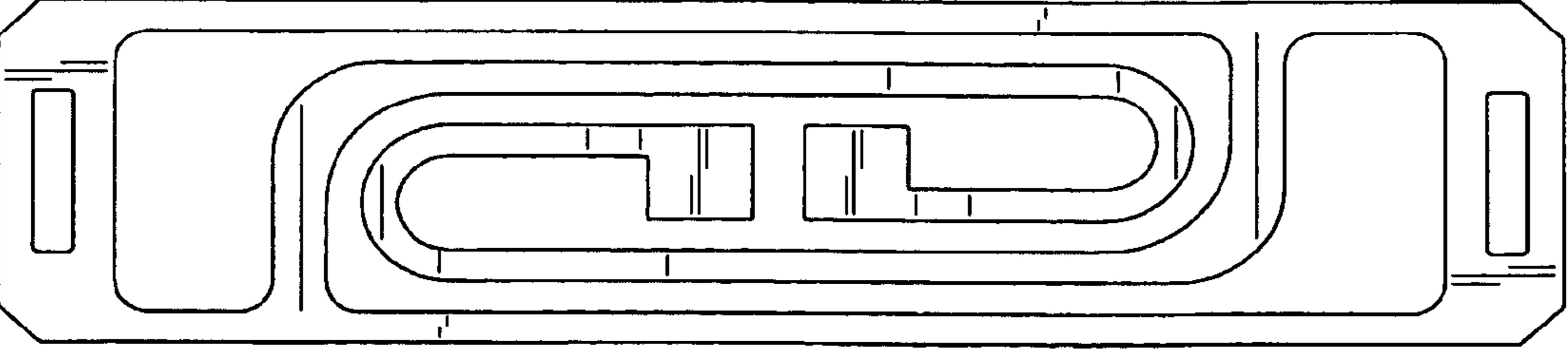


FIG. 3



FIG. 4

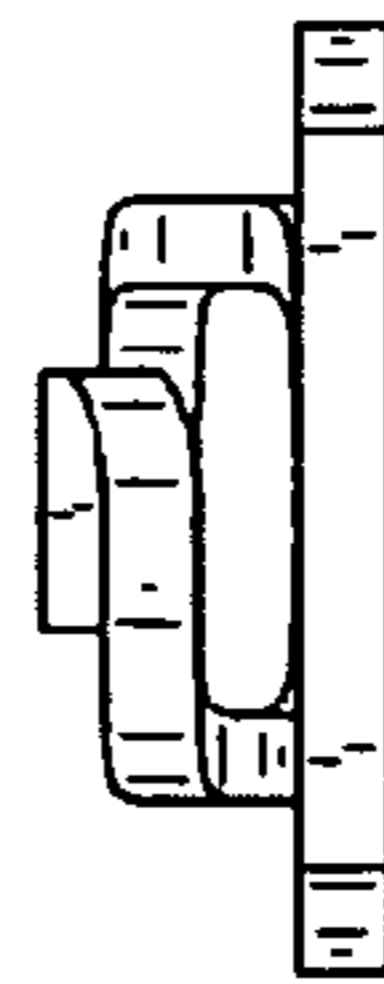


FIG. 5

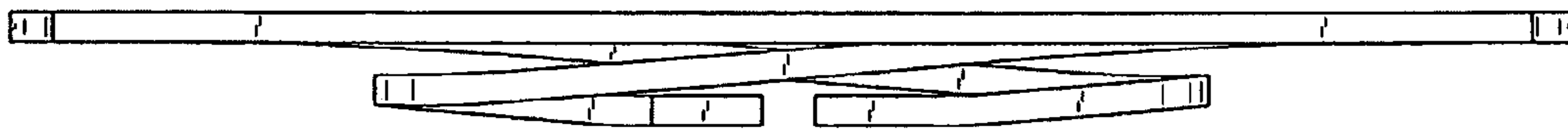


FIG. 6

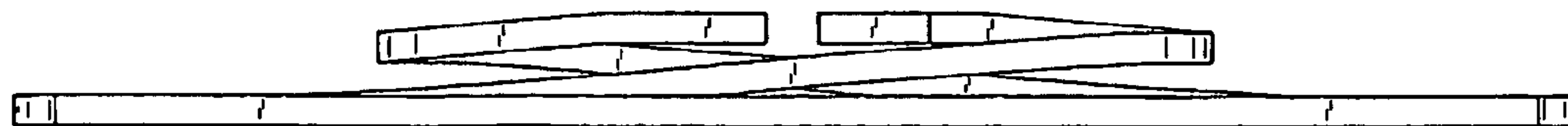


FIG. 7