



US00D639737S

(12) **United States Design Patent**
Saber et al.

(10) **Patent No.:** **US D639,737 S**
(45) **Date of Patent:** **** Jun. 14, 2011**

(54) **PIEZOMOTOR CONNECTOR**
(75) Inventors: **Reza Saber**, Tehran (IR); **Saeed Sarkar**,
Tehran (IR)
(73) Assignee: **NanoTechnology System Corporation**
(**NATSYCO**), Tehran (IR)

D550,622 S * 9/2007 Shih D13/118
7,342,347 B2 * 3/2008 Magnussen et al. 310/323.01
7,348,710 B2 * 3/2008 Mattsson et al. 310/328
7,368,853 B2 * 5/2008 Magnussen et al. 310/323.01
D595,115 S * 6/2009 Royer D8/354
D595,649 S * 7/2009 Borcharding D13/118
D595,660 S * 7/2009 Brassard D13/154
D601,970 S * 10/2009 Peng et al. D13/154

* cited by examiner

(**) Term: **14 Years**

Primary Examiner — Stella Reid

(21) Appl. No.: **29/377,634**

Assistant Examiner — Derrick Holland

(22) Filed: **Oct. 23, 2010**

(74) *Attorney, Agent, or Firm* — International IP Group,
LLC; Hussein Akhavanik

(51) **LOC (9) Cl.** **13-01**

(57) **CLAIM**

(52) **U.S. Cl.** **D13/118**

The ornamental design for a piezomotor connector, substan-
tially as shown and described.

(58) **Field of Classification Search** D13/118,

D13/101, 117, 122, 133, 149, 154, 199; D8/349,
D8/354, 382; 248/165, 166, 200, 300; 292/251.5,
292/288, 289; 310/323.01, 323.05, 323.09,
310/323.16, 328, 354, 355

DESCRIPTION

See application file for complete search history.

FIG. 1 is a top, right side perspective view of a piezomotor
connector, showing our new design;
FIG. 2 is a bottom, right side perspective view thereof;
FIG. 3 is a front view thereof;
FIG. 4 is a rear view thereof;
FIG. 5 is a top view thereof;
FIG. 6 is a bottom view thereof;
FIG. 7 is a left side view thereof; and,
FIG. 8 is a right side view thereof.

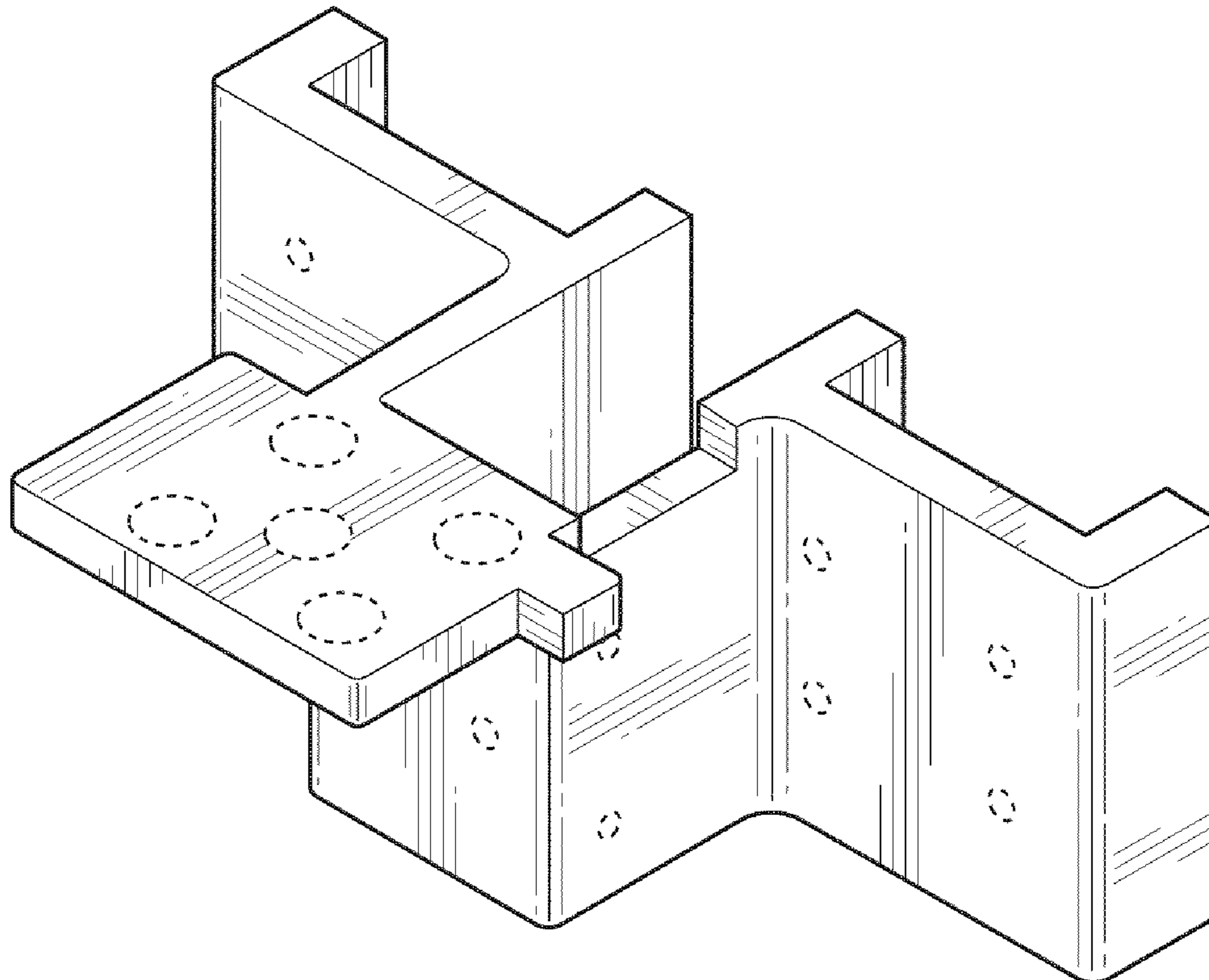
The broken lines shown represent unclaimed subject matter
and form no part of the claimed design.

(56) **References Cited**

U.S. PATENT DOCUMENTS

5,146,129 A * 9/1992 Tamura et al. 310/323.16
D422,557 S * 4/2000 Grace D13/118
6,188,161 B1 * 2/2001 Yoshida et al. 310/328
D457,805 S * 5/2002 Machijima D8/354
D463,365 S * 9/2002 Sakai et al. D13/118
D514,514 S * 2/2006 Franks, Jr. D13/133

1 Claim, 4 Drawing Sheets



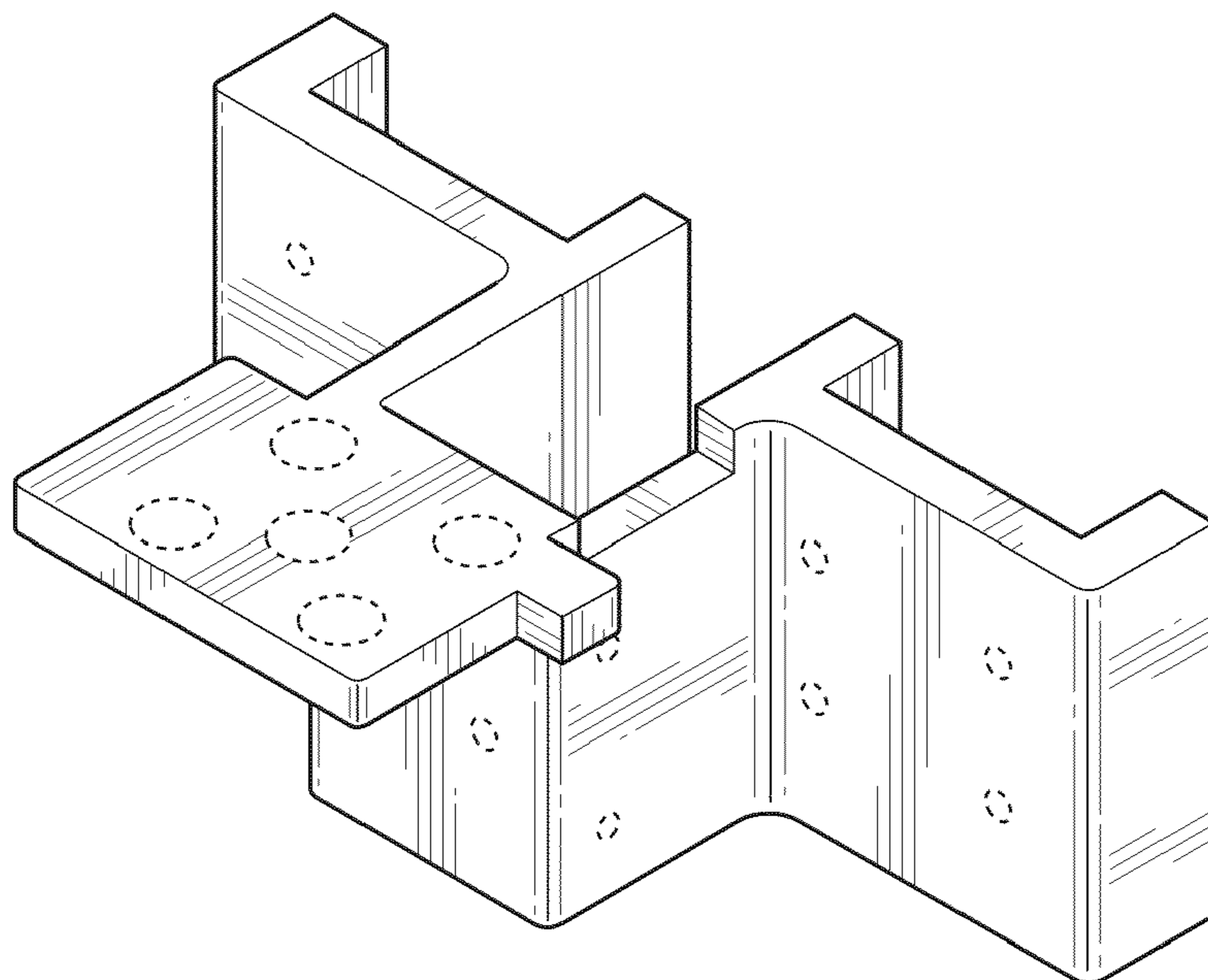


FIG. 1

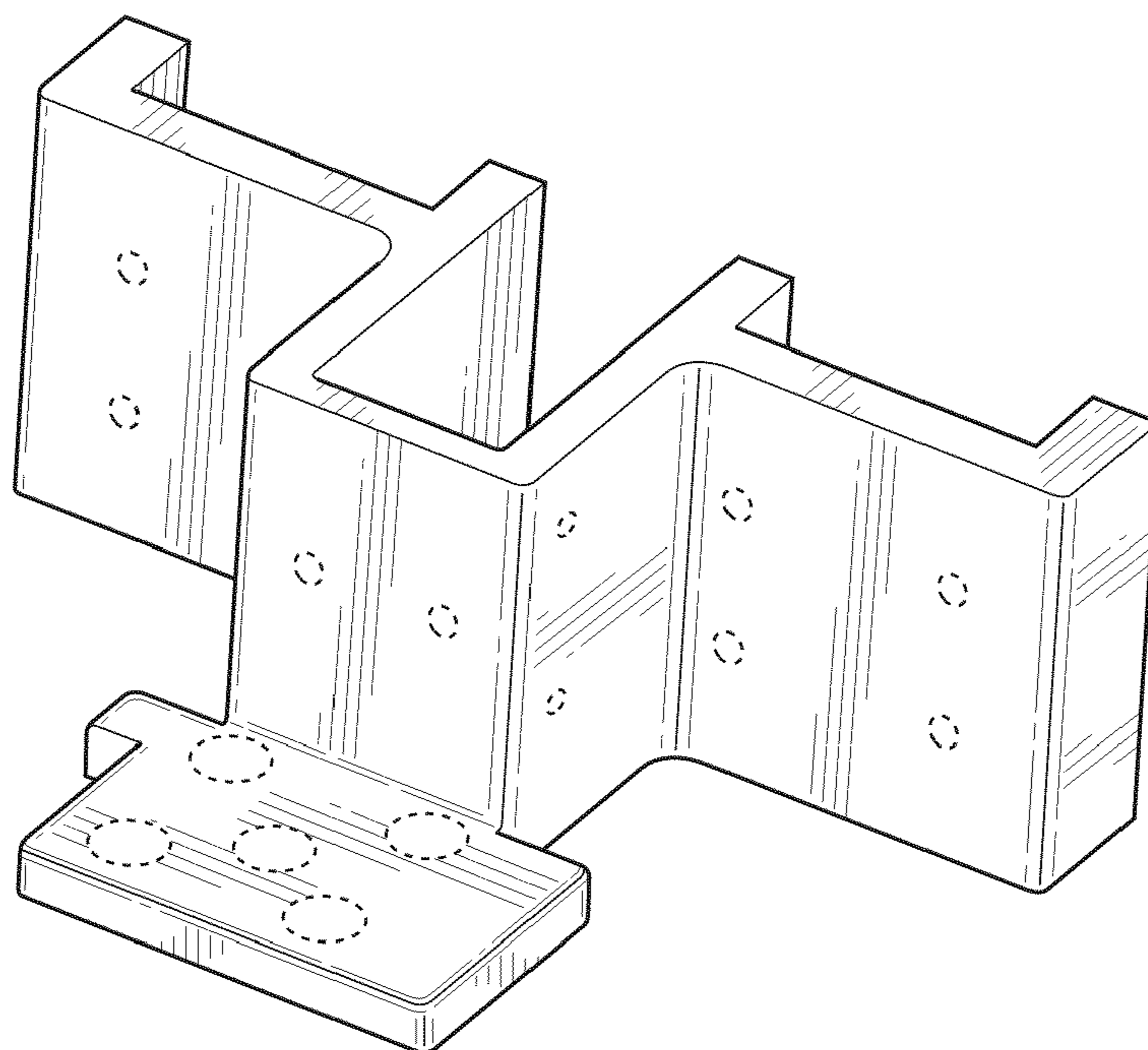


FIG. 2

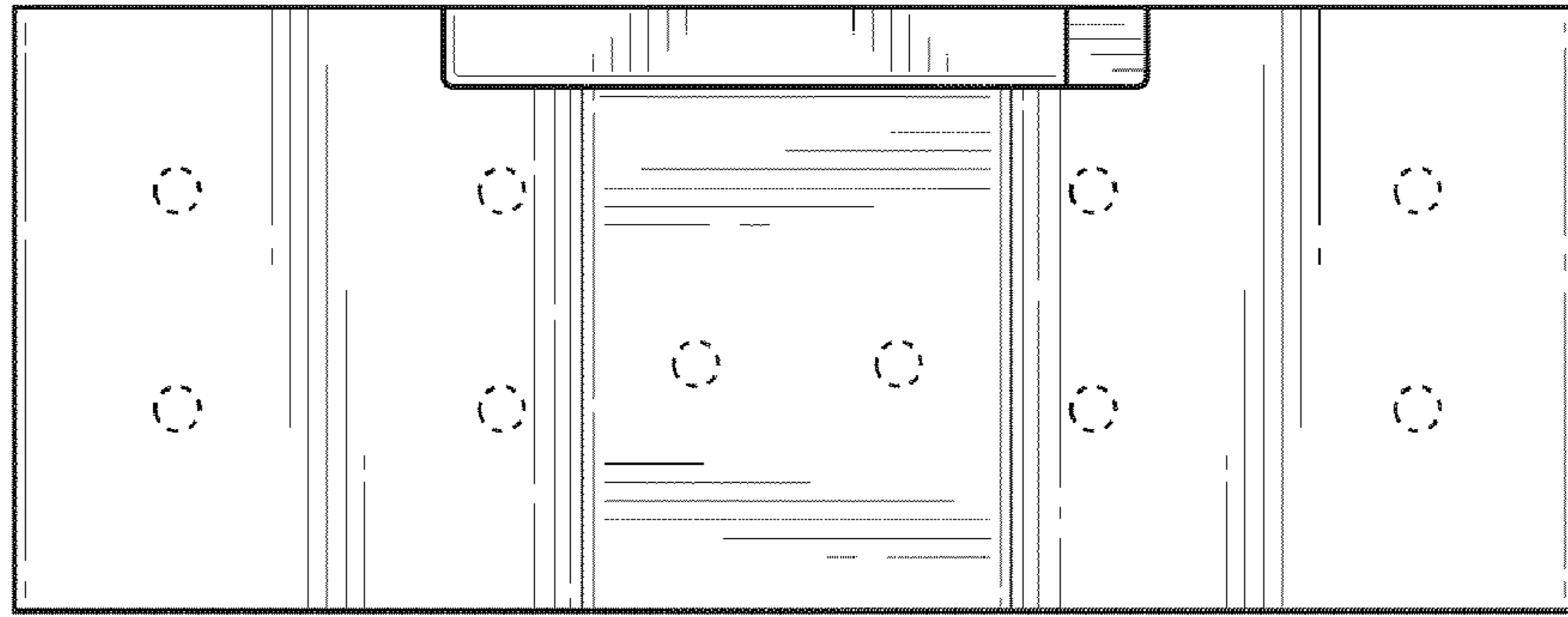


FIG. 3

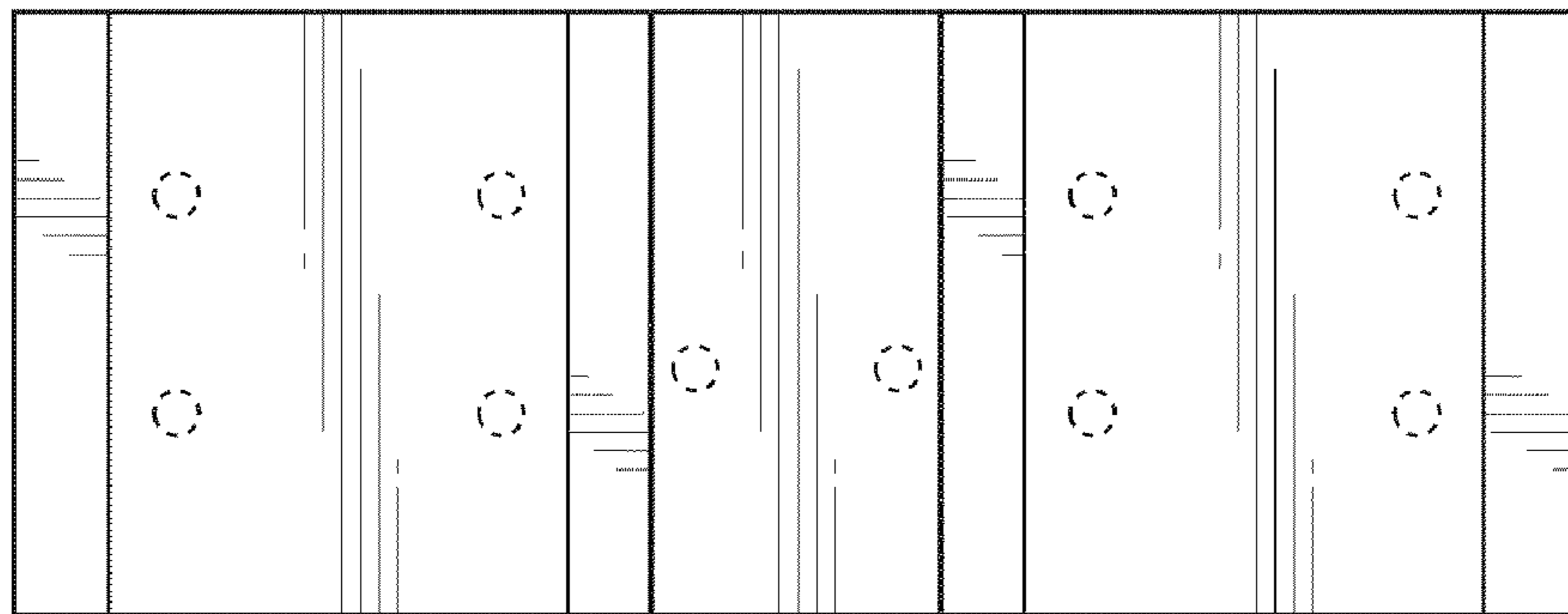


FIG. 4

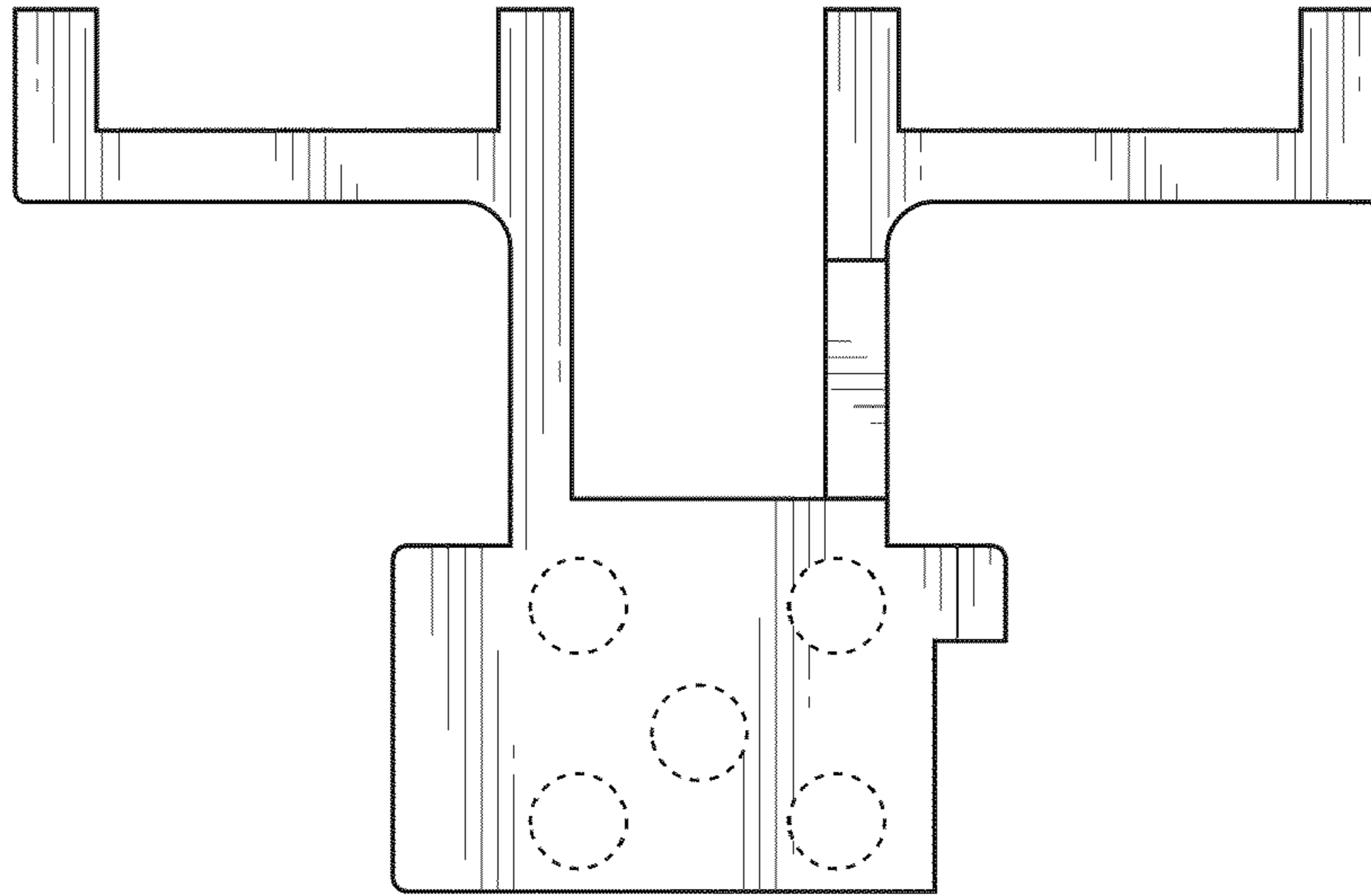


FIG. 5

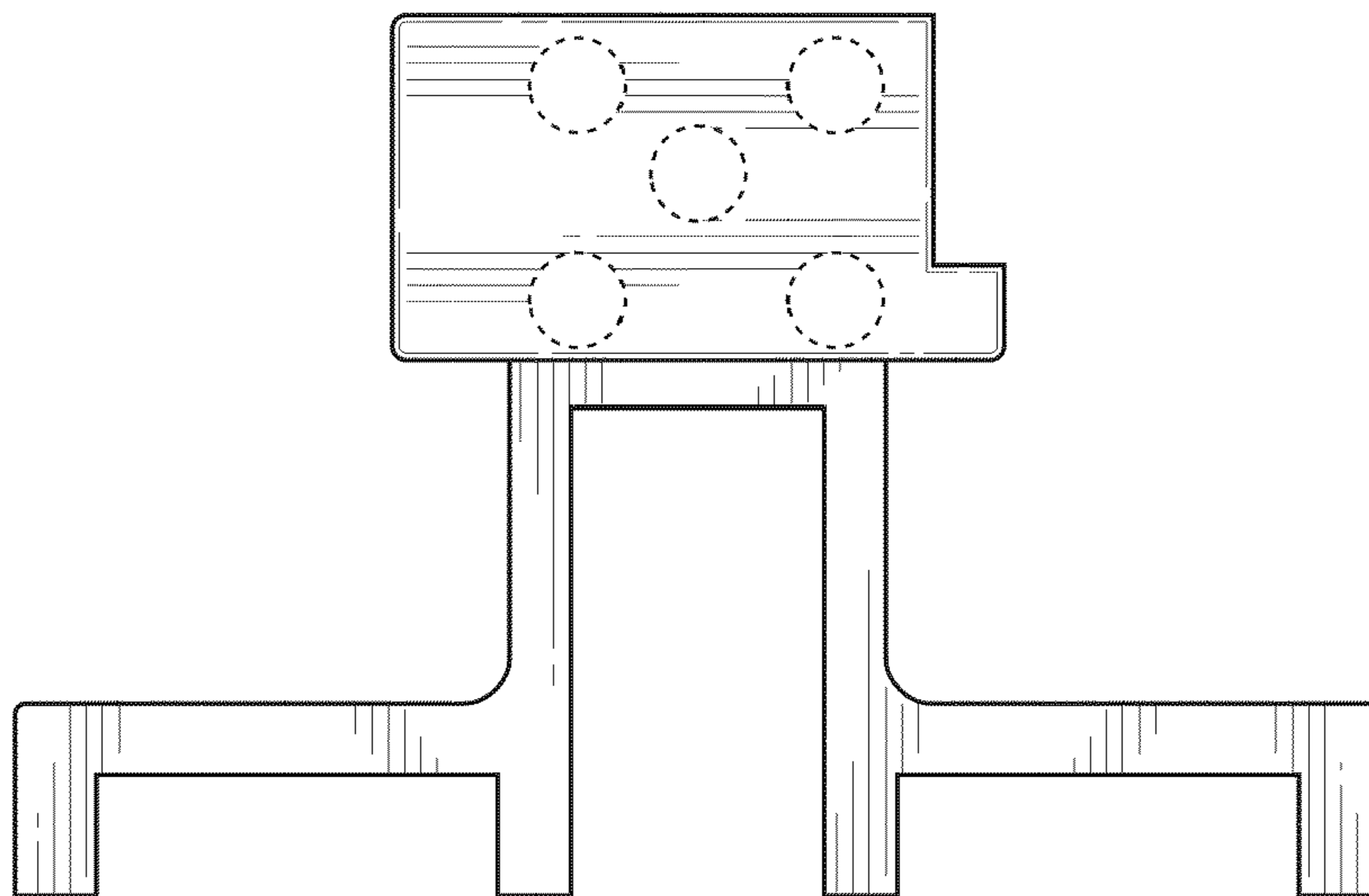


FIG. 6

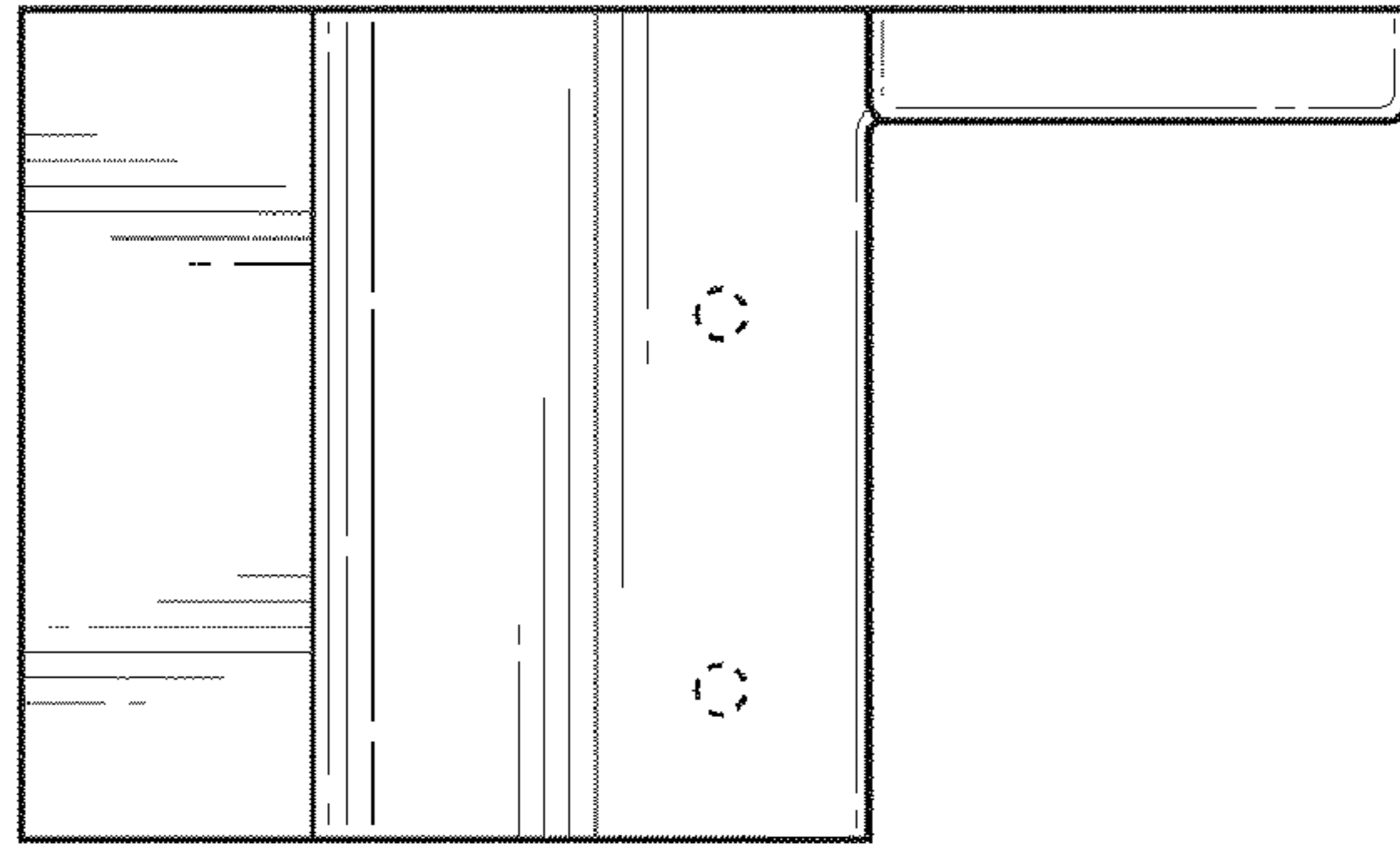


FIG. 7

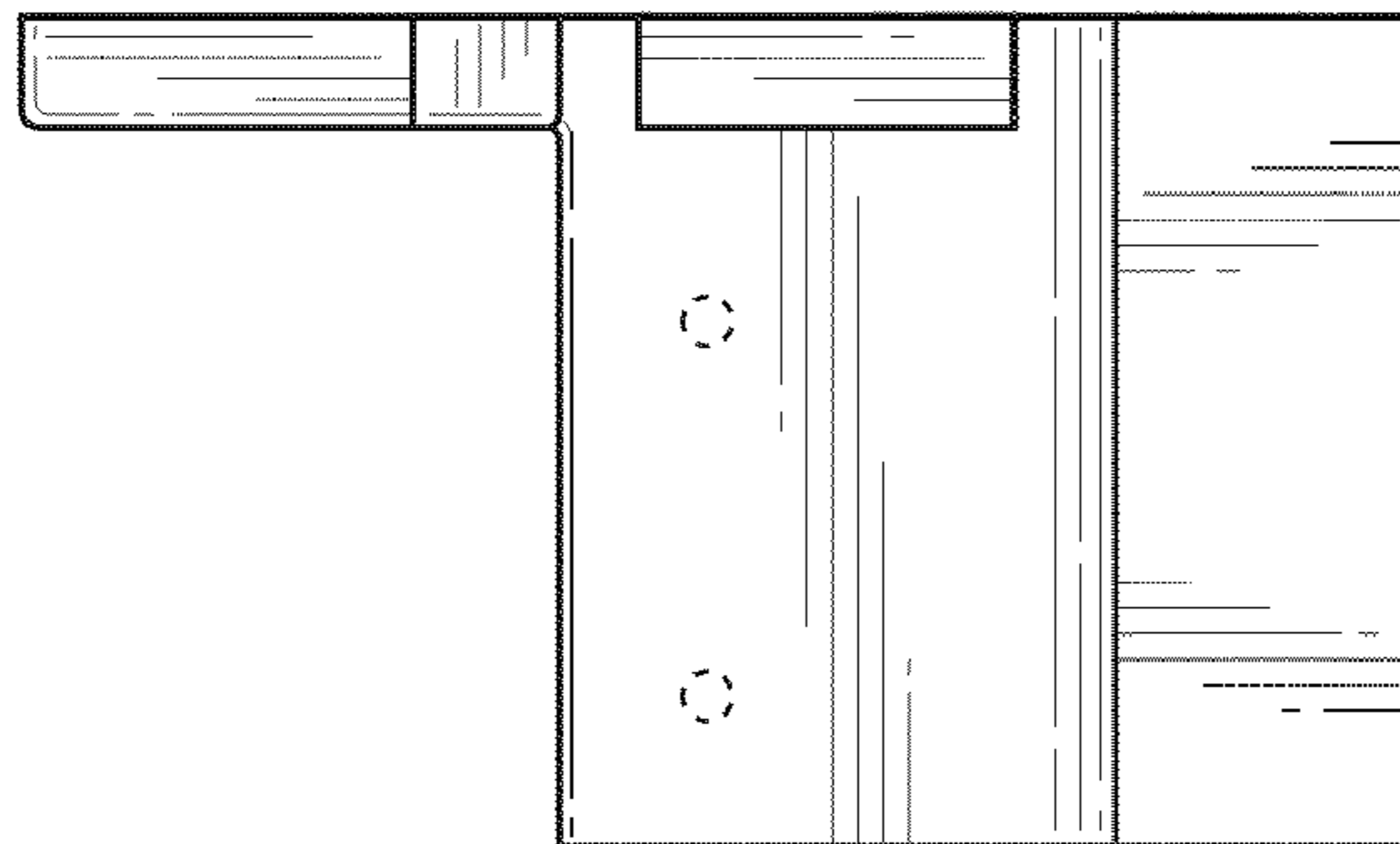


FIG. 8