



US00D639736S

(12) **United States Design Patent**  
**Su**

(10) **Patent No.:** **US D639,736 S**

(45) **Date of Patent:** **\*\* Jun. 14, 2011**

(54) **POWER ADAPTER**

(75) Inventor: **Jung-Chi Su**, Taipei (TW)

(73) Assignee: **Kerio Technologies, Inc.**, Taipei (TW)

(\*\*) Term: **14 Years**

(21) Appl. No.: **29/364,280**

(22) Filed: **Jun. 21, 2010**

(51) **LOC (9) Cl.** ..... **13-02**

(52) **U.S. Cl.** ..... **D13/110**

(58) **Field of Classification Search** ..... D13/110,  
D13/107, 108, 123, 133, 137.1, 199; 174/53,  
174/54, 59, 61; 307/150, 151; 320/111,  
320/114; 363/140, 142, 143, 146; 439/105,  
439/166, 171-173, 218, 518, 692, 956  
See application file for complete search history.

(56) **References Cited**

**U.S. PATENT DOCUMENTS**

D327,050	S	*	6/1992	Zirinsky	.....	D13/110
5,648,712	A	*	7/1997	Hahn	.....	320/111
D383,115	S	*	9/1997	Nagele et al.	.....	D13/110
5,973,948	A	*	10/1999	Hahn et al.	.....	363/146
6,086,395	A	*	7/2000	Lloyd et al.	.....	439/172
D446,499	S	*	8/2001	Andre et al.	.....	D13/110

D484,853	S	*	1/2004	Alviar	.....	D13/110
D494,541	S	*	8/2004	Hriscu et al.	.....	D13/110
D503,679	S	*	4/2005	Andre et al.	.....	D13/110
D554,584	S	*	11/2007	Feldman et al.	.....	D13/110
D570,772	S	*	6/2008	Mahaffey et al.	.....	D13/110
D575,227	S	*	8/2008	So	.....	D13/110
D576,100	S	*	9/2008	Wang	.....	D13/110

\* cited by examiner

*Primary Examiner* — Stella M Reid

*Assistant Examiner* — Derrick Holland

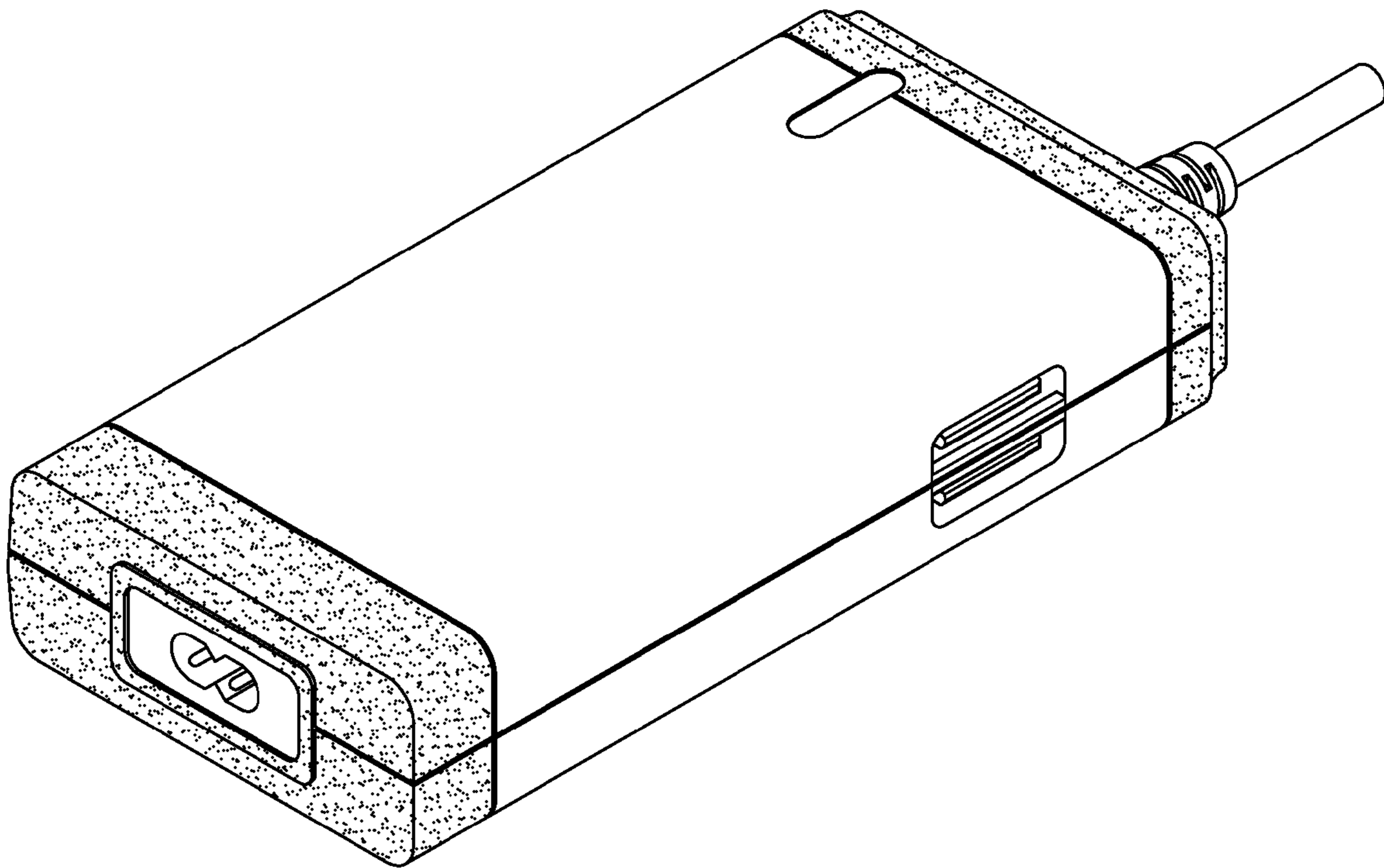
(57) **CLAIM**

The ornamental design for a power adapter, as shown and described.

**DESCRIPTION**

FIG. 1 is a perspective view of a power adapter, FIG. 2 is a front elevational view thereof; FIG. 3 is a rear elevational view thereof; FIG. 4 is a left side elevational view thereof; FIG. 5 is a right side elevational view thereof; FIG. 6 is a top plan view thereof; and, FIG. 7 is a bottom plan view thereof. The broken lines in FIGS. 1-7 are for illustrative purposes only and form no part of the claimed design.

**1 Claim, 6 Drawing Sheets**



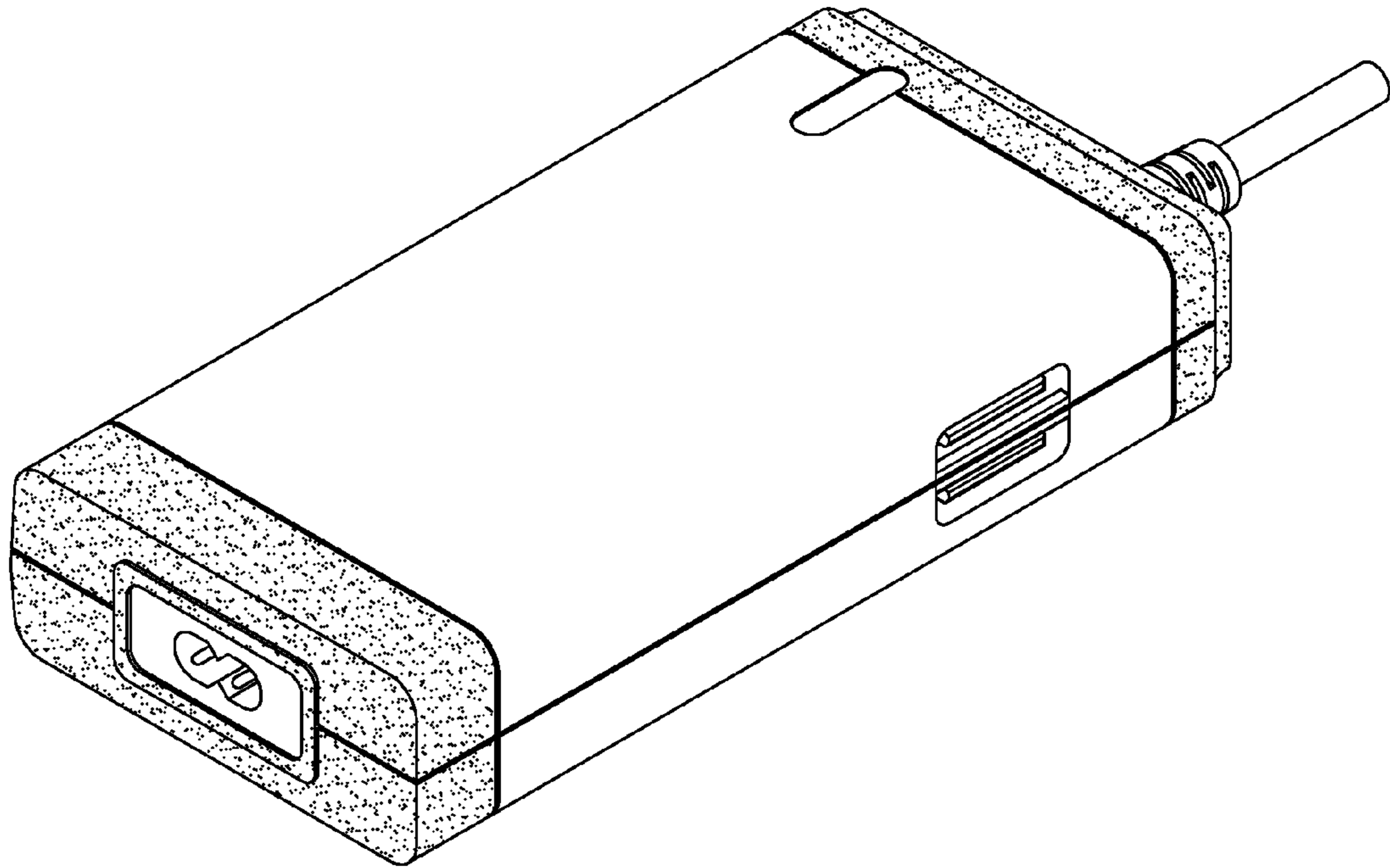


FIG. 1

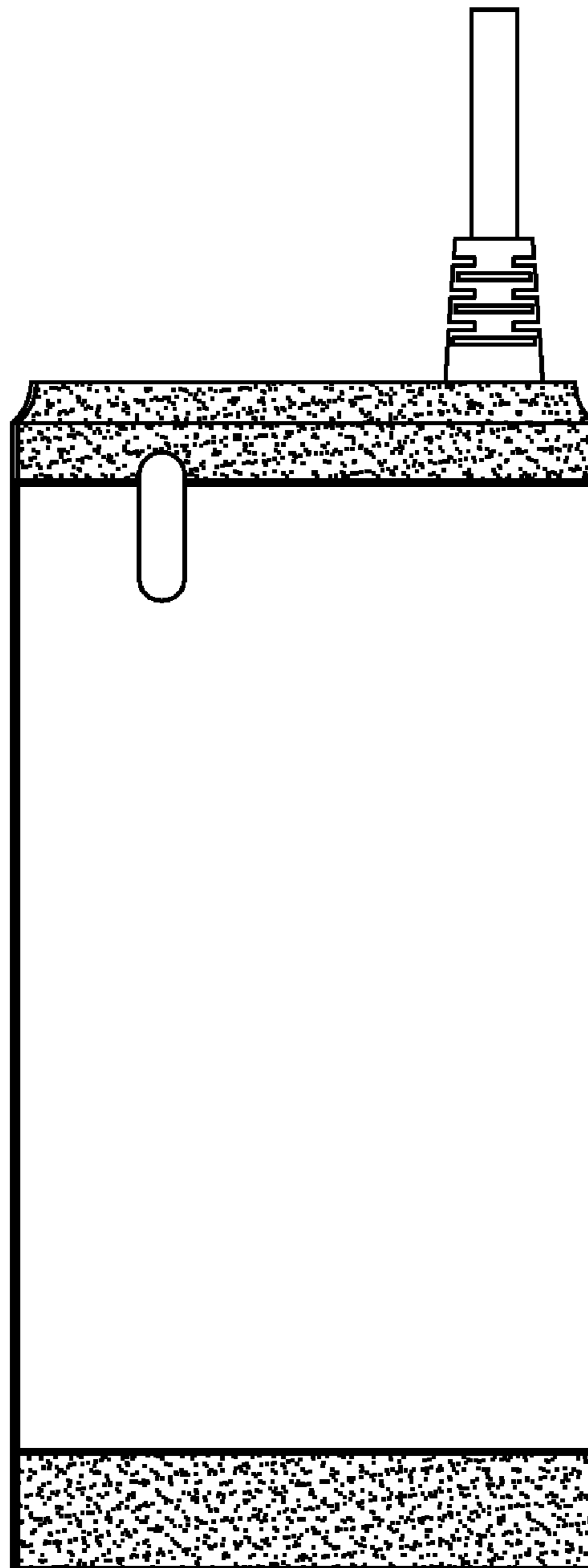


FIG. 2

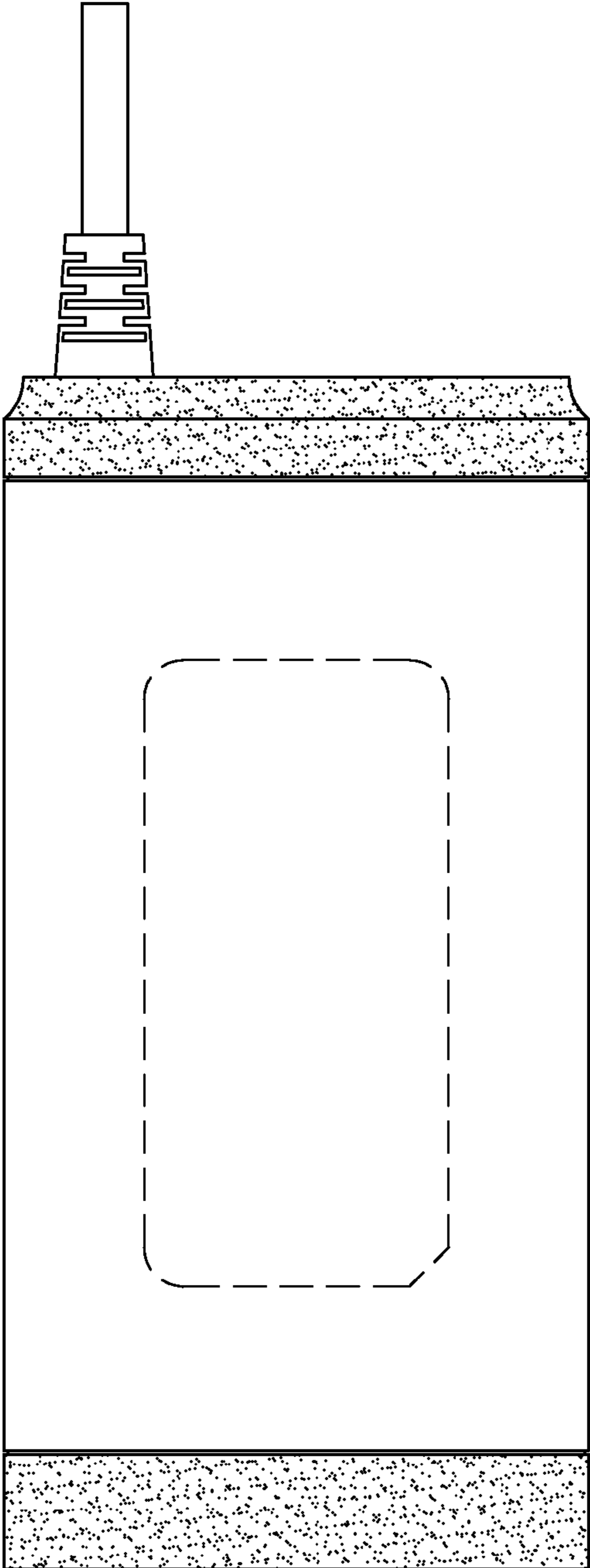


FIG. 3

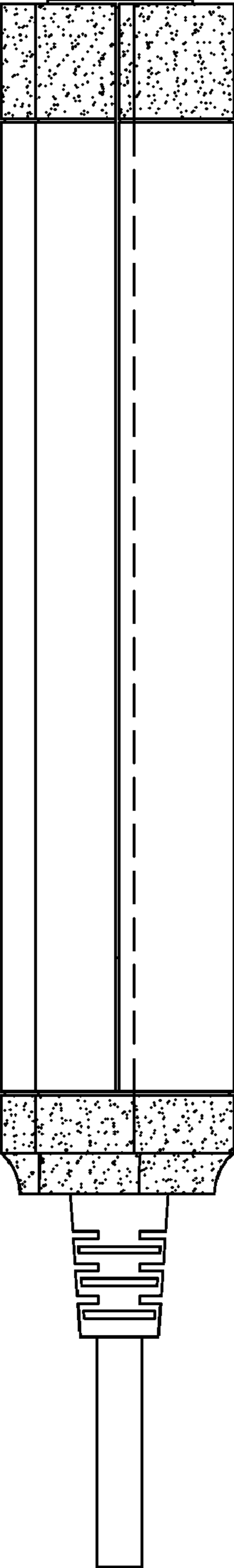


FIG. 4

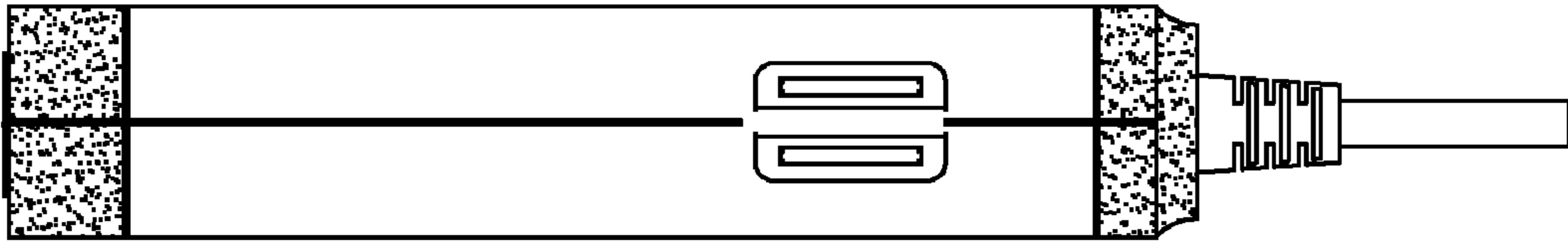


FIG. 5

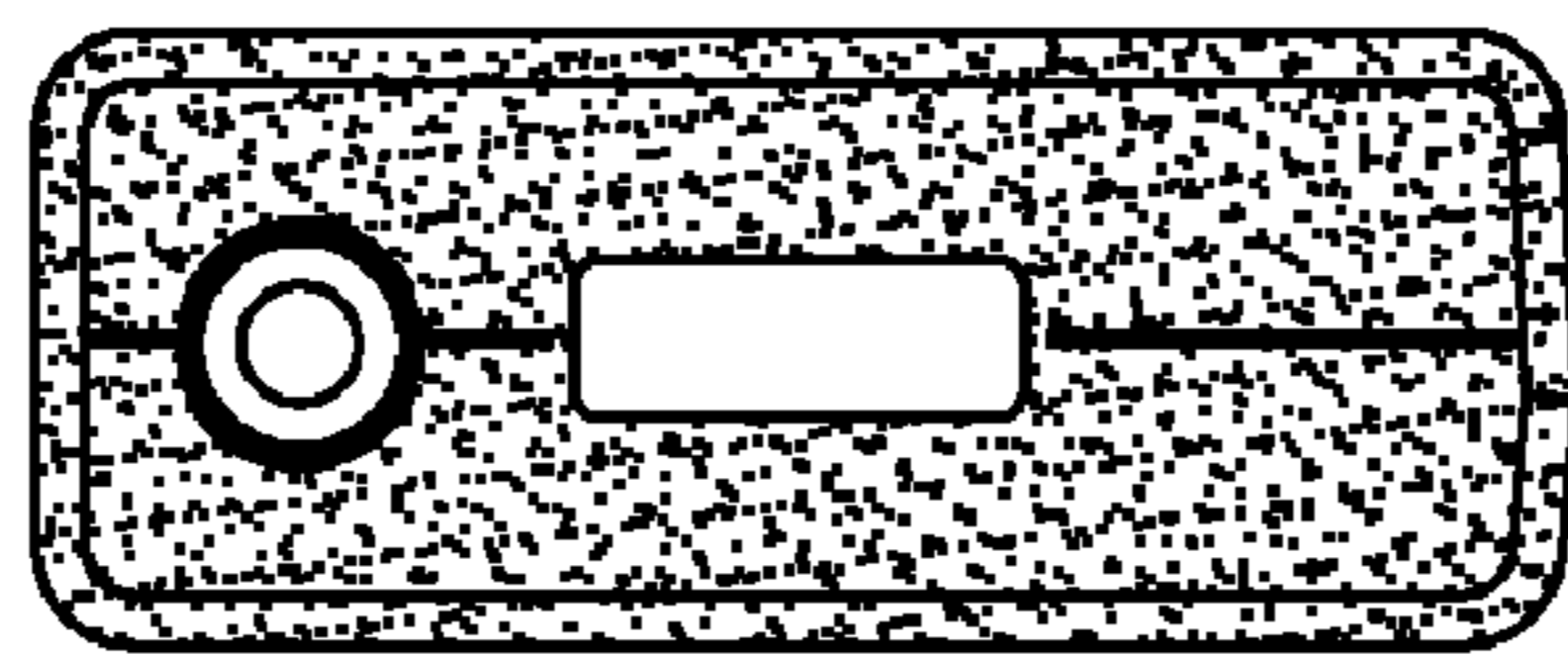


FIG. 6

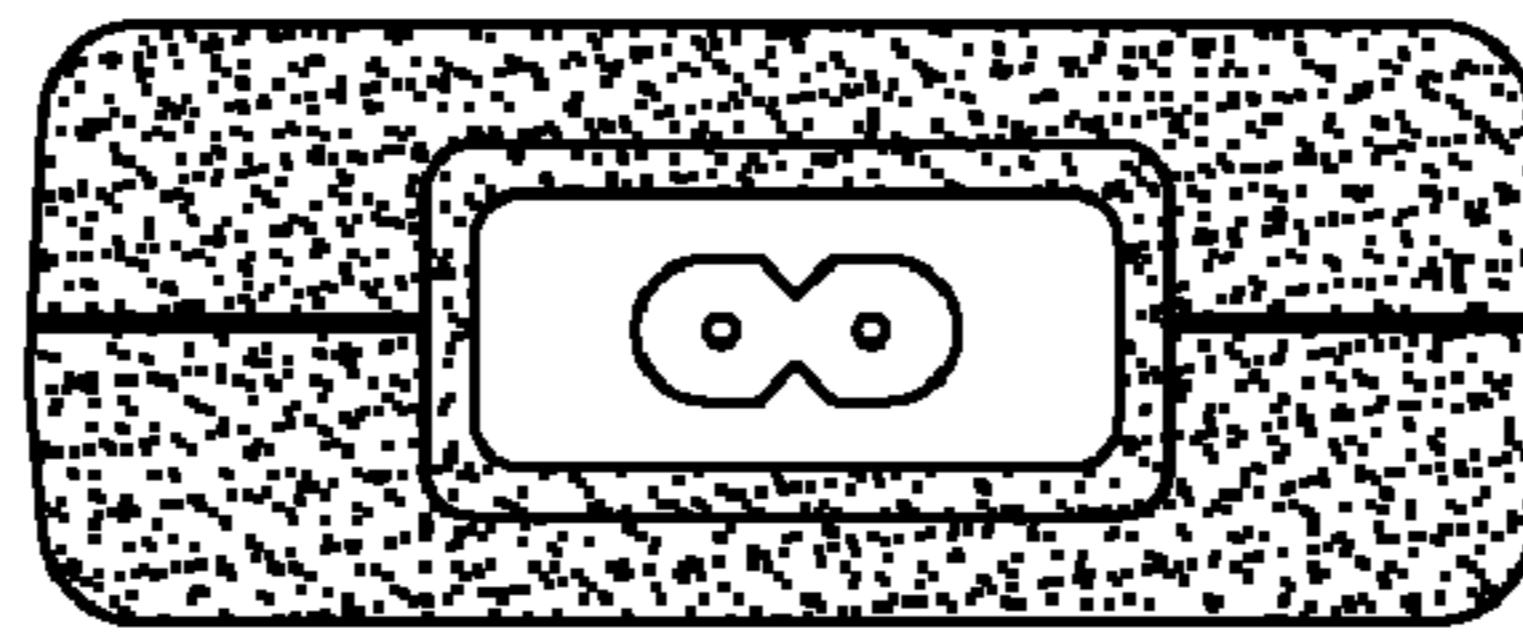


FIG. 7