



US00D639735S

(12) **United States Design Patent**
Lee et al.

(10) **Patent No.:** **US D639,735 S**
(45) **Date of Patent:** **** Jun. 14, 2011**

(54) **CHARGER FOR VACUUM CLEANER**

(75) Inventors: **Jong Hyub Lee**, Seoul (KR); **Deoksang Yun**, Kyunggi-do (KR); **Min Hyoug Boo**, Seoul (KR)

(73) Assignee: **Samsung Electronics Co., Ltd.**, Suwon-Si (KR)

(**) Term: **14 Years**

(21) Appl. No.: **29/382,548**

(22) Filed: **Jan. 5, 2011**

(51) **LOC (9) Cl.** **13-02**

(52) **U.S. Cl.** **D13/108; D32/31**

(58) **Field of Classification Search** D13/107-110,
D13/118-119, 184, 199; D32/25, 31; 320/107-115;
15/300.1, 344-345, 323; D14/251, 253,
D14/432, 434

See application file for complete search history.

(56) **References Cited**

U.S. PATENT DOCUMENTS

D285,920 S * 9/1986 Kitakaze D14/260
D384,044 S * 9/1997 Tanimura D14/434
D421,424 S * 3/2000 Lee et al. D14/434
D423,473 S * 4/2000 Iwamoto D14/434

D428,007 S * 7/2000 Yamamoto et al. D14/356
D474,735 S * 5/2003 Lee D13/108
D510,066 S * 9/2005 Hickey et al. D13/108
7,332,890 B2 * 2/2008 Cohen et al. 320/109
D588,059 S * 3/2009 Fujita et al. D13/108
D621,405 S * 8/2010 Waite et al. D14/434
D628,961 S * 12/2010 Kim et al. D13/108
2005/0017681 A1 * 1/2005 Ogishima et al. 320/112
2007/0267998 A1 * 11/2007 Cohen et al. 320/109

* cited by examiner

Primary Examiner — Rosemary K Tarcza

(74) *Attorney, Agent, or Firm* — Ladas & Parry LLP

(57) **CLAIM**

We claim the ornamental design for a charger for vacuum cleaner, as shown.

DESCRIPTION

FIG. 1 is a front/right-side/top perspective view of a charger for vacuum cleaner showing our new design; FIG. 2 is a front-side elevational view thereof; FIG. 3 is a rear-side elevational view thereof; FIG. 4 is a left-side elevational view thereof; FIG. 5 is a right-side elevational view thereof; FIG. 6 is a top plan view thereof; and, FIG. 7 is a bottom plan view thereof.

1 Claim, 5 Drawing Sheets

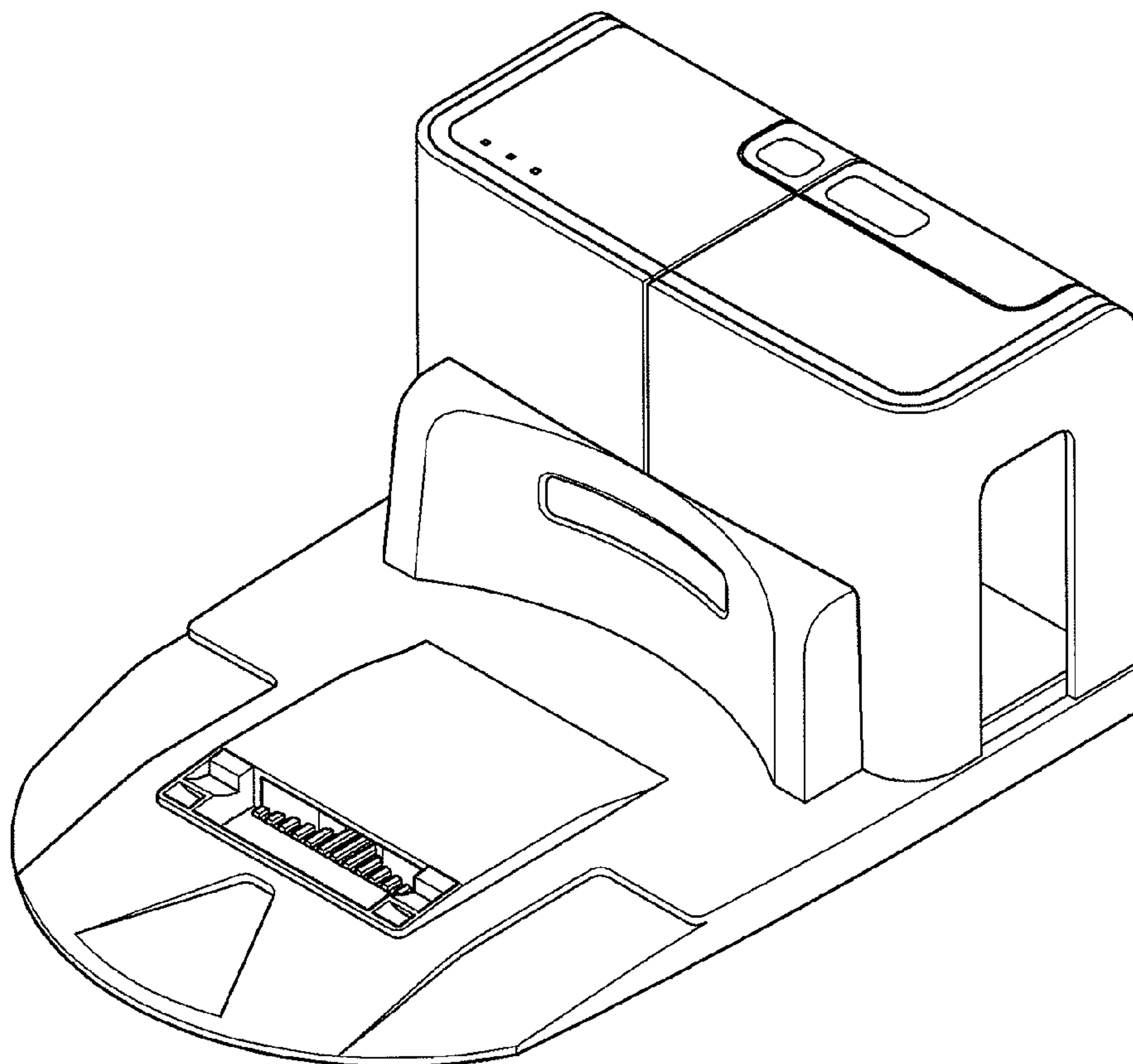


FIG. 1

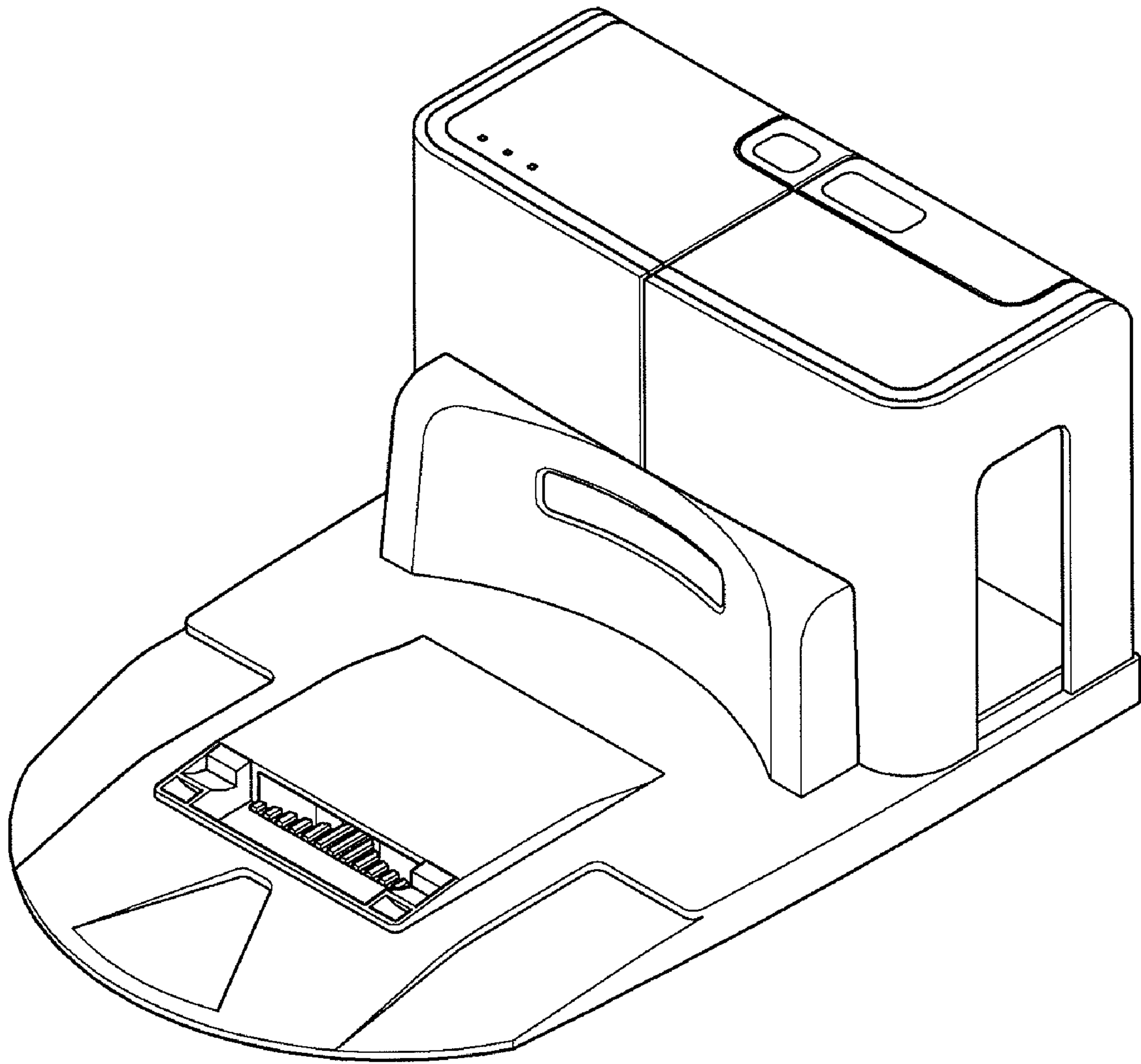


FIG. 2

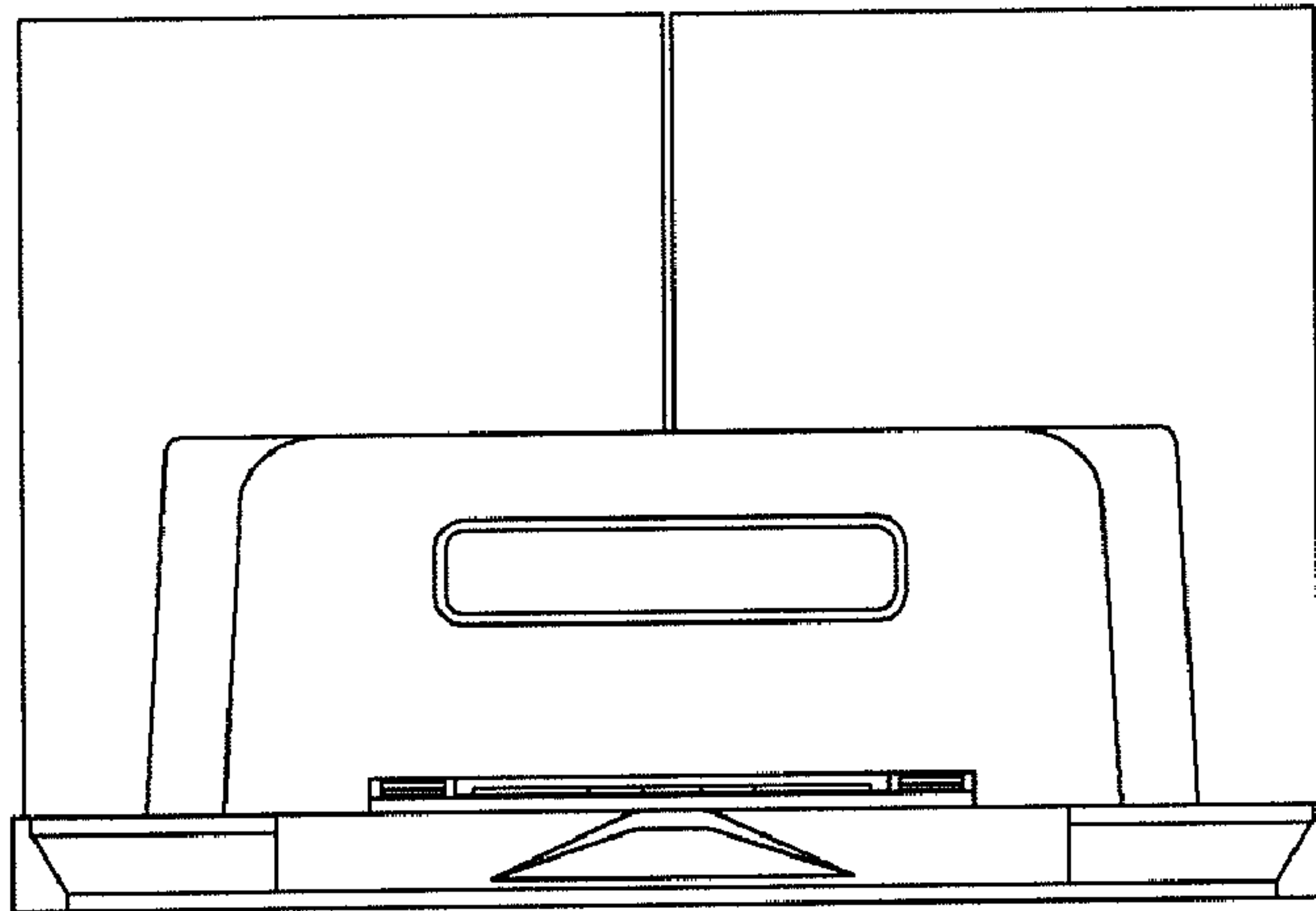


FIG. 3

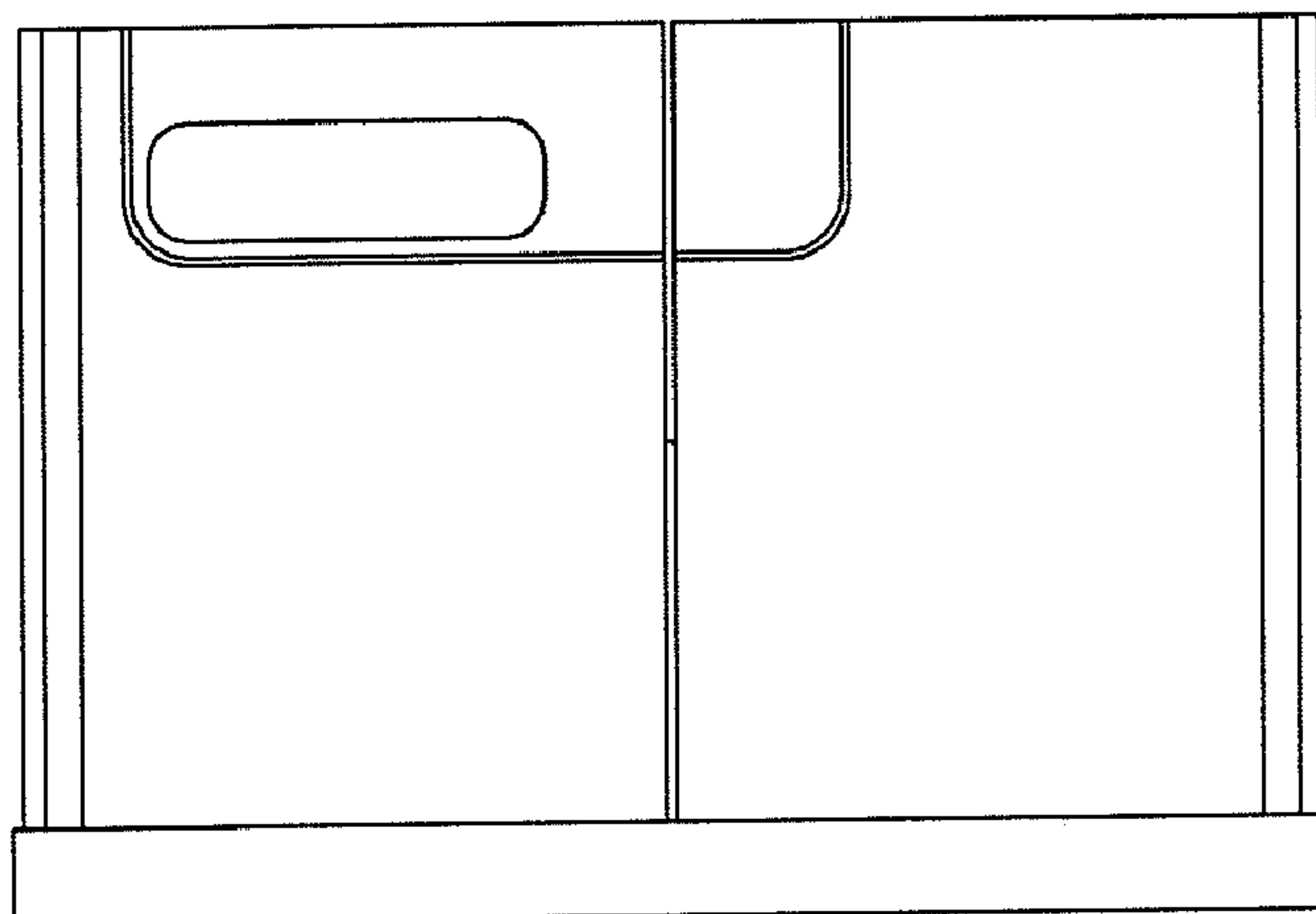


FIG. 4

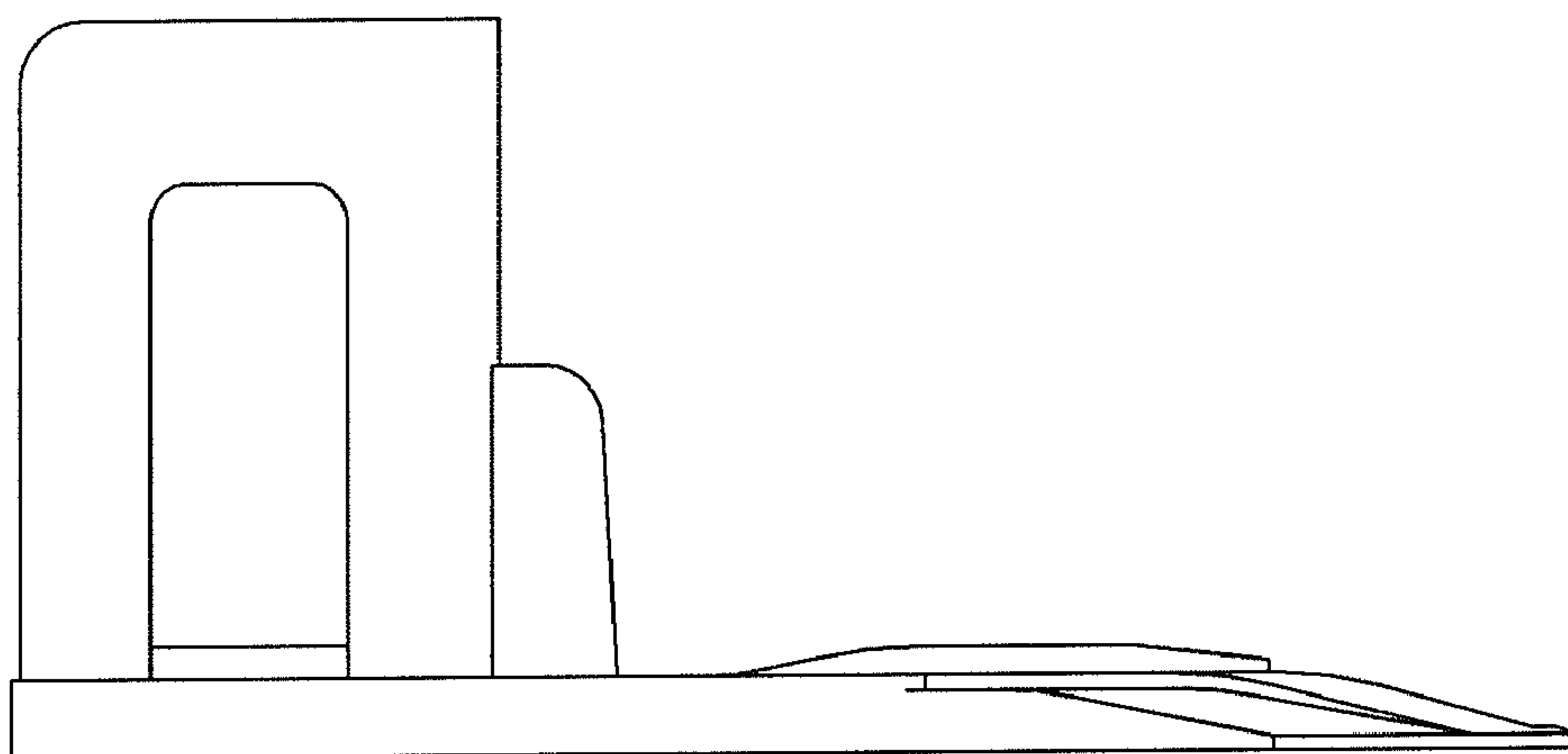


FIG. 5

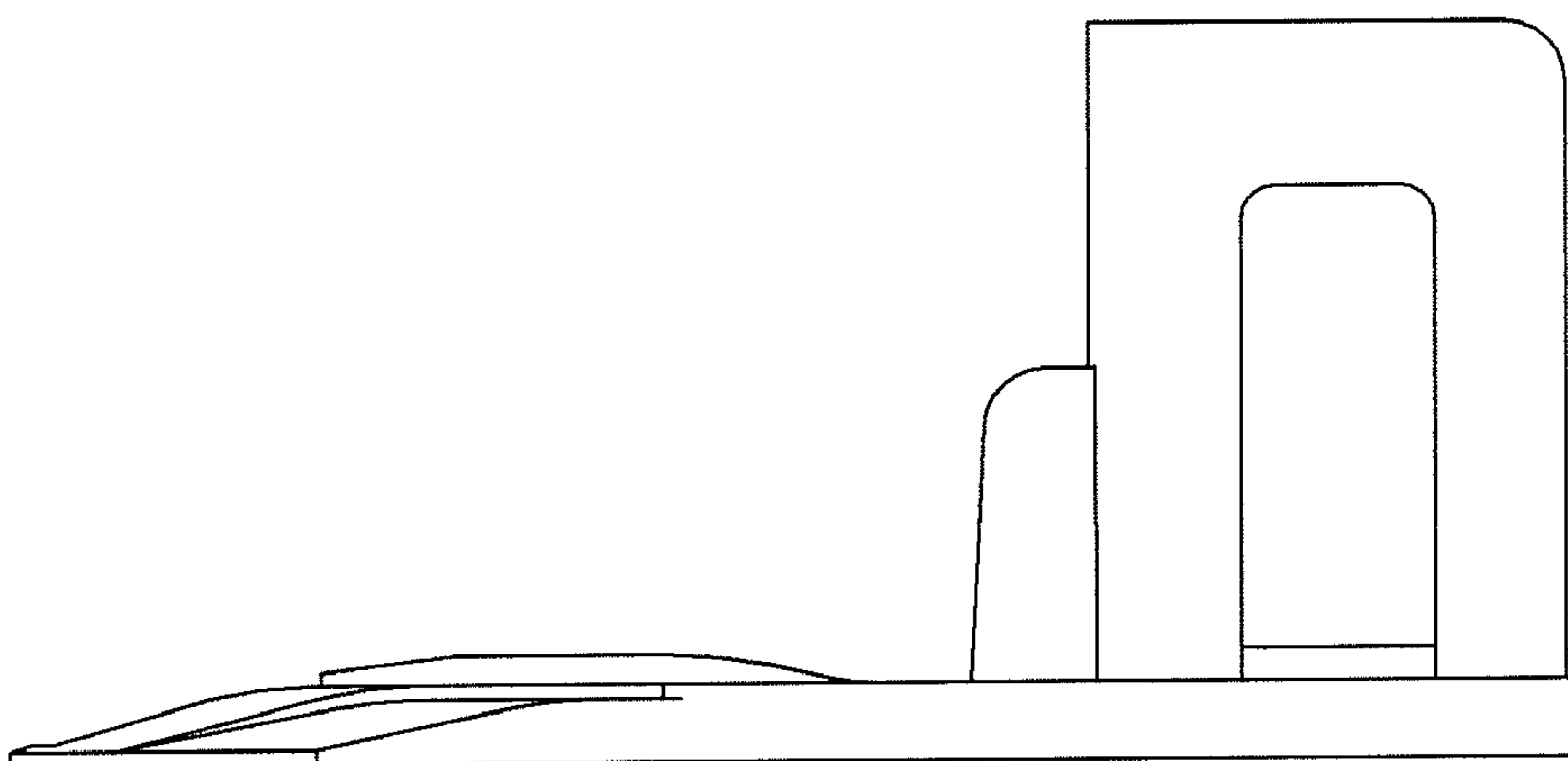


FIG. 6

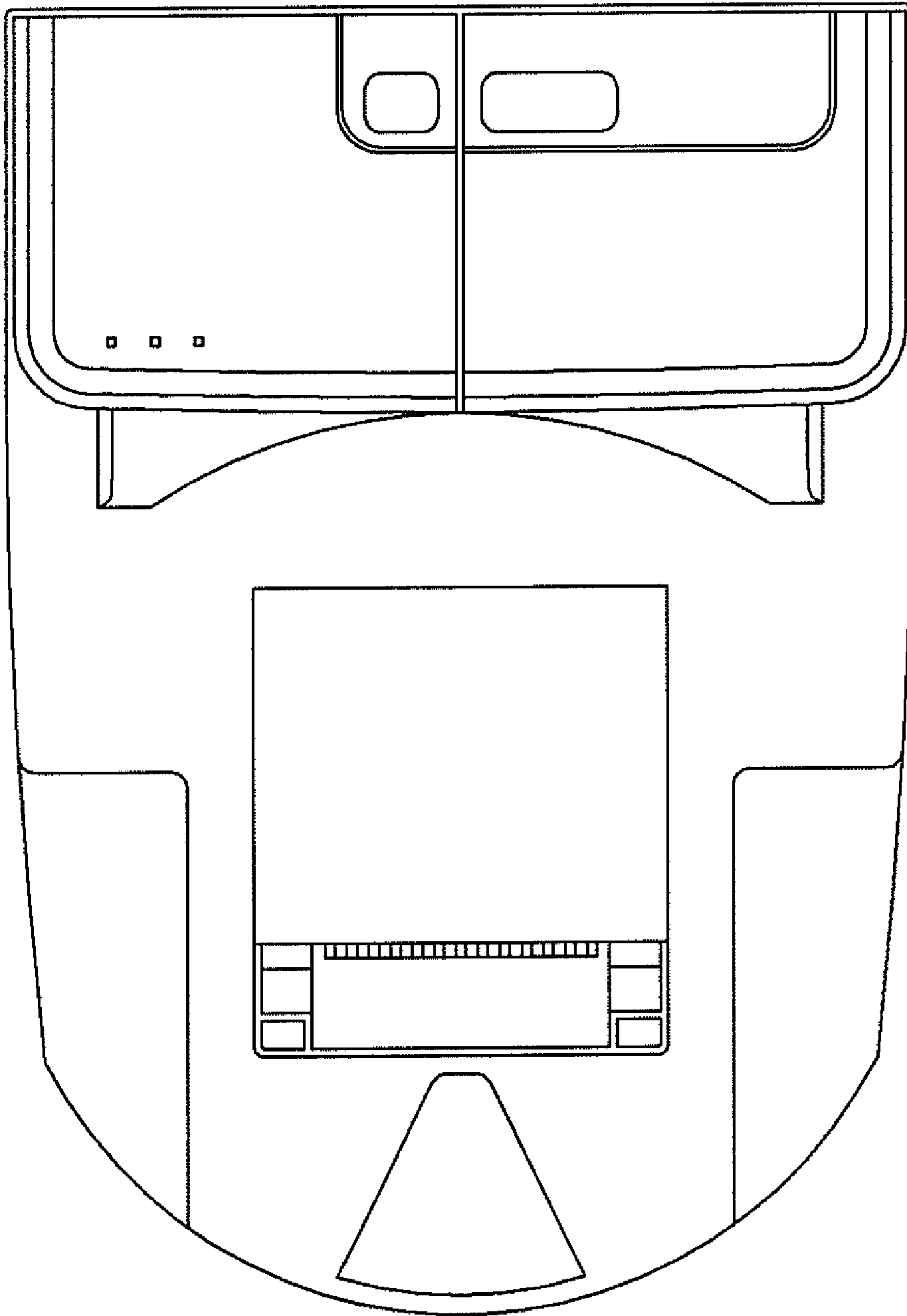


FIG. 7

