

US00D639731S

(12) **United States Design Patent**
Sun

(10) **Patent No.:** **US D639,731 S**

(45) **Date of Patent:** **** Jun. 14, 2011**

(54) **EXTERNAL BATTERY**

(75) Inventor: **Zhongwei Sun**, Guangdong (CN)

(73) Assignee: **Freda Chu**, Zhangshanzi Town,
Taierzhuang, Zaozhuang, Shandong (CN)

(**) Term: **14 Years**

(21) Appl. No.: **29/381,398**

(22) Filed: **Dec. 18, 2010**

(30) **Foreign Application Priority Data**

Oct. 26, 2010 (CN) 2010 3 0578234

(51) **LOC (9) Cl.** **13-02**

(52) **U.S. Cl.** **D13/103**

(58) **Field of Classification Search** D13/102-110,
D13/118-121, 184, 199; 429/96-100, 149,
429/159, 163, 176, 177.186, 463; D14/250,
D14/251, 253, 432, 434; D3/201, 215, 218,
D3/226, 230, 299; 320/101-102, 107-115;
206/320, 701

See application file for complete search history.

(56) **References Cited**

U.S. PATENT DOCUMENTS

D267,795 S * 2/1983 Mallon D13/119
D460,411 S * 7/2002 Wang D13/103
D495,992 S * 9/2004 Lim D13/103

D535,252 S * 1/2007 Sandnes D13/108
D600,640 S * 9/2009 Stein et al. D13/103
D601,955 S * 10/2009 Ekmekdje D13/108
D601,959 S * 10/2009 Lee et al. D13/119
D601,960 S * 10/2009 Dai D13/119
D607,817 S * 1/2010 Tan D13/108
D616,360 S * 5/2010 Huang D13/103
D616,361 S * 5/2010 Huang D13/103
2008/0053770 A1 * 3/2008 Tynyk 190/100
2009/0051319 A1 * 2/2009 Fang et al. 320/115
2009/0186264 A1 * 7/2009 Huang 429/96
2009/0314400 A1 * 12/2009 Liu 150/165
2010/0315041 A1 * 12/2010 Tan 320/115

* cited by examiner

Primary Examiner — Rosemary K Tarcza

(74) *Attorney, Agent, or Firm* — Global IP Services; Tianhua Gu

(57) **CLAIM**

The ornamental design for an external battery, as shown and described.

DESCRIPTION

FIG. 1 is a front elevation view of an external battery showing my new design;

FIG. 2 is a rear elevation view thereof;

FIG. 3 is a right side elevation view thereof;

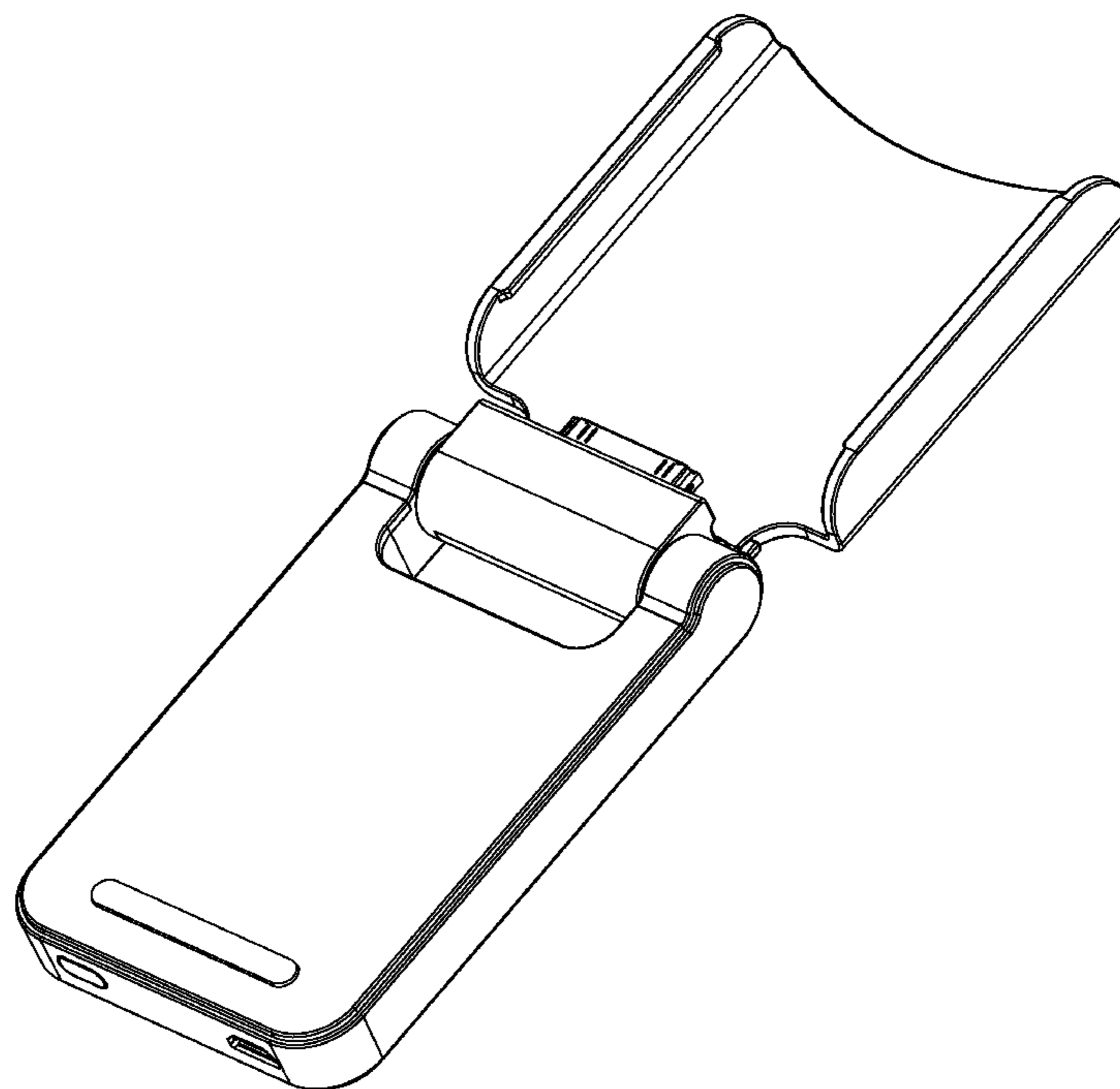
FIG. 4 is a left side elevation view thereof;

FIG. 5 is a top plan view thereof;

FIG. 6 is a bottom plan view thereof; and,

FIG. 7 is a right front side perspective view thereof.

1 Claim, 7 Drawing Sheets



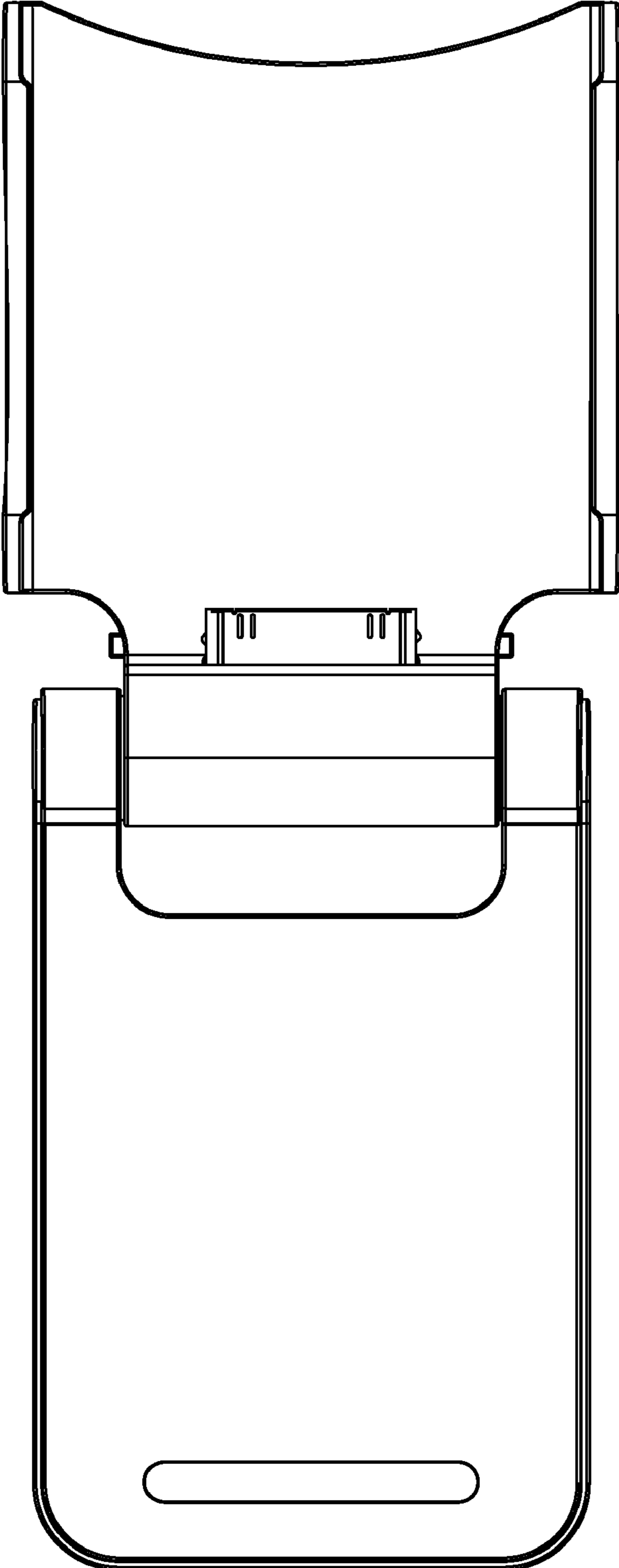


Fig. 1

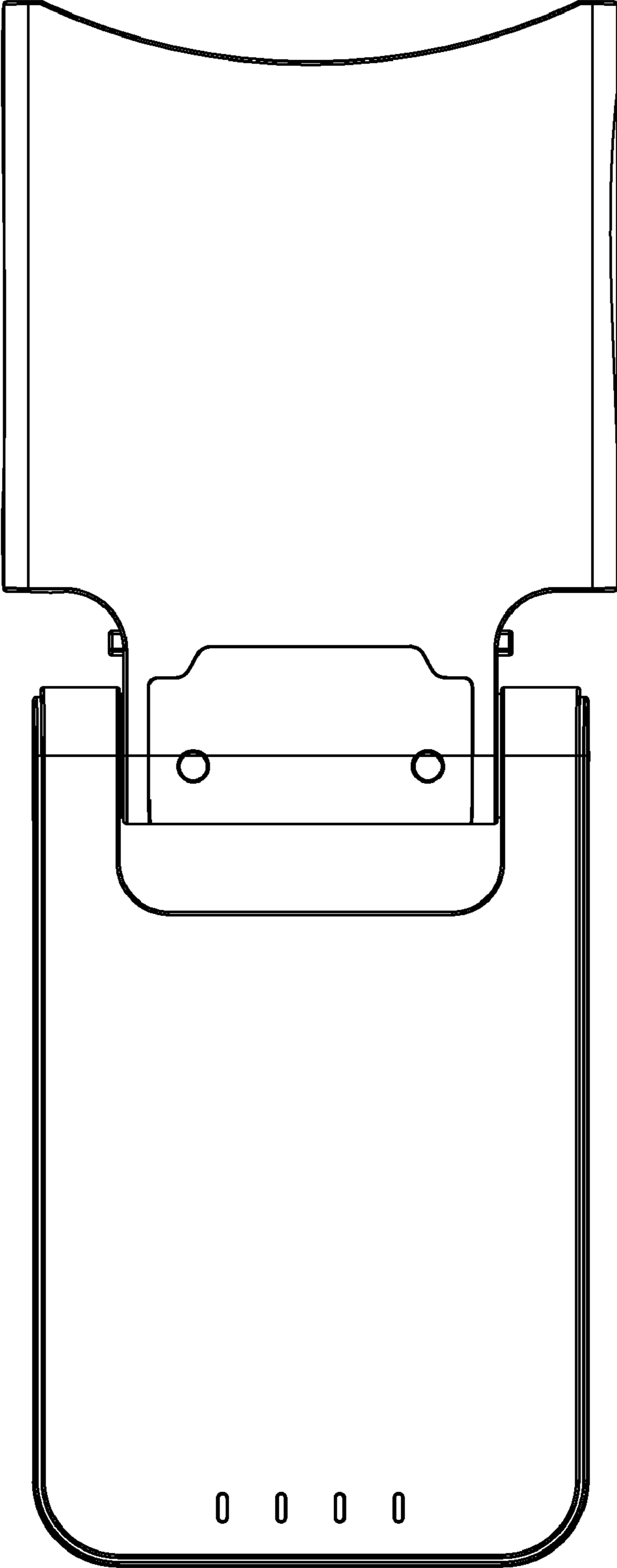


Fig. 2

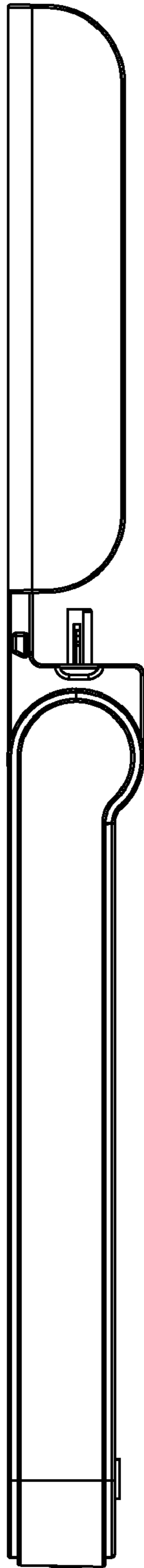


Fig. 3

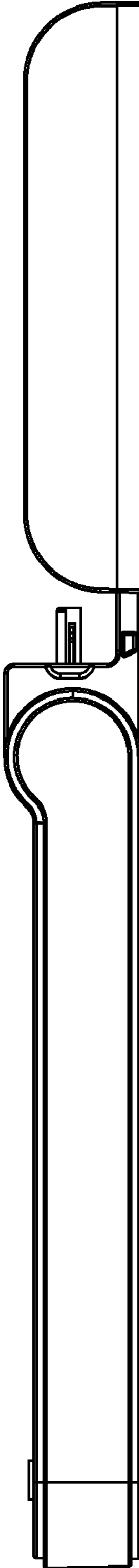


Fig. 4

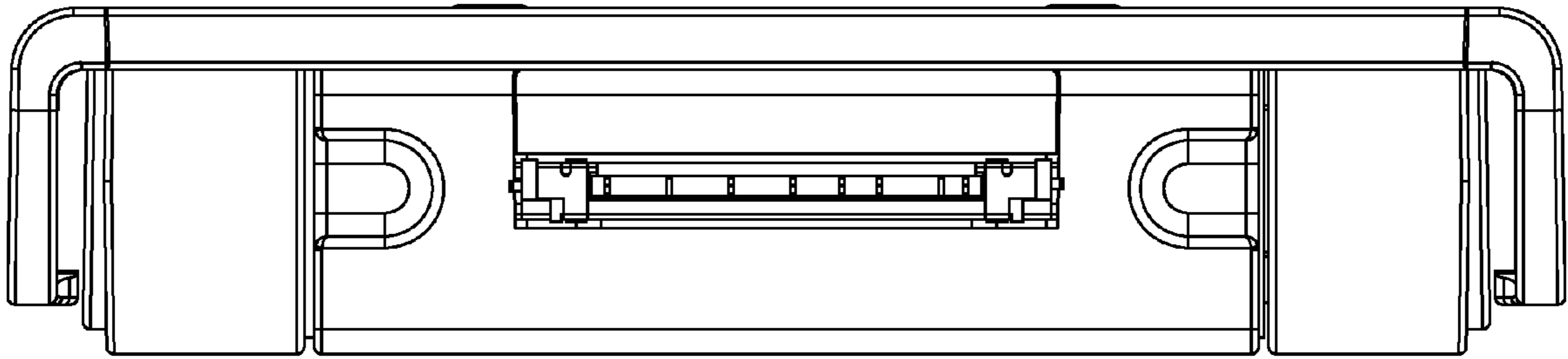


Fig. 5

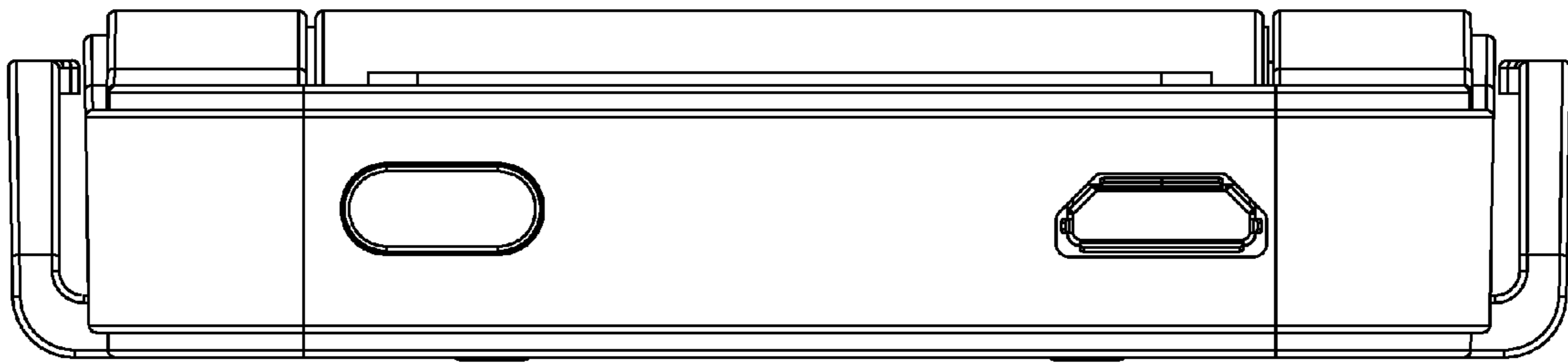


Fig. 6

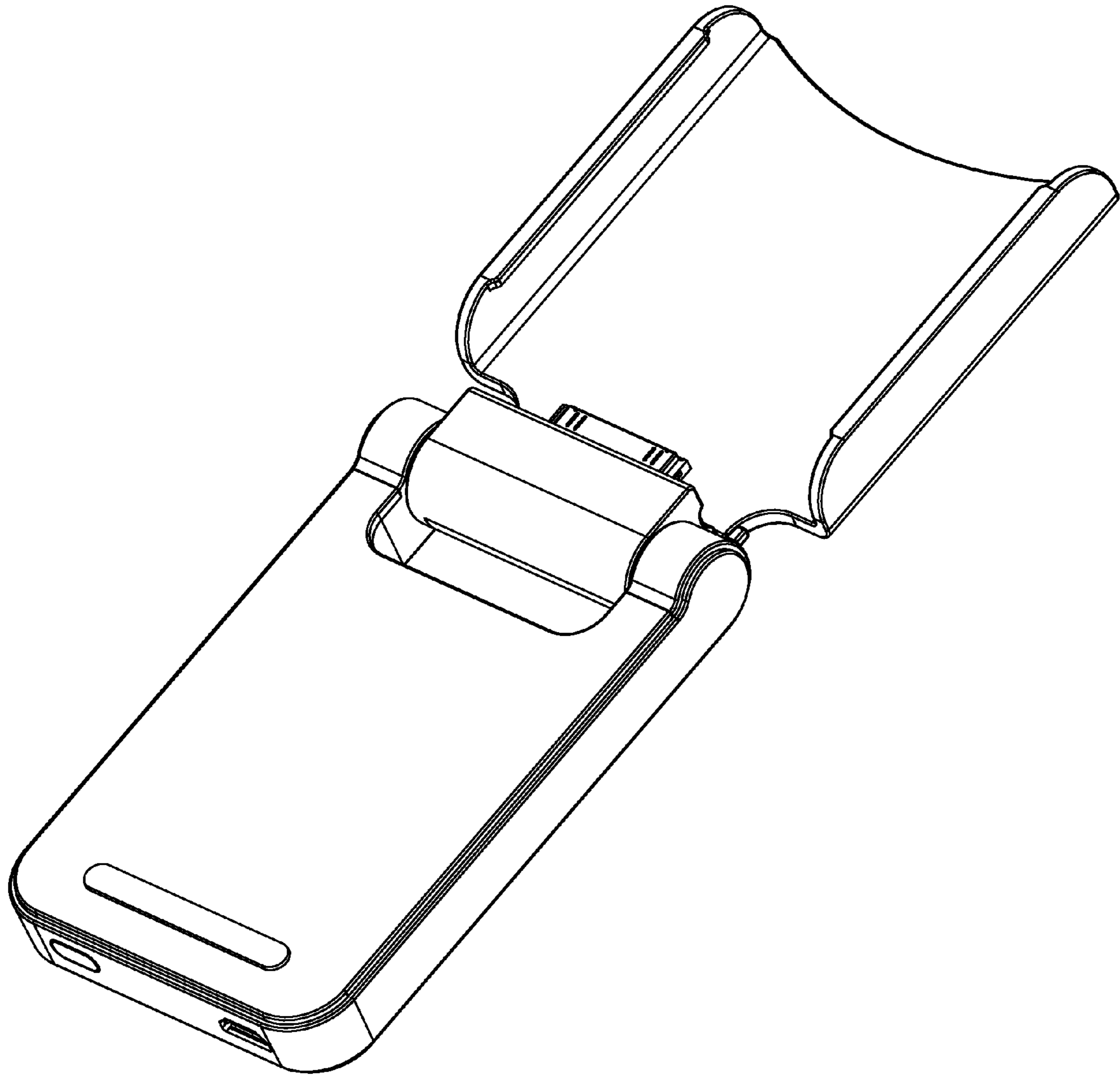


Fig. 7