



US00D639730S

(12) **United States Design Patent**  
**Kawase**

(10) **Patent No.:** **US D639,730 S**

(45) **Date of Patent:** **\*\* Jun. 14, 2011**

(54) **RECHARGEABLE BATTERY**

(75) Inventor: **Tomonori Kawase**, Aichi (JP)

(73) Assignee: **Makita Corporation**, Anjo-shi (JP)

(\*\*) Term: **14 Years**

(21) Appl. No.: **29/381,185**

(22) Filed: **Dec. 16, 2010**

(30) **Foreign Application Priority Data**

Aug. 31, 2010 (JP) ..... 2010-021007

(51) **LOC (9) Cl.** ..... **13-02**

(52) **U.S. Cl.** ..... **D13/103**

(58) **Field of Classification Search** ..... D13/102-106,  
D13/110, 118-121, 184, 199; 429/96-100,  
429/163, 176

See application file for complete search history.

(56) **References Cited**

**U.S. PATENT DOCUMENTS**

D436,917 S *	1/2001	Hayakawa et al. ....	D13/103
D477,811 S *	7/2003	Niwa et al. ....	D13/103
D481,672 S *	11/2003	Niwa et al. ....	D13/103
D512,961 S *	12/2005	Okuda et al. ....	D13/103
D516,504 S *	3/2006	Okuda et al. ....	D13/103
D523,807 S *	6/2006	Murayama et al. ....	D13/103

D545,759 S *	7/2007	Ino et al. ....	D13/103
D550,152 S *	9/2007	Okuda et al. ....	D13/103
D556,677 S *	12/2007	Watson ....	D13/103
D562,227 S *	2/2008	Yamada et al. ....	D13/103
D562,228 S *	2/2008	Okada et al. ....	D13/103
D606,935 S *	12/2009	Murayama et al. ....	D13/103
D622,661 S *	8/2010	Yamada et al. ....	D13/103

\* cited by examiner

*Primary Examiner* — Rosemary K Tarcza

(74) *Attorney, Agent, or Firm* — Posz Law Group, PLC

(57) **CLAIM**

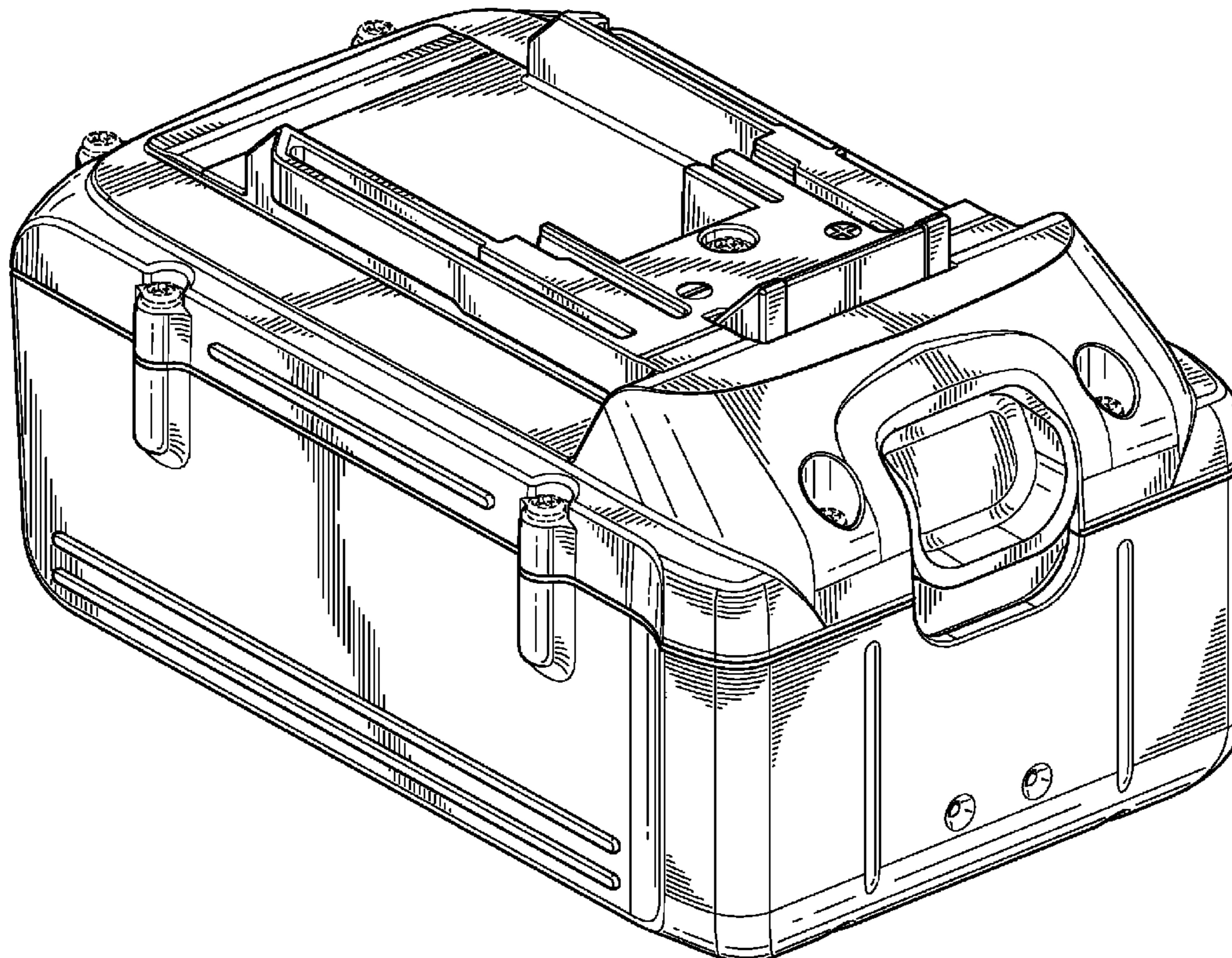
The ornamental design for a rechargeable battery, as shown and described.

**DESCRIPTION**

FIG. 1 is a perspective view of top, front, and right side of a rechargeable battery showing my new design;  
FIG. 2 is a front view thereof;  
FIG. 3 is a rear view thereof;  
FIG. 4 is a top view thereof;  
FIG. 5 is a bottom view thereof;  
FIG. 6 is a right view thereof; and,  
FIG. 7 is a left view thereof.

The broken lines and the areas within the broken lines are included for illustrative purposes only and form no part of the claimed design.

**1 Claim, 6 Drawing Sheets**



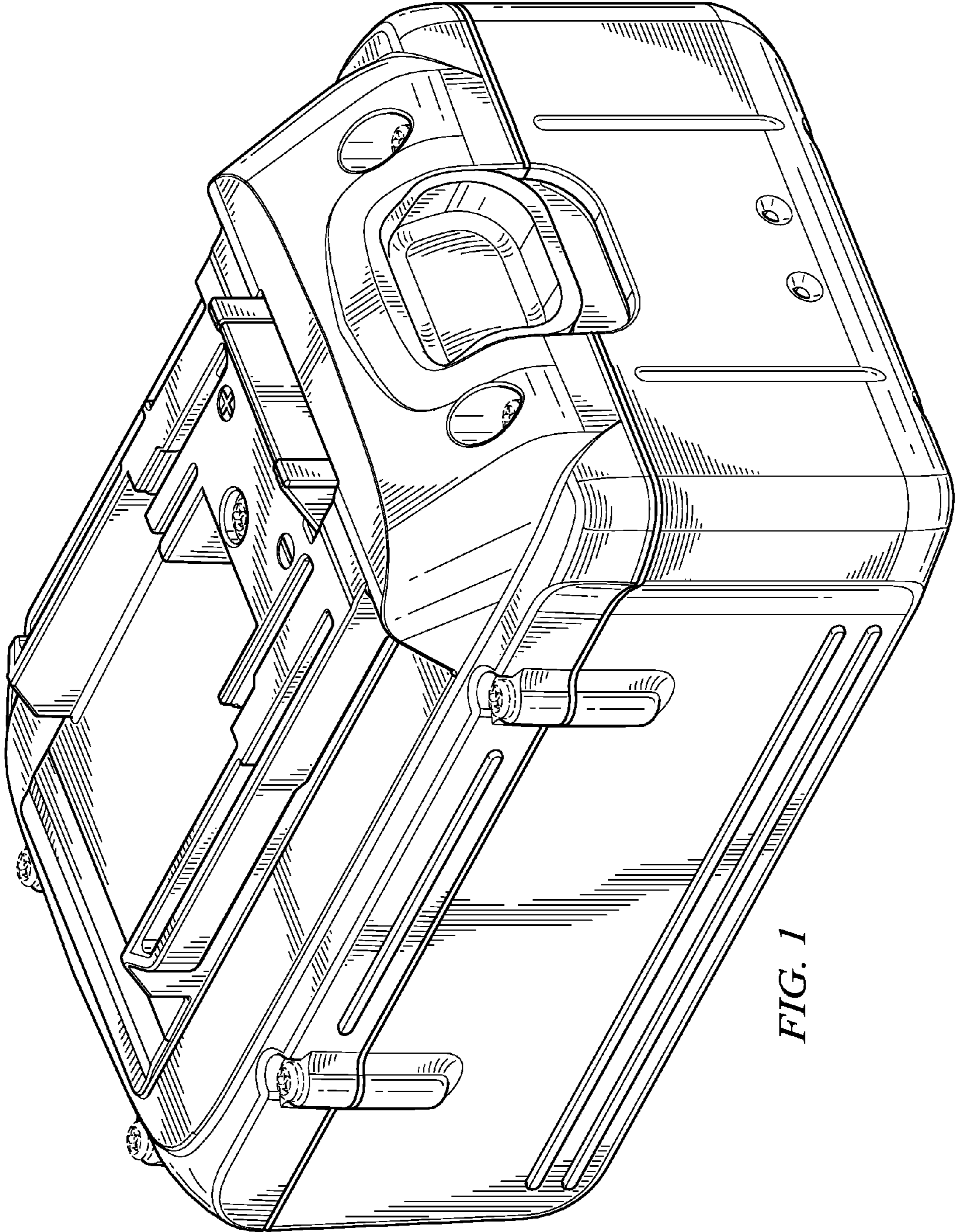


FIG. 1

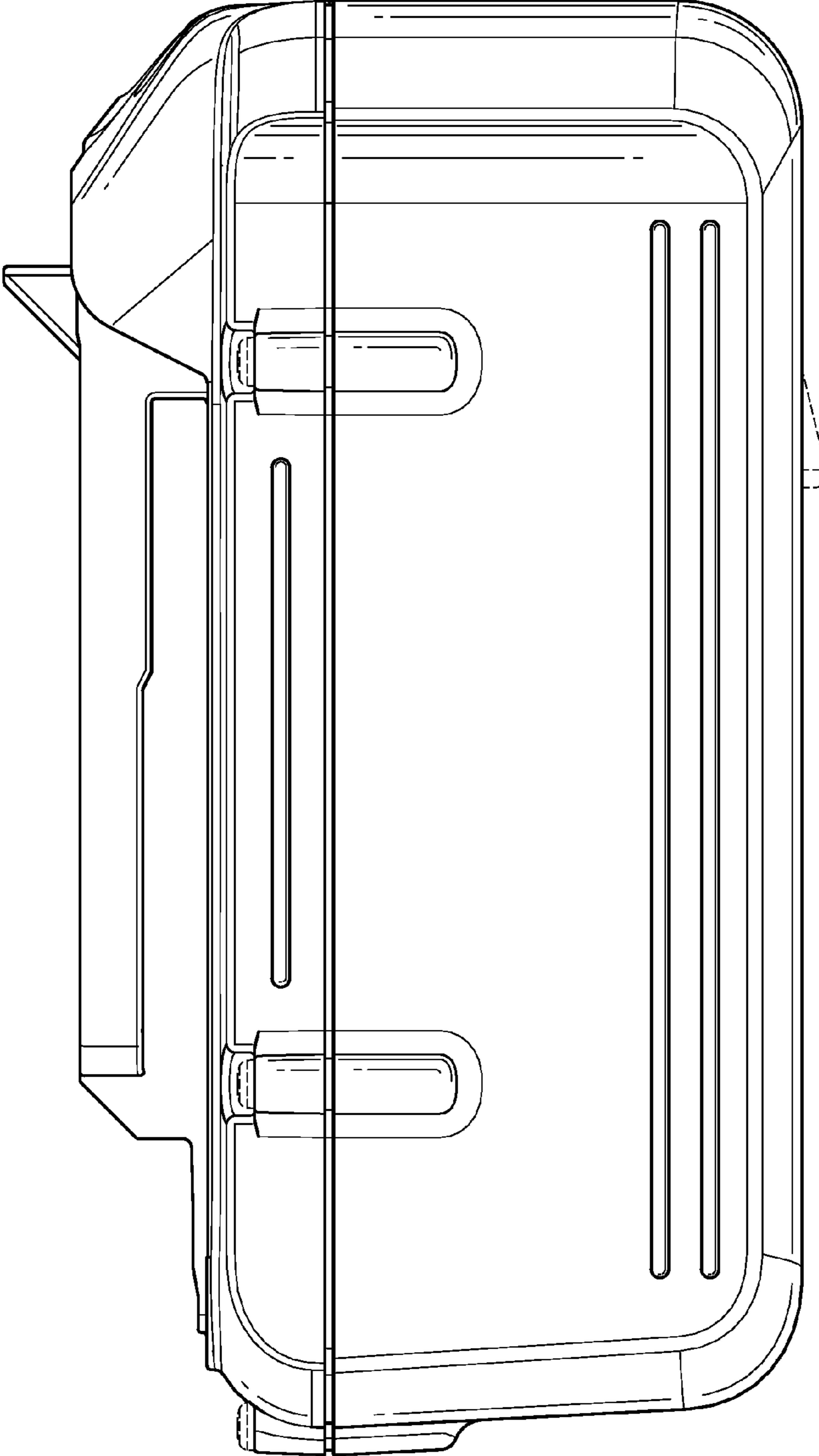


FIG. 2

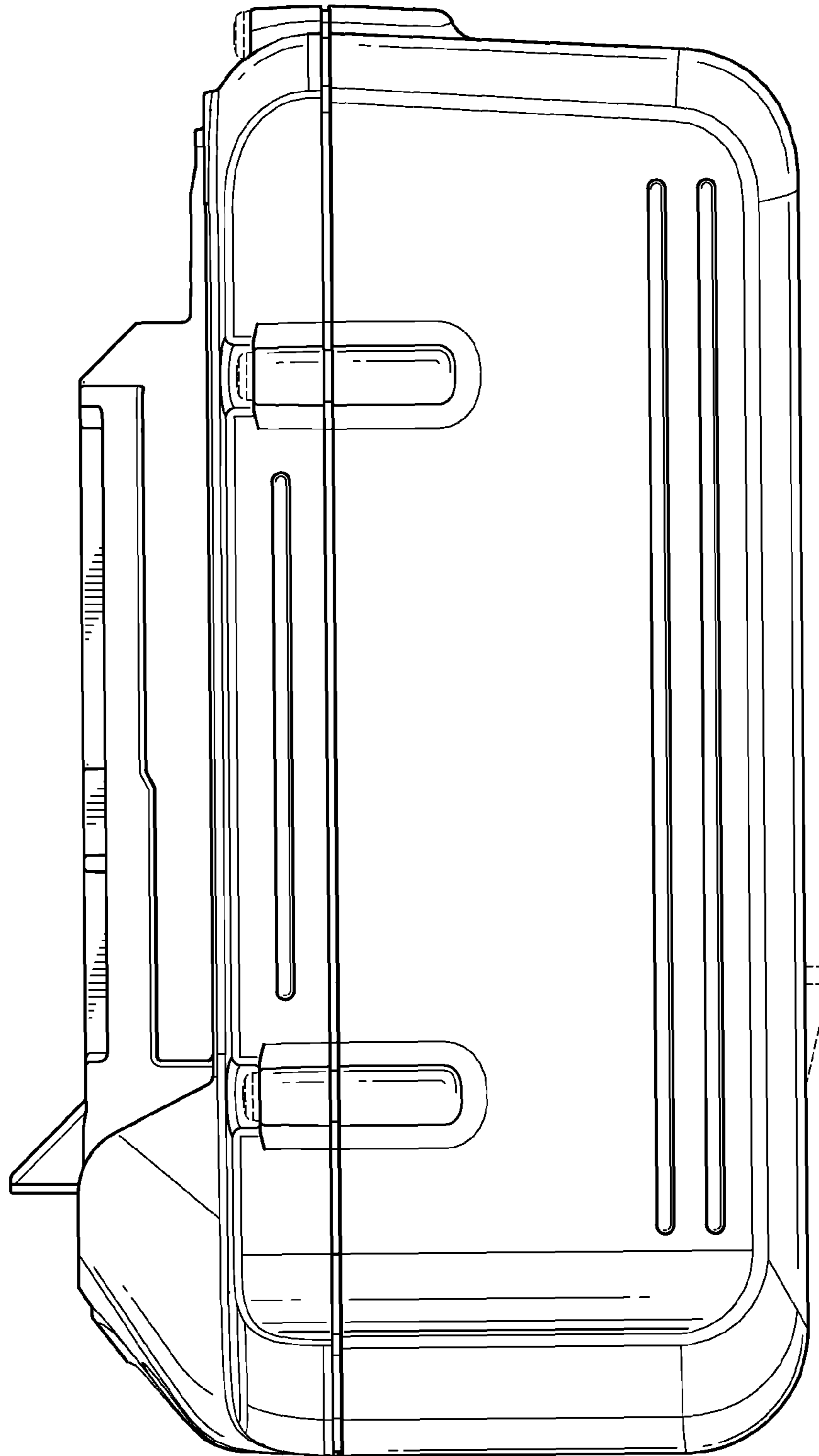


FIG. 3

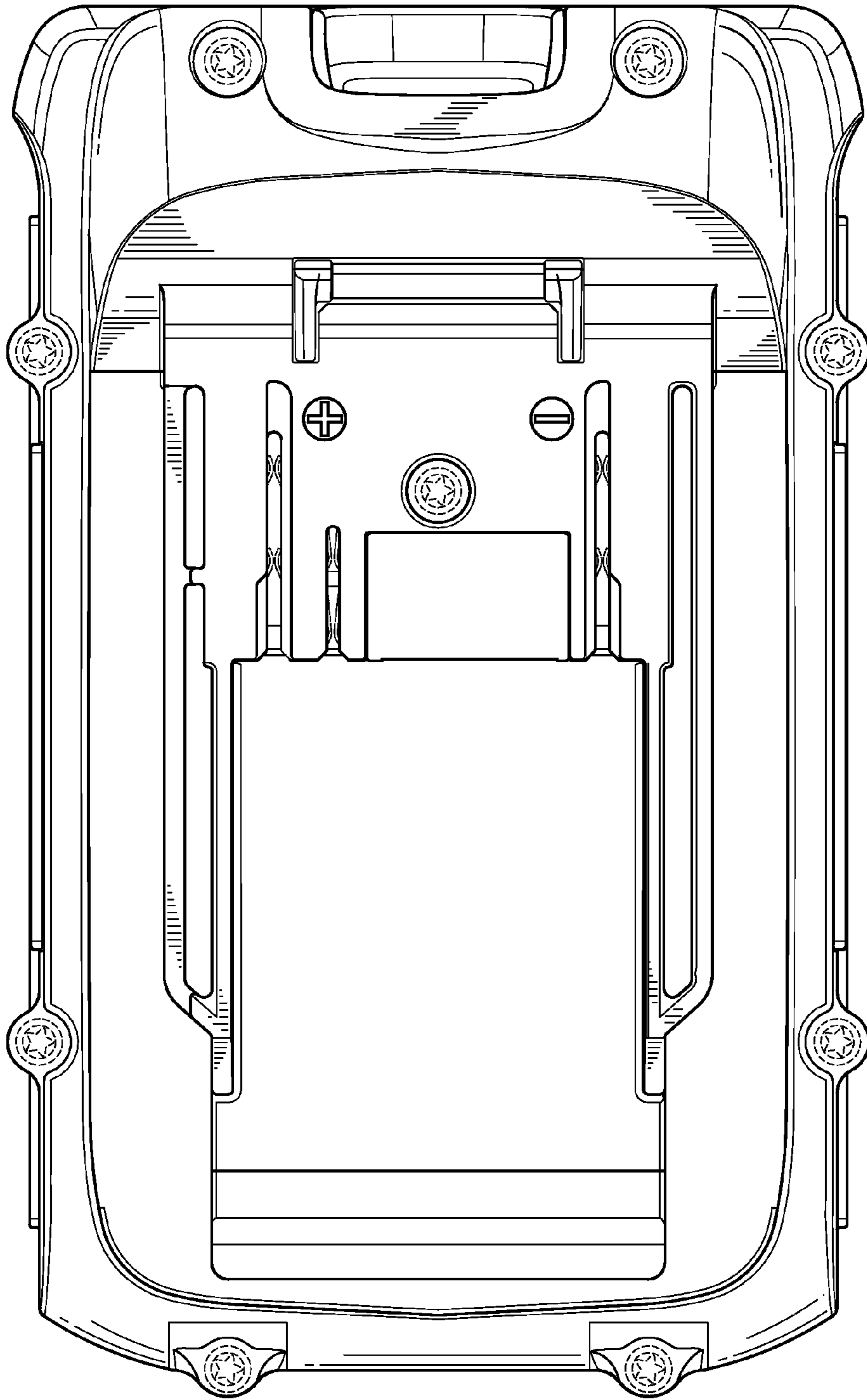


FIG. 4

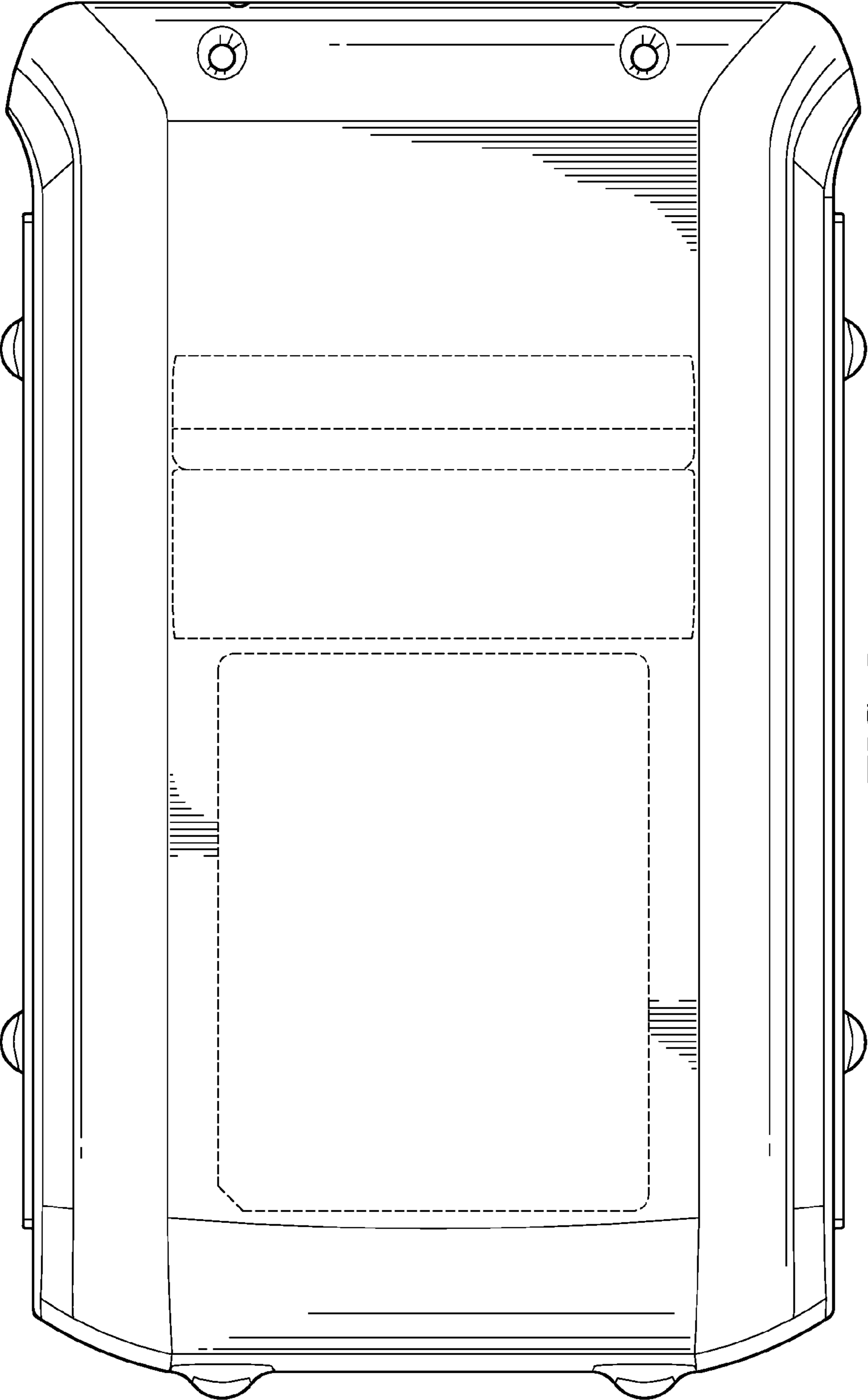


FIG. 5

FIG. 6

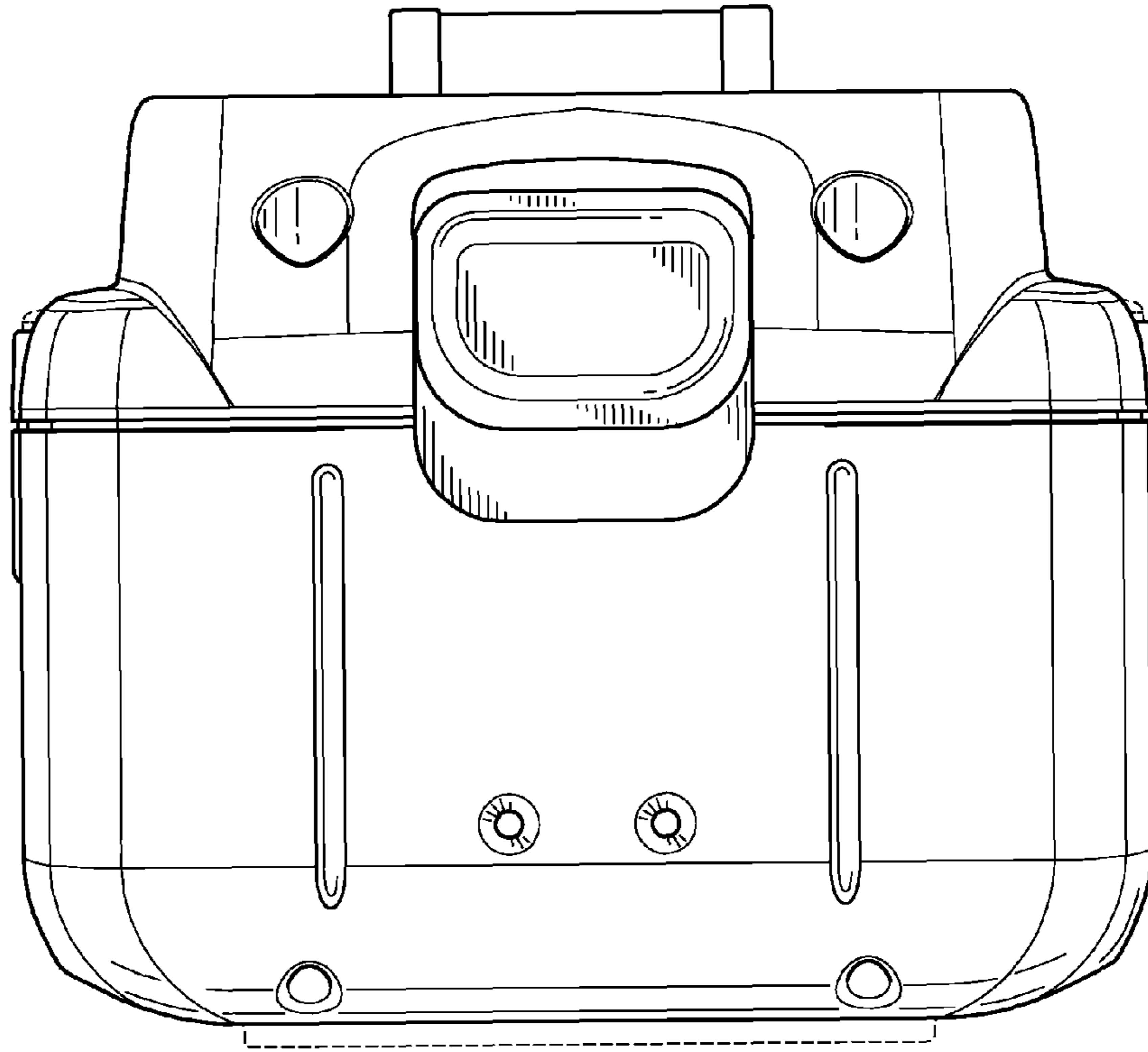


FIG. 7

