



US00D639728S

(12) **United States Design Patent**  
**Ohashi**

(10) **Patent No.:** **US D639,728 S**

(45) **Date of Patent:** **\*\* Jun. 14, 2011**

(54) **TIRE**

(75) Inventor: **Toshiyuki Ohashi**, Osaka (JP)

(73) Assignee: **Toyo Tire & Rubber Co., Ltd.**, Osaka (JP)

(\*\*) Term: **14 Years**

(21) Appl. No.: **29/381,613**

(22) Filed: **Dec. 21, 2010**

(30) **Foreign Application Priority Data**

Jun. 24, 2010 (JP) ..... 2010-015492

(51) **LOC (9) Cl.** ..... **12-15**

(52) **U.S. Cl.** ..... **D12/605**

(58) **Field of Classification Search** ..... D12/500-501,  
D12/544, 579, 600-605; 152/523-524, DIG. 12,  
152/555; D7/588, 396.4-396.5

See application file for complete search history.

(56) **References Cited**

**U.S. PATENT DOCUMENTS**

D386,455 S *	11/1997	Clementz et al. ....	D12/605
5,728,242 A *	3/1998	Barrese et al. ....	152/523
6,032,711 A *	3/2000	Barrese et al. ....	152/523
D450,274 S *	11/2001	Ratliff et al. ....	D12/605
D539,729 S *	4/2007	Maxwell ..... ..	D12/605
D540,739 S *	4/2007	Maxwell ..... ..	D12/605
D541,211 S *	4/2007	Shondel et al. ....	D12/605
D543,933 S *	6/2007	Shondel ..... ..	D12/605
D552,537 S *	10/2007	Franks et al. ....	D12/605
D569,338 S *	5/2008	Shondel ..... ..	D12/605

D593,487 S *	6/2009	Takahashi ..... ..	D12/605
D608,275 S *	1/2010	Maxwell ..... ..	D12/605
D626,502 S *	11/2010	Nakamura ..... ..	D12/605

**FOREIGN PATENT DOCUMENTS**

JP	1371749	10/2009
JP	1372062	10/2009

\* cited by examiner

*Primary Examiner* — Stacia Cadmus

(74) *Attorney, Agent, or Firm* — Sterne, Kessler, Goldstein & Fox PLLC

(57) **CLAIM**

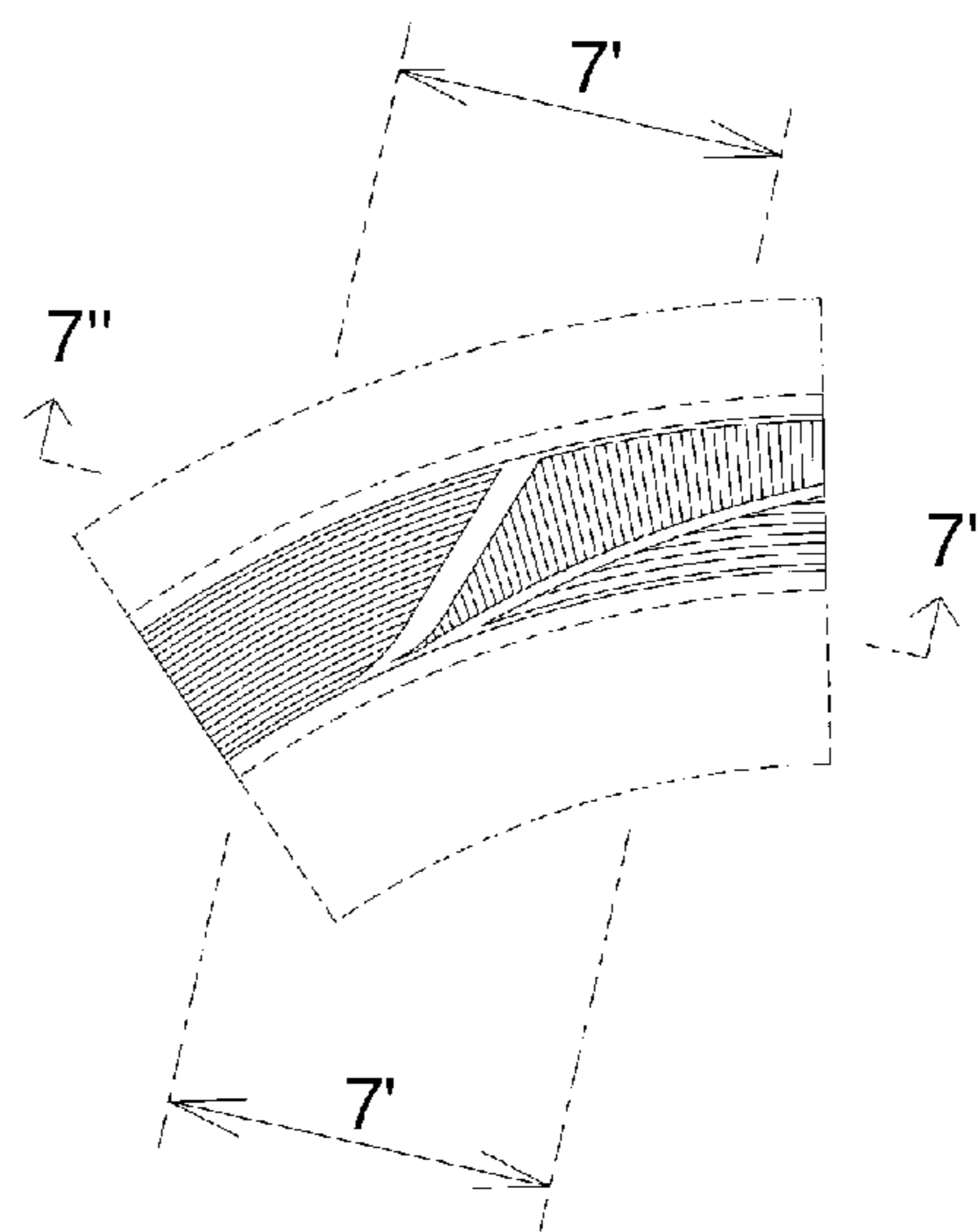
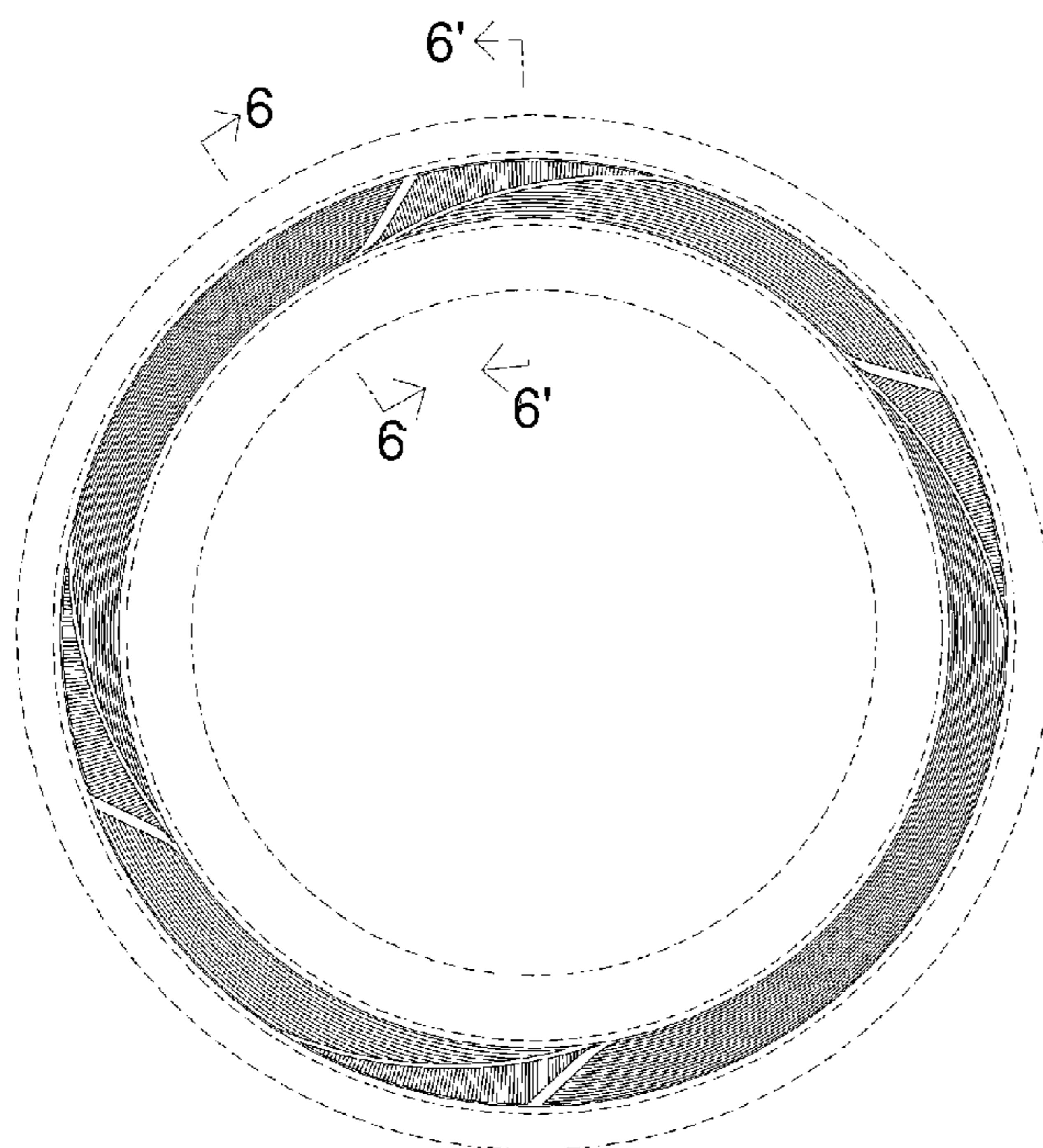
The ornamental design for a tire, as shown and described.

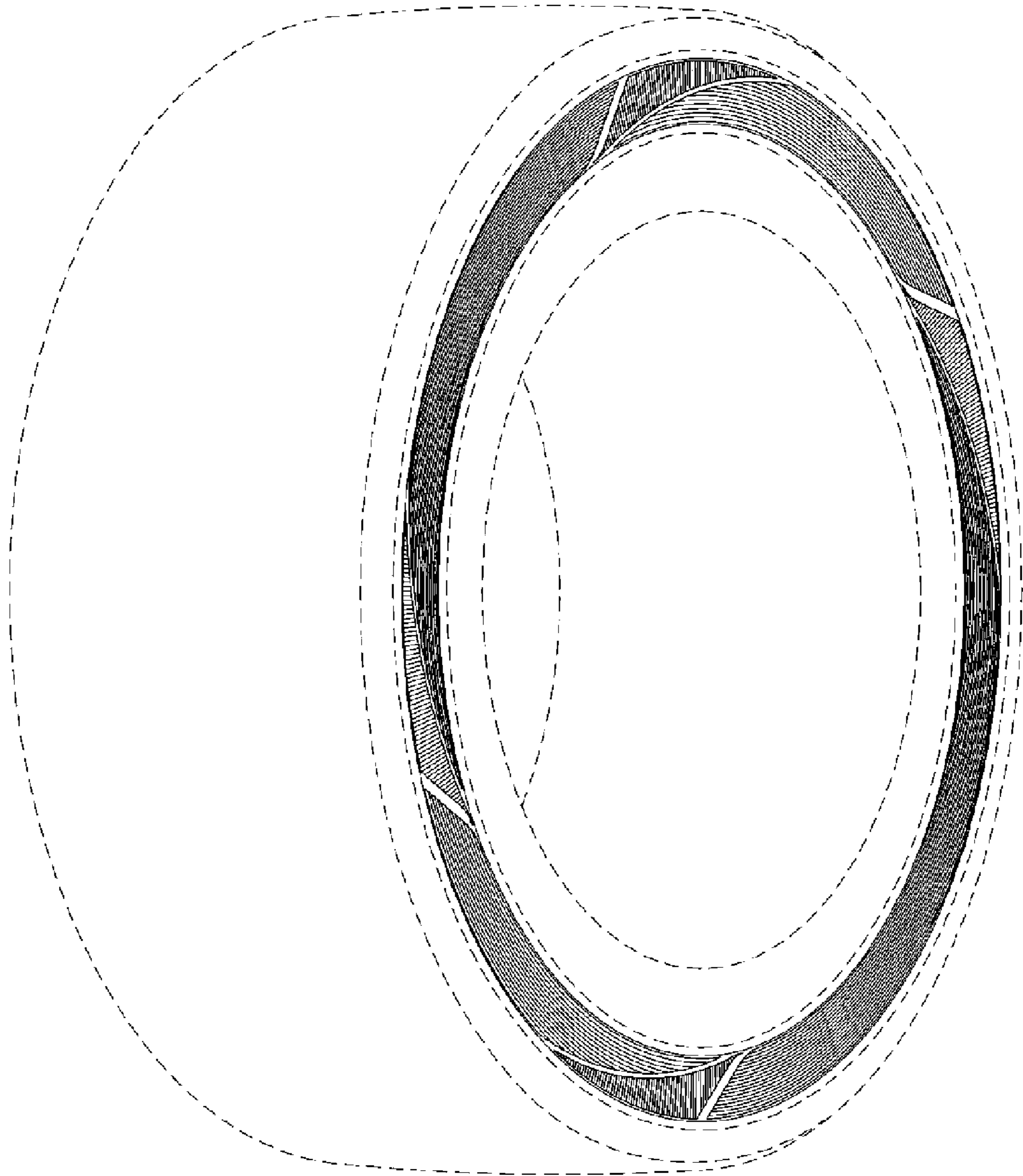
**DESCRIPTION**

FIG. 1 is a perspective view of a tire showing my new design; FIG. 2 is a front view thereof; FIG. 3 is a rear view thereof; FIG. 4 is a left side view thereof, for which the right side view is a mirror image; FIG. 5 is a top plan view thereof, for which the bottom plan view is a mirror image; FIG. 6 is an enlarged view taken along lines 6—6 and 6'—6' in FIG. 2; and, FIG. 7 is an enlarged end view taken along line 7—7 in FIG. 5 and lines 7'—7' and 7''—7'' in FIG. 6.

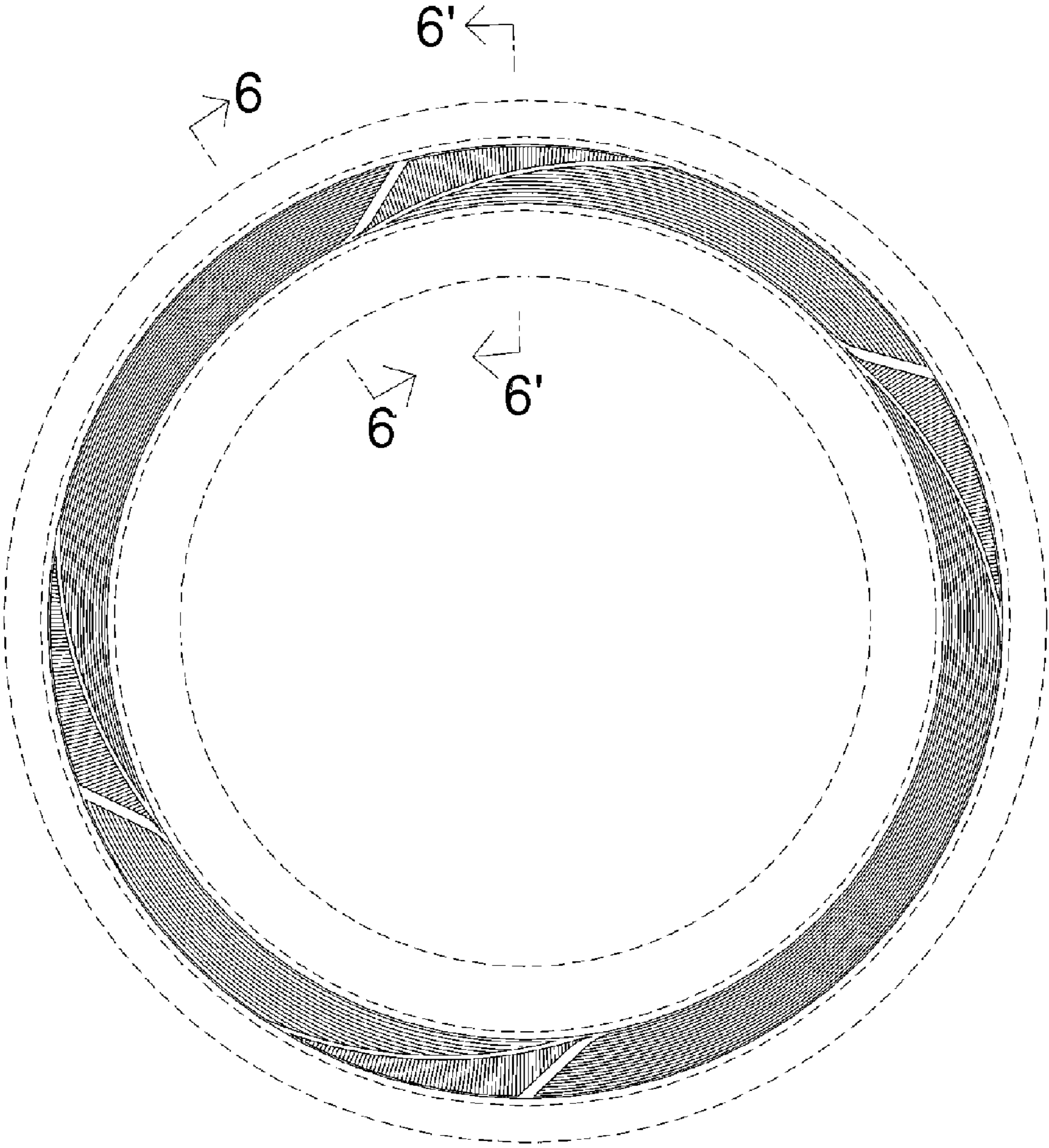
In the drawings, the broken lines defining the tire tread, portion of the sidewall, inner bead, and the peripheral boundary between the claimed sidewall and the unclaimed sidewall depict environmental subject matter that forms no part of the claimed design.

**1 Claim, 6 Drawing Sheets**

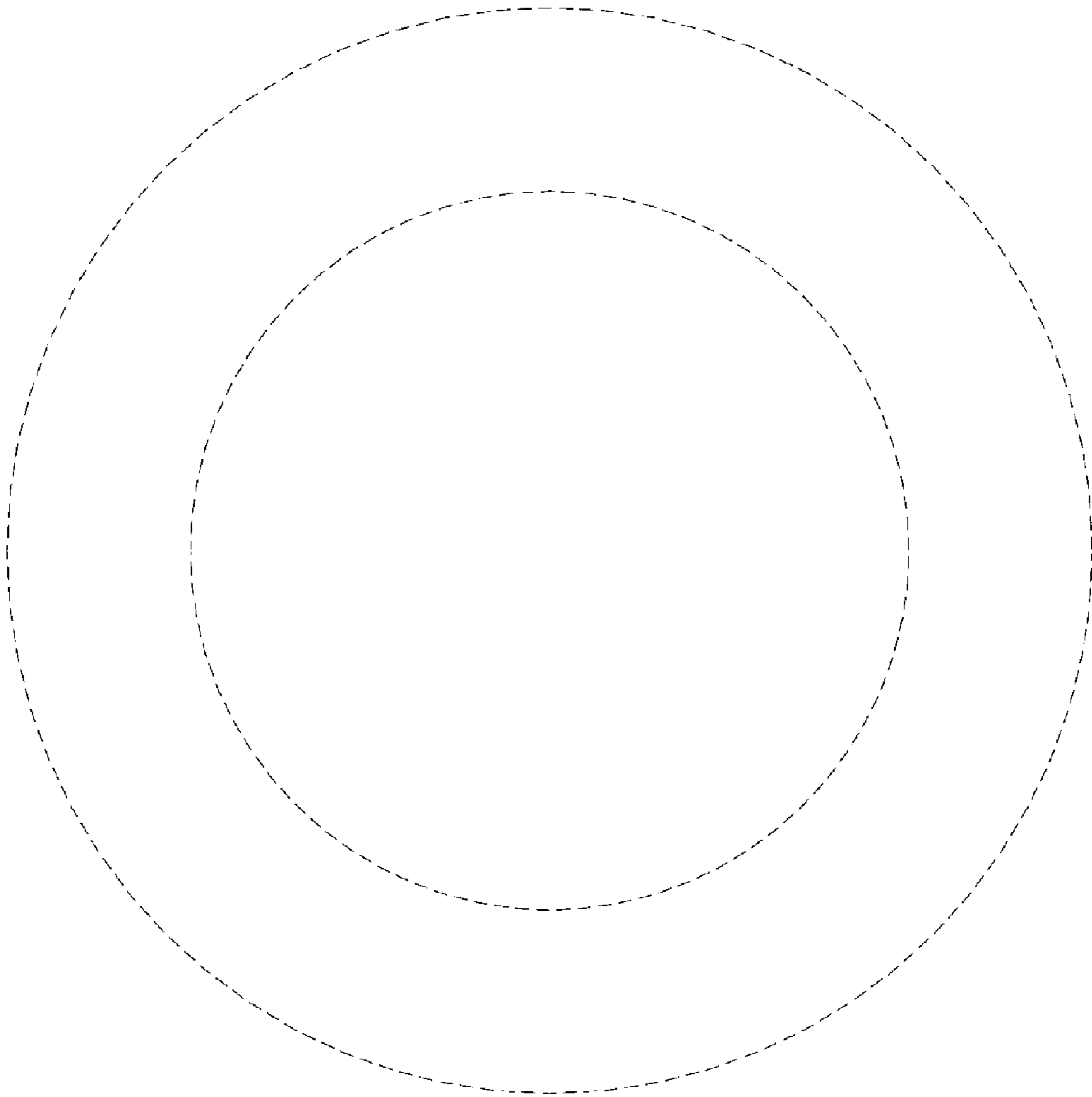




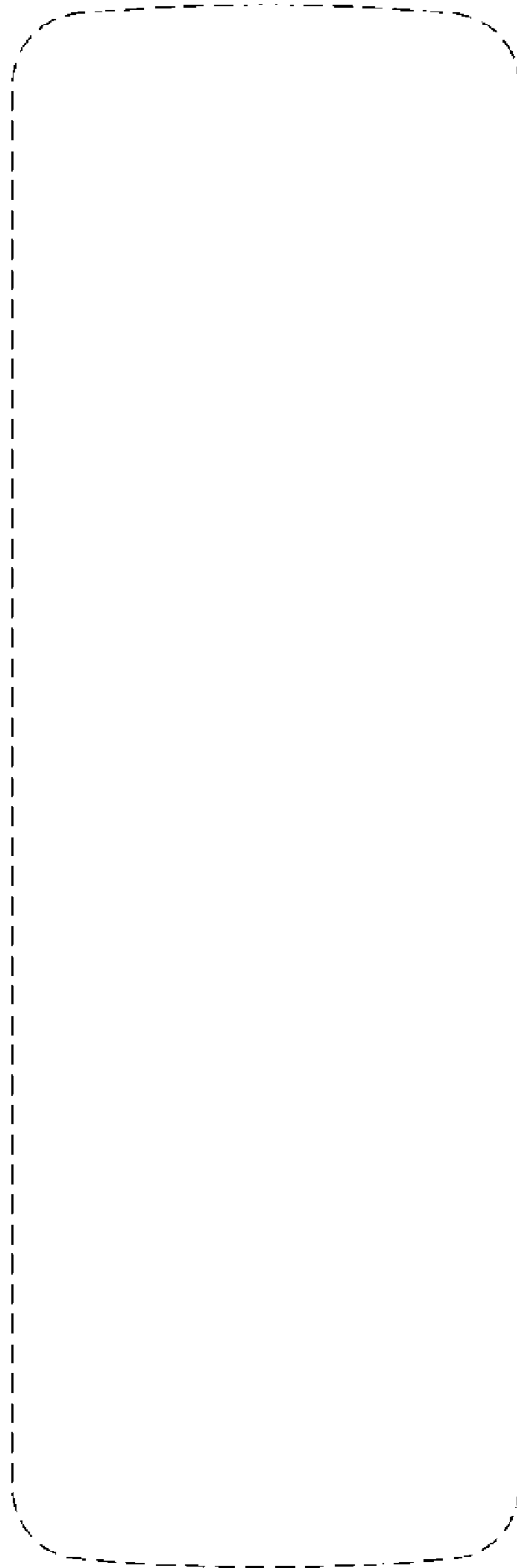
**FIG. 1**



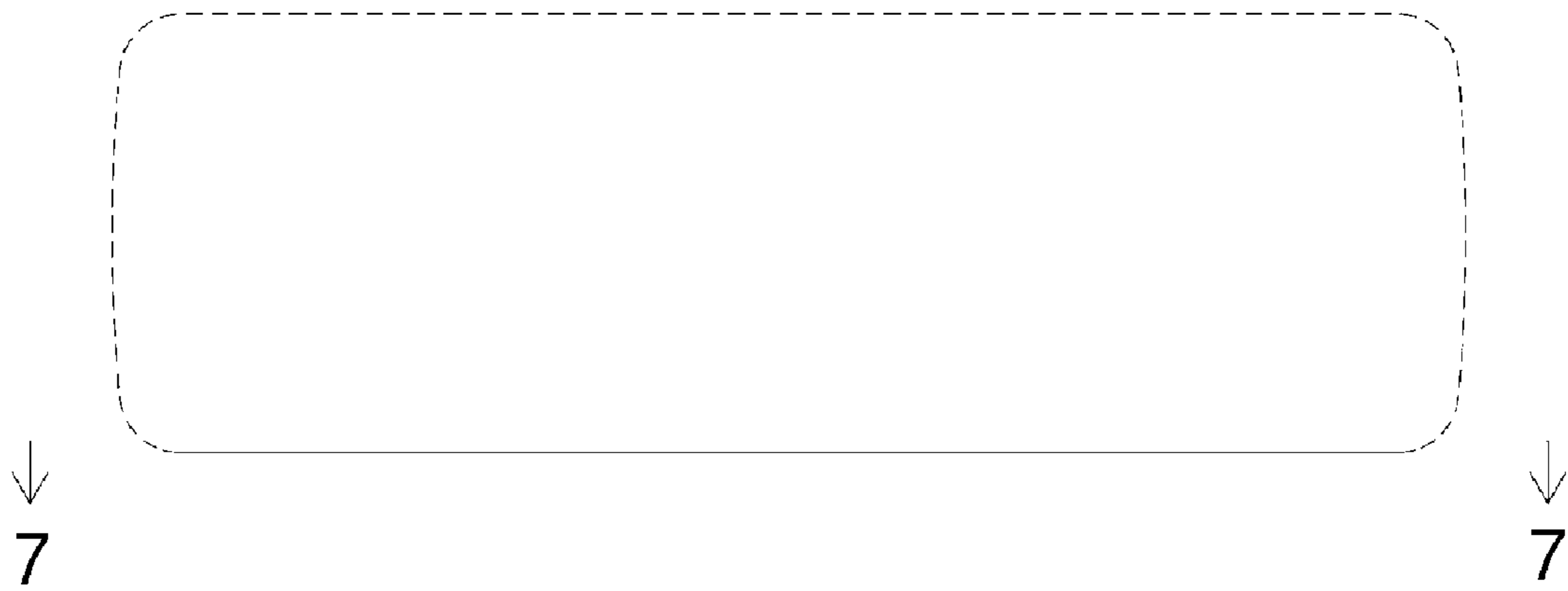
**FIG. 2**



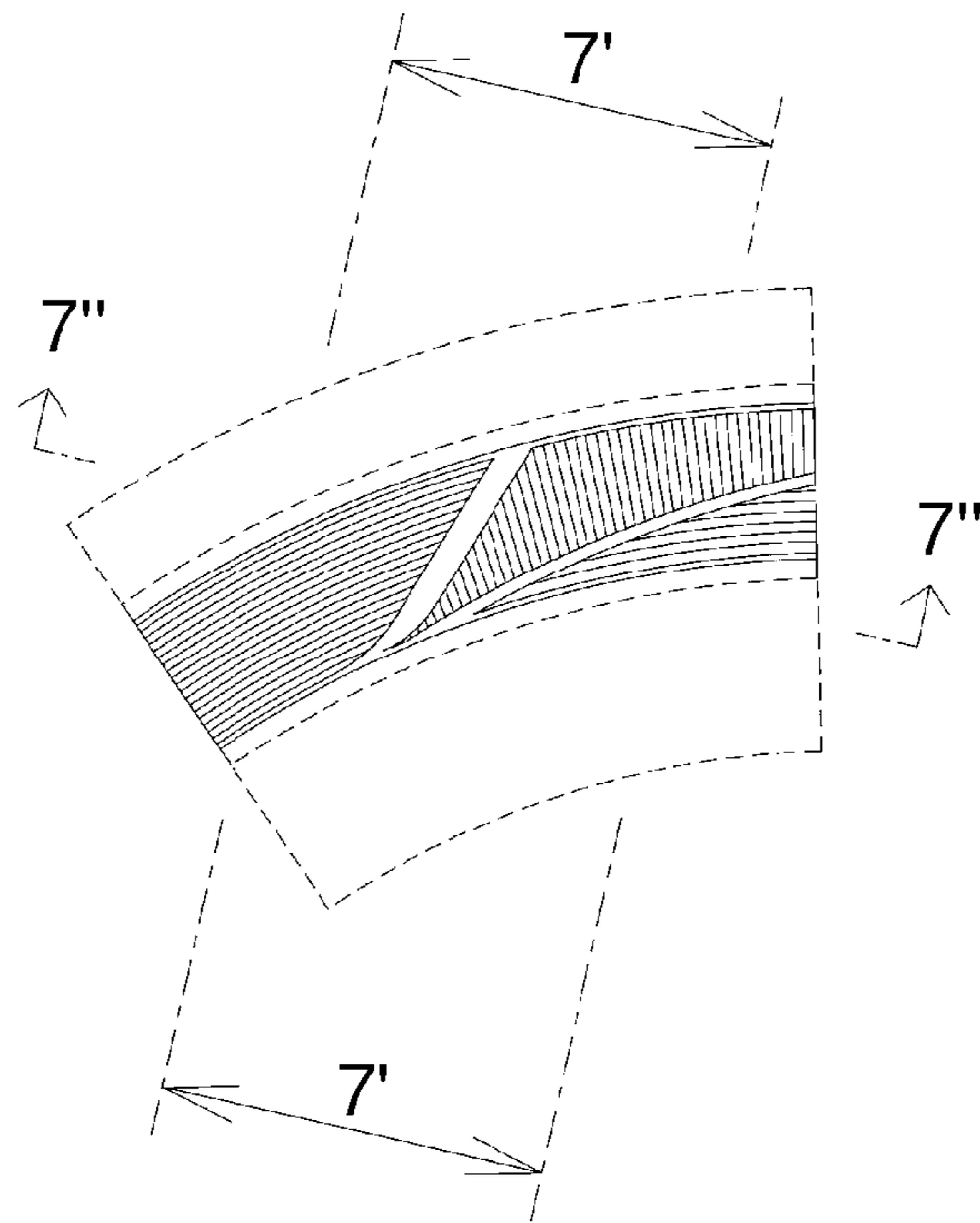
**FIG. 3**



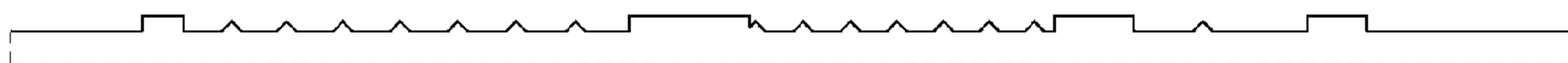
**FIG. 4**



**FIG. 5**



**FIG. 6**



**FIG. 7**