

US00D639718S

(12) **United States Design Patent**  
**Patrick**

(10) **Patent No.:** **US D639,718 S**

(45) **Date of Patent:** **\*\* Jun. 14, 2011**

(54) **OVERHEAD CARRYING RACK FOR AN ATV**

(76) Inventor: **Jefferson L. Patrick**, Estill Spring, TN  
(US)

(\*\*) Term: **14 Years**

(21) Appl. No.: **29/372,298**

(22) Filed: **Nov. 5, 2010**

**Related U.S. Application Data**

(63) Continuation-in-part of application No. 10/826,763,  
filed on Apr. 16, 2004.

(51) **LOC (9) Cl.** ..... **12-16**

(52) **U.S. Cl.** ..... **D12/412**

(58) **Field of Classification Search** ..... D12/413,  
D12/414, 406, 412, 414.1; 293/37.1, 3, 100;  
224/309-310, 315-316, 323-329, 400; D6/552,  
D6/317-319, 513-514; D3/304-306; 280/760-762,  
280/848, 727, 769; 296/99.1, 37.1, 100.01,  
296/100.02, 157; 206/213, 8, 9, 279, 290,  
206/713, 335, 315.1-315.4; D32/35, 58  
See application file for complete search history.

(56) **References Cited**

**U.S. PATENT DOCUMENTS**

2,237,853	A *	4/1941	Troche	182/127
D244,268	S *	5/1977	Hinch	D12/412
4,262,834	A *	4/1981	Nutt	224/324
4,278,175	A *	7/1981	Jackson	224/561
D398,284	S *	9/1998	Carter et al.	D12/406
5,850,891	A *	12/1998	Olms et al.	182/127
D436,915	S *	1/2001	Burger	D12/406
D487,831	S *	3/2004	Savoie	D32/58
D494,532	S *	8/2004	Reese	D12/406
7,080,714	B2 *	7/2006	Stout	182/127

D561,086	S *	2/2008	Lopez	D12/412
7,641,251	B1 *	1/2010	Stepanians	296/3
2010/0116858	A1 *	5/2010	Foley	224/315

\* cited by examiner

*Primary Examiner* — Caron Veynar

*Assistant Examiner* — Katrina A Kile

(74) *Attorney, Agent, or Firm* — Mark Clodfelter

(57) **CLAIM**

The ornamental design for an overhead carrying rack for an ATV, substantially as shown and described.

**DESCRIPTION**

FIG. 1 is an elevational view of my new overhead carrying rack for an ATV taken from a front thereof.

FIG. 2 is a pictorial view of my new overhead carrying rack for an ATV taken from a point above, to one side and to a rear thereof, and shown at a reduced scale to the scale shown in FIG. 1.

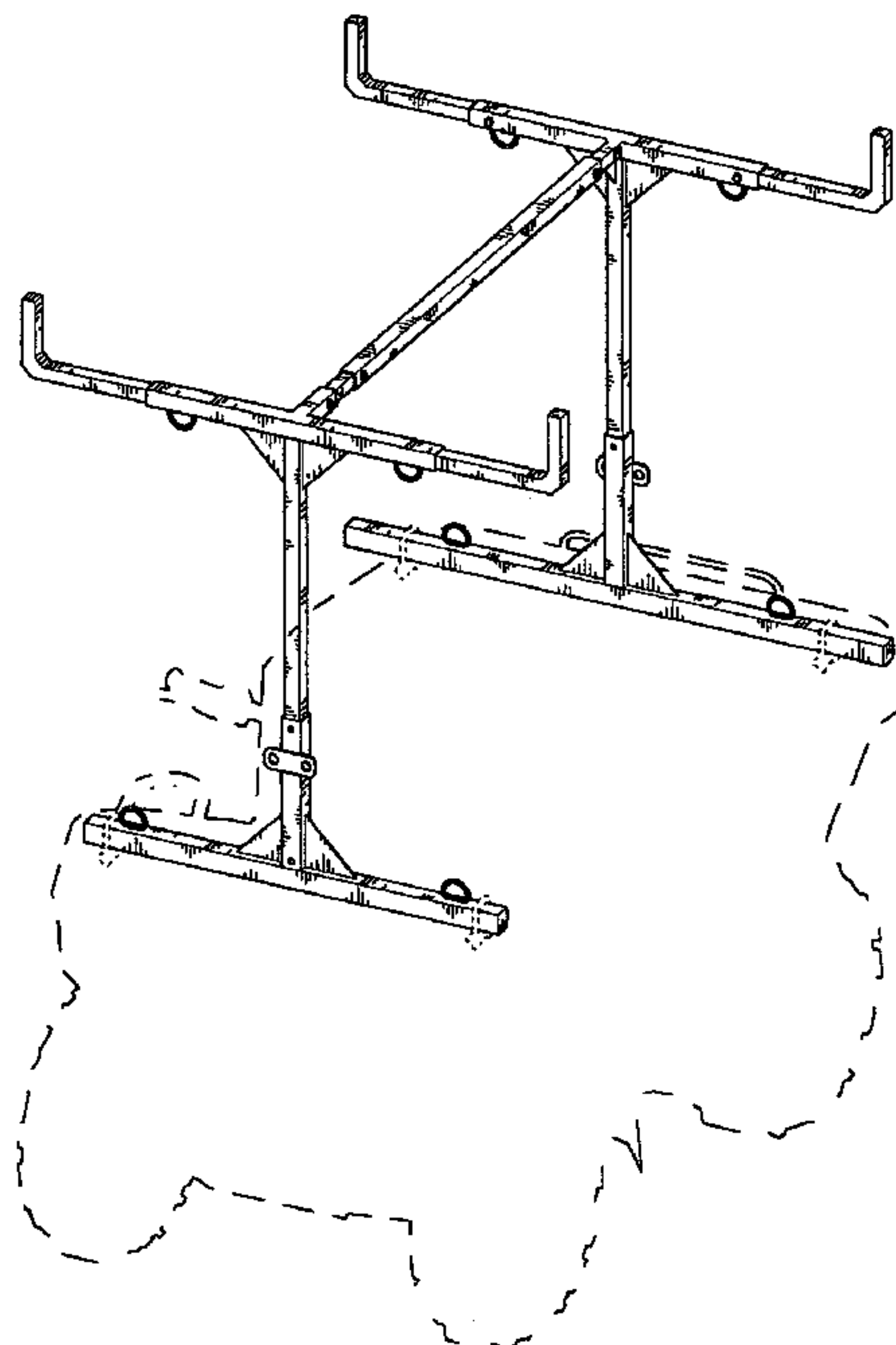
FIG. 3 is an elevational view of my new overhead carrying rack for an ATV taken from one side thereof. An elevational view taken from an opposite side would be a mirror image of the view of FIG. 3.

FIG. 4 is an elevational view of my new overhead carrying rack for an ATV taken from above; and,

FIG. 5 is a pictorial view of my new overhead carrying rack for an ATV taken from above, to one side and a front thereof, and shown at a reduced scale to the scale shown in FIGS. 1 and 3.

The dashed line showings of U-bolts in all the drawings, and the dashed line showings of an ATV in FIG. 5 are for illustrative purposes and environmental purposes only, and do not form a part of our new design.

**1 Claim, 5 Drawing Sheets**



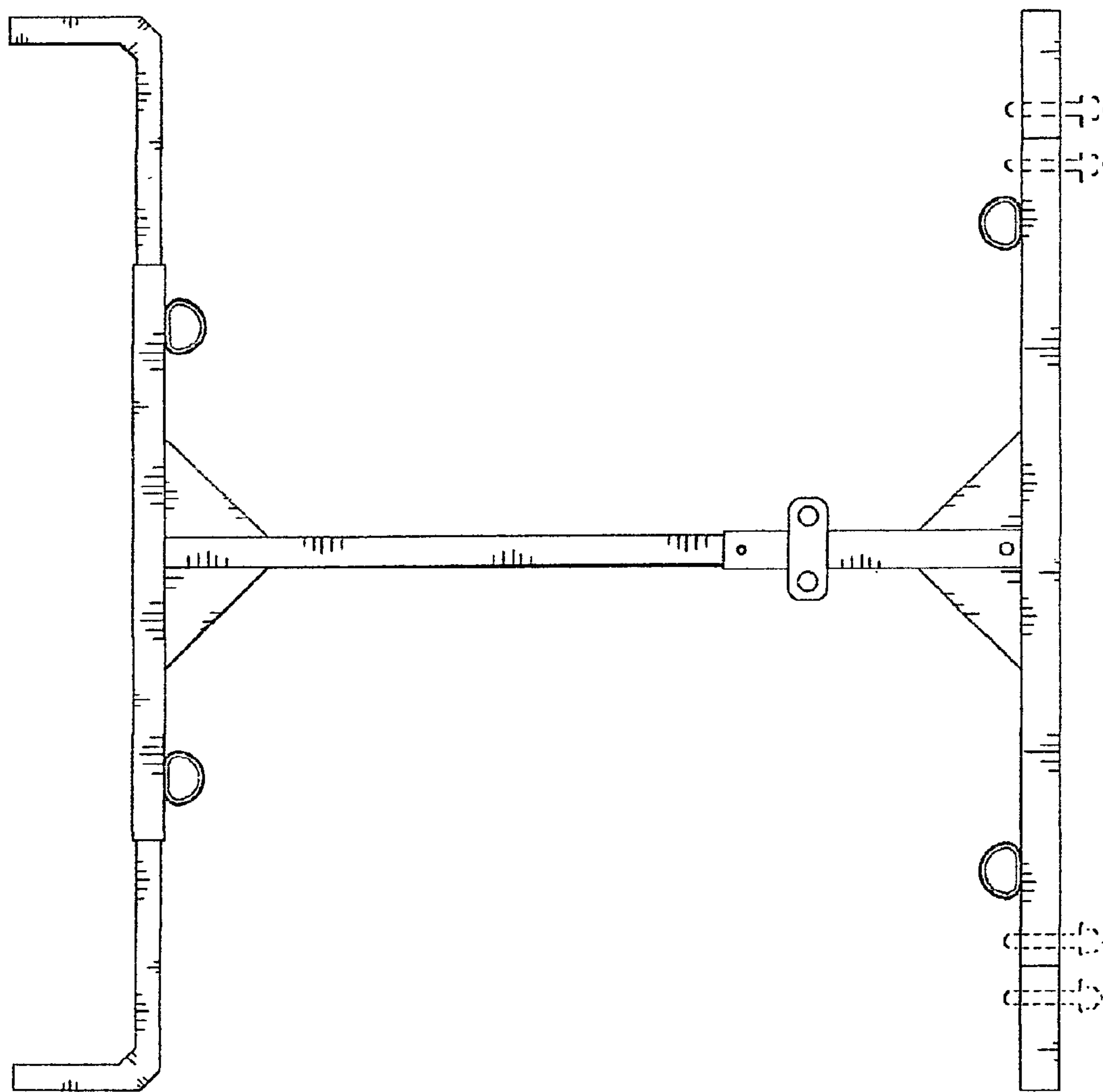


FIG. 1

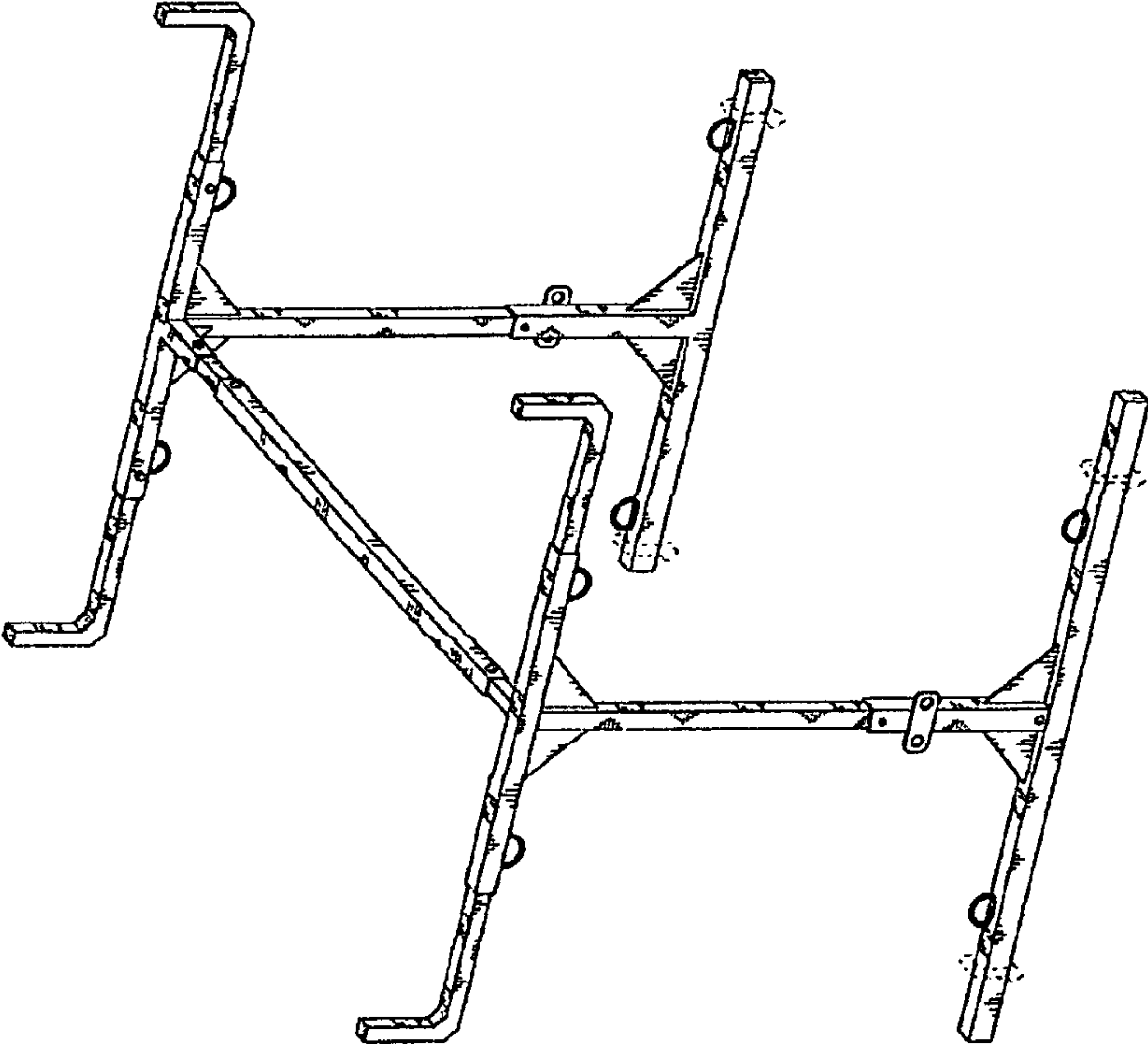


FIG. 2

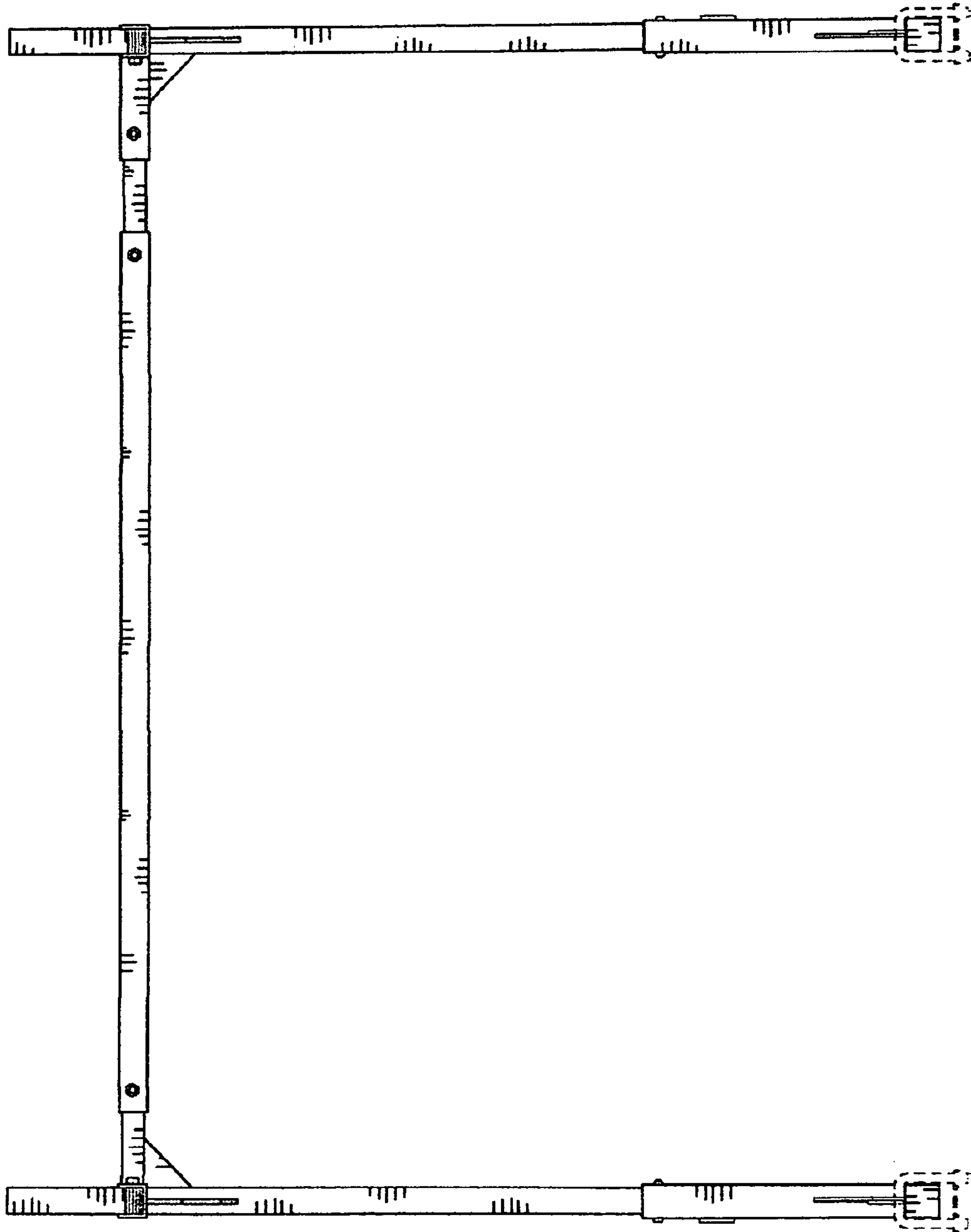


FIG. 3

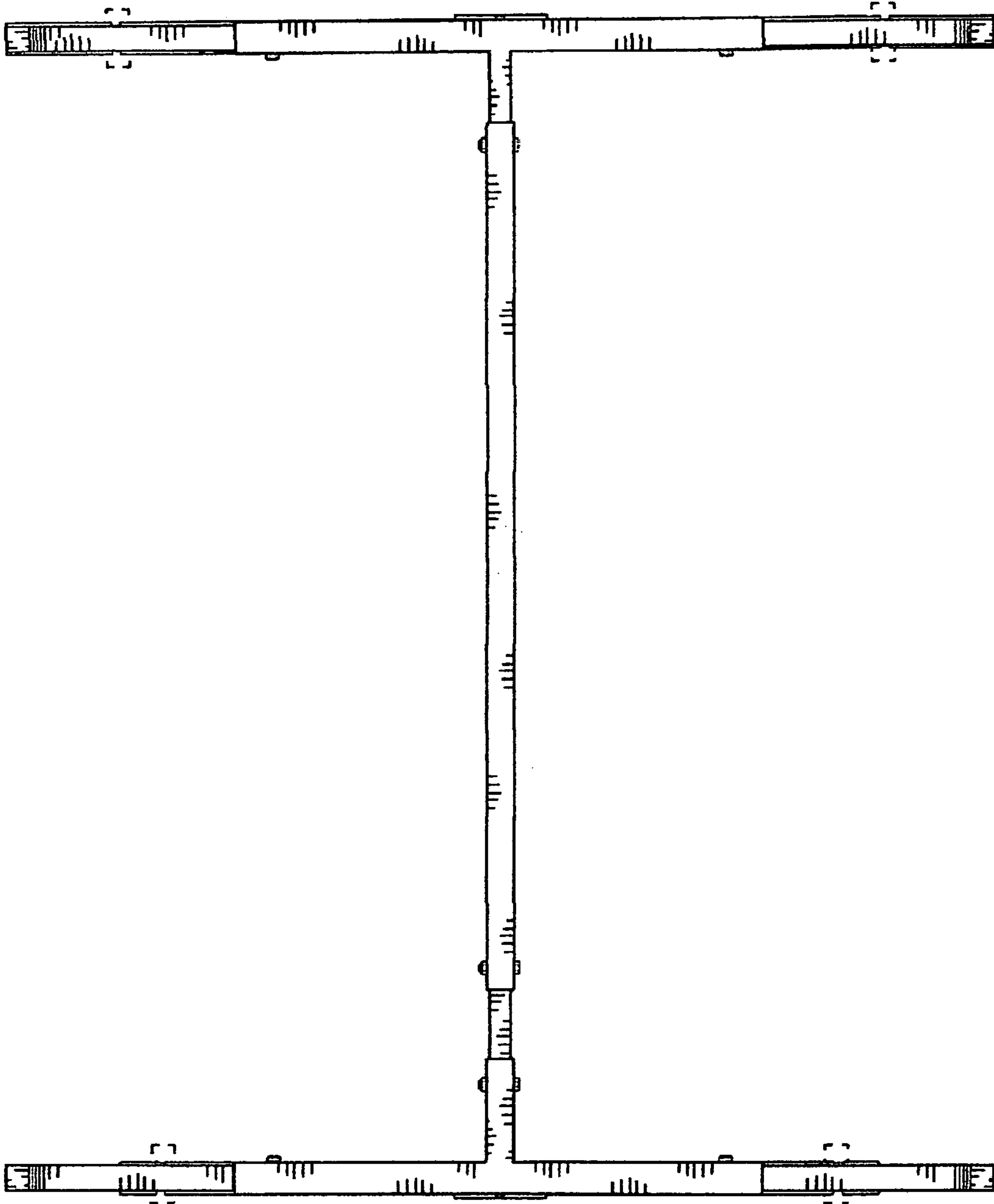


FIG 4

