



US00D639716S

(12) **United States Design Patent**
Juergens et al.

(10) **Patent No.:** **US D639,716 S**
(45) **Date of Patent:** **** Jun. 14, 2011**

(54) **WHEEL OR WHEEL COVER**

(75) Inventors: **Dirk Juergens**, Munich (DE); **Rainer Mueller**, Munich (DE)

(73) Assignee: **Bayerische Motoren Werke Aktiengesellschaft**, Munich (DE)

(**) Term: **14 Years**

(21) Appl. No.: **29/347,281**

(22) Filed: **Nov. 19, 2009**

(30) **Foreign Application Priority Data**

May 20, 2009 (DE) 402009002602

(51) **LOC (9) Cl.** **12-16**

(52) **U.S. Cl.** **D12/211**

(58) **Field of Classification Search** D12/204-213;
301/37.101, 64.101, 65, 64.201

See application file for complete search history.

(56) **References Cited**

U.S. PATENT DOCUMENTS

D503,668 S	4/2005	Boyer	
D504,097 S	4/2005	Markefka	
D504,381 S	4/2005	Rice	
D516,002 S	2/2006	Fahr-Becker	
D521,438 S	5/2006	Nordmann	
D522,434 S	6/2006	Langer	
D530,252 S	10/2006	Gabath	
D540,240 S	4/2007	Kountouras	
D567,167 S *	4/2008	Forster	D12/211
D590,319 S	4/2009	Juergens et al.	
D590,757 S *	4/2009	Froehlich	D12/209
D594,396 S	6/2009	Juergens et al.	
D594,802 S *	6/2009	Gustafsson	D12/211
D608,713 S *	1/2010	Bucher et al.	D12/209
D612,790 S *	3/2010	Tant et al.	D12/211
D613,657 S *	4/2010	Cortes	D12/209
D619,950 S *	7/2010	Antoniadis et al.	D12/209

D621,765 S *	8/2010	Baum	D12/209
D623,115 S *	9/2010	Juergens et al.	D12/211
D625,675 S *	10/2010	Juergens et al.	D12/209

FOREIGN PATENT DOCUMENTS

EM	000010442-0007	7/2003
EM	000032438-0005	10/2003
EM	000090410-0006	3/2004
EM	000213335-0007	11/2004
EM	000106513-0007	12/2004
EM	000330774-0002	6/2005
EM	000380852-0004	10/2005
EM	000473517-0001	3/2006
EM	000735758-0003	7/2007
EM	000997572-0006	10/2008
EM	000997572-0009	6/2009
EM	000825609-0001	11/2009
EM	000825609-0003	11/2009
EM	001598277-0002	1/2010

* cited by examiner

Primary Examiner — Stacia Cadmus

(74) *Attorney, Agent, or Firm* — Crowell & Moring LLP

(57) **CLAIM**

The ornamental design for a wheel or wheel cover, as shown and described.

DESCRIPTION

This application contains subject matter related to the following pending U.S. design patent application:

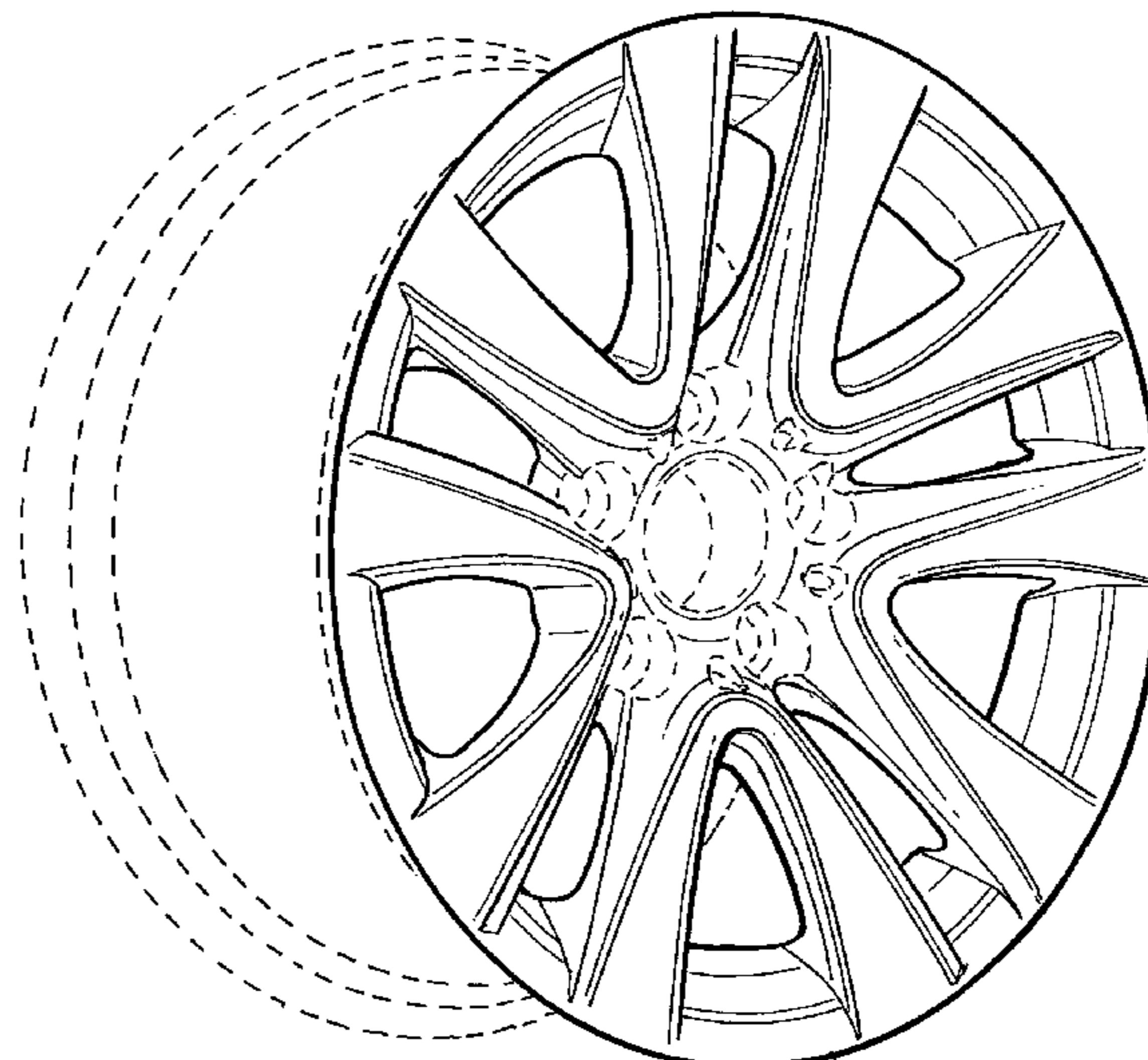
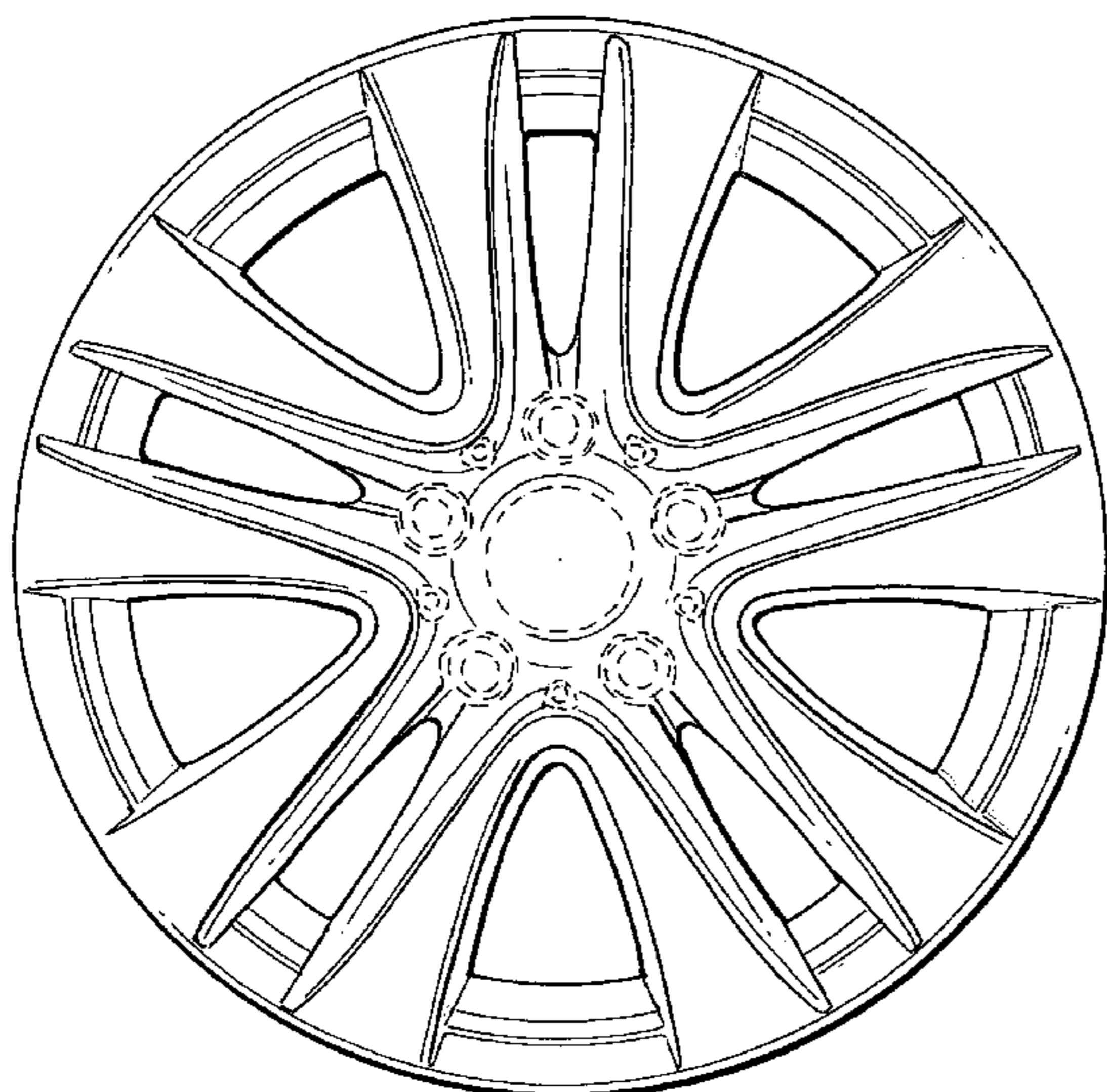
Application Ser. No. 29/309,913.

FIG. 1 is a front view of a wheel or wheel cover according to our design; and,

FIG. 2 is a perspective view thereof.

The broken line showing of the rear of the rim and the bolt holes and the center cap in the central hub area is included for the purpose of illustrating environment and forms no part of the claimed design.

1 Claim, 1 Drawing Sheet



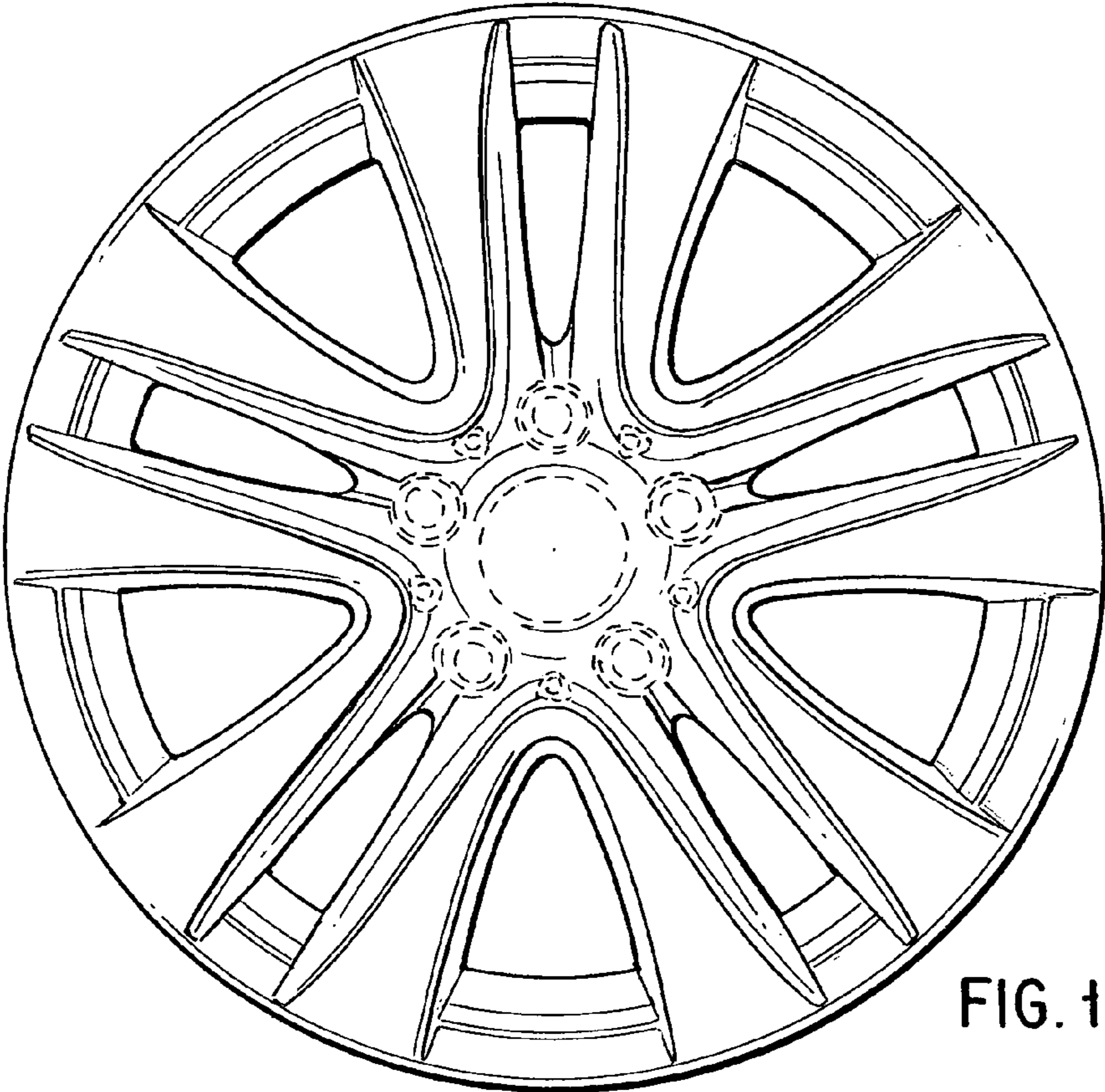


FIG. 1

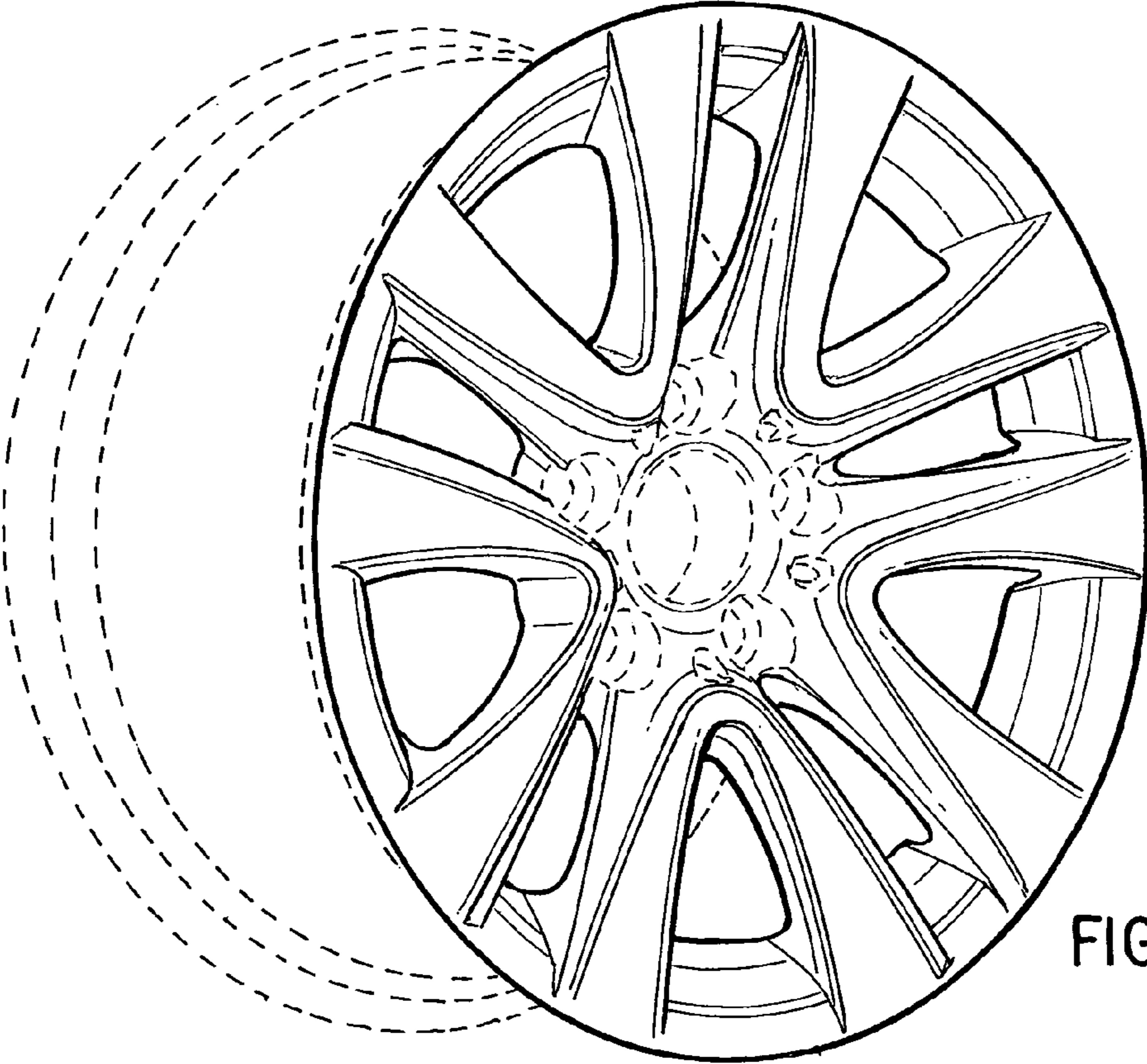


FIG. 2