



US00D639714S

(12) **United States Design Patent**
Baum

(10) **Patent No.:** **US D639,714 S**

(45) **Date of Patent:** **** Jun. 14, 2011**

(54) **WHEEL OR WHEEL COVER**

(75) Inventor: **Stephan Baum**, Olching (DE)

(73) Assignee: **Bayerische Motoren Werke Aktiengesellschaft**, Munich (DE)

(**) Term: **14 Years**

(21) Appl. No.: **29/371,127**

(22) Filed: **Oct. 27, 2010**

(30) **Foreign Application Priority Data**

Apr. 28, 2010 (DE) 402010002511

(51) **LOC (9) Cl.** **12-16**

(52) **U.S. Cl.** **D12/209**

(58) **Field of Classification Search** D12/204–213;
301/37.101, 64.101, 65, 64.201

See application file for complete search history.

(56) **References Cited**

U.S. PATENT DOCUMENTS

D420,320 S *	2/2000	Khoury	D12/209
D432,974 S	10/2000	Jablonski		
D454,527 S *	3/2002	Bhambra	D12/209
D457,478 S *	5/2002	Minamisawa	D12/211
D469,048 S	1/2003	van Hooydonk		
D485,524 S *	1/2004	Bhambra	D12/209
D486,111 S	2/2004	Weidhase		
D494,119 S *	8/2004	Sands	D12/209
D523,797 S *	6/2006	Gallert	D12/209
D524,213 S *	7/2006	Szavits	D12/209
D528,061 S *	9/2006	Saridakis et al.	D12/211
D547,251 S *	7/2007	Baum	D12/209

D581,853 S *	12/2008	Rak	D12/211
D597,919 S *	8/2009	Atwell	D12/211
D612,790 S *	3/2010	Tant et al.	D12/211
D625,236 S	10/2010	Hildebrand et al.		
D627,286 S *	11/2010	Gallert	D12/209

FOREIGN PATENT DOCUMENTS

DE	M9707122.6	1/1998
DE	40006568.1	10/2000
DE	40107972.4	1/2002
EM	000255609-0001	2/2005
EM	001744640-0003	8/2010
EM	001674441-0006	12/2010

* cited by examiner

Primary Examiner — Stacia Cadmus

(74) *Attorney, Agent, or Firm* — Crowell & Moring LLP

(57) **CLAIM**

The ornamental design for a wheel or wheel cover, as shown and described.

DESCRIPTION

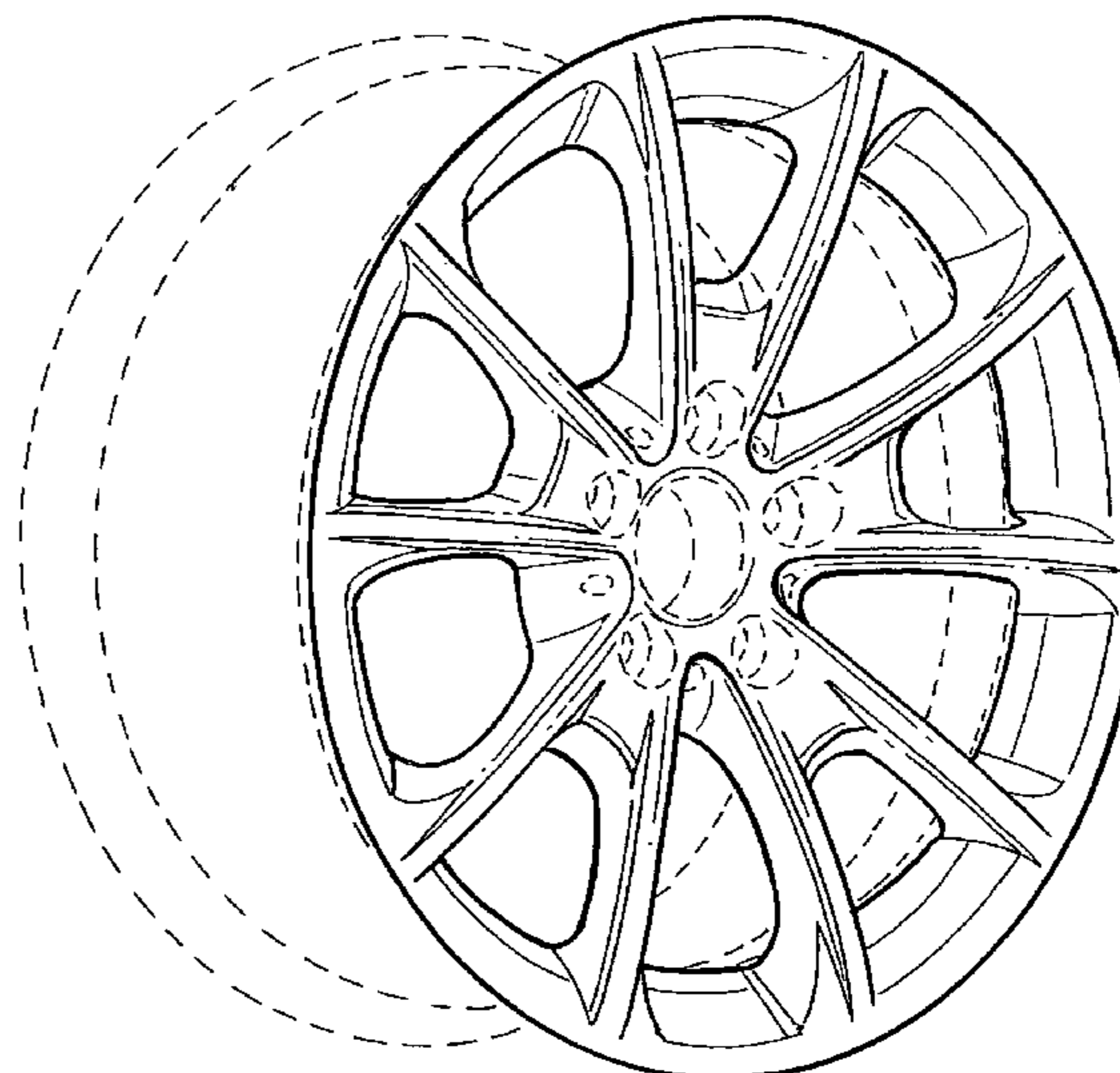
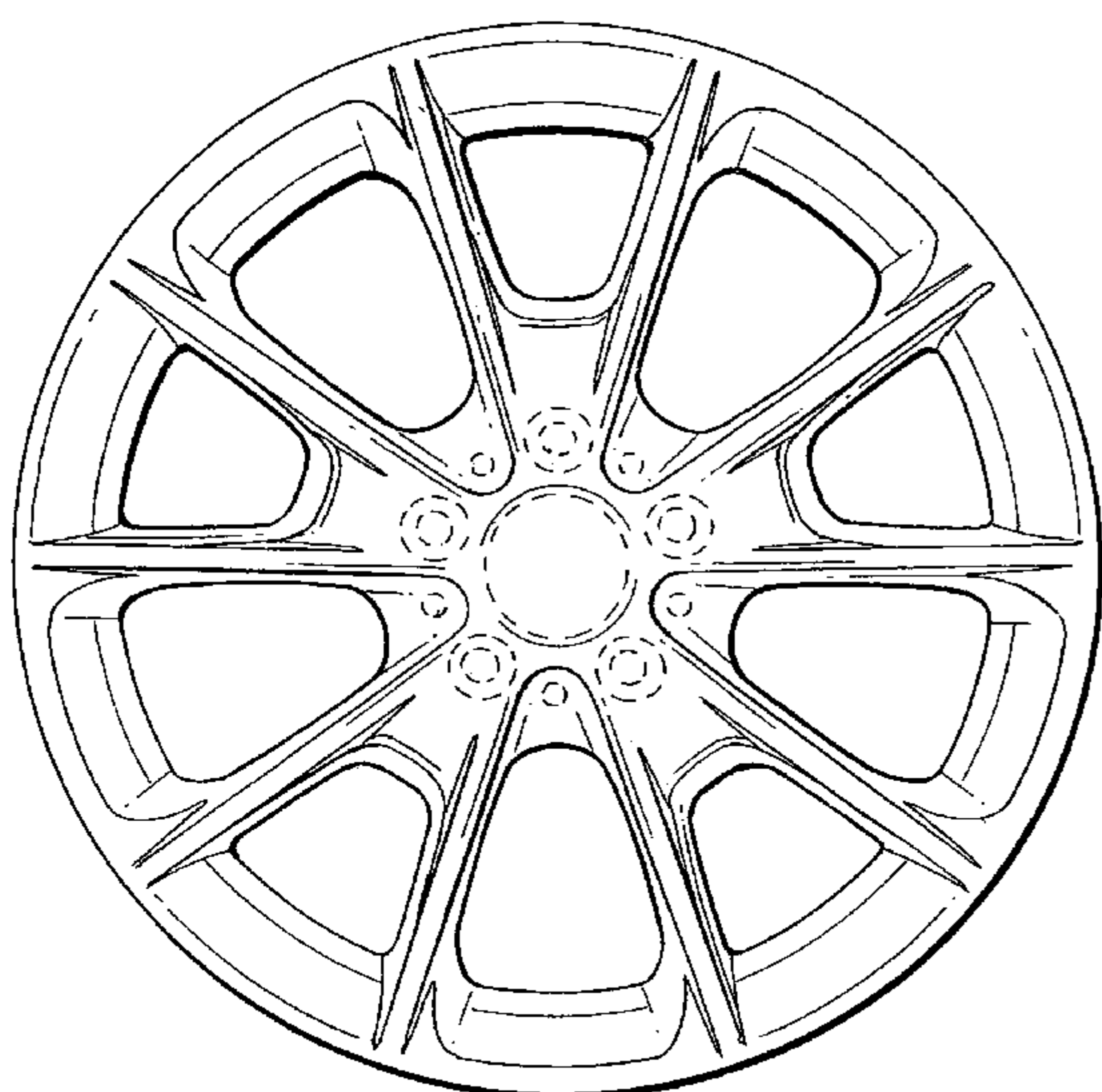
This application contains subject matter related to the following co-pending U.S. design patent application: Application Ser. No. 29/347,964, filed Aug. 20, 2010 and entitled “Wheel or Wheel Cover.”

FIG. 1 is a front view of a wheel or wheel cover according to my design; and,

FIG. 2 is a perspective view thereof.

The broken line showing of the rear of the rim and the bolt holes and the center cap in the central hub area is included for the purpose of illustrating environment and forms no part of the claimed design.

1 Claim, 1 Drawing Sheet



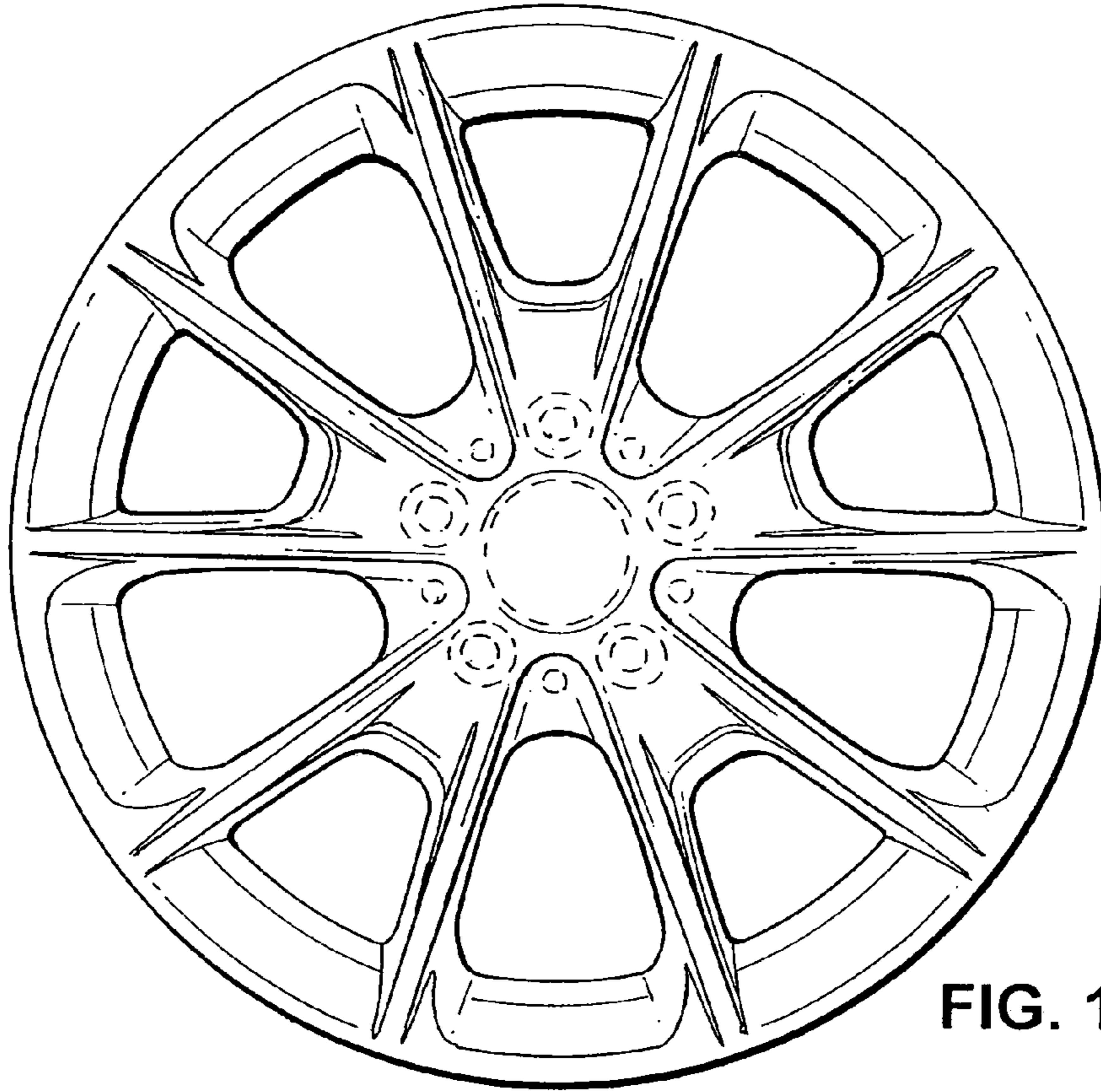


FIG. 1

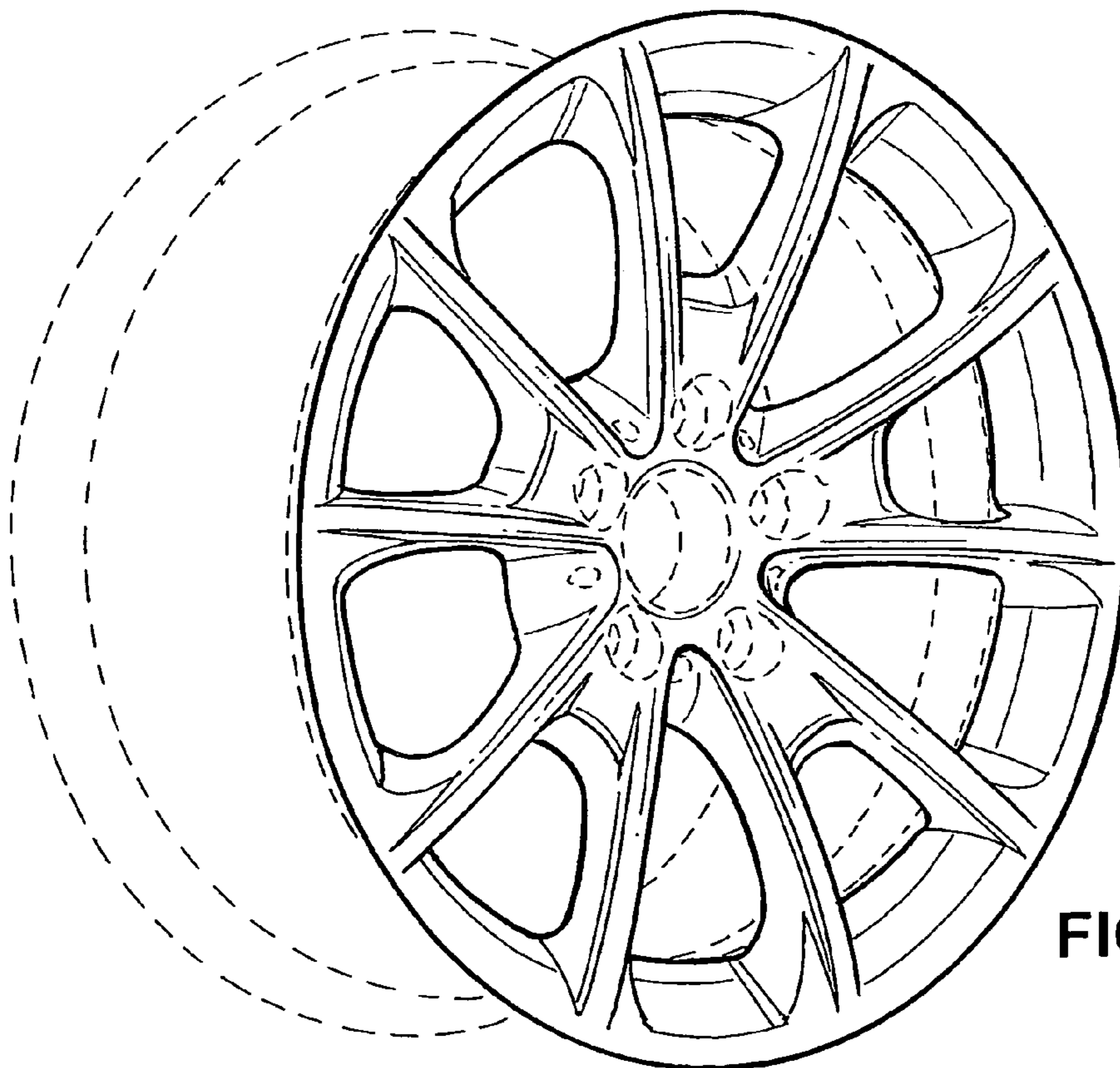


FIG. 2