



US00D639713S

(12) **United States Design Patent**
Iancului

(10) **Patent No.:** **US D639,713 S**

(45) **Date of Patent:** **** Jun. 14, 2011**

(54) **WHEEL WITH DETACHABLE COVER**

(76) Inventor: **Octavian Iancului**, Fullerton, CA (US)

(**) Term: **14 Years**

(21) Appl. No.: **29/302,379**

(22) Filed: **Jan. 15, 2008**

(51) **LOC (9) Cl.** **12-16**

(52) **U.S. Cl.** **D12/204**

(58) **Field of Classification Search** D12/204-213;
301/37.101, 64.101, 65

See application file for complete search history.

(56) **References Cited**

U.S. PATENT DOCUMENTS

3,473,593	A *	10/1969	Brown	152/233
D286,524	S *	11/1986	Hardmark	D12/608
D421,953	S *	3/2000	Sims et al.	D12/211
D444,119	S *	6/2001	Brintouch	D12/211
D449,265	S *	10/2001	Hull	D12/204
D494,118	S *	8/2004	Darnell	D12/204
D496,319	S	9/2004	Iancului		
D519,433	S *	4/2006	Finn et al.	D12/210
D573,523	S *	7/2008	McMath	D12/211
D612,316	S *	3/2010	Sanschagrin et al.	D12/210

* cited by examiner

Primary Examiner — Elizabeth Albert

Assistant Examiner — Kelley A Donnelly

(74) *Attorney, Agent, or Firm* — Klein, O'Neill & Singh, LLP

(57) **CLAIM**

The ornamental design for a wheel with detachable cover, as shown and described.

DESCRIPTION

FIG. 1 is an exploded front perspective view of a wheel with detachable cover;

FIG. 2 is an exploded rear perspective view of FIG. 1;

FIG. 3 is an exploded right side elevational view of FIG. 1; the left side being a mirror image thereof;

FIG. 4 is an assembled front perspective view of the device of FIG. 1;

FIG. 5 is a front elevational view of FIG. 4; and,

FIG. 6 is a right side elevational view of FIG. 4; the left side being a mirror image thereof.

The broken line showing of attachment devices; the internal structure of the wheels; and one or two inflatable tires are for the purpose of illustrating the environment of the design and form no part of the claimed design.

1 Claim, 5 Drawing Sheets

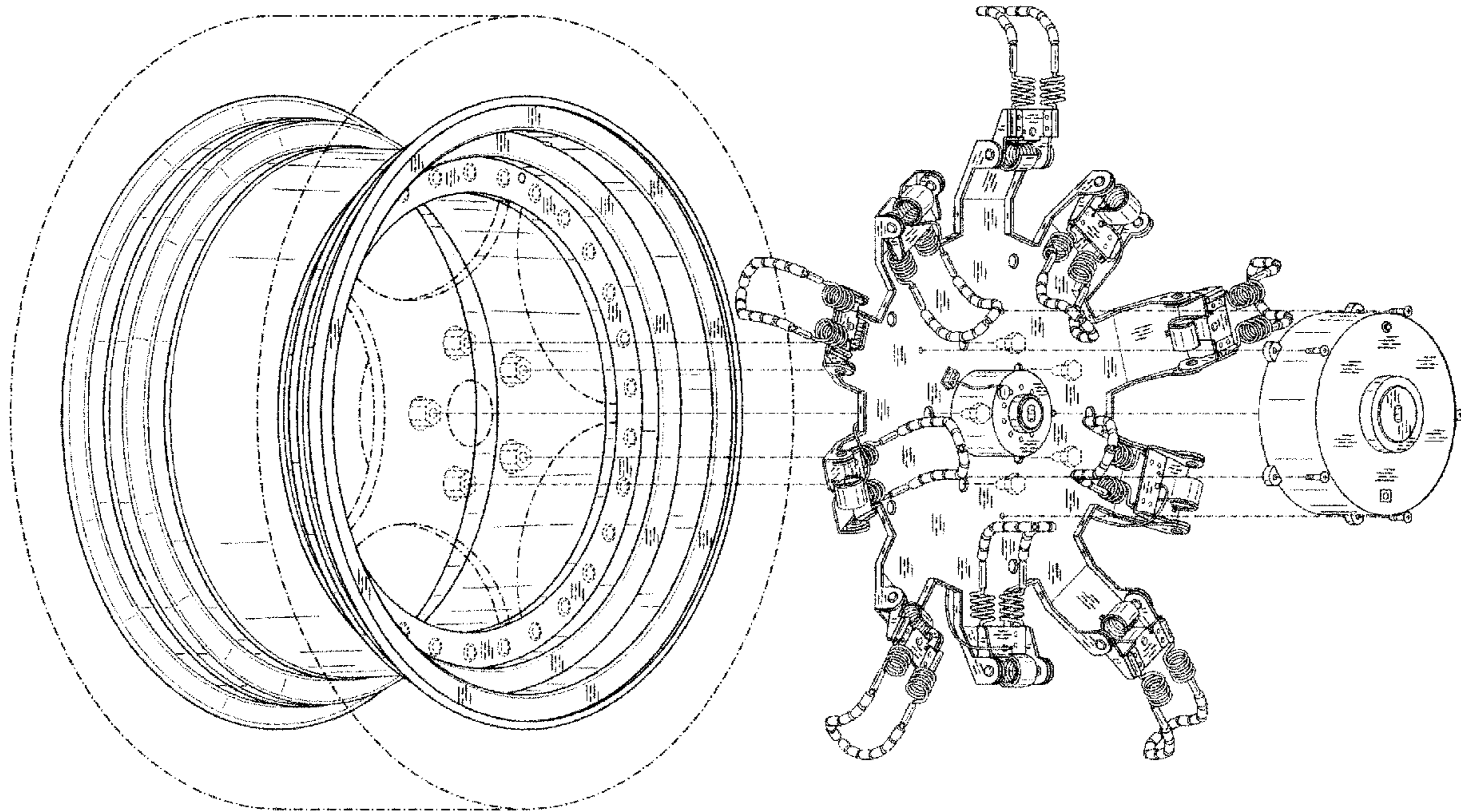


FIG. 1

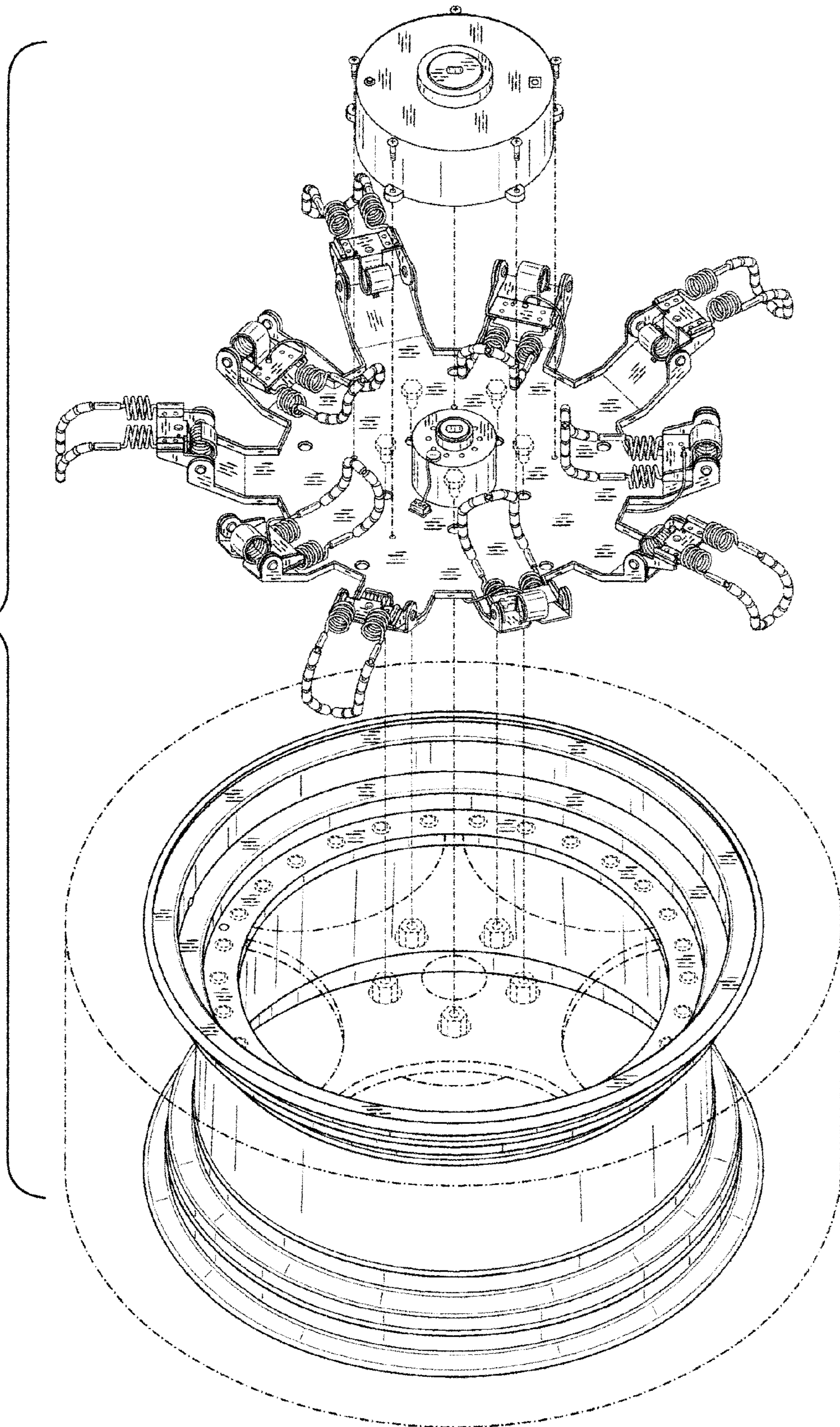


FIG. 2

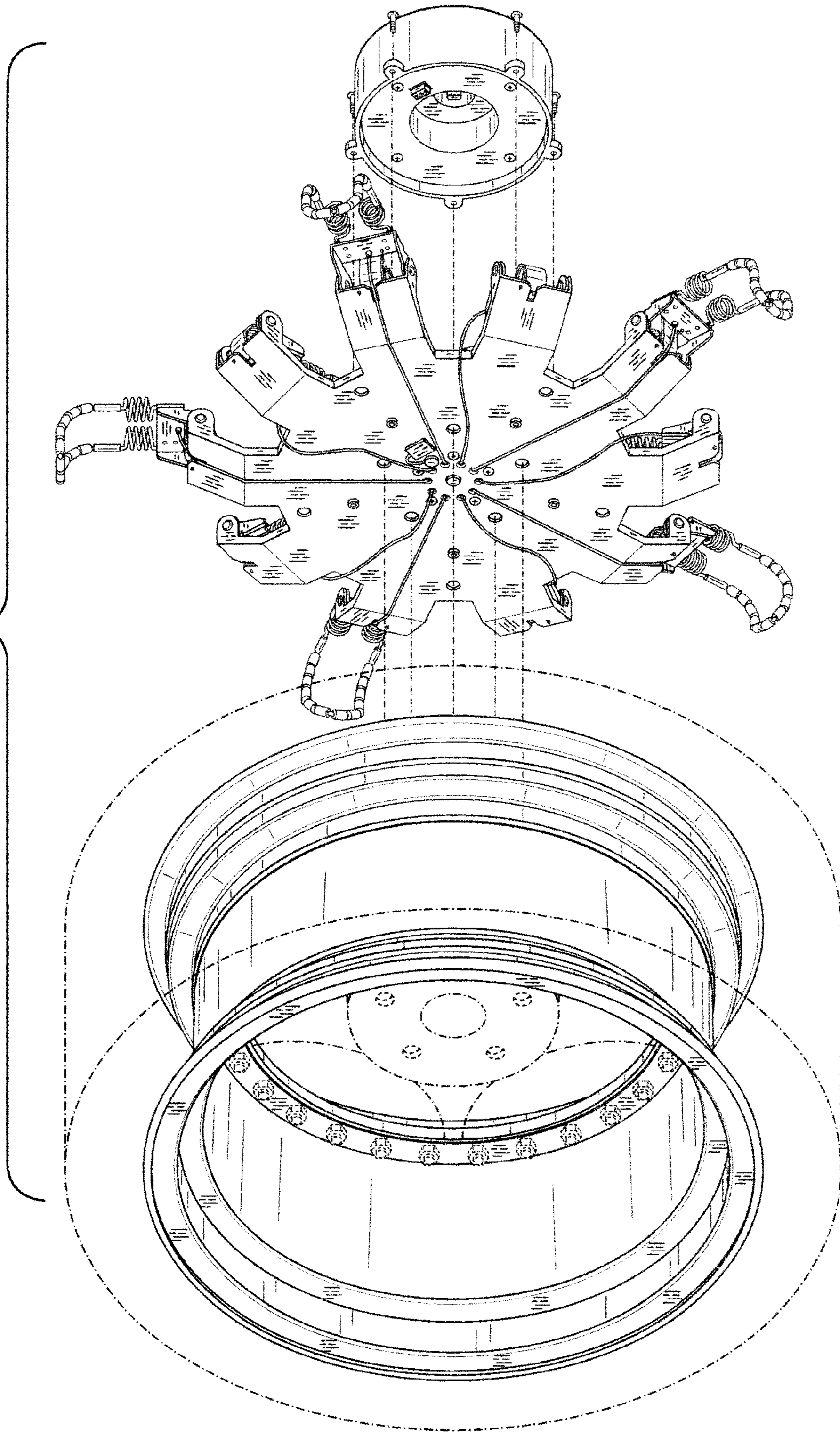


FIG. 3

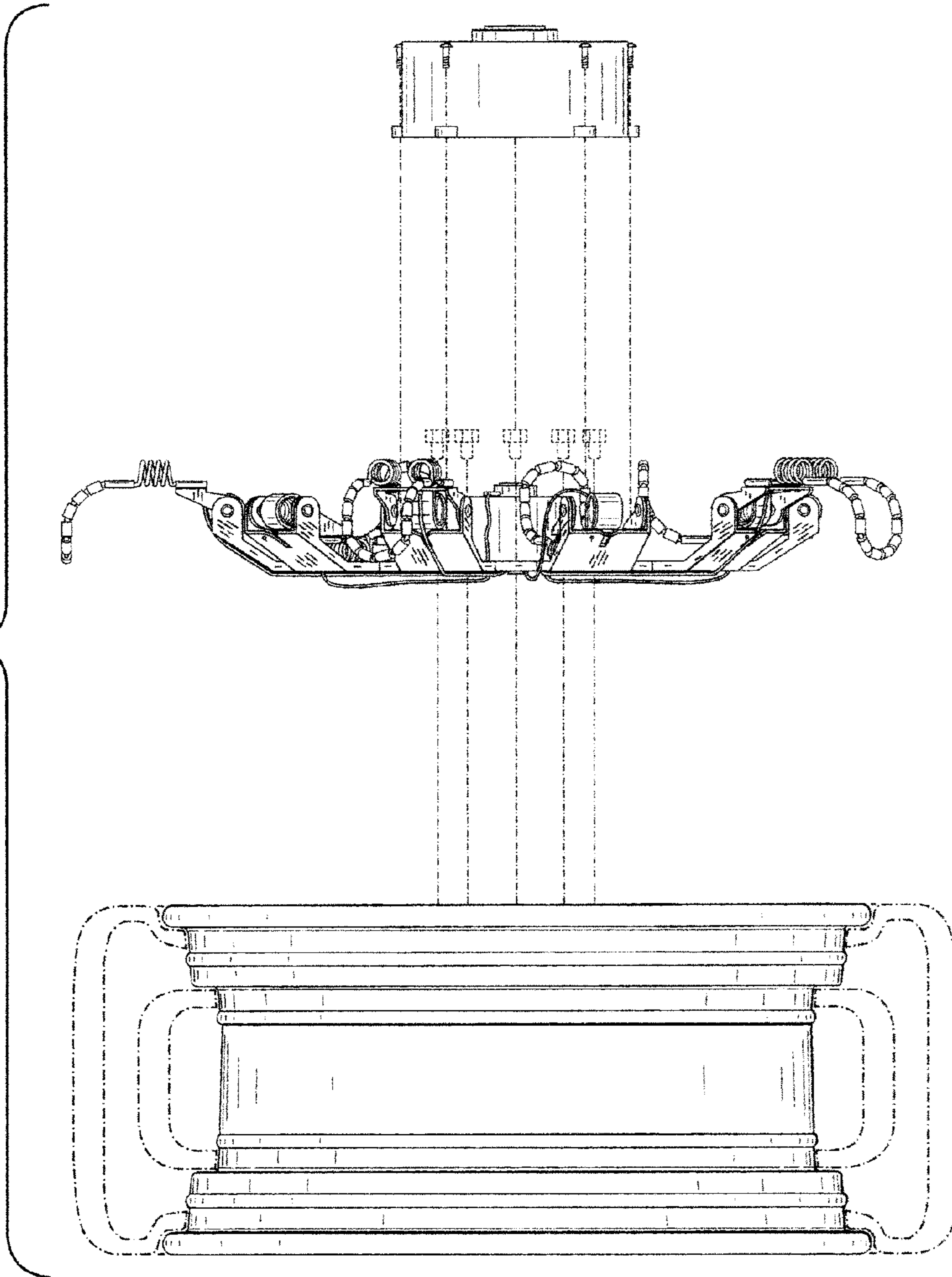


FIG. 4

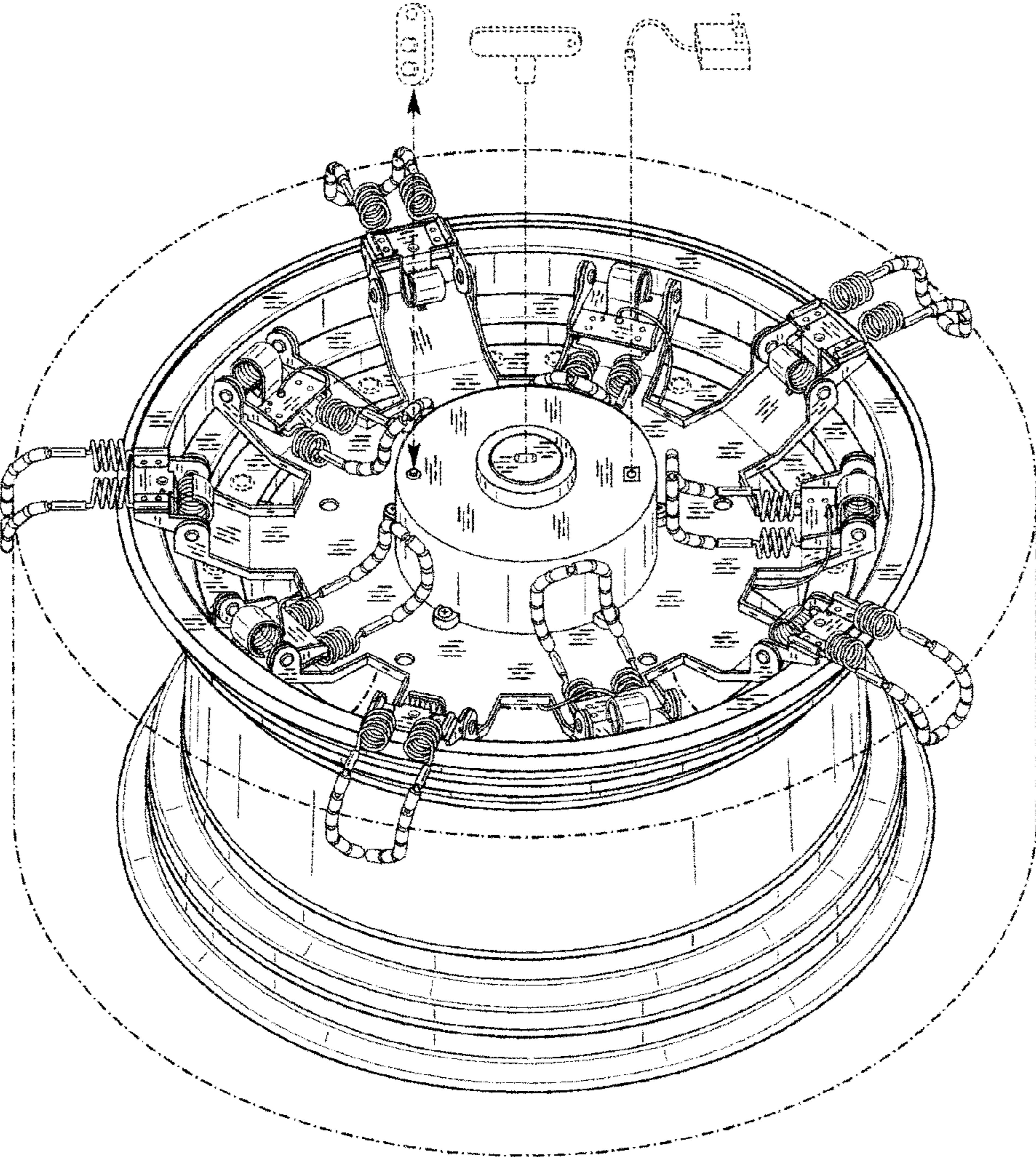


FIG. 6

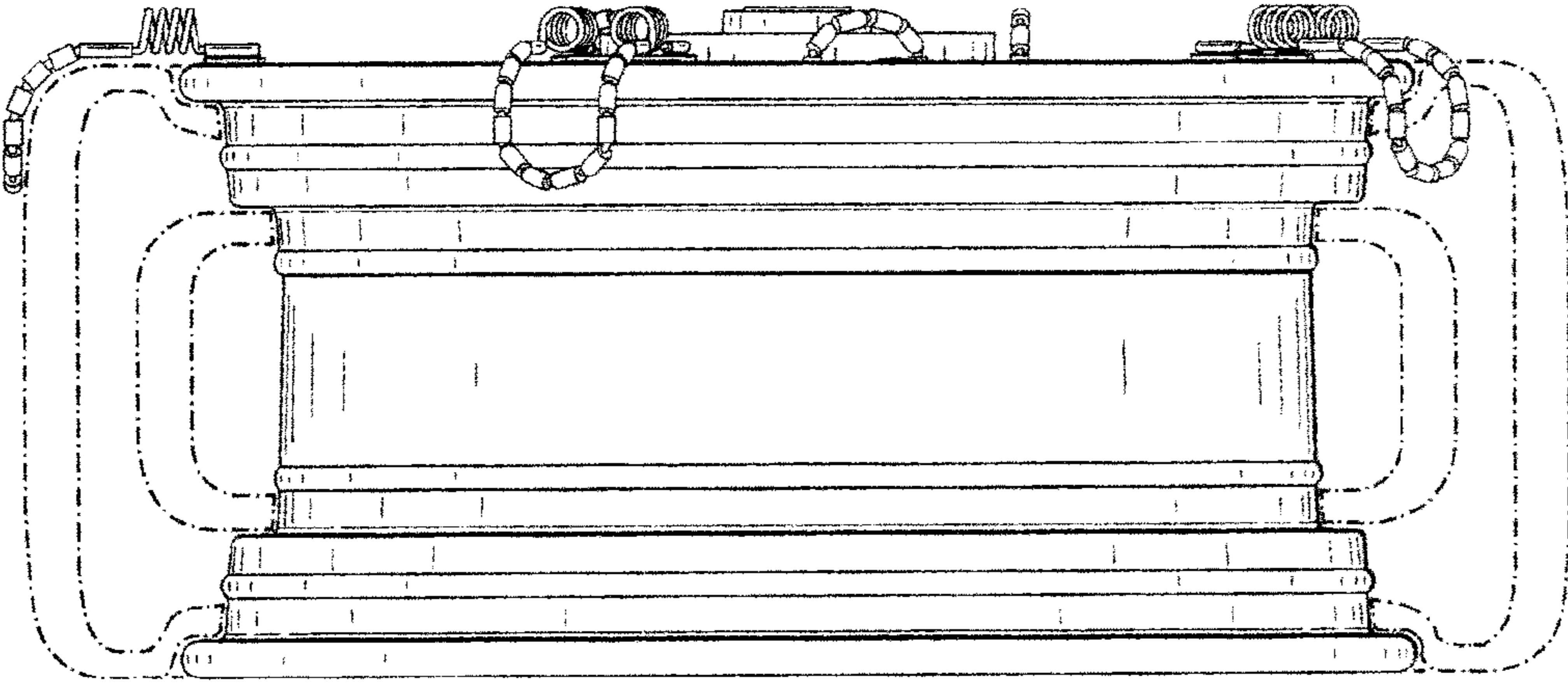


FIG. 5

