



US00D639712S

(12) **United States Design Patent**
Kerr et al.

(10) **Patent No.:** **US D639,712 S**
(45) **Date of Patent:** **** Jun. 14, 2011**

(54) **ROOF STRUCTURE FOR A PASSENGER BUS**

(75) Inventors: **Andrew Kerr**, Winnipeg (CA); **Chris Watson**, Winnipeg (CA); **Ben Chao**, Winnipeg (CA); **Timothy Giesbrecht**, Winnipeg (CA); **Serge Carrier**, St-Jean-Chrysostome (CA)

(73) Assignee: **New Flyer Industries Canada ULC**, Winnipeg (CA)

(**) Term: **14 Years**

(21) Appl. No.: **29/332,861**

(22) Filed: **Feb. 26, 2009**

Related U.S. Application Data

(62) Division of application No. 29/331,953, filed on Feb. 5, 2009.

(51) **LOC (9) Cl.** **12-16**

(52) **U.S. Cl.** **D12/196; D12/84**

(58) **Field of Classification Search** D12/82, D12/84, 196, 96, 97, 181; 296/178, 77.1, 296/78.1; 136/243; 180/225, 229, 233, 311, 180/312, 315

See application file for complete search history.

(56) **References Cited**

U.S. PATENT DOCUMENTS

D254,609 S * 4/1980 Neal et al. D12/84
D255,340 S * 6/1980 Flesche D12/84
D257,141 S * 9/1980 Flesche D12/84

D376,562 S * 12/1996 Sealy et al. D12/84
D503,126 S * 3/2005 Papke et al. D12/84
D522,425 S * 6/2006 Beigel et al. D12/196
D589,420 S * 3/2009 Raghavendran et al. D12/181
D613,224 S * 4/2010 Beigel et al. D12/196
D627,696 S * 11/2010 Yang et al. D12/100

OTHER PUBLICATIONS

Photographs of "Volgabus" dated Oct. 20, 2007.
"Proterra Coach"—San Diego APTA Show, Oct. 2008.

* cited by examiner

Primary Examiner — Melody N Brown

(74) *Attorney, Agent, or Firm* — Ogilvy Renault LLP

(57) **CLAIM**

We claim the ornamental design for a roof structure for a passenger bus, as shown and described.

DESCRIPTION

FIG. 1 is a top, front, and right side perspective view of a roof structure for a passenger bus showing our new design;

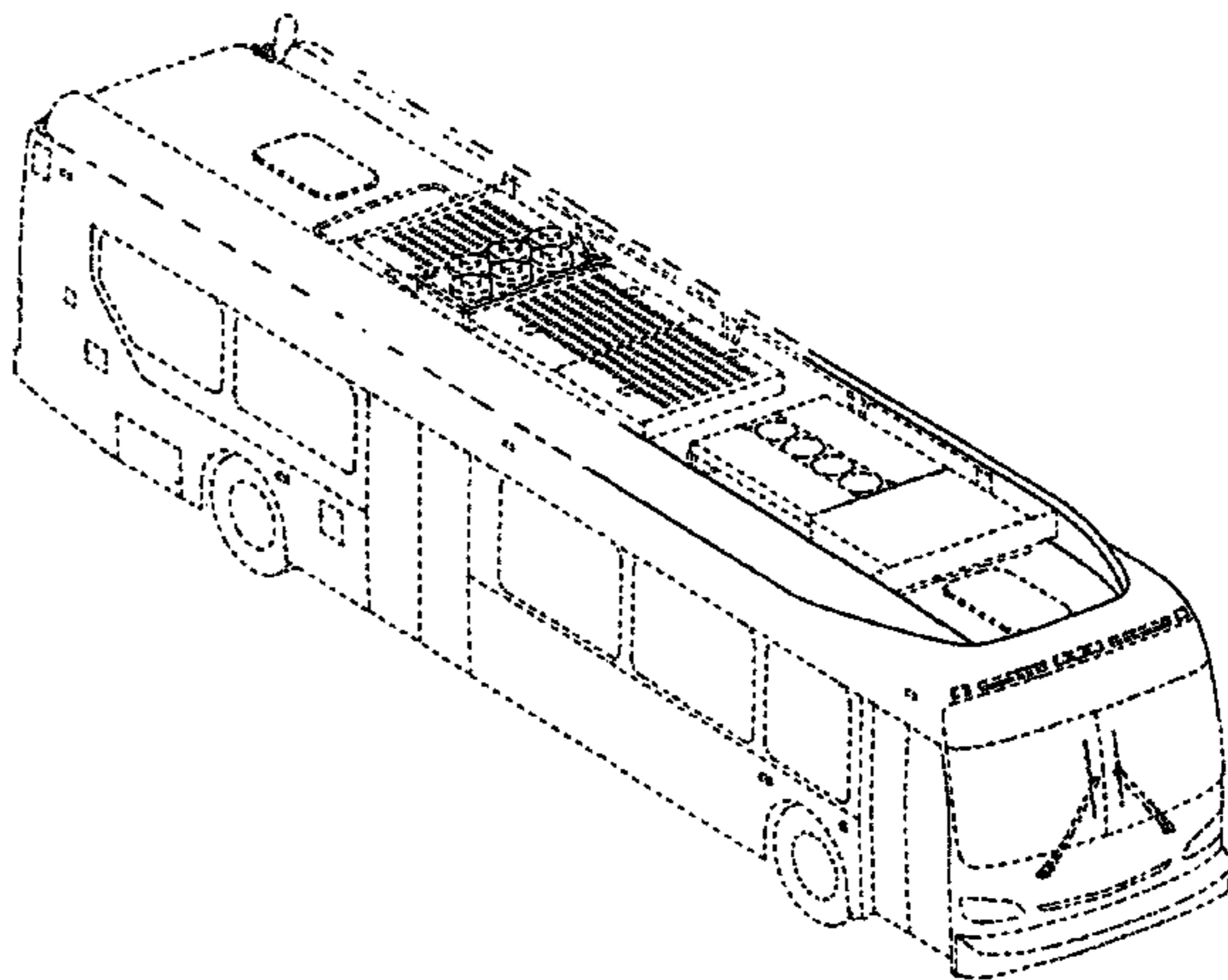
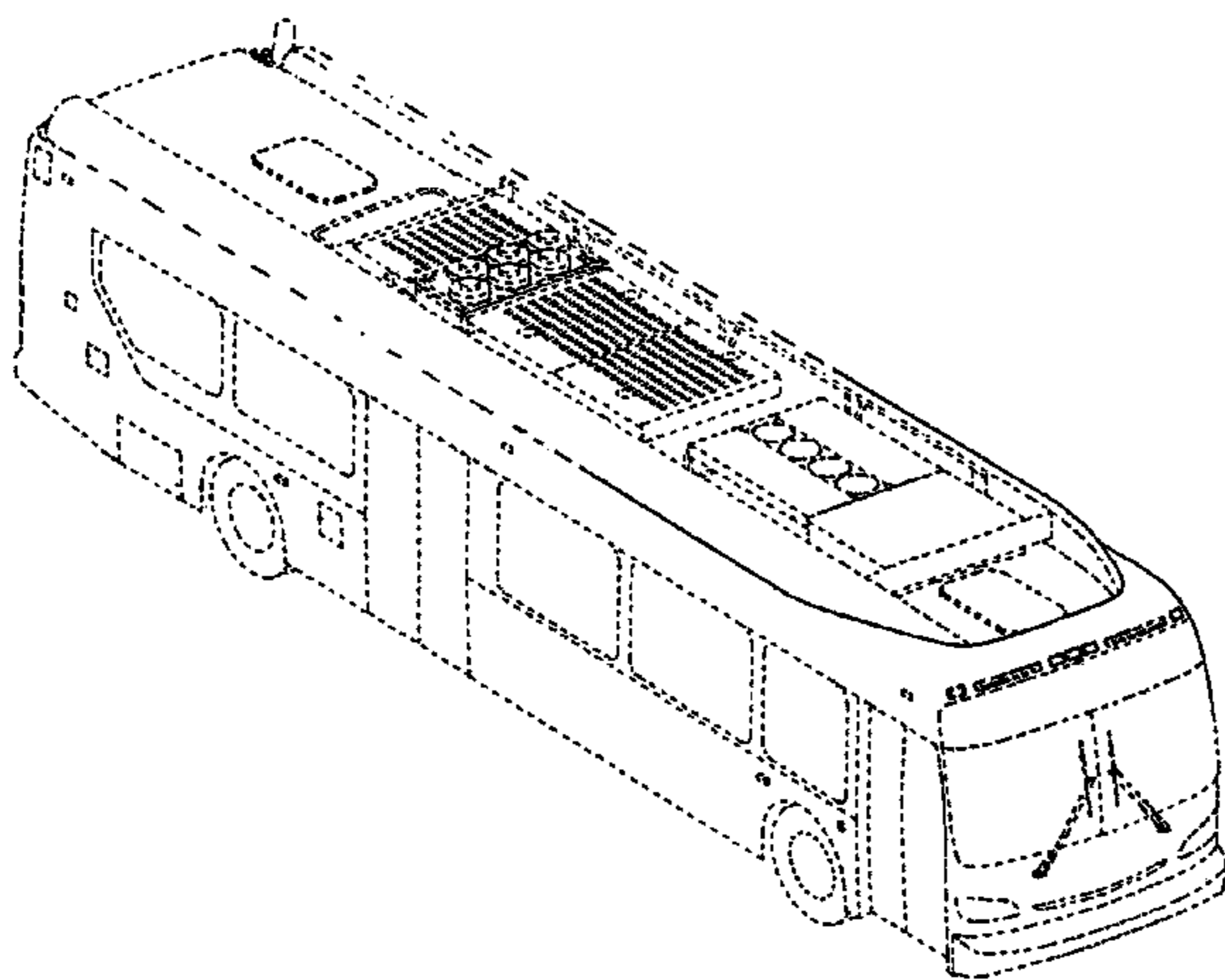
FIG. 2 is a right side elevation view thereof;

FIG. 3 is a top, front, and right side perspective view of a second embodiment of a roof structure for a passenger bus showing our new design; and,

FIG. 4 is a right side elevation view of the embodiment shown in FIG. 3.

Views not shown in the Figures are either not part of the claimed design or are mirror images of those shown. Broken lines are intended to show environments in which the designs may be used and are not intended to form a part of the claimed design.

1 Claim, 4 Drawing Sheets



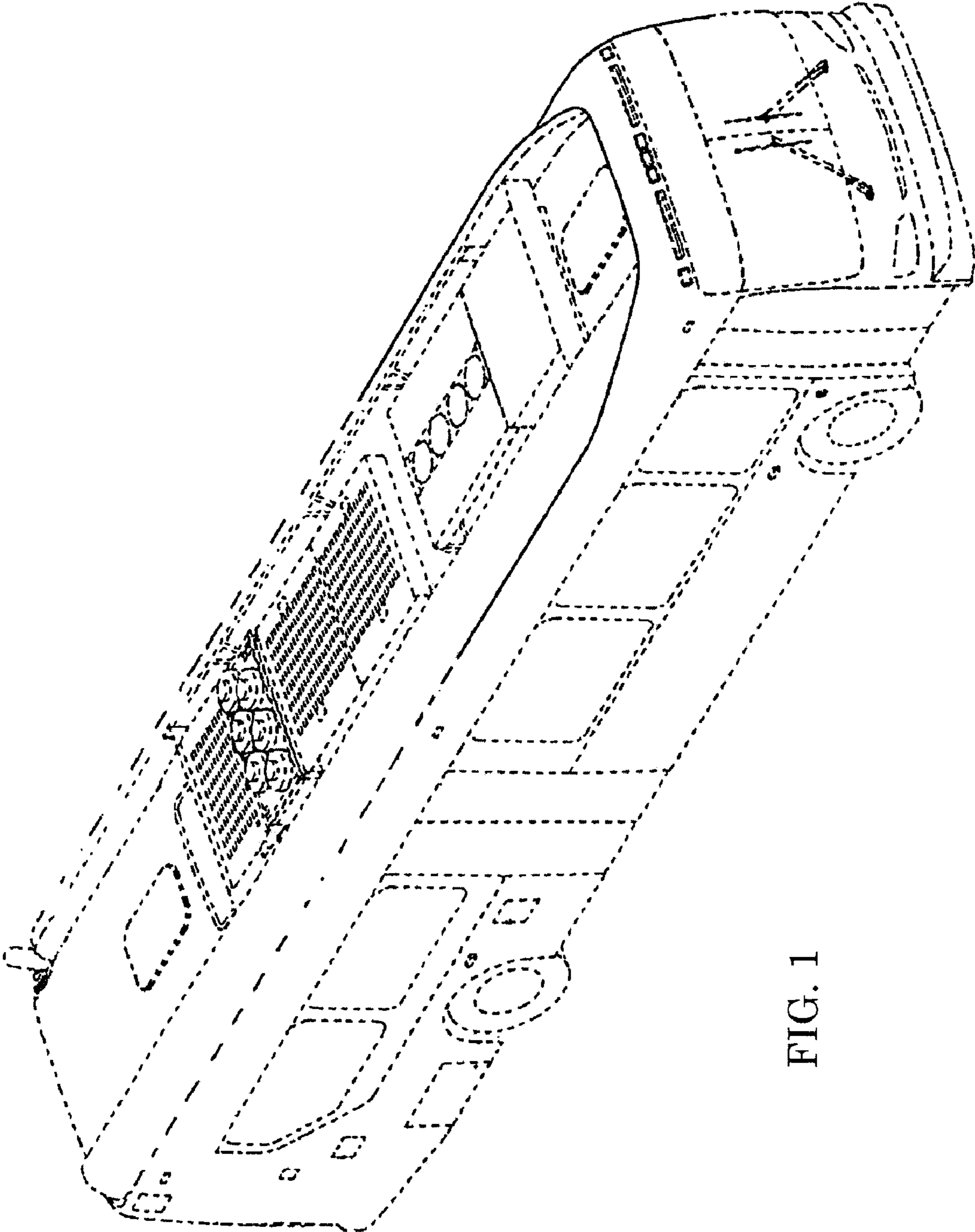


FIG. 1

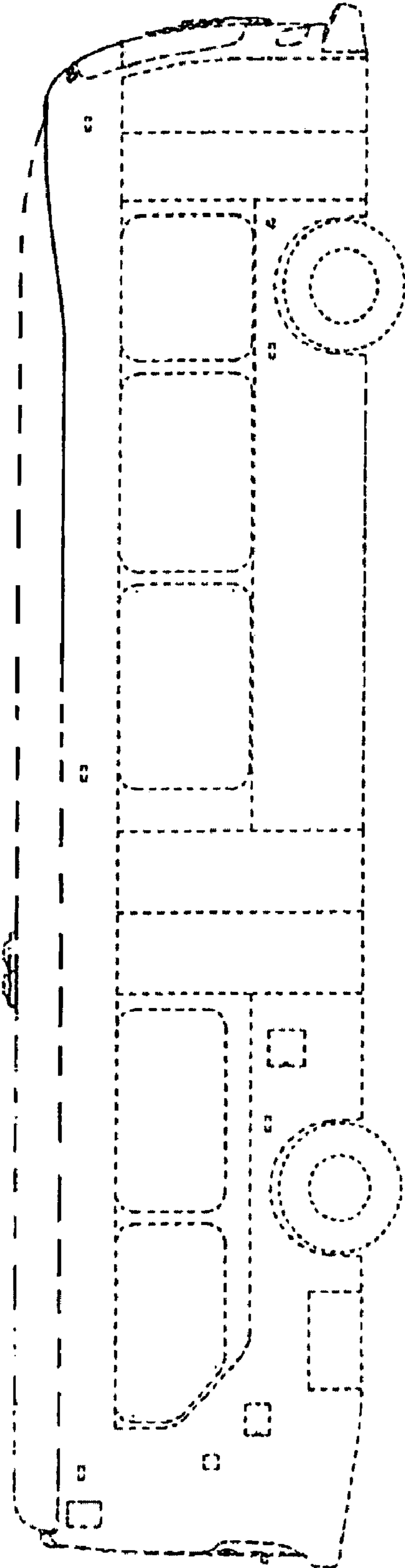


FIG. 2

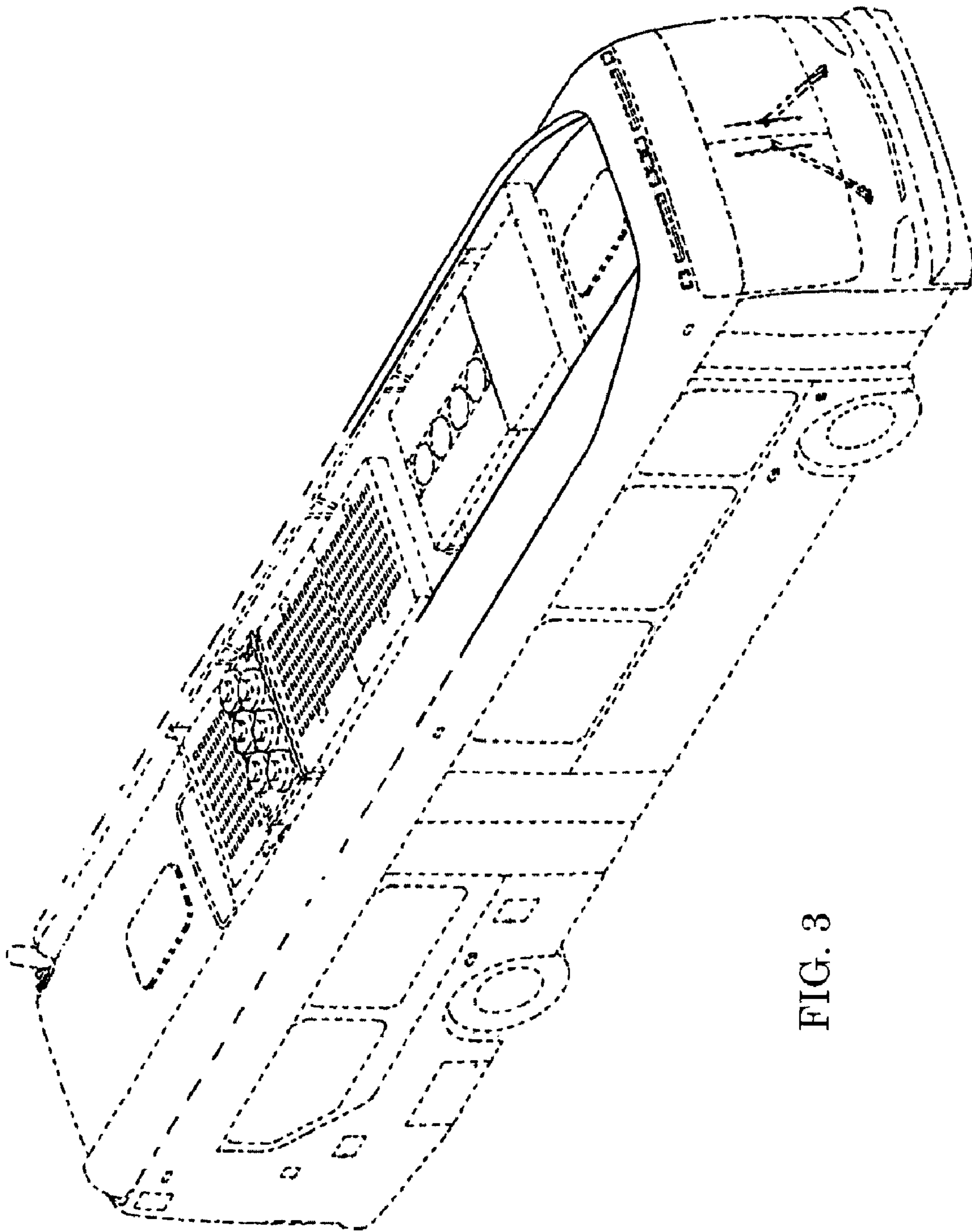


FIG. 3

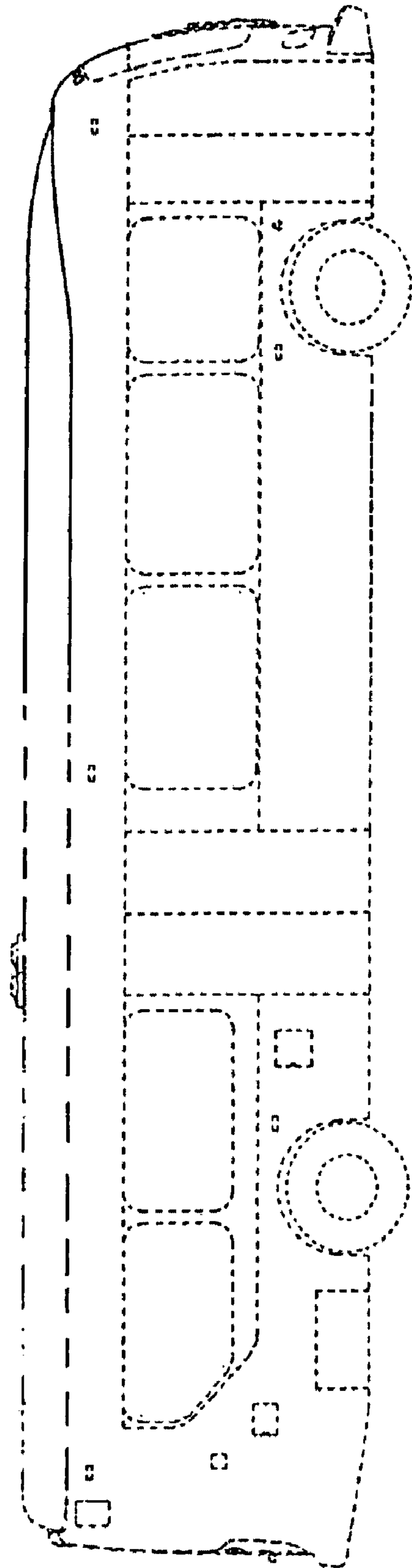


FIG. 4