



US00D639709S

(12) **United States Design Patent**  
**Wanibuchi et al.**

(10) **Patent No.:** **US D639,709 S**  
(45) **Date of Patent:** **\*\* Jun. 14, 2011**

(54) **CLIP FOR A WRISTBAND**

(75) Inventors: **Hiroshi Wanibuchi**, Matsumoto (JP);  
**Masaru Tejima**, Nagareyama (JP);  
**Satoshi Koizumi**, Shiojiri (JP)

(73) Assignee: **Seiko Epson Corporation**, Tokyo (JP)

(\*\*) Term: **14 Years**

(21) Appl. No.: **29/381,159**

(22) Filed: **Dec. 16, 2010**

(30) **Foreign Application Priority Data**

Jul. 8, 2010 (JP) ..... 2010-016686

(51) **LOC (9) Cl.** ..... **02-07**

(52) **U.S. Cl.** ..... **D11/226**

(58) **Field of Classification Search** ..... D11/5,  
D11/200-231, 87; 24/623, 697.2, 688-690,  
24/662, 381, 385, 713.8; 63/20; D8/382,  
D8/394-395; D24/129, 143, 146; 134/6,  
134/137, 142, 901; 15/104.92, 104.93, 214,  
15/244.1; 206/5, 5.1; 215/237, 250, 265,  
215/834, 839; D28/66; D3/201, 203.2, 203.3,  
D3/203.5, 205, 263, 264, 289, 295; D7/607,  
D7/609; D9/436, 446, 447, 449, 450, 451,  
D9/453, 454, 529, 574, 732

See application file for complete search history.

(56) **References Cited**

**U.S. PATENT DOCUMENTS**

3,394,717	A *	7/1968	Hollinger	134/137
3,741,377	A *	6/1973	Krellen	206/5
D232,523	S *	8/1974	Nudell	D3/203.3
D244,490	S *	5/1977	Peterson	D3/264
D246,508	S *	11/1977	Nudell	D3/203.3
D317,527	S *	6/1991	Bonelli	D3/264
5,133,470	A *	7/1992	Abrams et al.	215/250
D383,414	S *	9/1997	McDonough	D11/220
D407,645	S *	4/1999	Mogard	D9/449
D407,646	S *	4/1999	Mogard	D9/449
D411,478	S *	6/1999	Kenagy	D11/87
D418,288	S *	1/2000	Priebe	D3/203.3

D427,427	S *	7/2000	Davis	D3/203.5
D427,906	S *	7/2000	Carter	D9/436
D438,799	S *	3/2001	Anderson	D9/449
D439,147	S *	3/2001	Kenagy	D8/382
D447,416	S *	9/2001	Anderson	D9/451
D463,907	S *	10/2002	Lemoine	D3/205
D465,843	S *	11/2002	Guala	D24/129
D471,356	S *	3/2003	Eaton	D3/264

(Continued)

**FOREIGN PATENT DOCUMENTS**

JP 1144936 6/2002

(Continued)

*Primary Examiner* — T. Chase Nelson

*Assistant Examiner* — Mark Cavanna

(57) **CLAIM**

The ornamental design for a clip for a wristband, as shown and described.

**DESCRIPTION**

FIG. 1 is a top, front and right side perspective view of a clip for a wristband showing our new design;

FIG. 2 is a bottom, rear and left side perspective view thereof;

FIG. 3 is a front view thereof, the rear view being a mirror image of FIG. 3;

FIG. 4 is a top plan view thereof;

FIG. 5 is a bottom plan view thereof;

FIG. 6 is a right side elevational view thereof;

FIG. 7 is a left side elevational view thereof;

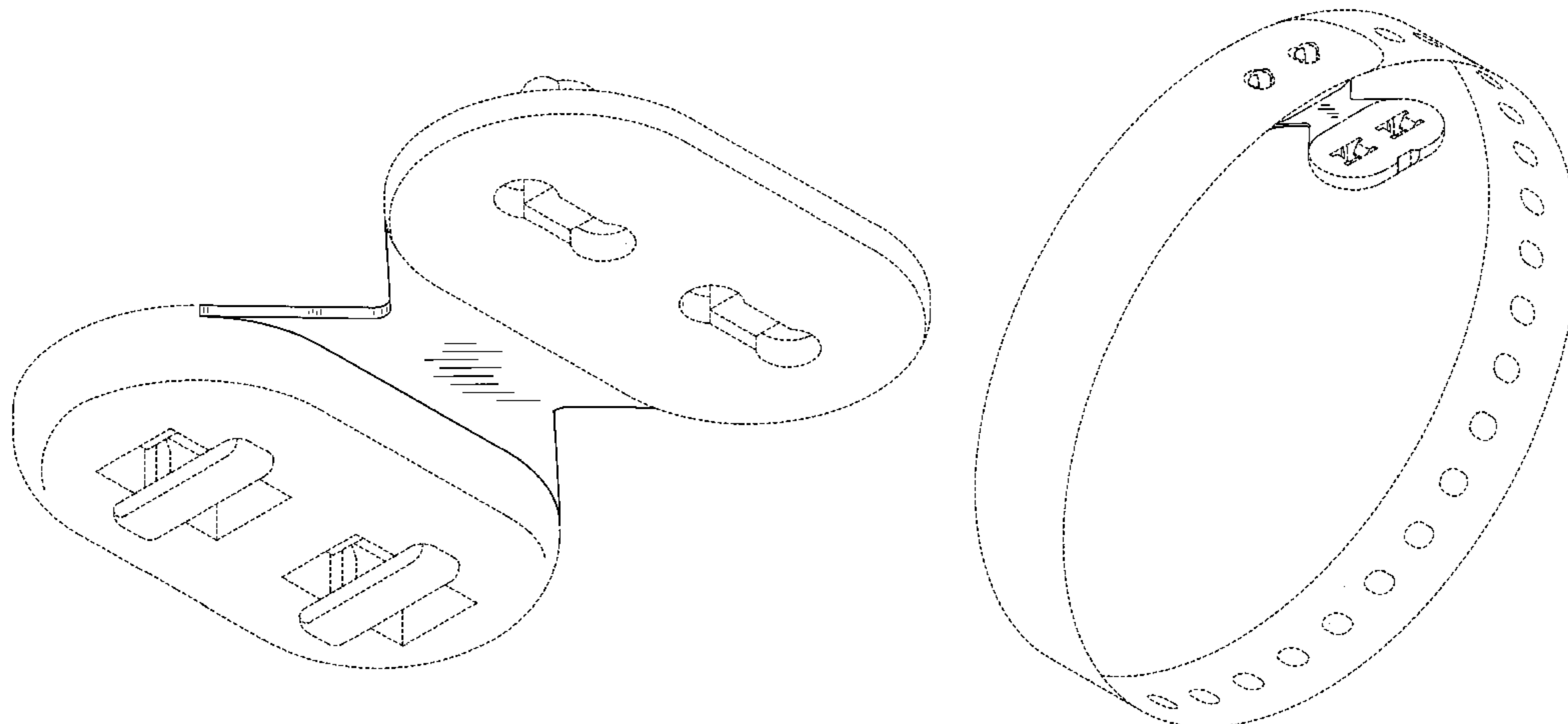
FIG. 8 is a cross-sectional view taken along line 8—8 in FIG. 4;

FIG. 9 is a perspective view showing the article in a closed state; and,

FIG. 10 is a perspective view showing the article attached to a wristband.

The broken lines formed by dashes are shown for illustrative purposes only and form no part of the claimed design. The broken lines formed by a shorter dash between longer dashes define the boundaries of the claimed design but form no part thereof.

**1 Claim, 9 Drawing Sheets**



# US D639,709 S

Page 2

## U.S. PATENT DOCUMENTS

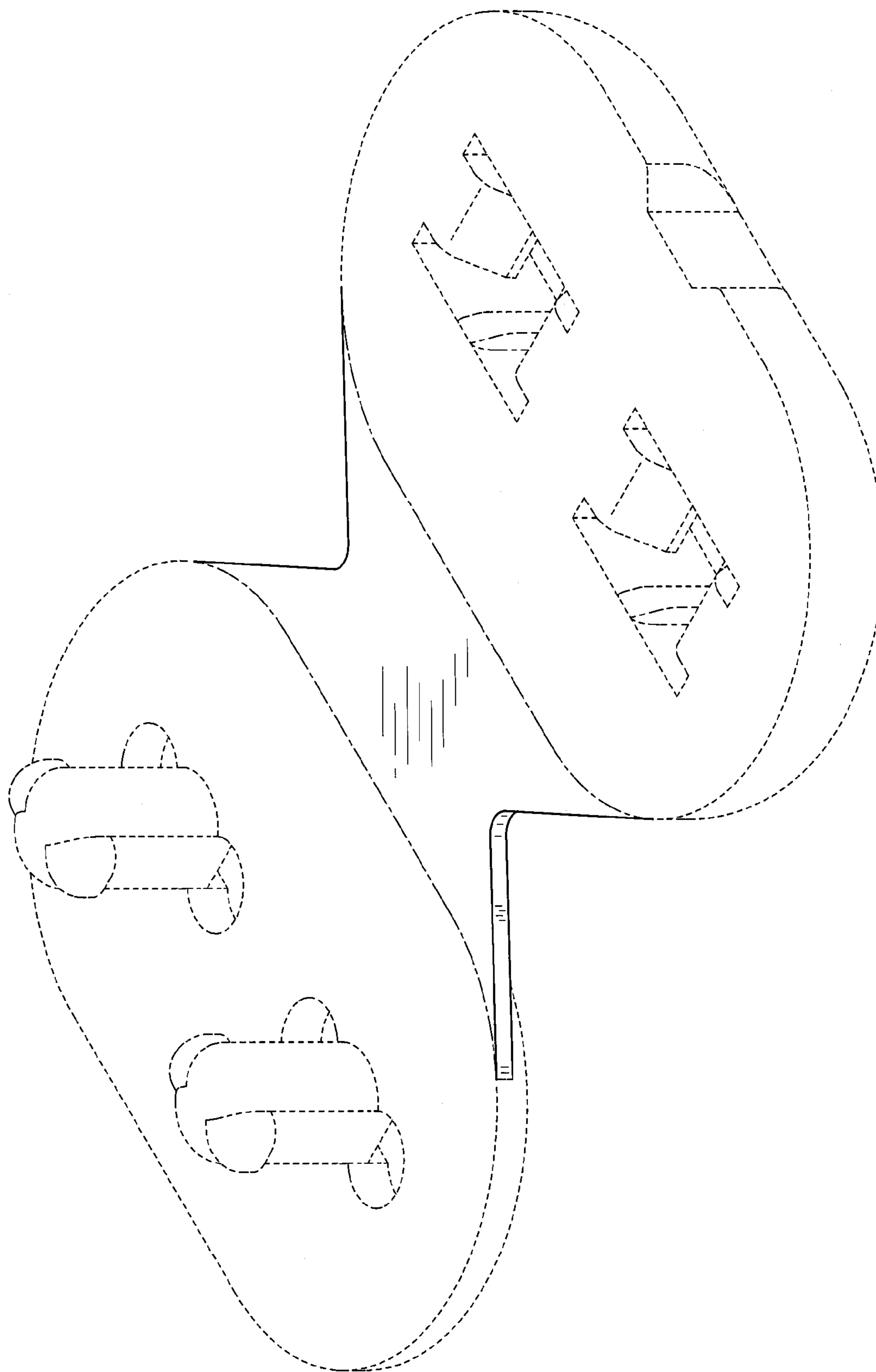
D495,957 S \* 9/2004 Bakic ..... D9/529  
D498,584 S \* 11/2004 DiMarchi et al. .... D3/203.2  
D519,052 S \* 4/2006 Watanabe ..... D11/5  
D524,650 S \* 7/2006 Sitomer ..... D9/449  
D528,782 S \* 9/2006 Oas ..... D3/203.3  
D529,374 S \* 10/2006 Watanabe ..... D8/395  
D536,253 S \* 2/2007 Howes et al. .... D9/529  
D543,120 S \* 5/2007 Coe et al. .... D9/732  
D543,316 S \* 5/2007 Hadtke et al. .... D28/66  
D547,184 S \* 7/2007 Kim et al. .... D9/449  
D565,408 S \* 4/2008 Kick ..... D9/449  
D571,555 S \* 6/2008 Maraia et al. .... D3/264  
D577,287 S \* 9/2008 Haltom, III ..... D9/449

D584,186 S \* 1/2009 Levin ..... D11/226  
D593,680 S \* 6/2009 Hafele et al. .... D24/143  
D598,253 S \* 8/2009 Lesser ..... D7/709  
D613,599 S \* 4/2010 Khubani ..... D9/446  
D627,151 S \* 11/2010 Young et al. .... D3/203.3  
2002/0069896 A1\* 6/2002 Pankow ..... 134/6  
2005/0133382 A1\* 6/2005 Gerard et al. .... 206/5.1

## FOREIGN PATENT DOCUMENTS

JP 1164998 2/2003  
JP 1215846 8/2004  
JP 1216699 9/2004

\* cited by examiner



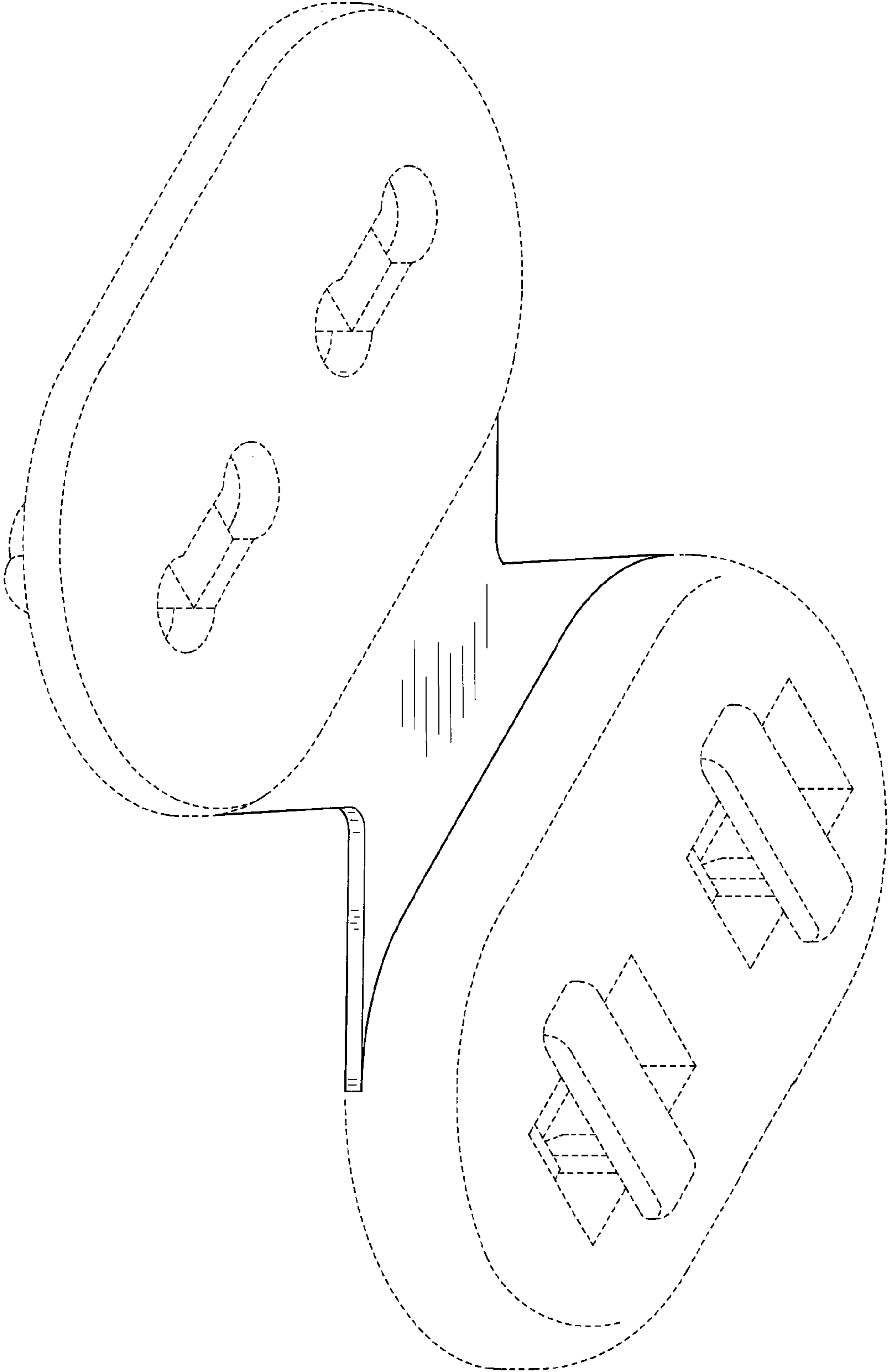


Fig. 2

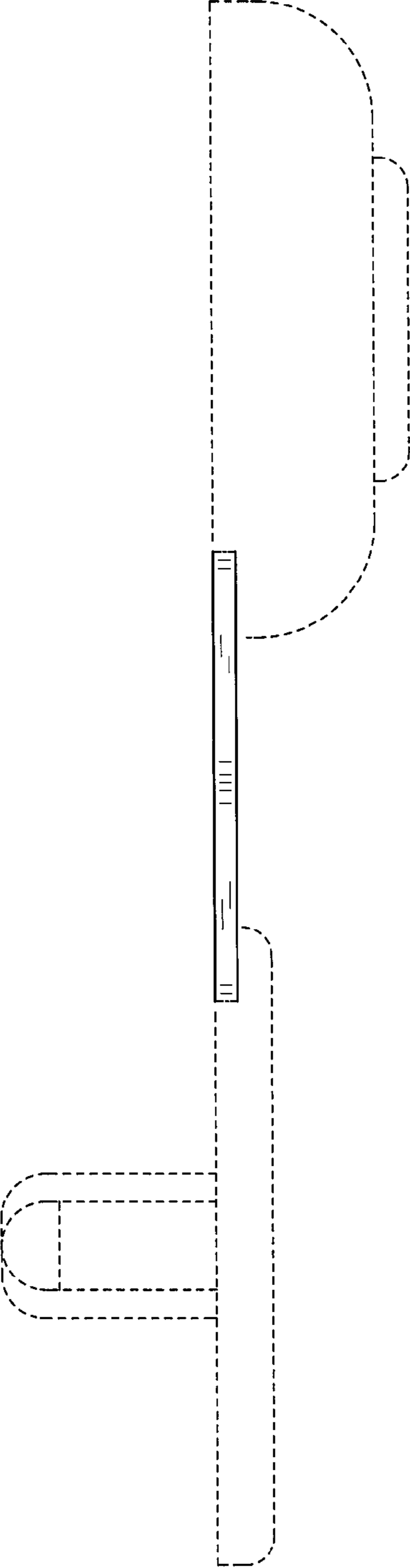


Fig. 3

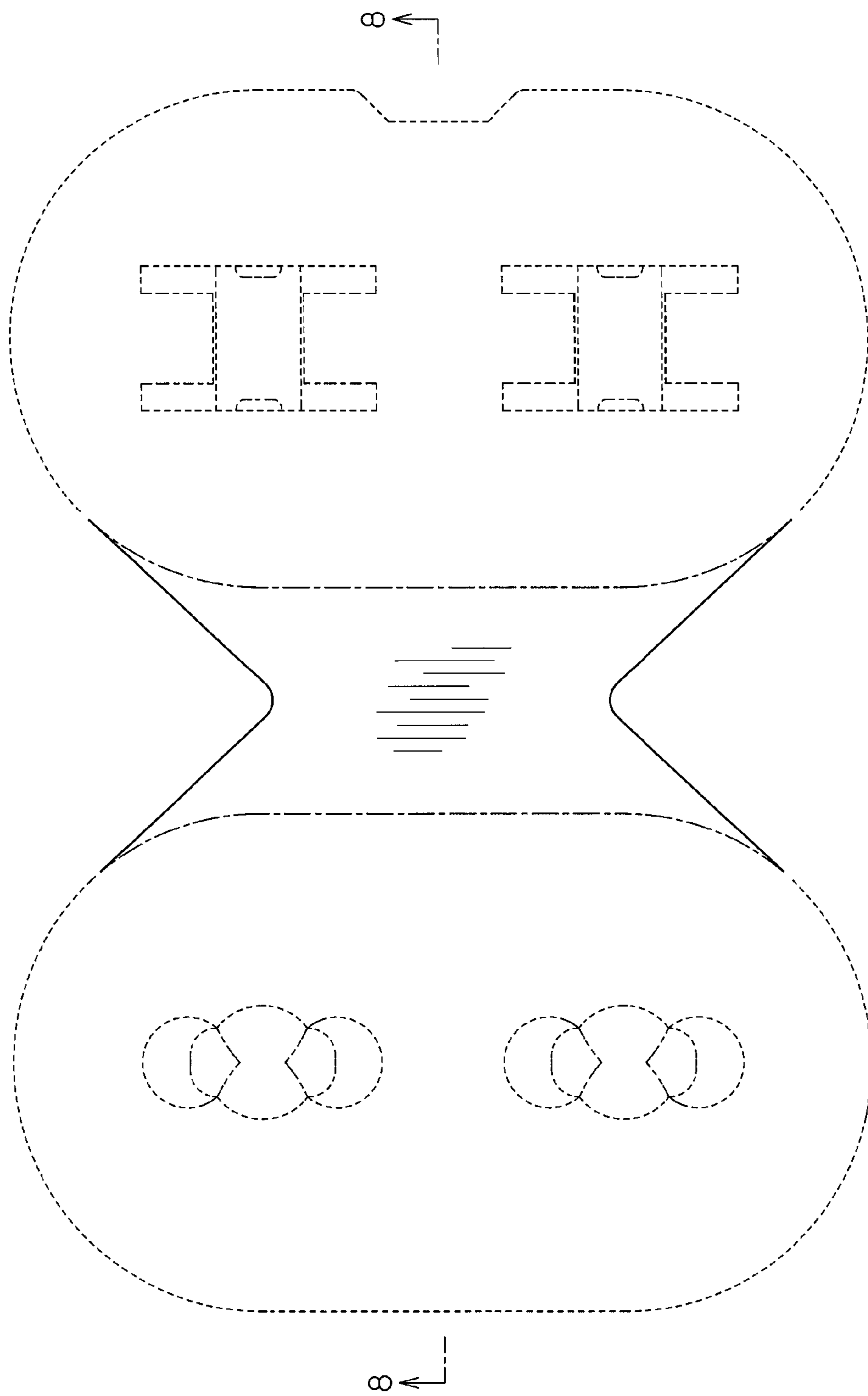


Fig. 4

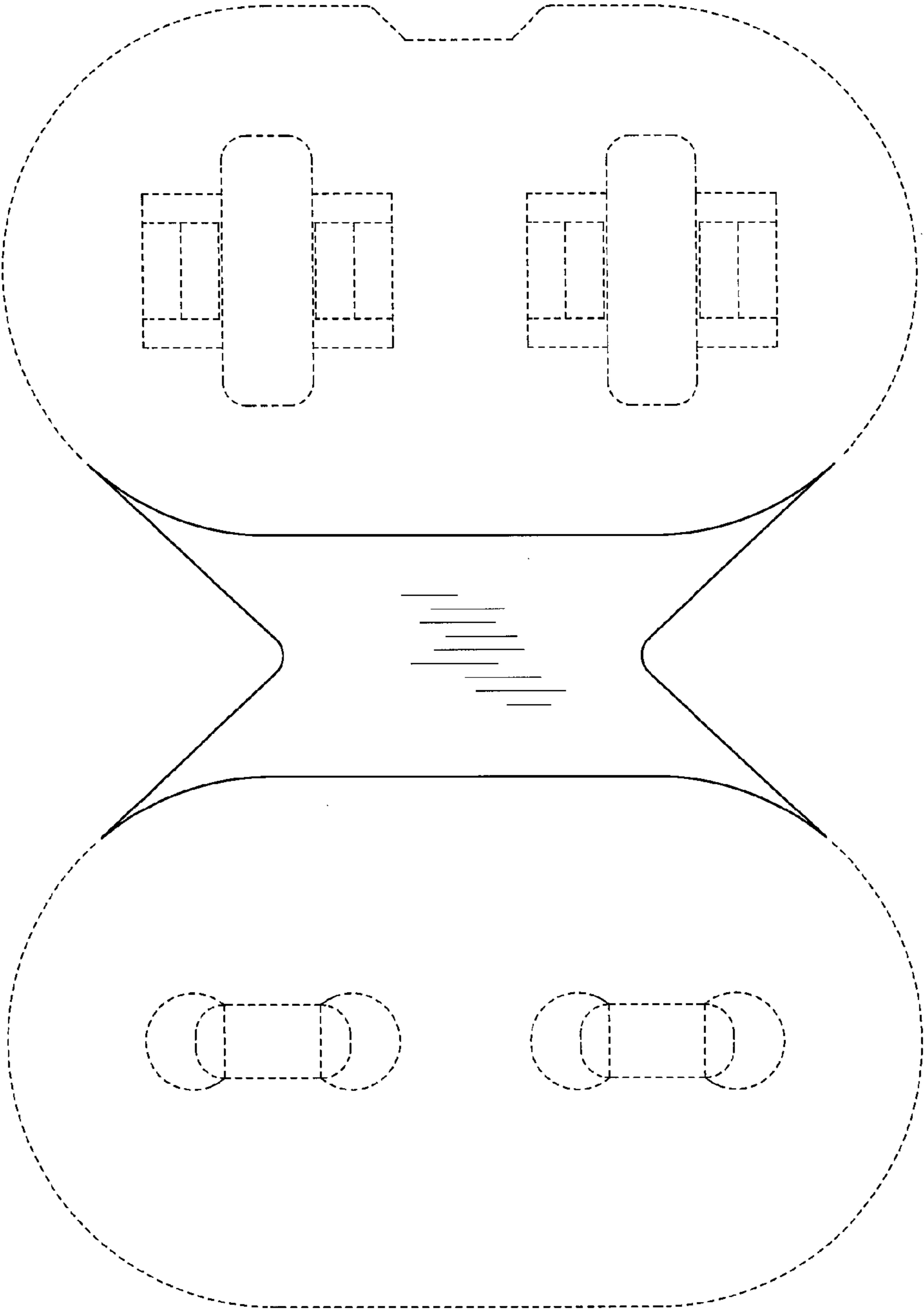
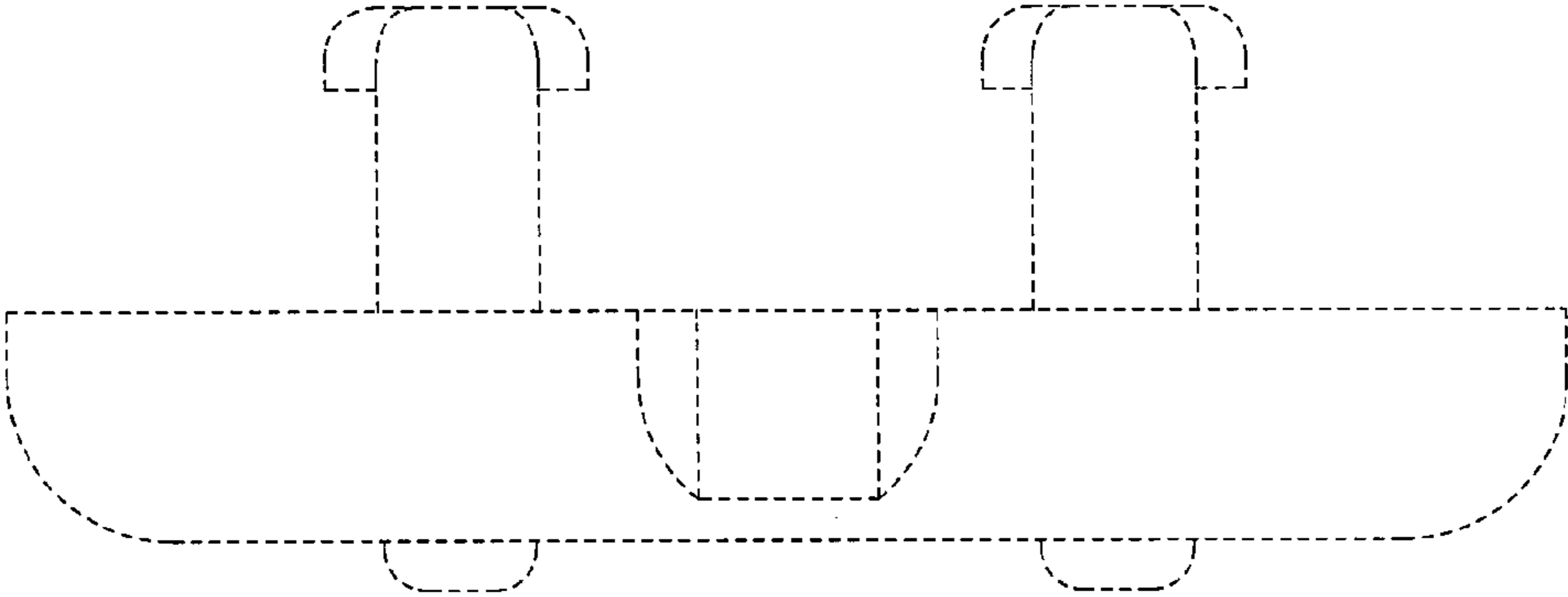
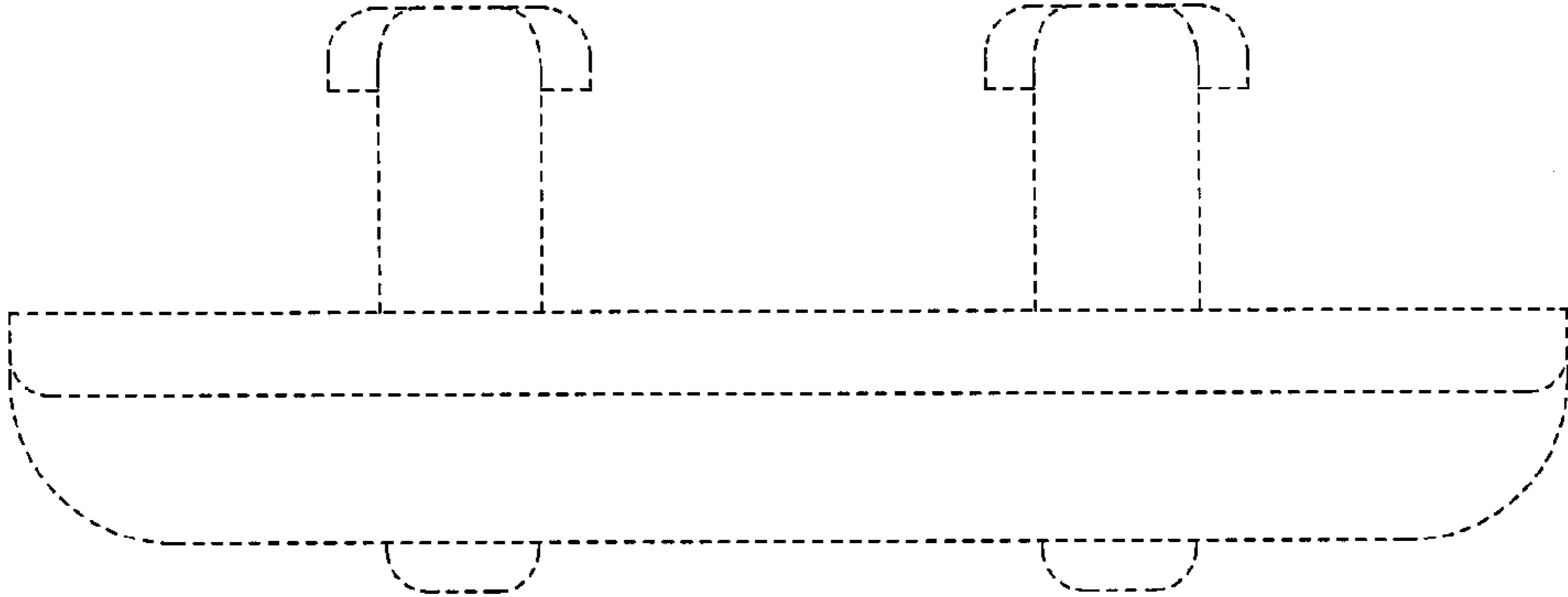


Fig. 5

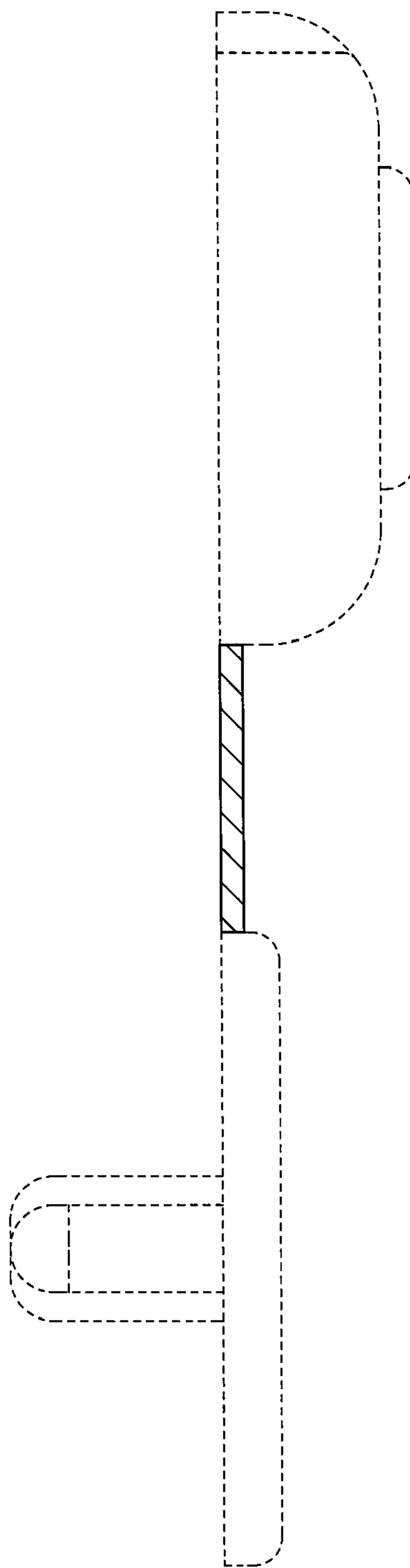
**Fig. 6**



**Fig. 7**







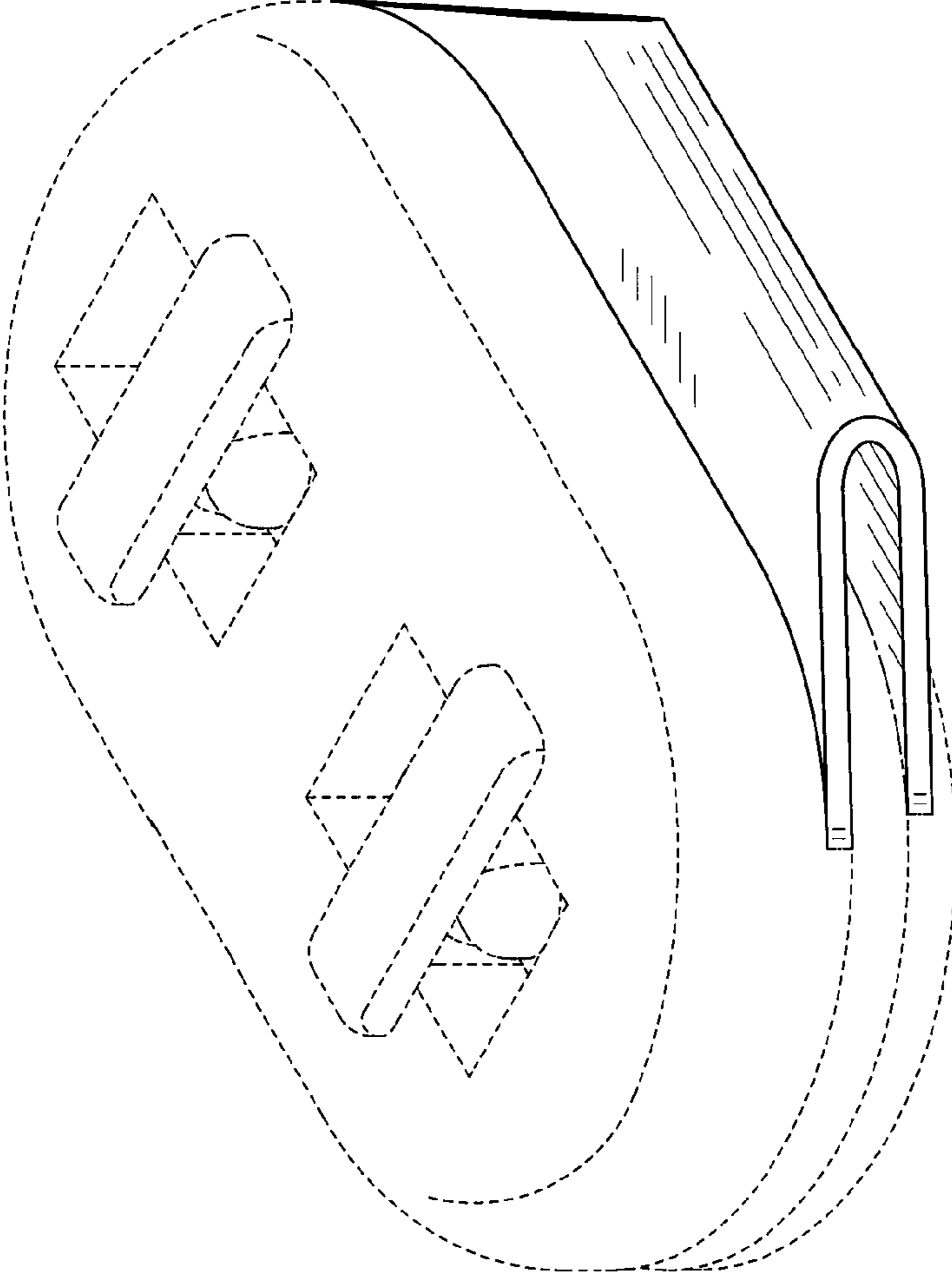


Fig. 9

**Fig. 10**

