



US00D639707S

(12) **United States Design Patent**
Caskey et al.

(10) **Patent No.:** **US D639,707 S**

(45) **Date of Patent:** **** Jun. 14, 2011**

(54) **CHARGE CLIP**

(75) Inventors: **Henry Dale Caskey**, Cicero, IN (US);
David Anthony Benedetti, Carmel, IN (US)

(73) Assignee: **Audiovox Corporation**, Hauppauge, NY (US)

(**) Term: **14 Years**

(21) Appl. No.: **29/349,288**

(22) Filed: **Mar. 22, 2010**

(51) **LOC (9) Cl.** **02-07**

(52) **U.S. Cl.** **D11/201; D13/108**

(58) **Field of Classification Search** D11/1-2,
D11/200-201, 206-210, 214-218; 24/163 R,
24/169-171, 173, 177-179, 191, 194-195,
24/197, 200, 614-616, 625; D13/119, 120,
D13/108; 320/170

See application file for complete search history.

(56) **References Cited**

U.S. PATENT DOCUMENTS

D316,484 S *	4/1991	Kounis et al.	D3/221
D348,775 S *	7/1994	Scheid	D3/218
D379,160 S *	5/1997	Johansson et al.	D11/216
D415,067 S *	10/1999	Tung	D11/200
D434,344 S *	11/2000	Nezu	D11/216

D447,087 S *	8/2001	Hodge	D11/200
D461,746 S *	8/2002	Olson et al.	D11/201
D477,792 S *	7/2003	Kaneko et al.	D11/200
D567,708 S *	4/2008	Jallen	D11/200
D568,785 S *	5/2008	Yang et al.	D11/218
D586,691 S *	2/2009	Snell	D11/214
D606,545 S *	12/2009	Salmon	D14/434
D616,817 S *	6/2010	Walker et al.	D13/119

* cited by examiner

Primary Examiner — Ralf Seifert

(74) *Attorney, Agent, or Firm* — Gerald T. Bodner

(57) **CLAIM**

The ornamental design for a charge clip, as shown and described.

DESCRIPTION

FIG. 1 is a front perspective view of a charge clip showing our new design;

FIG. 2 is a front elevational view thereof;

FIG. 3 is a rear elevational view thereof;

FIG. 4 is a right elevational view thereof, a left elevational view thereof being a mirror image of the right elevational view shown in FIG. 4;

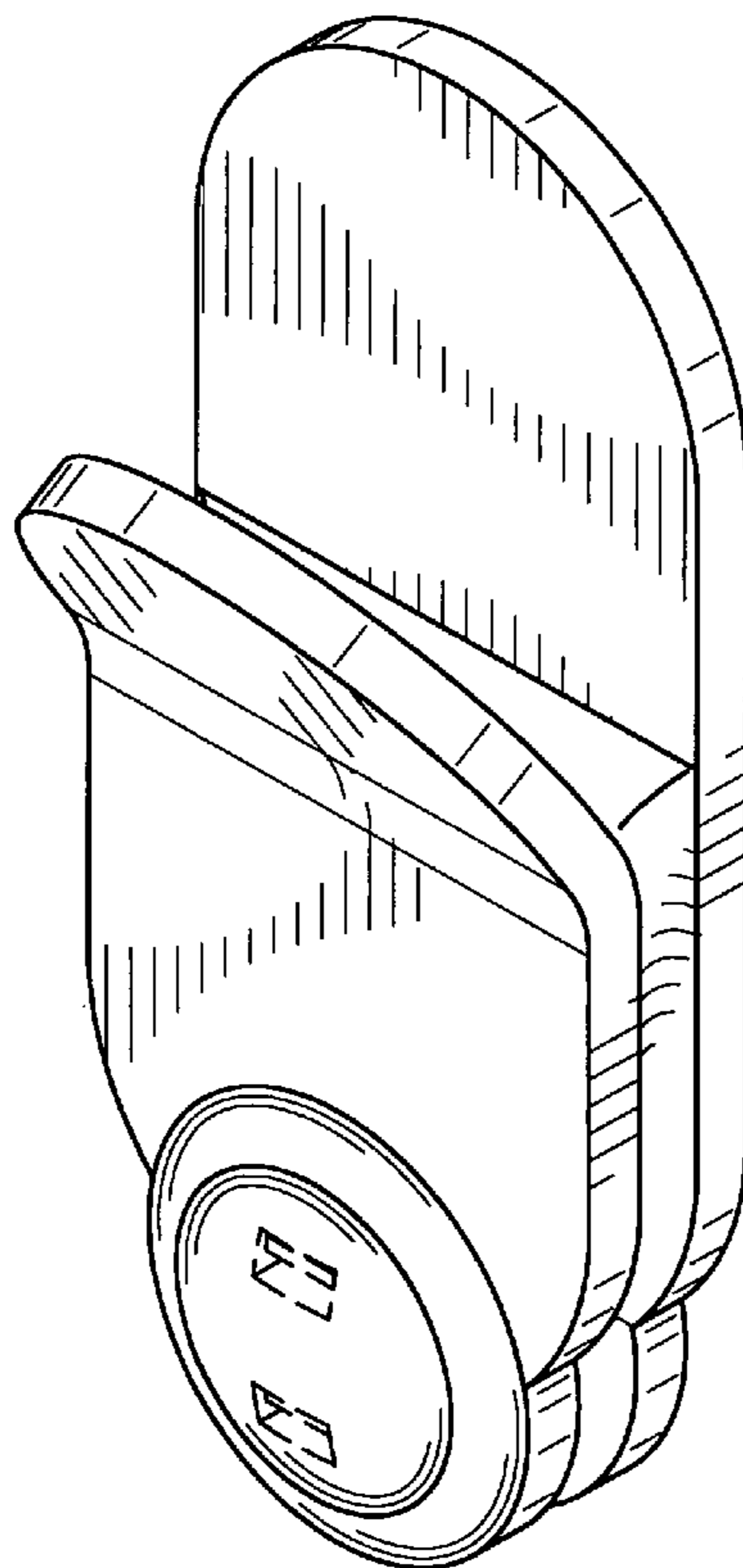
FIG. 5 is a top plan view thereof;

FIG. 6 is a bottom plan view thereof; and,

FIG. 7 is a rear perspective view thereof.

The broken lines are for illustrative purposes only and form no part of the claimed design.

1 Claim, 4 Drawing Sheets



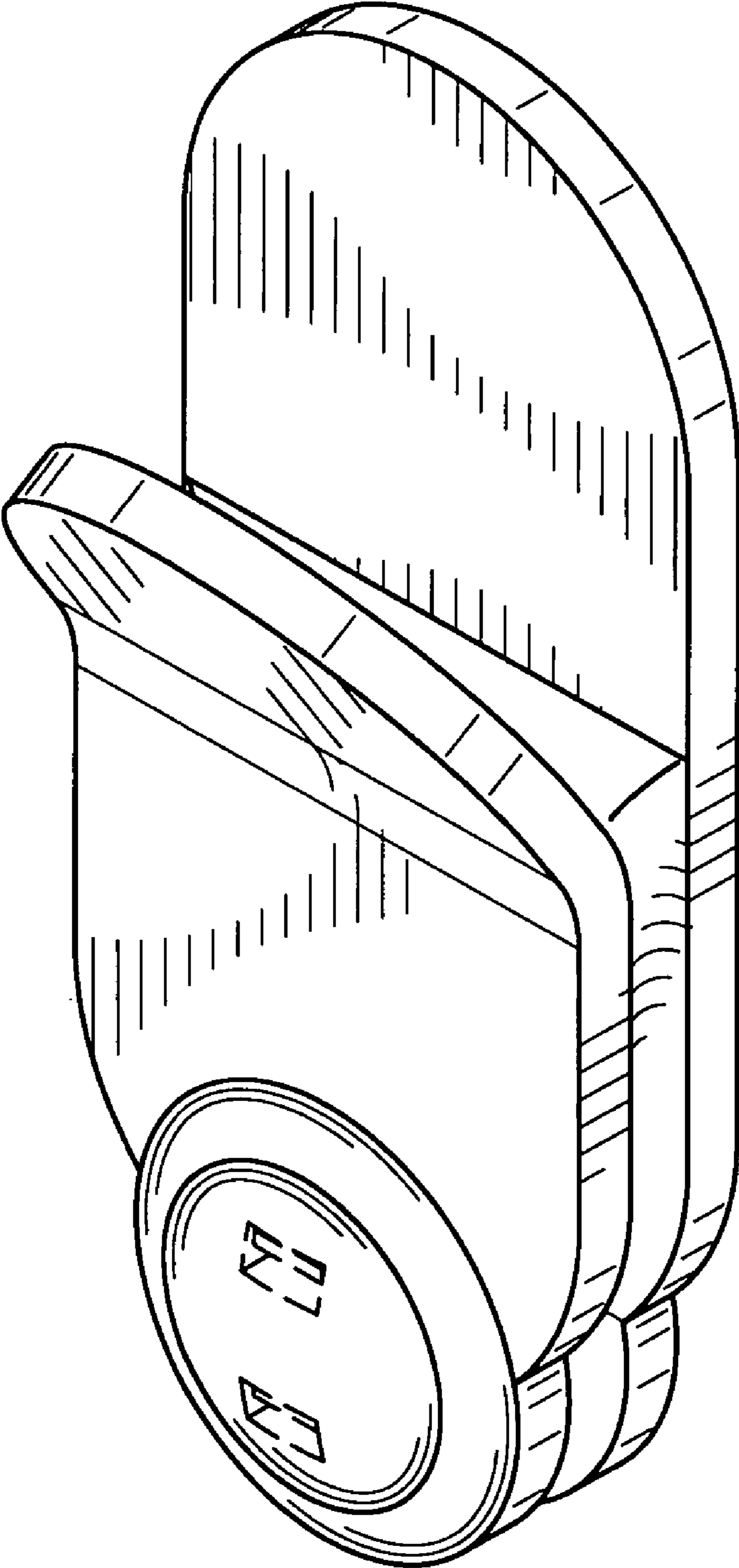


FIG. 1

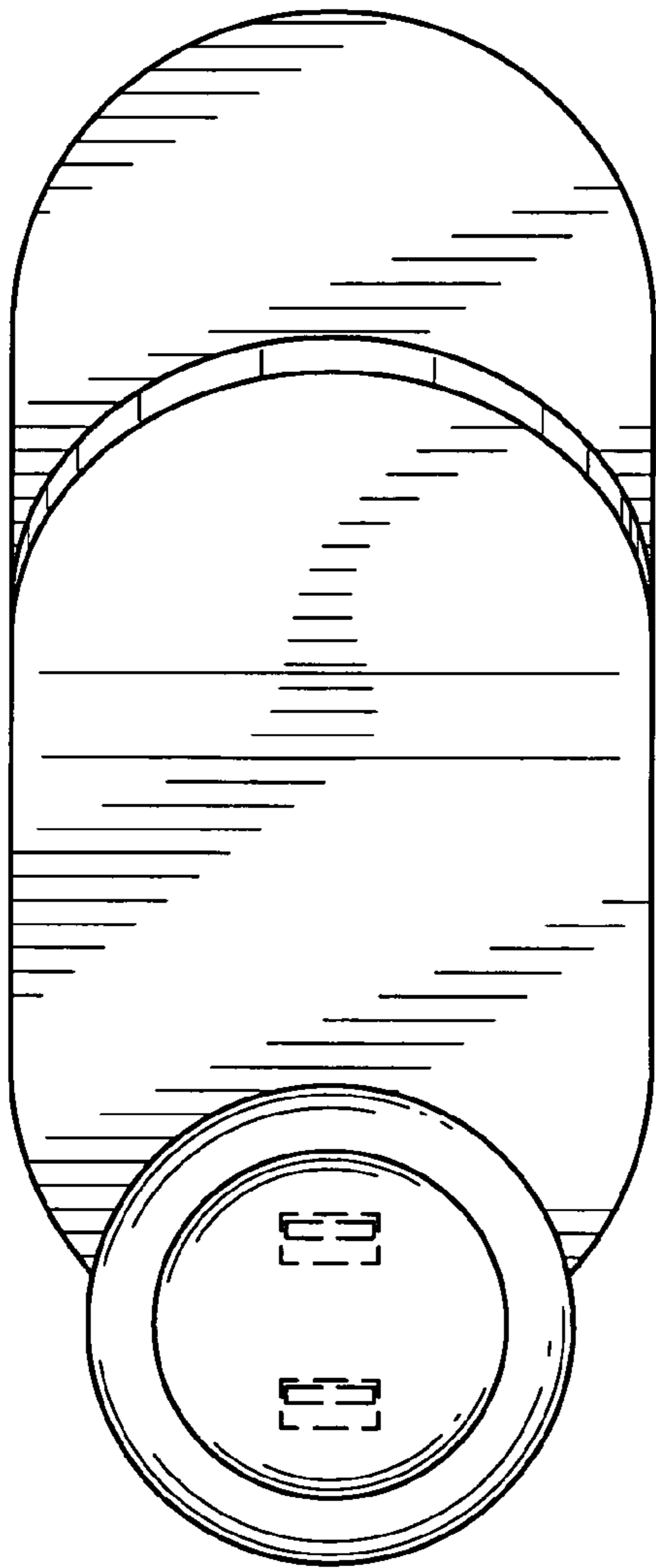


FIG. 2

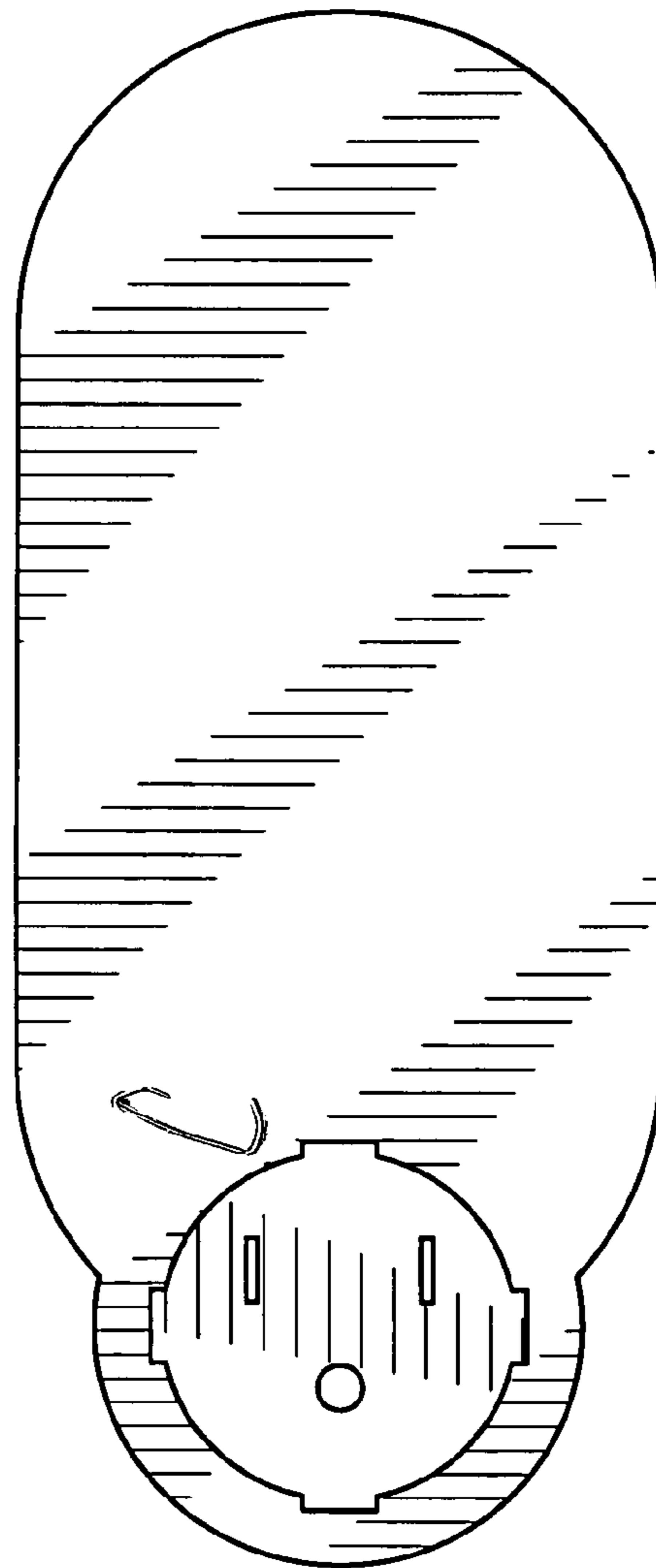


FIG. 3

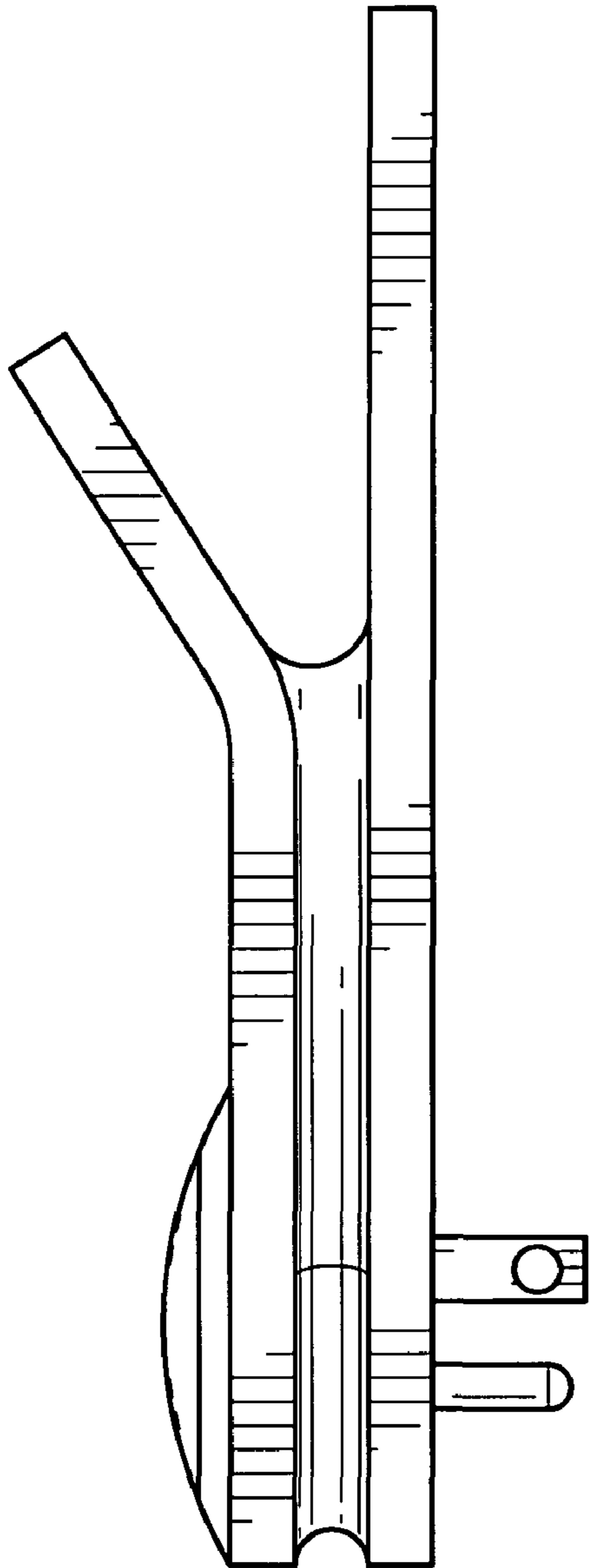


FIG. 4

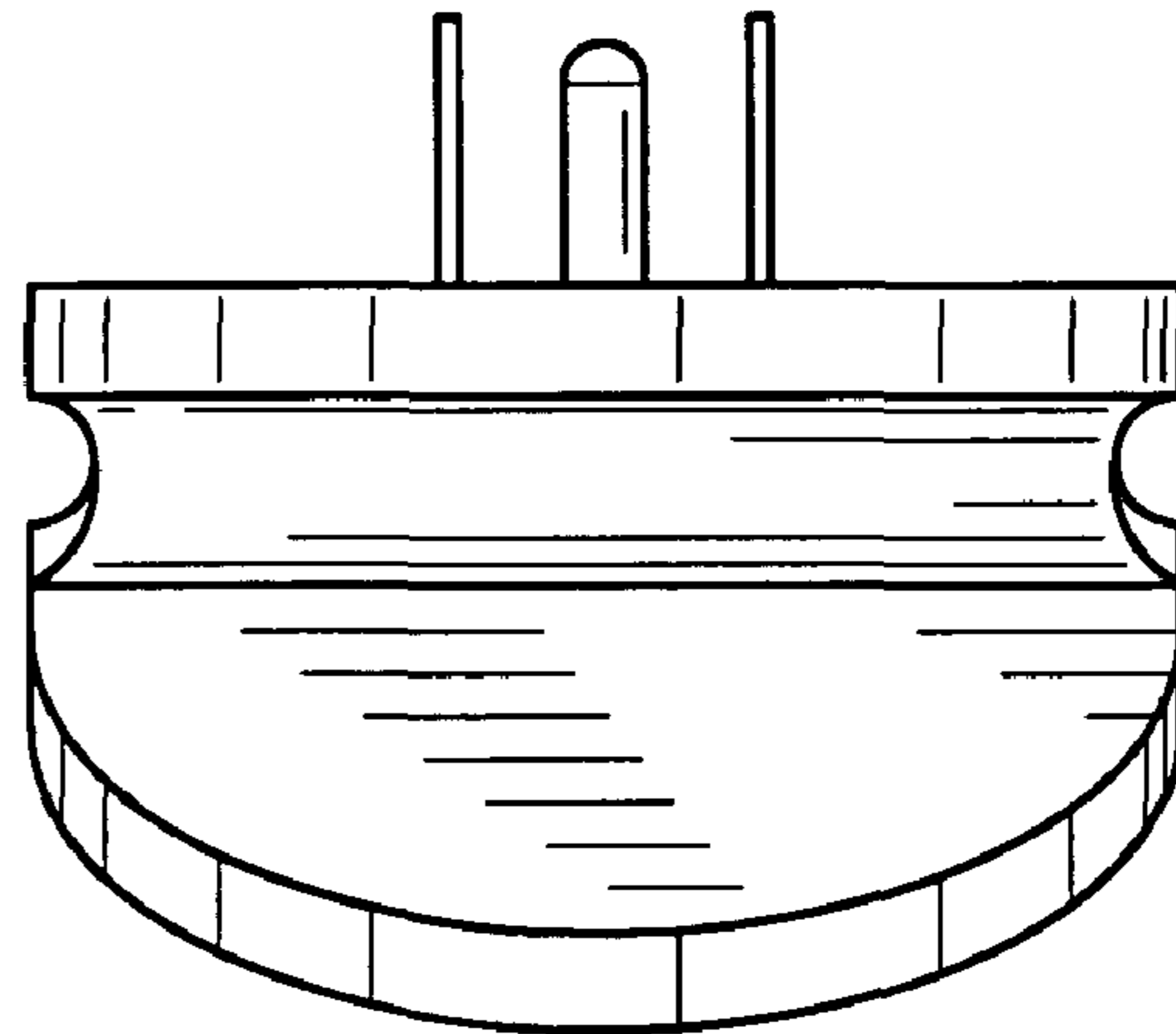


FIG. 5

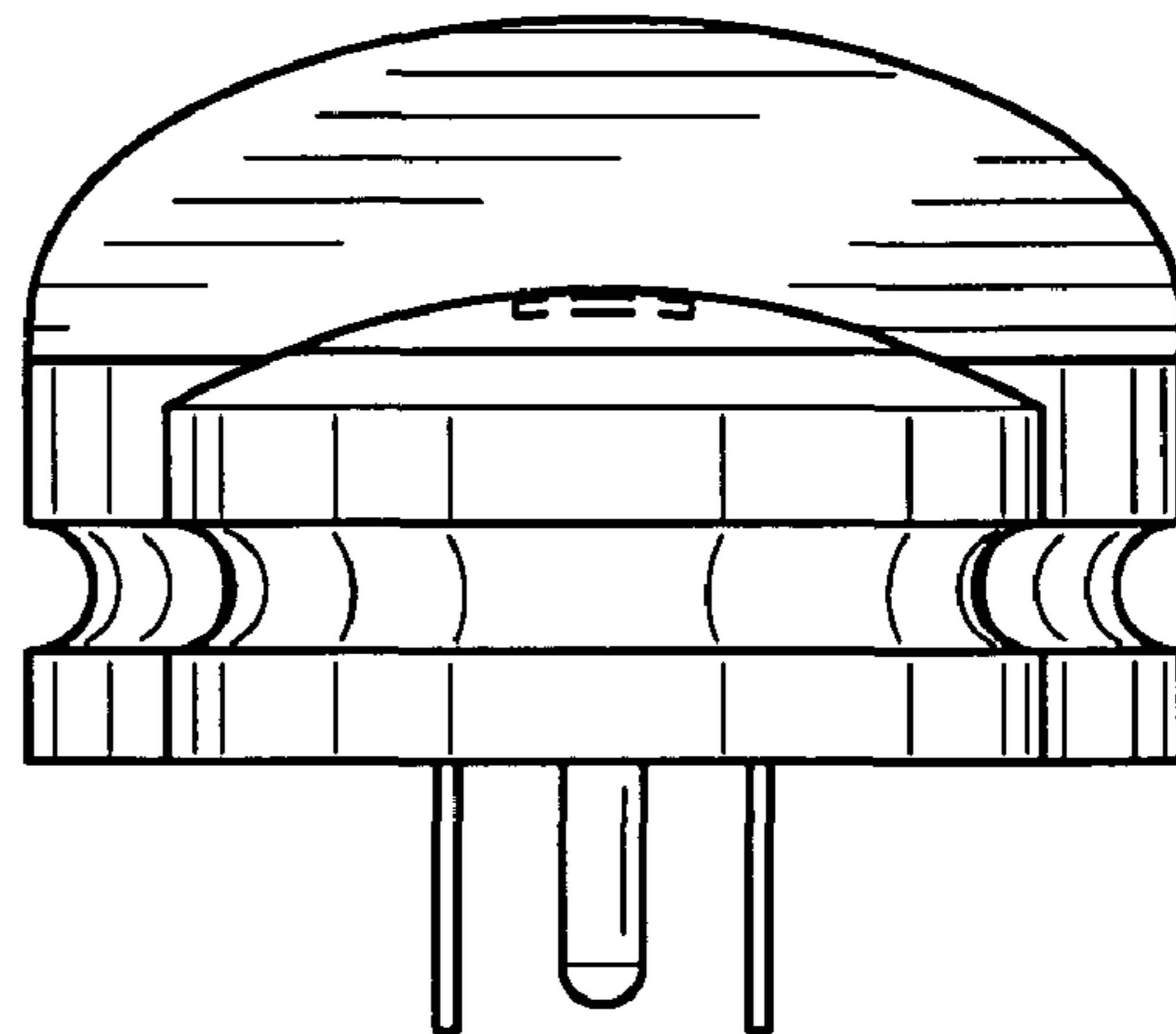


FIG. 6

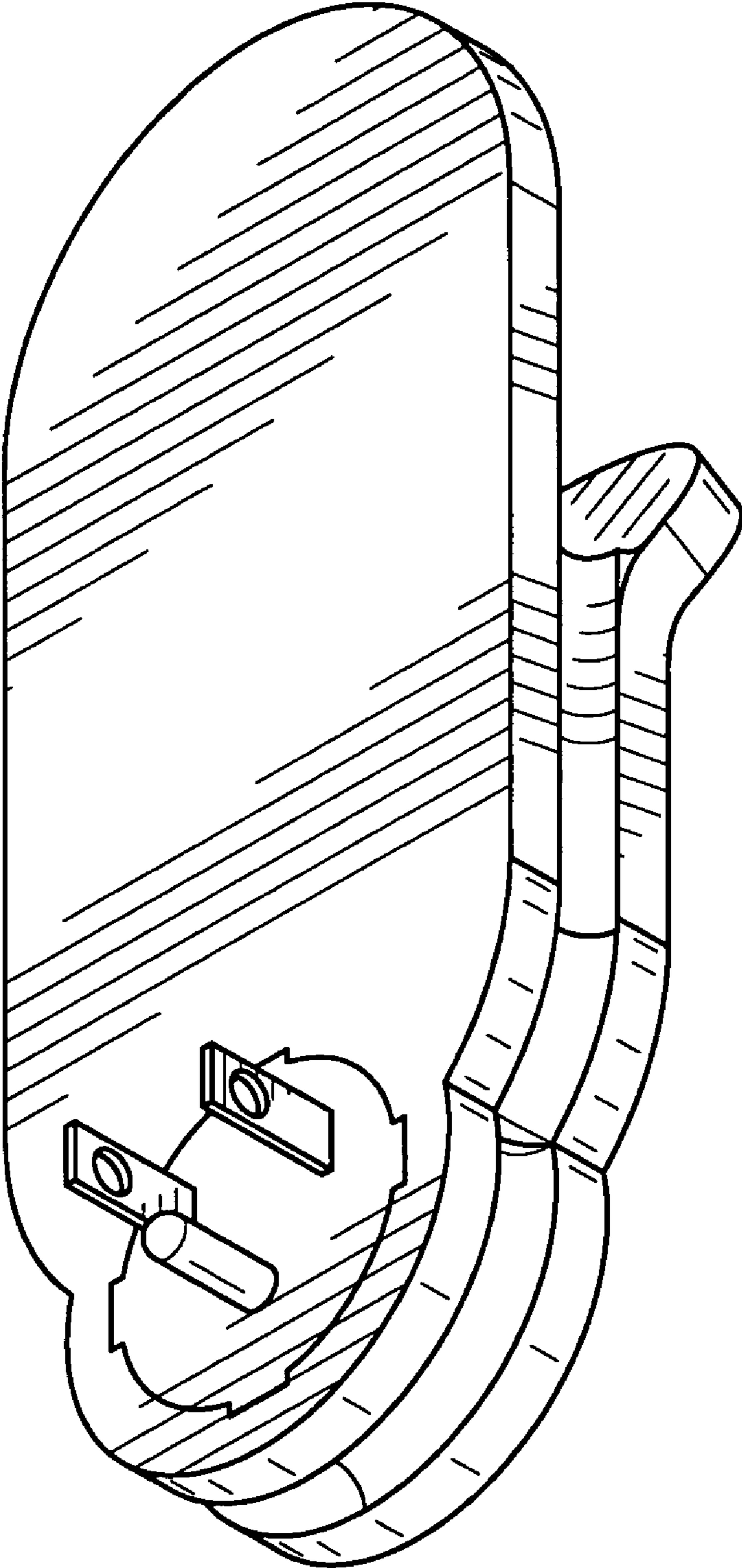


FIG. 7