



US00D639706S

(12) **United States Design Patent**
Orschulik

(10) **Patent No.:** **US D639,706 S**
(45) **Date of Patent:** **** Jun. 14, 2011**

(54) **PLANT POT**

(75) Inventor: **Günther Orschulik**, Holdorf (DE)

(73) Assignee: **Poepplmann Holding, GmbH & Co. KG**, Lohne (DE)

(**) Term: **14 Years**

(21) Appl. No.: **29/378,568**

(22) Filed: **Nov. 5, 2010**

(51) **LOC (9) Cl.** **11-02**

(52) **U.S. Cl.** **D11/152; D11/151**

(58) **Field of Classification Search** D6/403-405,
D6/556-668; D8/1; D11/143-156, 164;
D19/77, 80, 81, 84; D25/100; D26/9-11,
D26/16, 19; D34/1, 2, 4-6; D99/5, 19; 47/17,
47/32.4, 32.5, 32.7, 33, 39, 41.01, 41.1, 41.11-41.15,
47/44-47, 63, 65.5, 65.9, 66.1, 66.2, 66.6,
47/66.7, 67-71

See application file for complete search history.

(56) **References Cited**

U.S. PATENT DOCUMENTS

D313,203 S	*	12/1990	Carlson	D11/153
D319,606 S	*	9/1991	Etro	D11/153
D322,047 S	*	12/1991	Wolfenden	D11/153
D331,727 S	*	12/1992	Grosfillex	D11/153
D352,479 S	*	11/1994	Carlson	D11/153
D426,172 S	*	6/2000	Lin	D11/152
D544,813 S		6/2007	Schmidt		
D546,241 S		7/2007	Schmidt		

D564,393 S		3/2008	Schmidt		
D564,394 S		3/2008	Schmidt		
D569,763 S		5/2008	Schmidt		
D569,764 S		5/2008	Schmidt		
D570,244 S		6/2008	Schmidt		
D577,630 S		9/2008	Schmidt		
D579,816 S	*	11/2008	Lambert et al.	D11/152
D579,817 S	*	11/2008	Lambert et al.	D11/152
D585,786 S	*	2/2009	Newman-Schwartz	D11/151
D594,775 S	*	6/2009	Moreau	D11/152
D619,923 S	*	7/2010	Rundle	D11/153

* cited by examiner

Primary Examiner — Garth Rademaker

(74) *Attorney, Agent, or Firm* — Porter, Wright, Morris & Arthur, LLP

(57) **CLAIM**

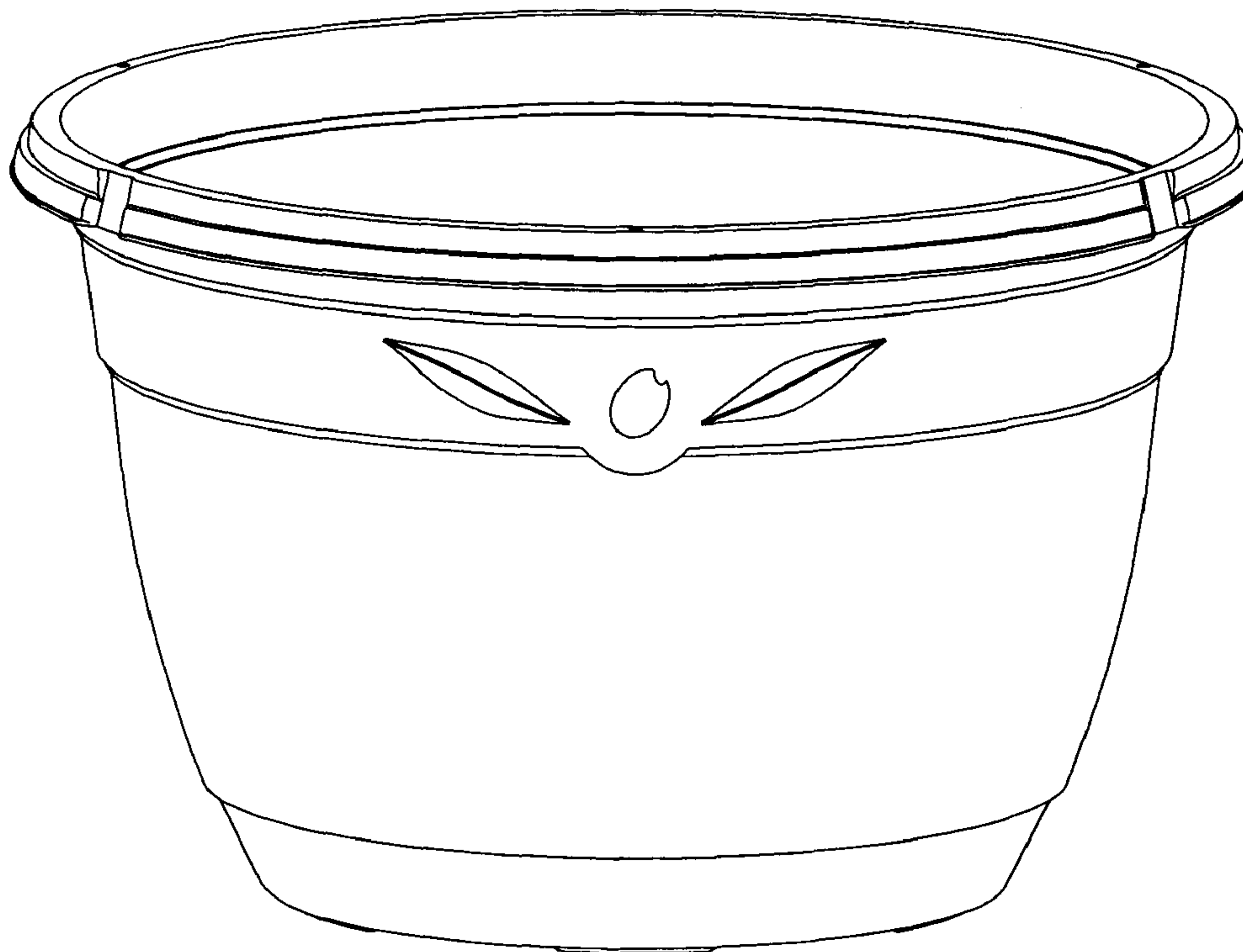
The ornamental design for a plant pot, as shown and described.

DESCRIPTION

FIG. 1 is a top perspective view of a plant pot according to my new design;
FIG. 2 is a bottom perspective view thereof;
FIG. 3 is a top view thereof;
FIG. 4 is a front view thereof;
FIG. 5 is a left side view thereof;
FIG. 6 is a rear view thereof;
FIG. 7 is a right side view thereof; and,
FIG. 8 is a bottom view thereof.

The broken lines depict environmental subject matter only and form no part of the claimed design.

1 Claim, 8 Drawing Sheets



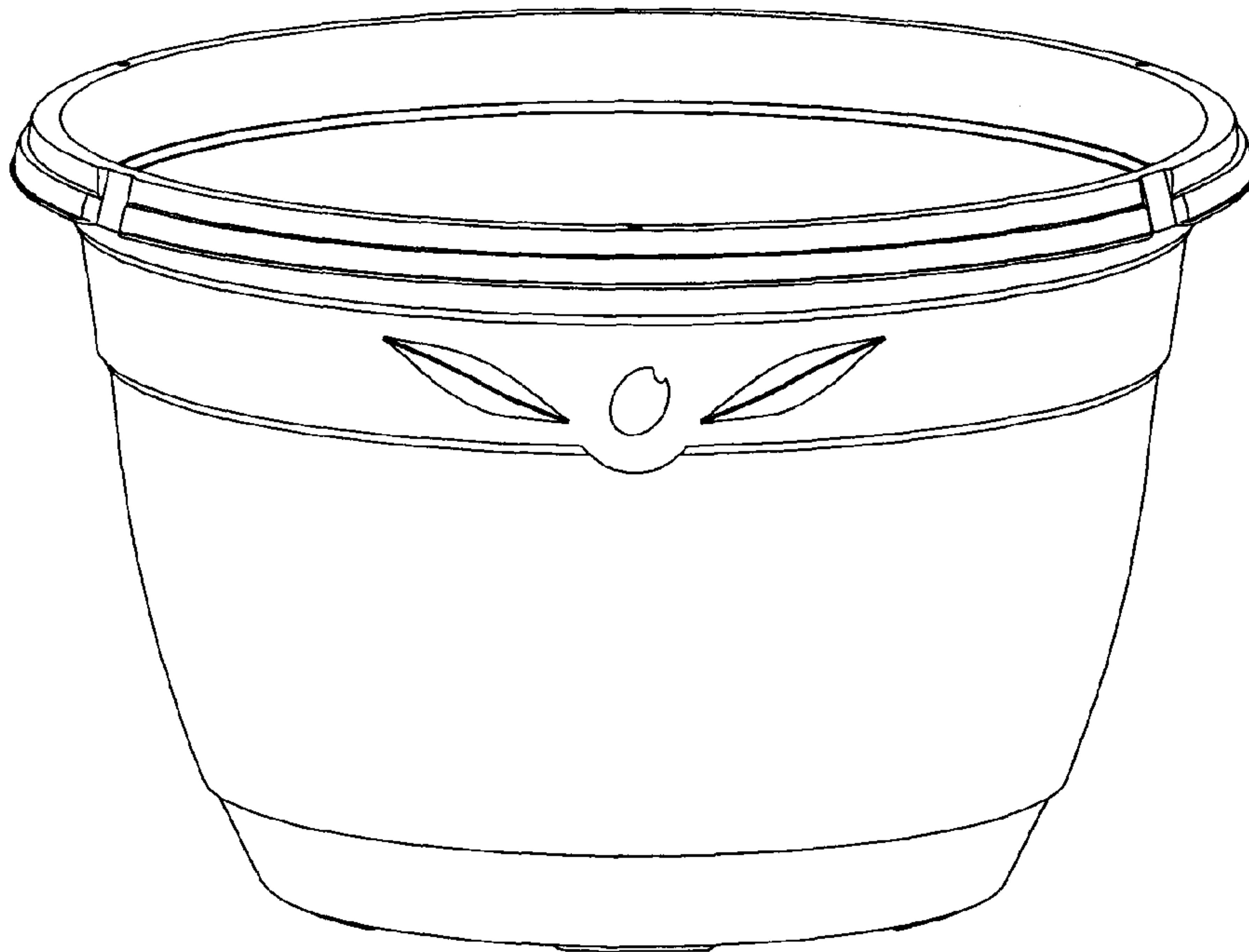


FIG. 1

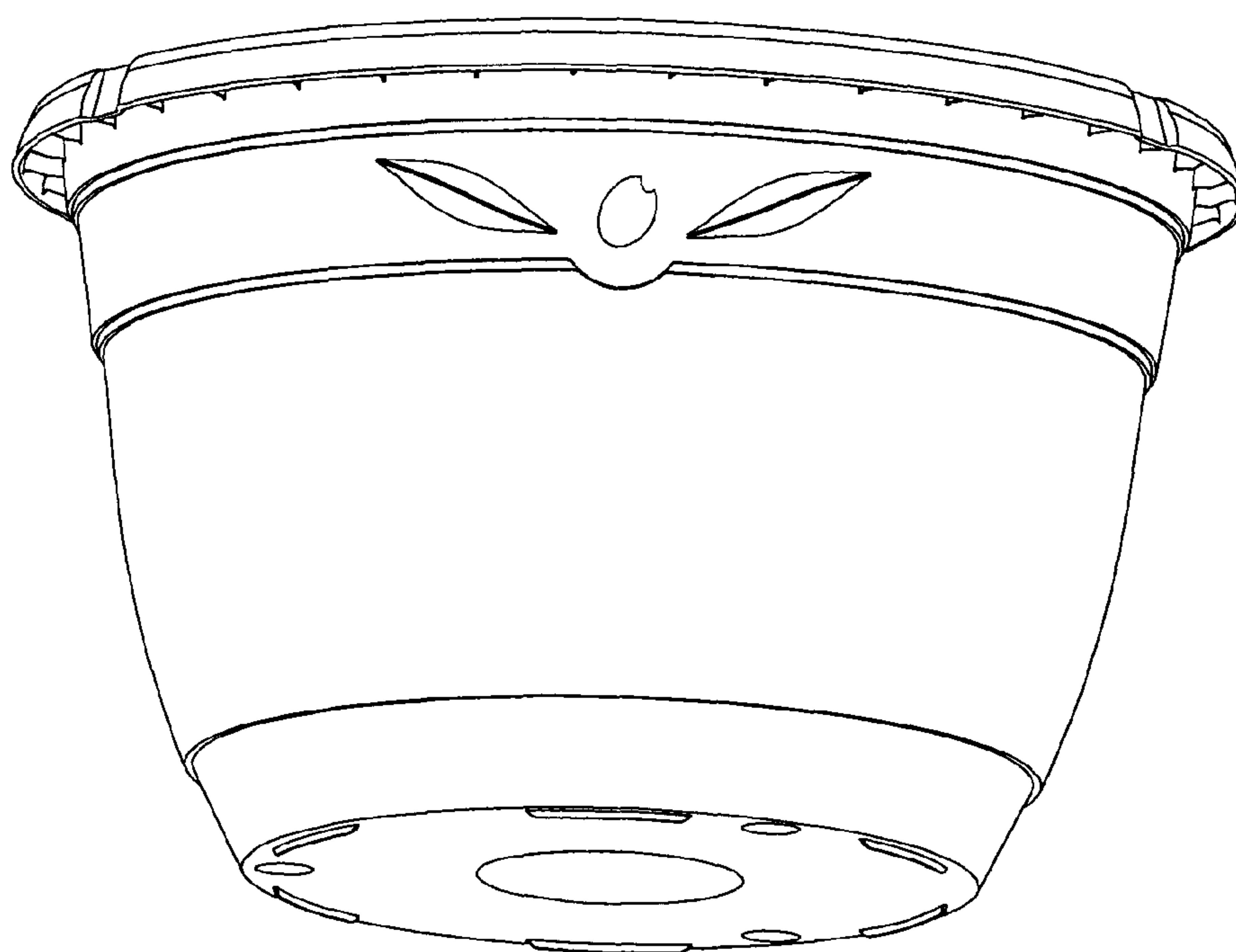


FIG. 2

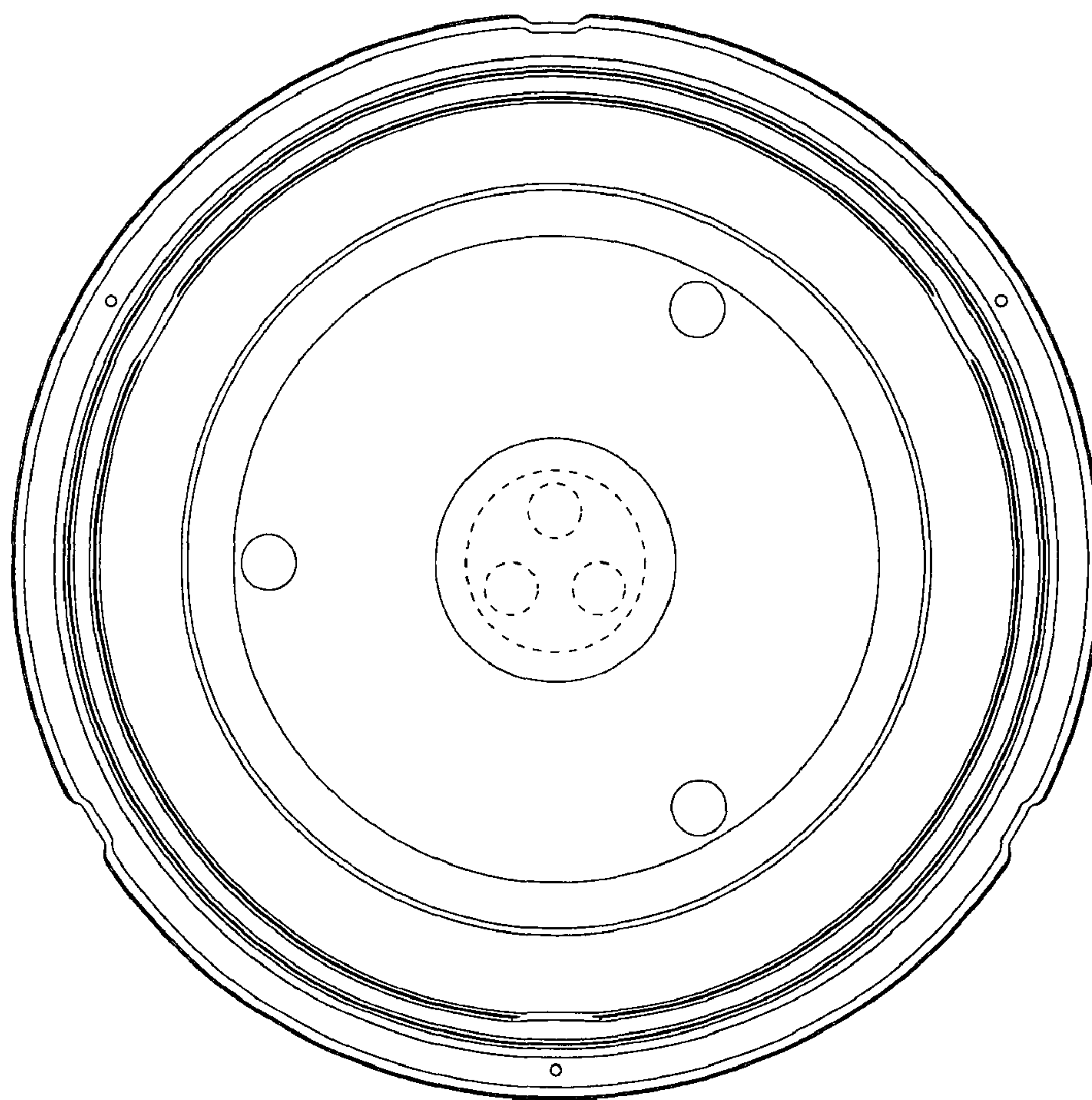


FIG. 3

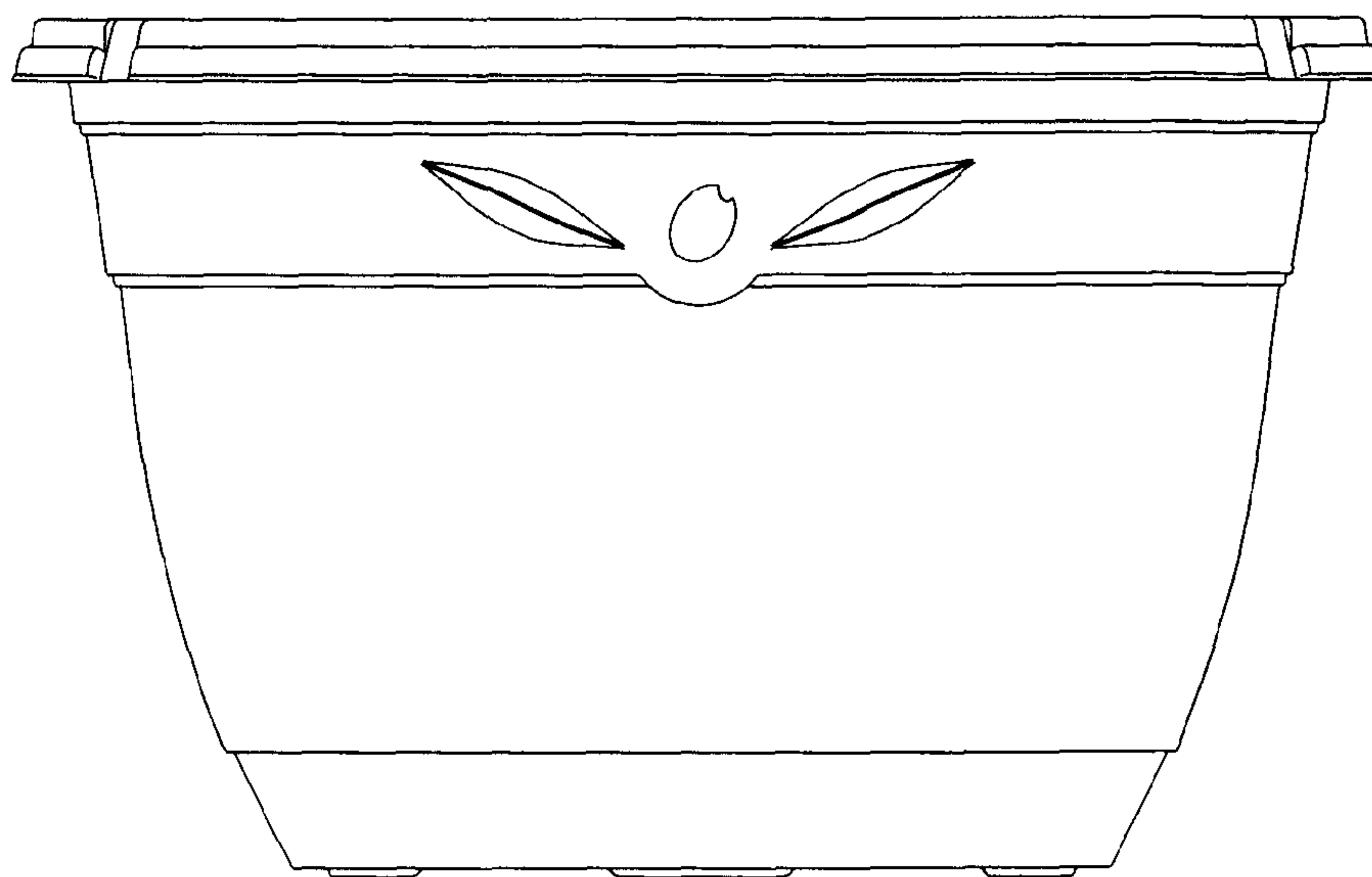


FIG. 4

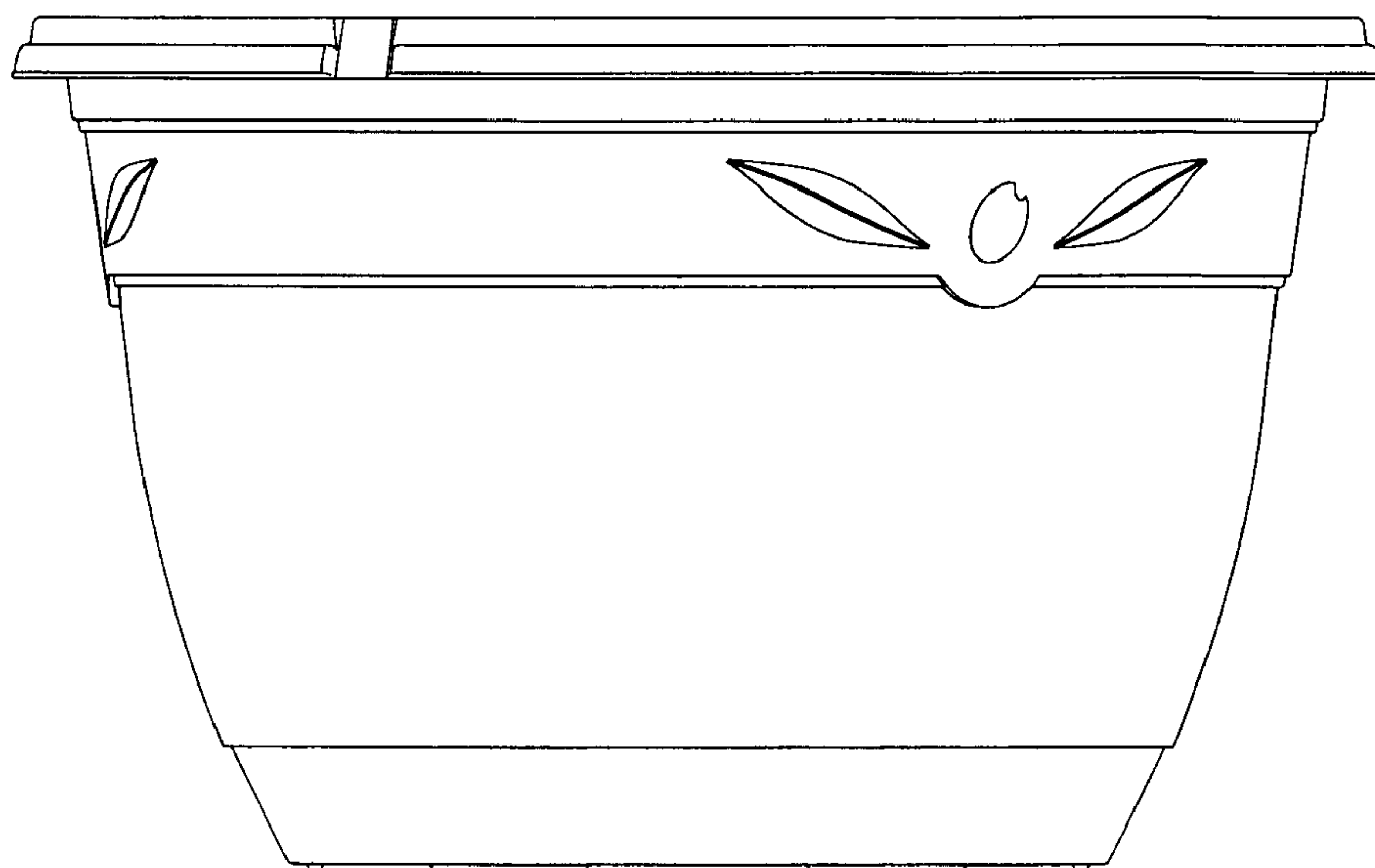


FIG. 5

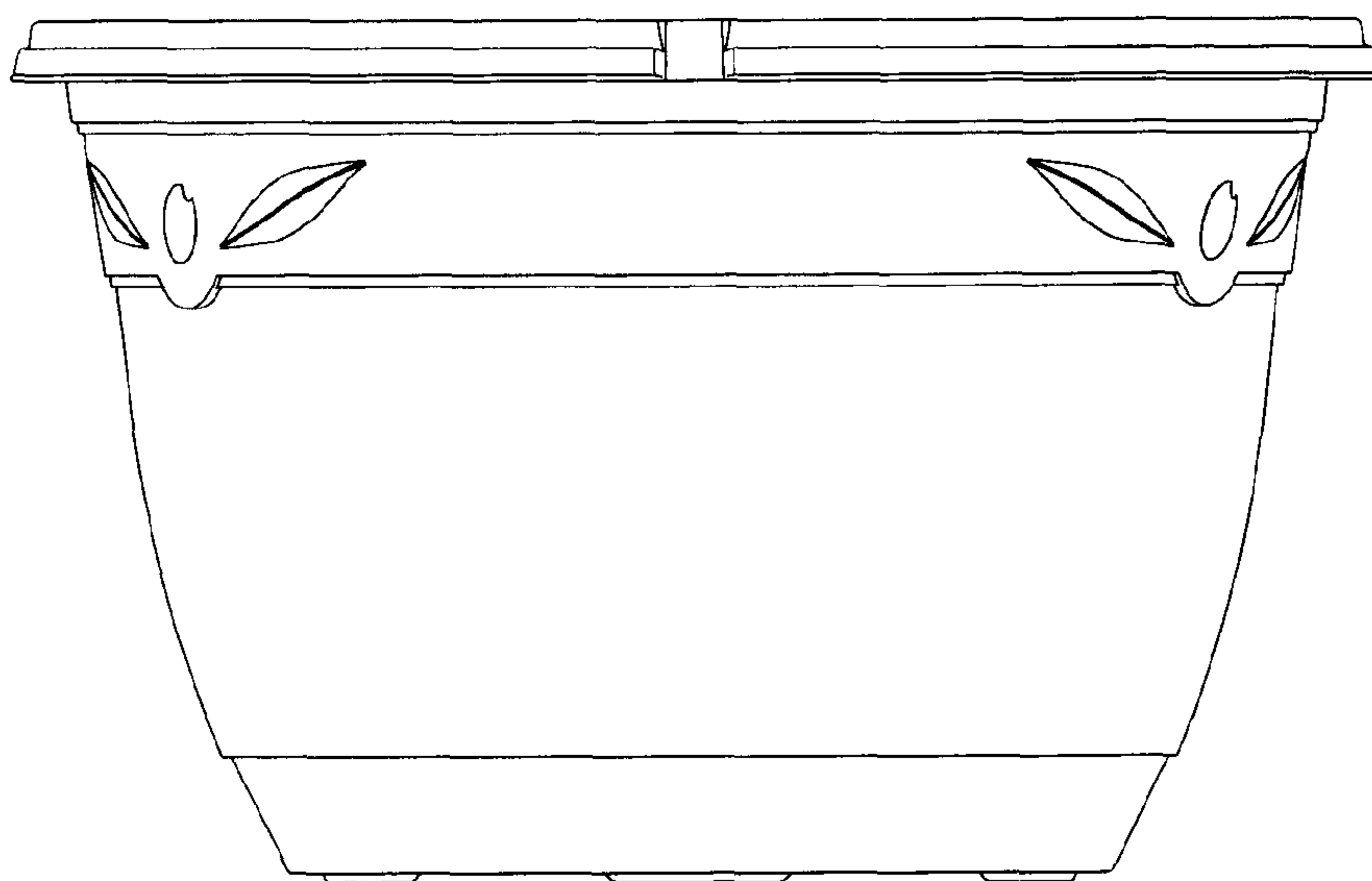


FIG. 6

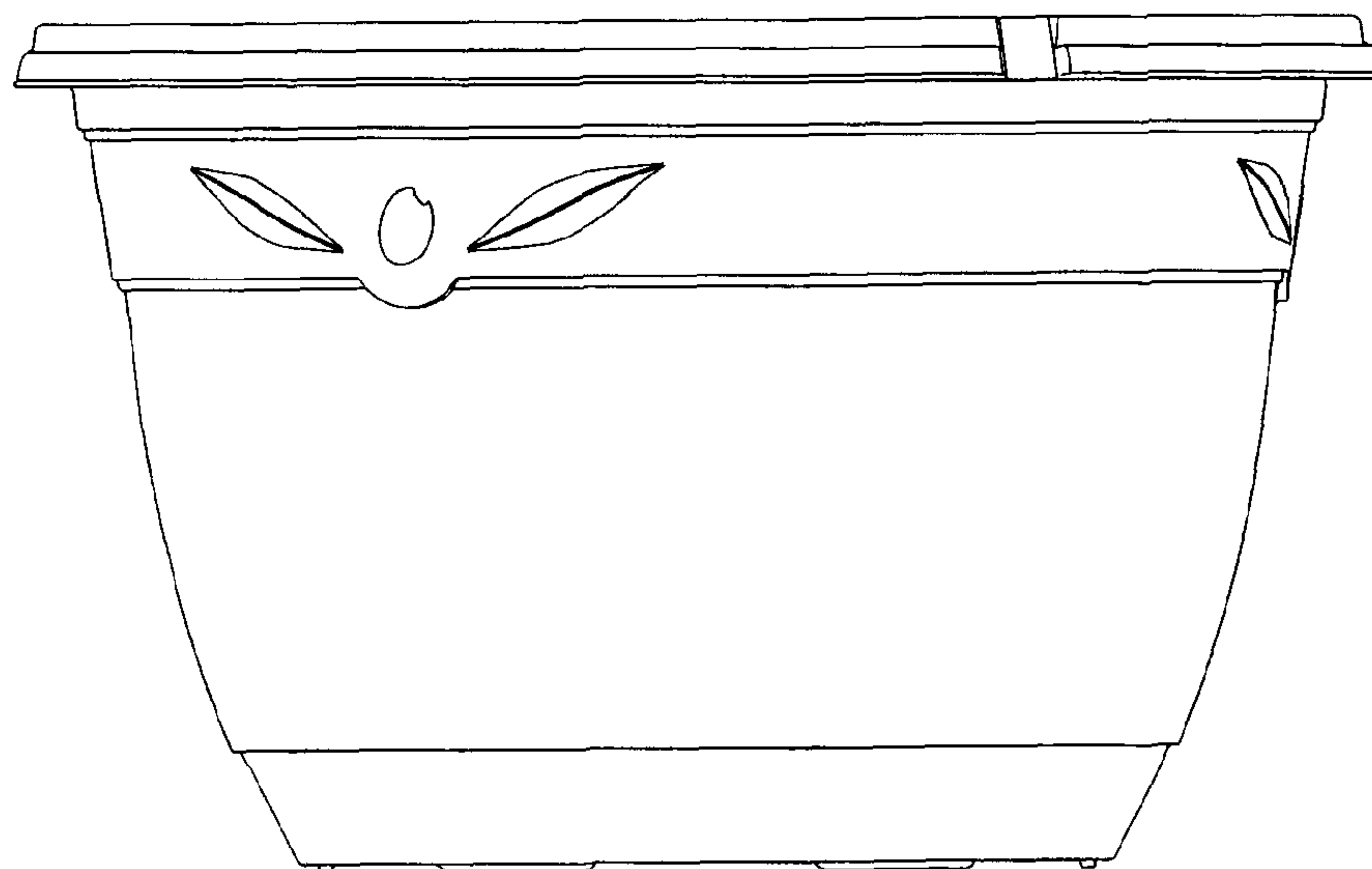


FIG. 7

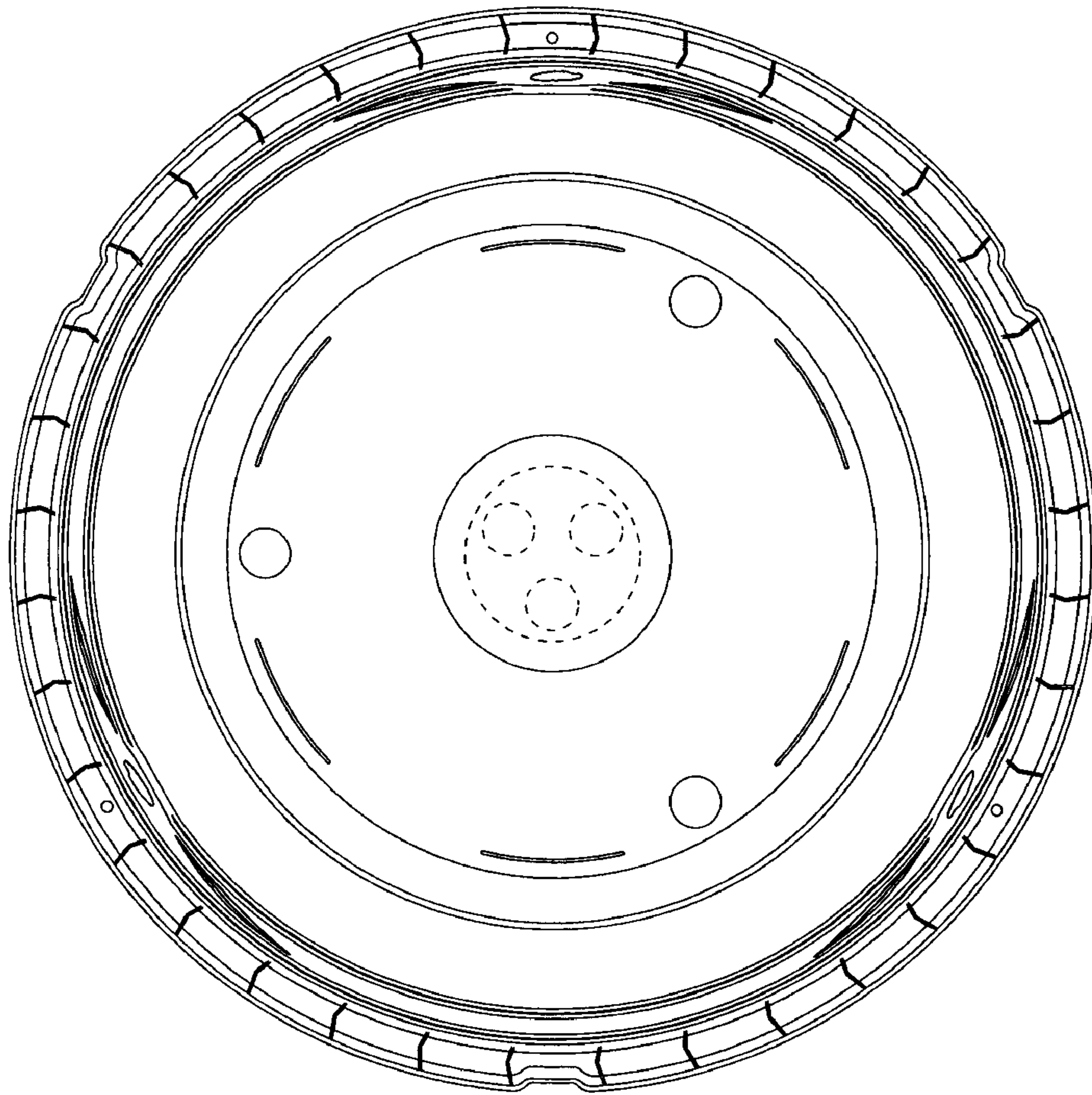


FIG. 8