

US00D639693S

(12) **United States Design Patent**
Papadimitriou

(10) **Patent No.:** **US D639,693 S**

(45) **Date of Patent:** **** Jun. 14, 2011**

(54) **PENDANT**

(75) Inventor: **Costantino Papadimitriou**, Milan (IT)

(73) Assignee: **De Beers Centenary AG**, Luzern (CH)

(**) Term: **14 Years**

(21) Appl. No.: **29/366,208**

(22) Filed: **Jul. 21, 2010**

Related U.S. Application Data

(62) Division of application No. 29/333,923, filed on Mar. 17, 2009, now Pat. No. Des. 628,113.

(30) **Foreign Application Priority Data**

Sep. 18, 2008 (EM) 001005441-0003

Sep. 18, 2008 (EM) 001005441-0004

Sep. 18, 2008 (EM) 001005441-0005

Sep. 18, 2008 (EM) 001005441-0006

(51) **LOC (9) Cl.** **11-02**

(52) **U.S. Cl.** **D11/40; D11/79**

(58) **Field of Classification Search** D11/1-45,
D11/79-85; 63/12, 13, 14.1-14.8, 15, 15.1-15.4,
63/15.45, 15.5, 15.6, 15.65, 15.7, 26-28

See application file for complete search history.

(56) **References Cited**

U.S. PATENT DOCUMENTS

D595,178	S	*	6/2009	Colombani	D11/79
D605,968	S	*	12/2009	Colombani	D11/40
D605,970	S	*	12/2009	Colombani	D11/41
D607,364	S	*	1/2010	Marks	D11/40
D610,934	S	*	3/2010	Papadimitriou	D11/40
D610,935	S	*	3/2010	Papadimitriou	D11/43
D619,030	S	*	7/2010	Papadimitriou	D11/43
D619,032	S	*	7/2010	Papadimitriou	D11/79
D619,490	S	*	7/2010	Papadimitriou	D11/79
D620,833	S	*	8/2010	Papadimitriou	D11/40
D621,291	S	*	8/2010	Papadimitriou	D11/43
D623,081	S	*	9/2010	Papadimitriou	D11/40
D624,842	S	*	10/2010	Marks	D11/26
D624,843	S	*	10/2010	Colombani	D11/43

* cited by examiner

Primary Examiner — Cathron Brooks

Assistant Examiner — Melanie Levy

(74) *Attorney, Agent, or Firm* — SNR Denton US LLP;
Brian R. McGinley

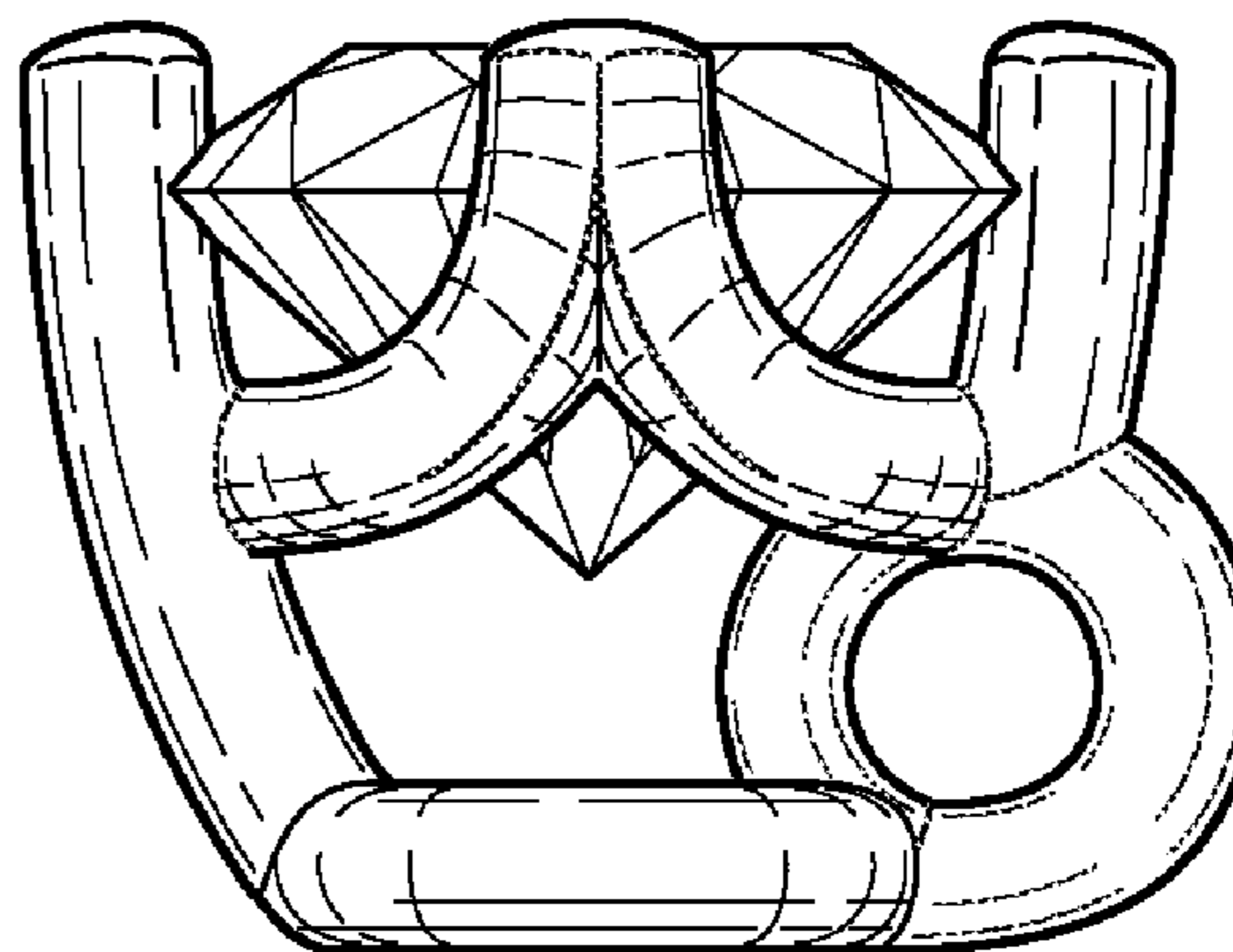
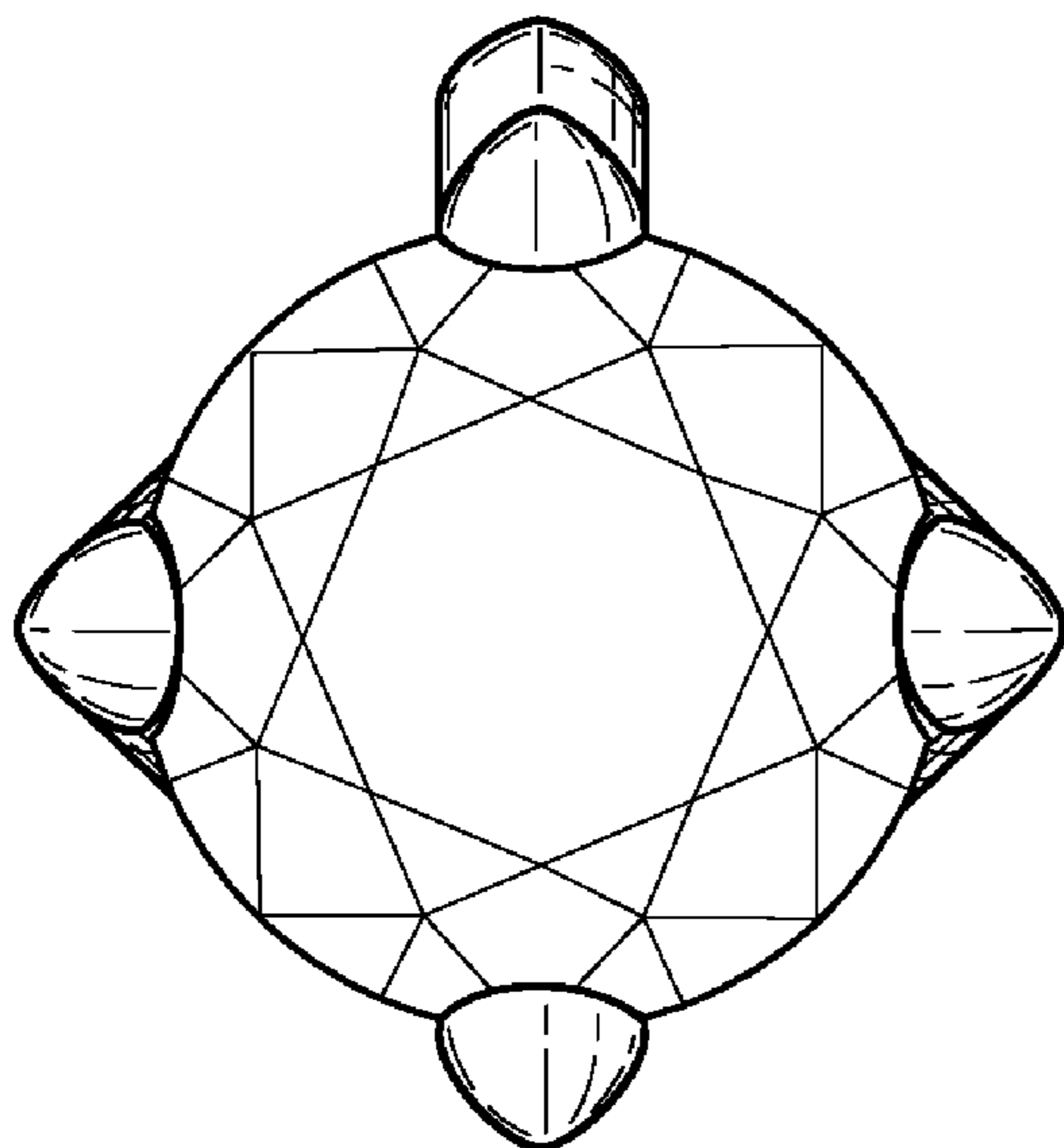
(57) **CLAIM**

The ornamental design for a pendant, as shown and described.

DESCRIPTION

FIG. 1 is a front view of the pendant;
FIG. 2 is a top view of the pendant illustrated in FIG. 1;
FIG. 3 is a right elevational view of the pendant illustrated in FIG. 1 (the left elevational view is a mirror image of FIG. 3);
and,
FIG. 4 is a bottom view of the pendant illustrated in FIG. 1.

1 Claim, 1 Drawing Sheet



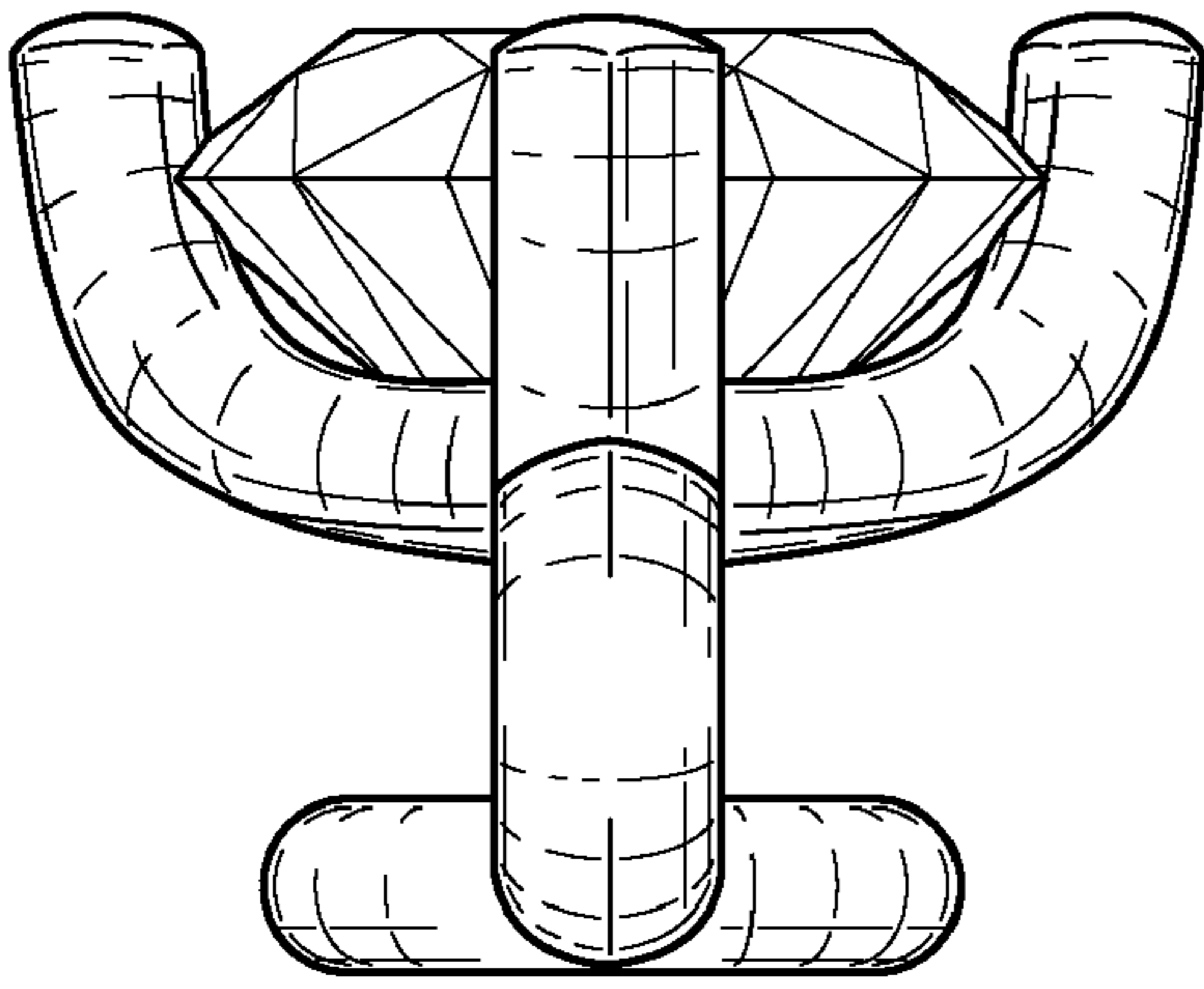


Fig. 1

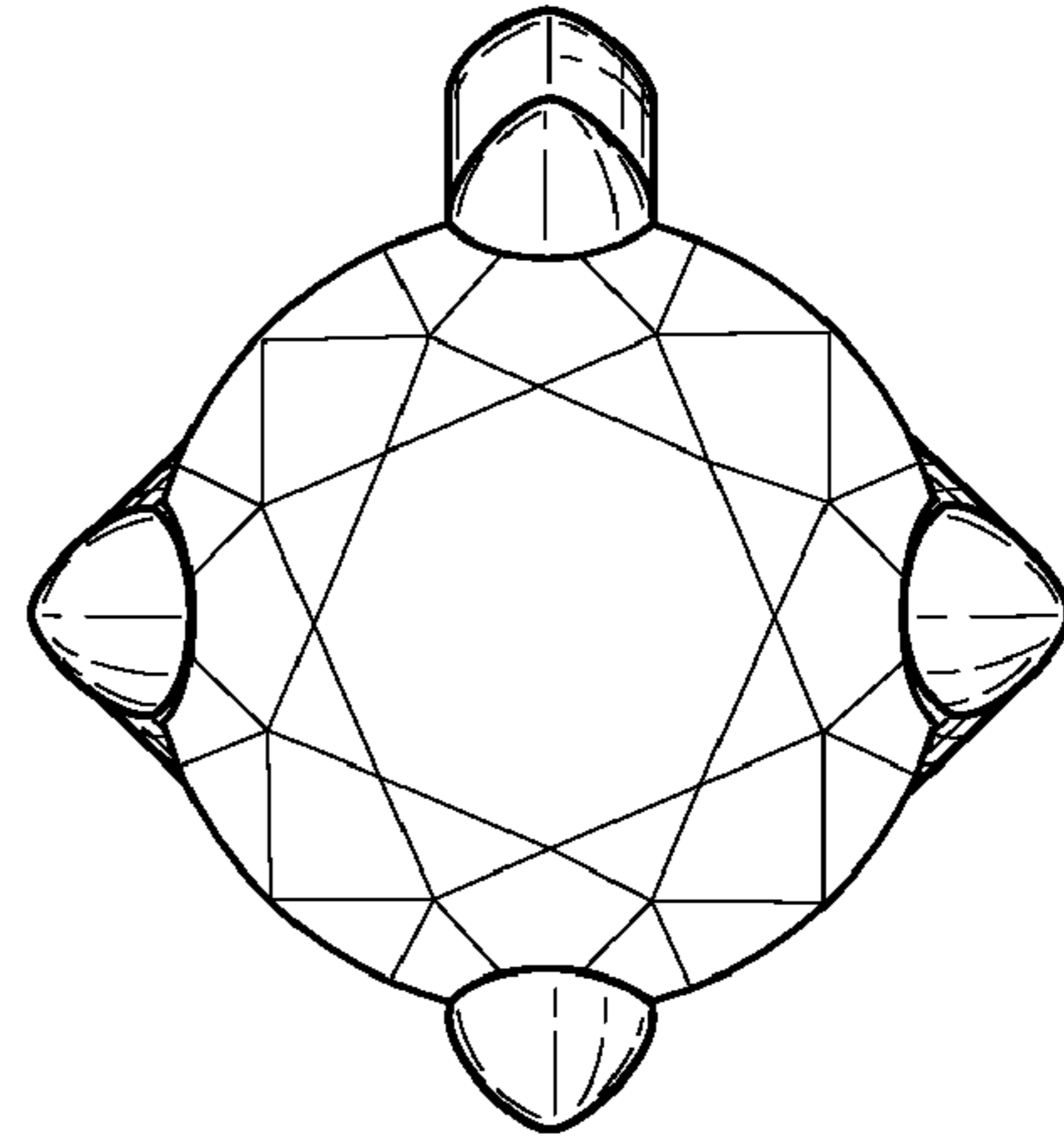


Fig. 2

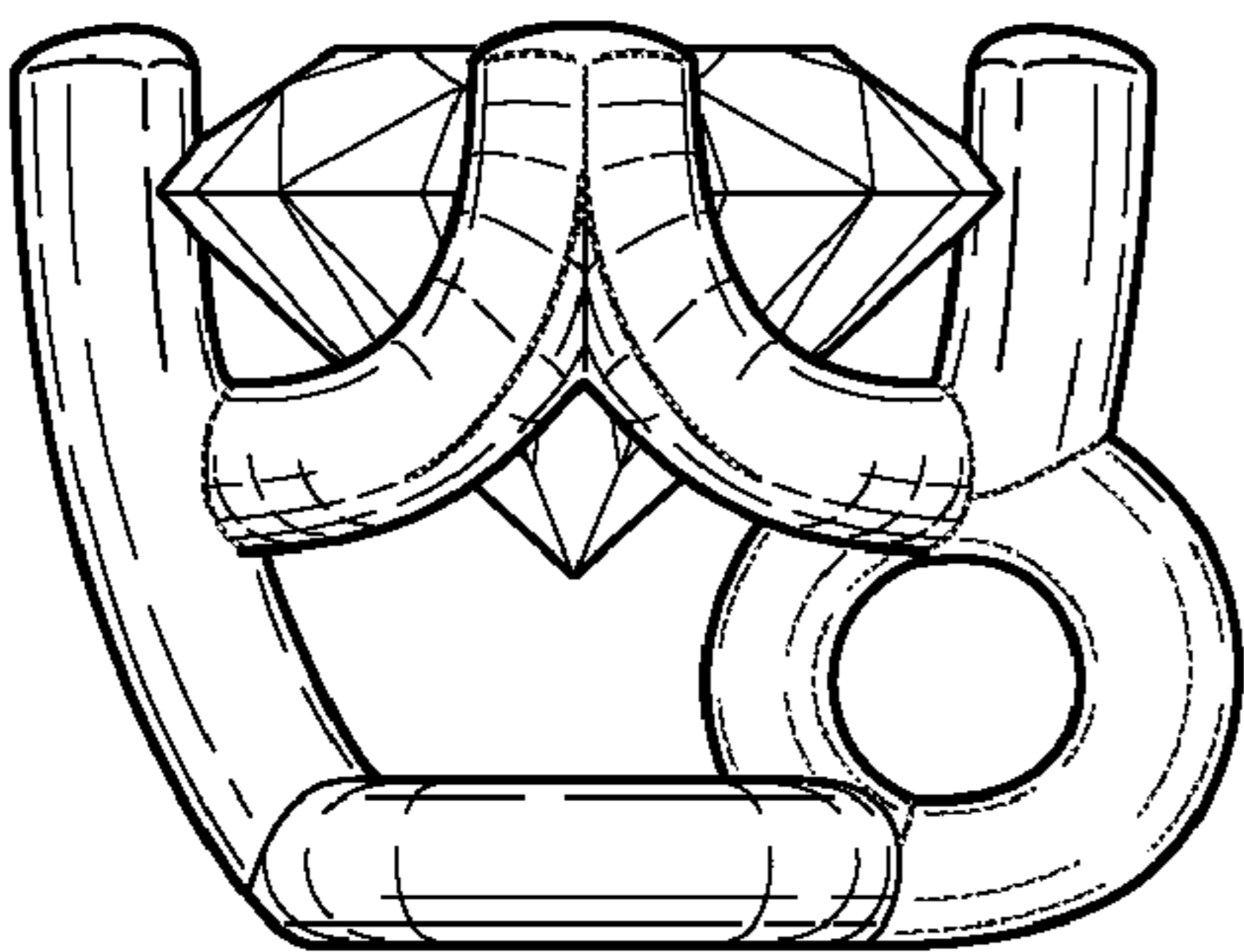


Fig. 3

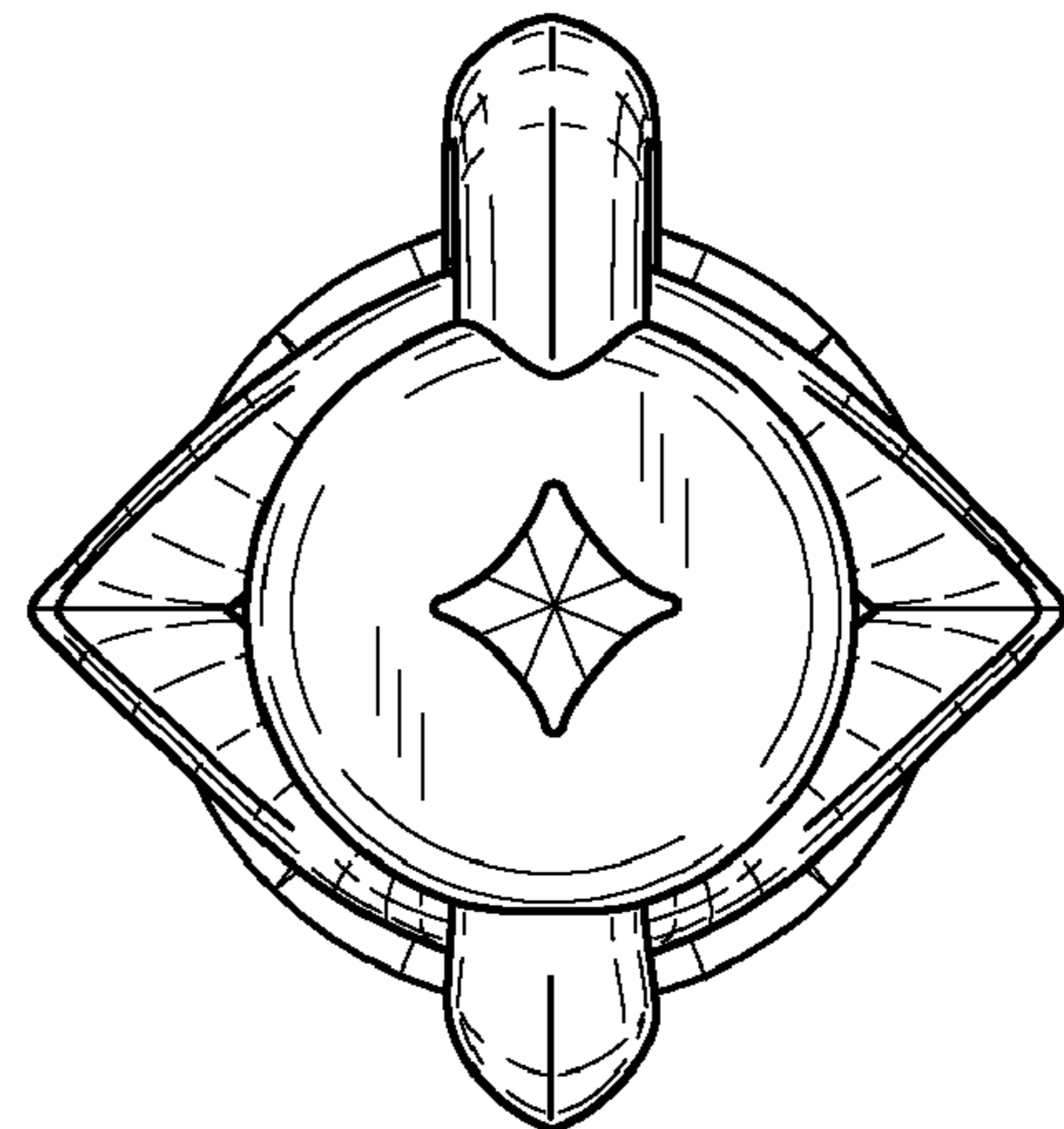


Fig. 4