



US00D639692S

(12) **United States Design Patent**  
**Papadimitriou**

(10) **Patent No.:** **US D639,692 S**

(45) **Date of Patent:** **\*\* Jun. 14, 2011**

(54) **EARRING**

(75) Inventor: **Costantino Papadimitriou**, Milan (IT)

(73) Assignee: **De Beers Centenary AG**, Luzern (CH)

(\*\*) Term: **14 Years**

(21) Appl. No.: **29/366,204**

(22) Filed: **Jul. 21, 2010**

**Related U.S. Application Data**

(62) Division of application No. 29/333,923, filed on Mar. 17, 2009, now Pat. No. Des. 628,113.

(30) **Foreign Application Priority Data**

Sep. 18, 2008 (EM) ..... 001005441-0003  
Sep. 18, 2008 (EM) ..... 001005441-0004  
Sep. 18, 2008 (EM) ..... 001005441-0005  
Sep. 18, 2008 (EM) ..... 001005441-0006

(51) **LOC (9) Cl.** ..... **11-02**

(52) **U.S. Cl.** ..... **D11/40; D11/79**

(58) **Field of Classification Search** ..... D11/1-45,  
D11/79-85; 63/12, 13, 14.1-14.8, 15, 15.1-15.4,  
63/15.45, 15.5, 15.6, 15.65, 15.7, 26-28  
See application file for complete search history.

(56) **References Cited**

**U.S. PATENT DOCUMENTS**

D595,178 S \* 6/2009 Colombani ..... D11/79  
D605,968 S \* 12/2009 Colombani ..... D11/40

D605,970 S \* 12/2009 Colombani ..... D11/41  
D607,364 S \* 1/2010 Marks ..... D11/40  
D610,934 S \* 3/2010 Papadimitriou ..... D11/40  
D610,935 S \* 3/2010 Papadimitriou ..... D11/43  
D619,030 S \* 7/2010 Papadimitriou ..... D11/43  
D619,032 S \* 7/2010 Papadimitriou ..... D11/79  
D619,490 S \* 7/2010 Papadimitriou ..... D11/79  
D620,833 S \* 8/2010 Papadimitriou ..... D11/40  
D621,291 S \* 8/2010 Papadimitriou ..... D11/43  
D623,081 S \* 9/2010 Papadimitriou ..... D11/40  
D624,842 S \* 10/2010 Marks ..... D11/26  
D624,843 S \* 10/2010 Colombani ..... D11/43

\* cited by examiner

*Primary Examiner* — Cathron Brooks

*Assistant Examiner* — Melanie Levy

(74) *Attorney, Agent, or Firm* — SNR Denton US LLP;  
Brian R. McGinley

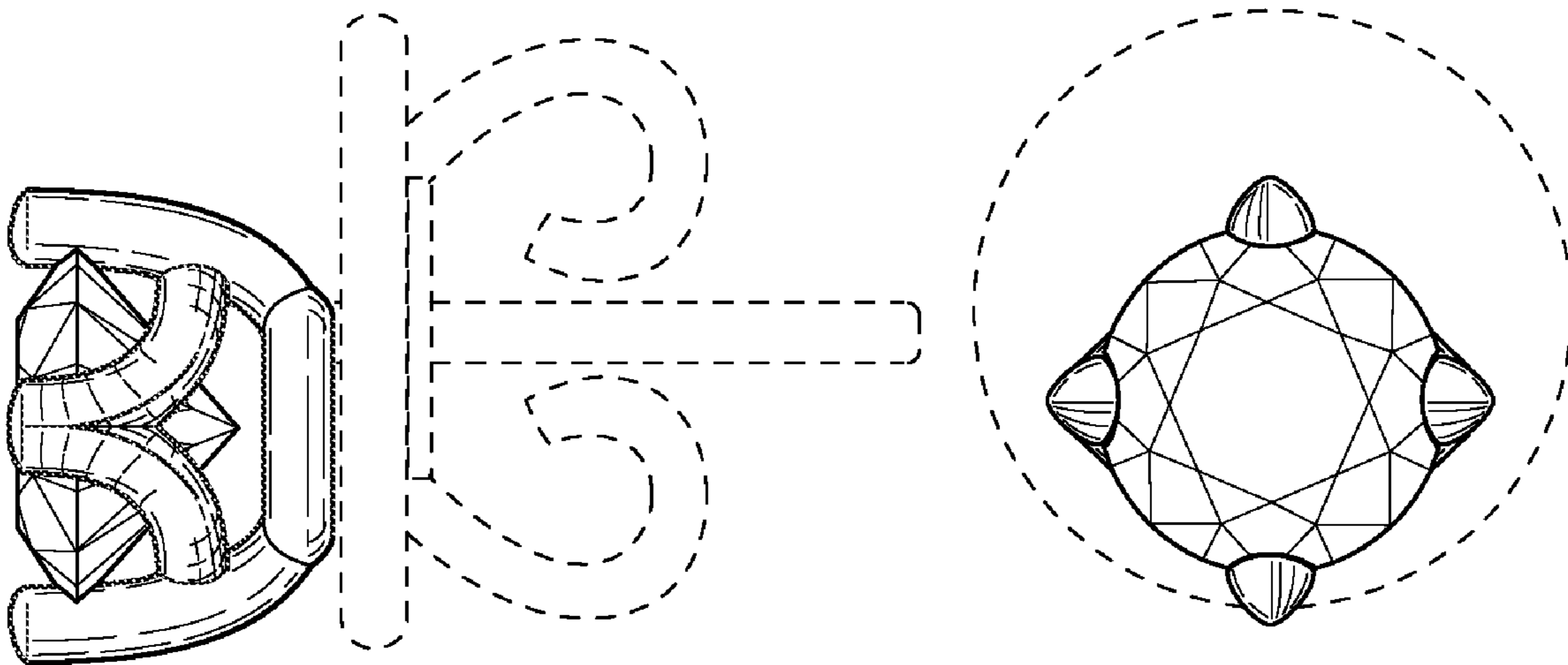
(57) **CLAIM**

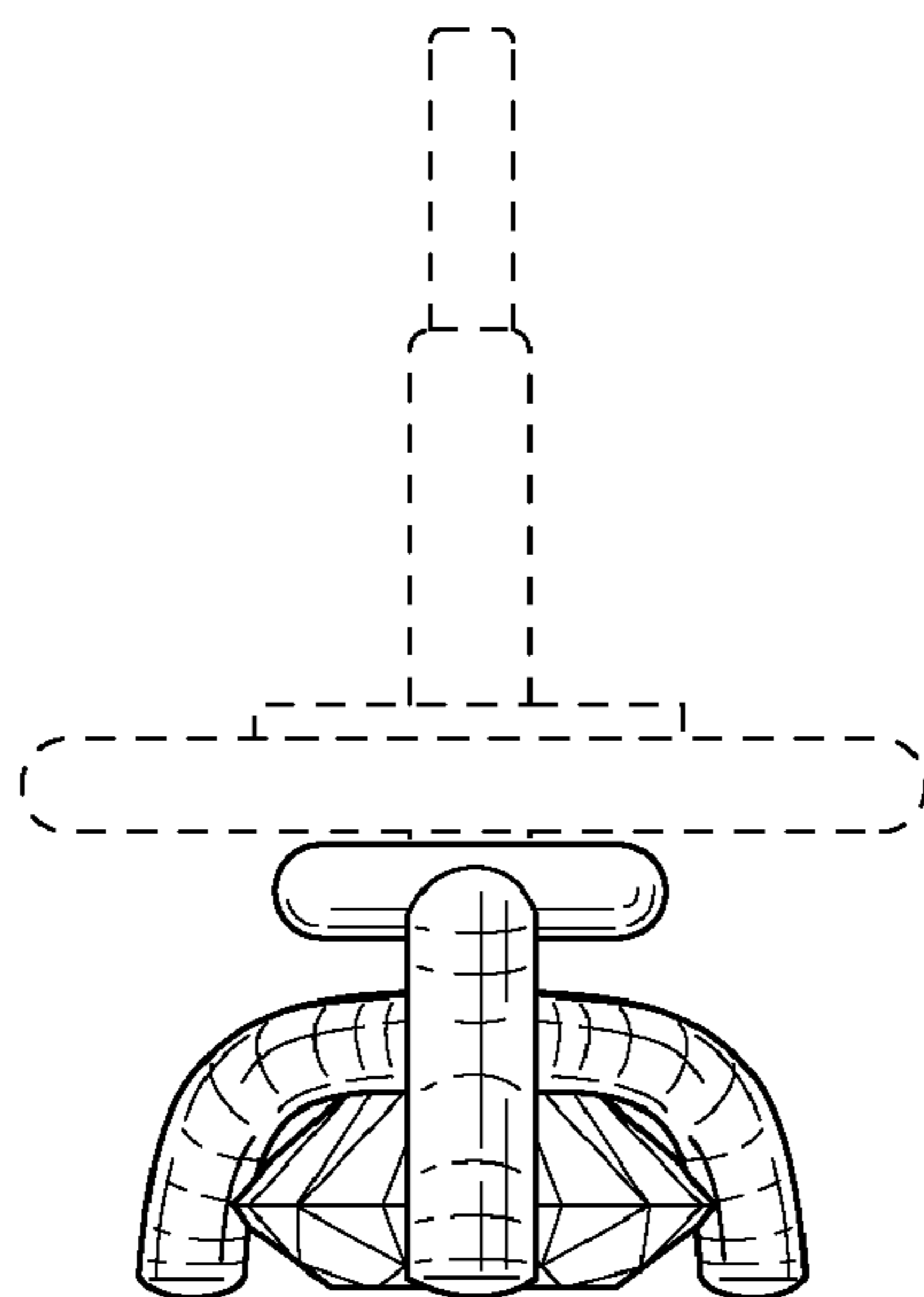
The ornamental design for an earring, as shown and described.

**DESCRIPTION**

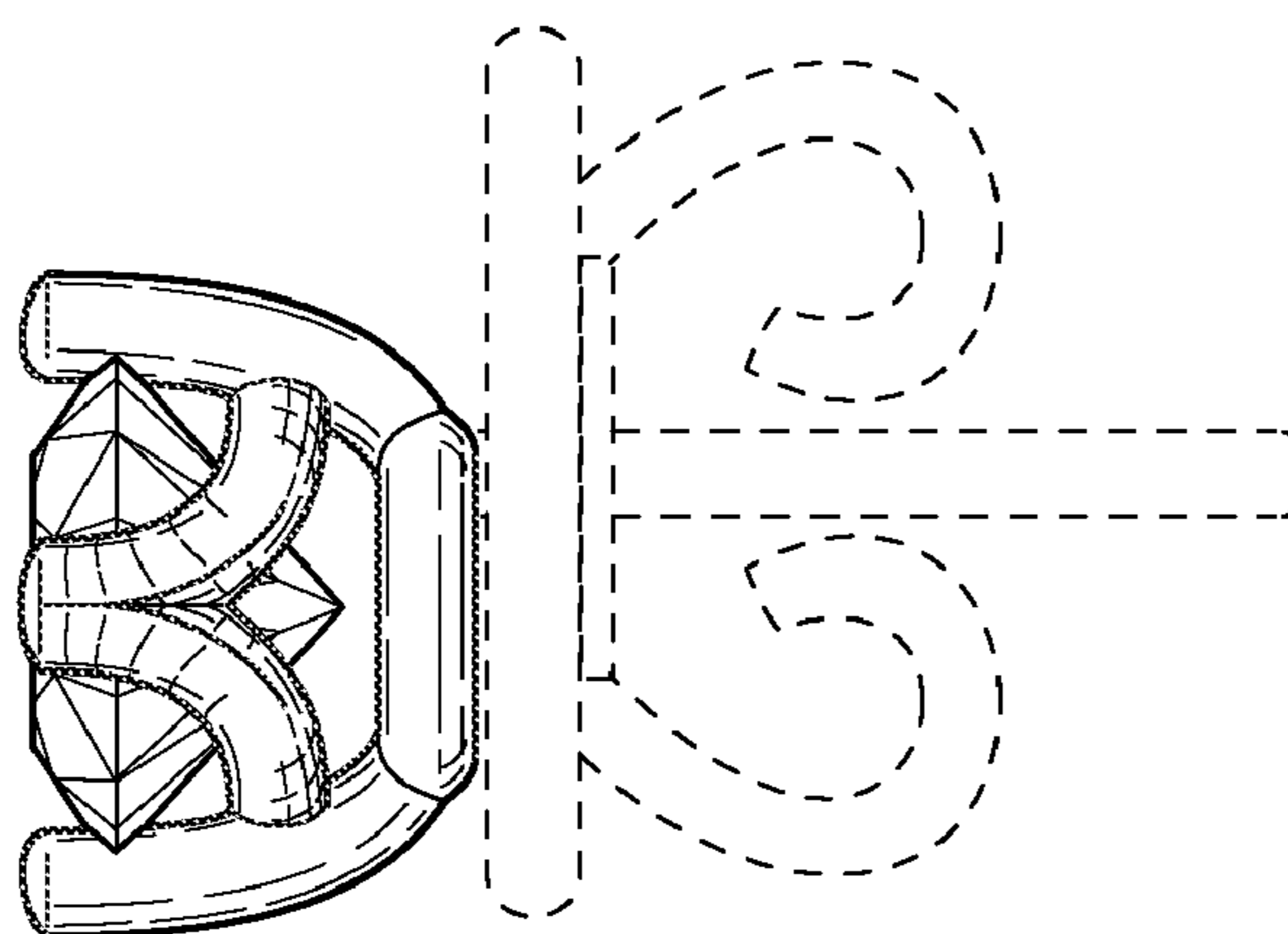
FIG. 1 is a top view of the earring;  
FIG. 2 is a right elevational view of the earring illustrated in FIG. 1 (the left elevational view is a mirror image of FIG. 2); and,  
FIG. 3 is a front view of the earring illustrated in FIG. 1.  
The broken lines in FIGS. 1-3 are included for the purpose of illustrating environment and form no part of the claimed design.

**1 Claim, 1 Drawing Sheet**

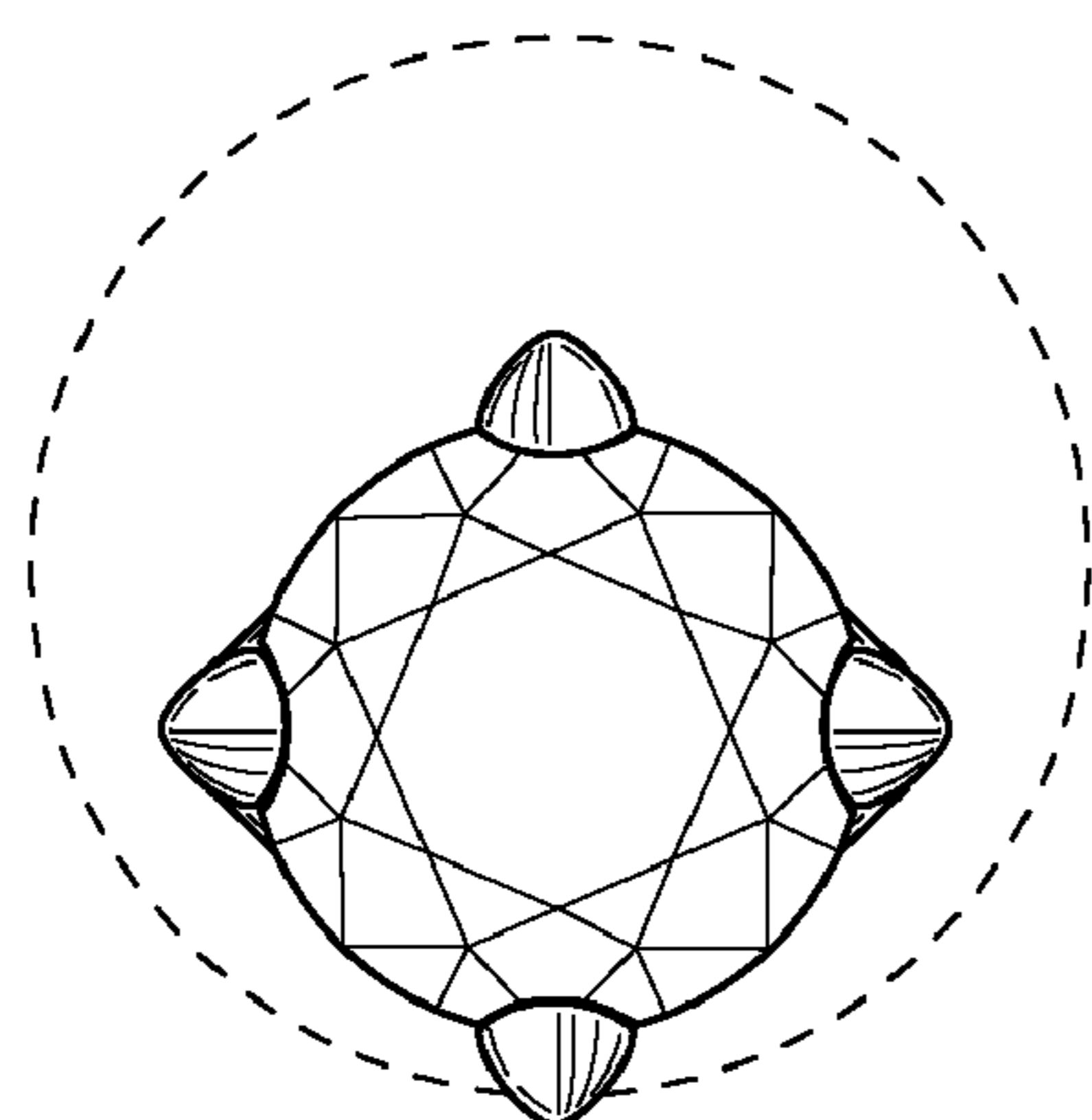




*Fig. 1*



*Fig. 2*



*Fig. 3*