



US00D639691S

(12) **United States Design Patent**
James

(10) **Patent No.:** **US D639,691 S**
(45) **Date of Patent:** **** Jun. 14, 2011**

(54) **NECKLACE WITH INTEGRATED CUP**

(76) Inventor: **Carlos A. James**, Miami, FL (US)

(**) Term: **14 Years**

(21) Appl. No.: **29/384,551**

(22) Filed: **Feb. 1, 2011**

(51) **LOC (9) Cl.** **11-01**

(52) **U.S. Cl.** **D11/7**

(58) **Field of Classification Search** D11/1-25,
D11/79-83, 95; D7/509-511; D3/229; D8/354;
224/148.4-148.7

See application file for complete search history.

(56) **References Cited**

U.S. PATENT DOCUMENTS

735,891	A	8/1903	Malliet	
D178,787	S *	9/1956	Katz	D11/7
D227,043	S *	5/1973	Van Den Berg	D3/229
4,802,070	A	1/1989	Westmoland	
5,341,634	A	8/1994	Straight	
5,407,110	A *	4/1995	Marsh, Jr.	224/148.6
D363,854	S *	11/1995	Katz	D7/509
5,622,292	A	4/1997	Dorney	
5,860,297	A	1/1999	Masucci	
D465,404	S *	11/2002	Perry	D8/354
D481,968	S	11/2003	Cerato	
D555,531	S *	11/2007	Wilson	D11/7
D555,897	S *	11/2007	Pietraroia	D3/229
D590,289	S *	4/2009	Karpman	D11/7
D625,513	S *	10/2010	Carnes et al.	D3/229
D631,380	S *	1/2011	Papadimitriou	D11/3

D634,232	S *	3/2011	Kelly et al.	D11/3
2007/0181589	A1	8/2007	Lipson	
2009/0090133	A1	4/2009	Lee	

OTHER PUBLICATIONS

- http://www.chinawholesaletown.com/wholesale-Bachelorette-Party-Shot-Glass-Necklace_16974634494d44bdafa3abf9720100713.jpg*
- http://www.bachelorettesuperstore.com/Merchant2/graphics/00000001/bp_lightupshot.jpg*
- <http://images.ibsrv.net/ibsrv/res/src/www.outblush.com/get/women/images/2009/10/Tincup-Big.jpg>*
- http://www.promotionalpromo.com/Upfiles/Prod_v/Necklace-33-Shot-Glass-Beads_2010017055476.jpg*

* cited by examiner

Primary Examiner — Cathron C Brooks

Assistant Examiner — Melanie Levy

(74) *Attorney, Agent, or Firm* — Kyle Fletcher

(57) **CLAIM**

The ornamental design for a necklace with integrated cup, as shown and described.

DESCRIPTION

- FIG. 1 is a front view of the necklace with integrated cup.
- FIG. 2 is a rear view of the claimed design.
- FIG. 3 is a side view of the claimed design.
- FIG. 4 is a top view of the claimed design; and,
- FIG. 5 is a bottom view of the claimed design.

1 Claim, 3 Drawing Sheets





FIG. 1



FIG. 2

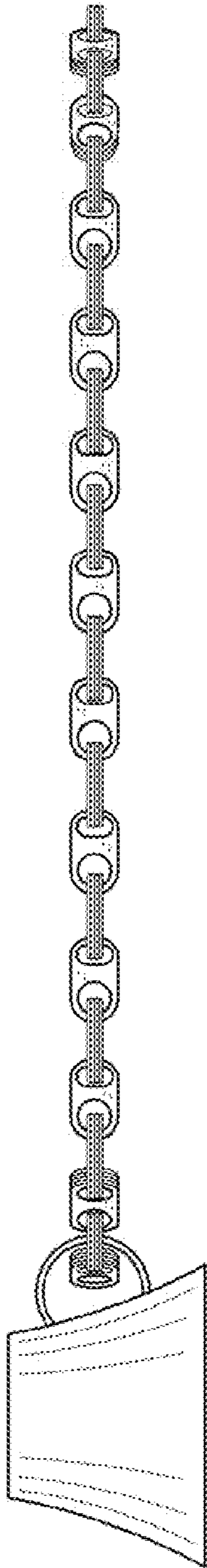


FIG. 3

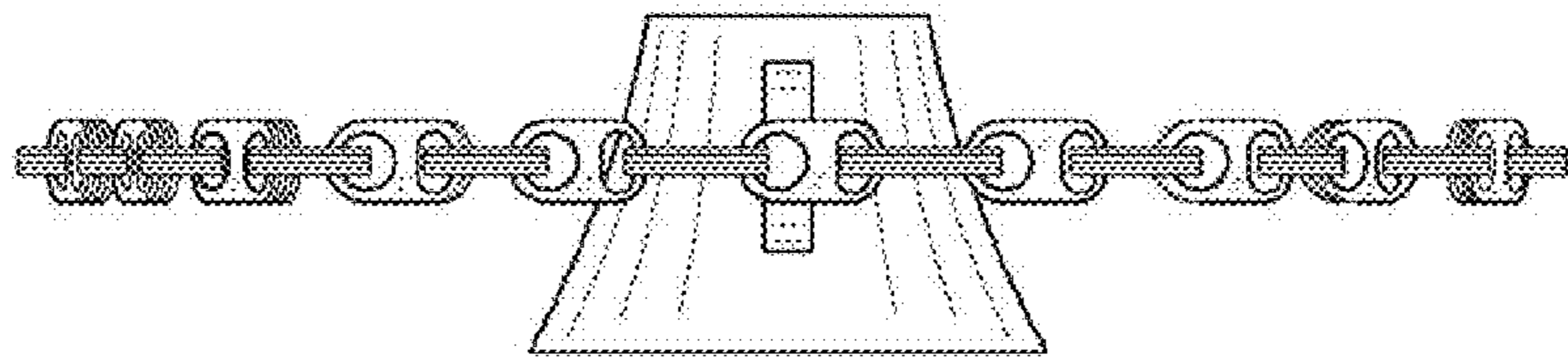


FIG. 4

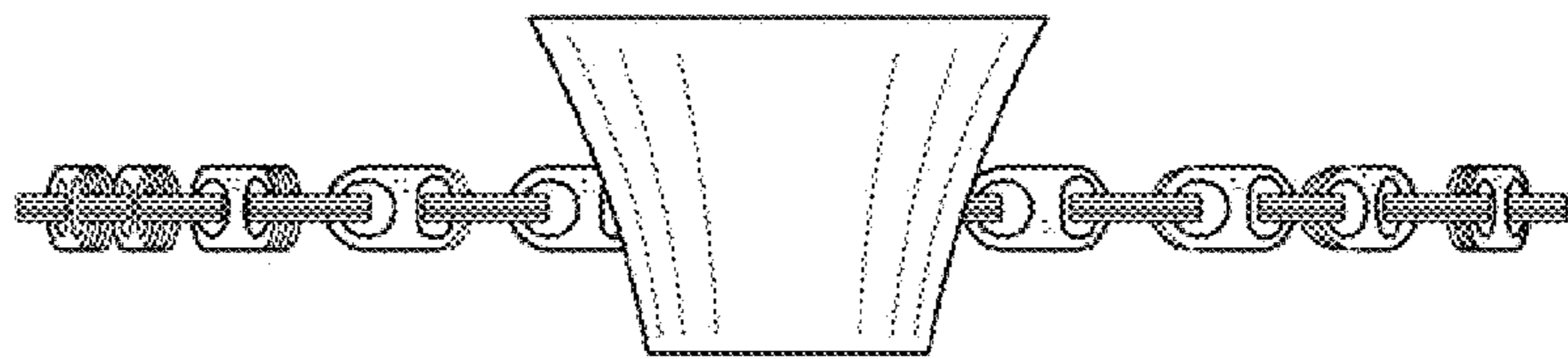


FIG. 5