



US00D639690S

(12) **United States Design Patent**
Zhu

(10) **Patent No.:** **US D639,690 S**

(45) **Date of Patent:** **** Jun. 14, 2011**

(54) **RING GUIDE**

(76) **Inventor:** **Xujie Zhu, Yueqing (CN)**

(**) **Term:** **14 Years**

(21) **Appl. No.:** **29/383,481**

(22) **Filed:** **Jan. 18, 2011**

(51) **LOC (9) Cl.** **11-01**

(52) **U.S. Cl.** **D11/3**

(58) **Field of Classification Search** D11/1-7,
D11/26-39; 63/12, 13, 14, 3, 3.1, 3.2, 4,
63/5.1, 5.2, 6; D10/30-32

See application file for complete search history.

(56) **References Cited**

U.S. PATENT DOCUMENTS

D28,704 S *	5/1898	Bauer et al.	D9/434
D224,913 S *	10/1972	Maroni	D10/32
D455,356 S *	4/2002	Saffer	D10/32
D525,553 S *	7/2006	Toupet	D11/5
D557,166 S *	12/2007	Wysopal	D11/26
D566,580 S *	4/2008	Giorgio	D10/32

D574,750 S *	8/2008	Sano	D11/157
D586,667 S *	2/2009	Brady et al.	D10/32
D605,507 S *	12/2009	Wolfe	D9/434
D612,269 S *	3/2010	Leung	D10/32

* cited by examiner

Primary Examiner — Cathron C Brooks

Assistant Examiner — Melanie Levy

(74) *Attorney, Agent, or Firm* — Clement Cheng

(57) **CLAIM**

The ornamental design for a ring guide, as shown and described.

DESCRIPTION

FIG. 1 is a perspective view.

FIG. 2 is a front view.

FIG. 3 is a rear view.

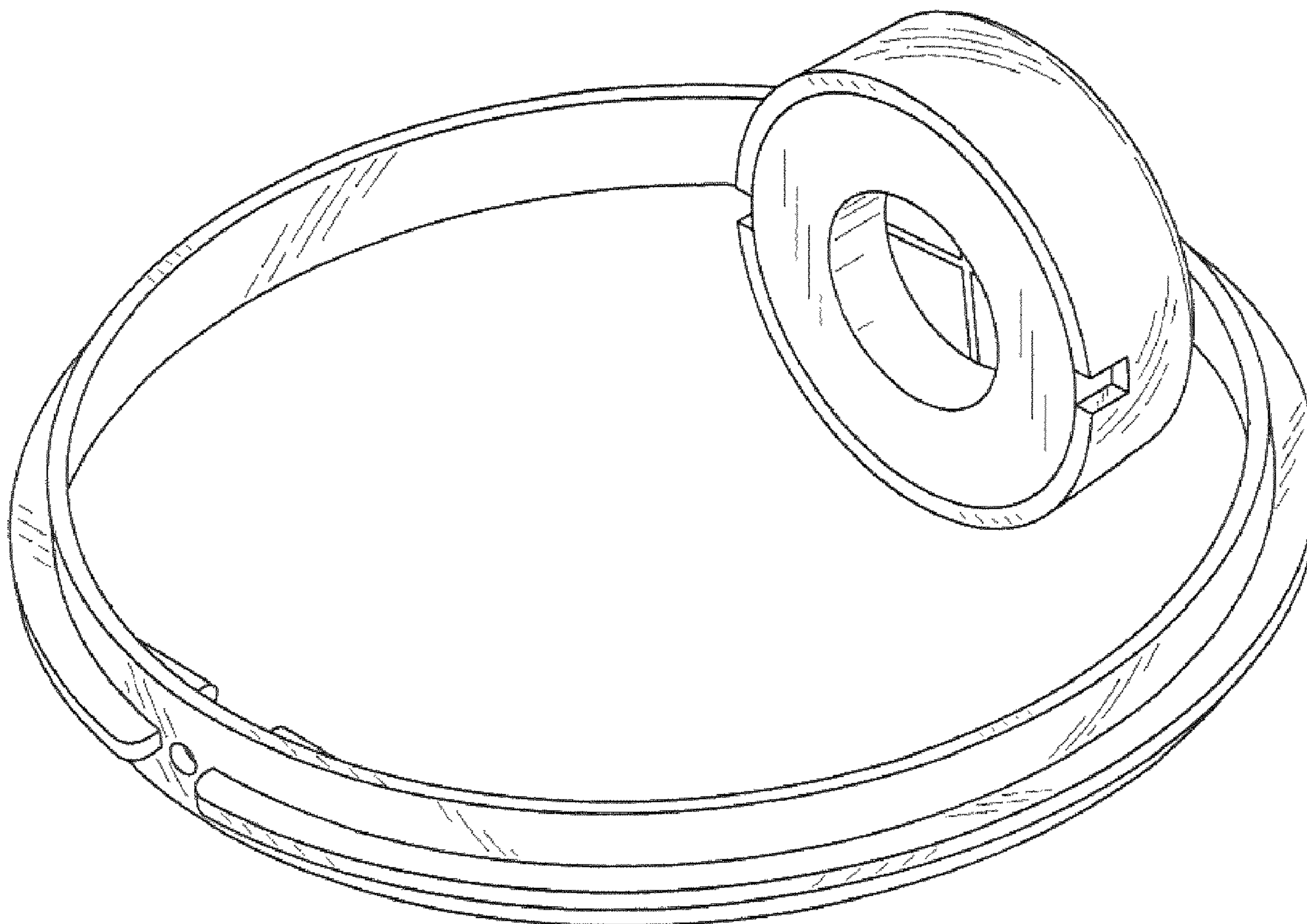
FIG. 4 is a left view.

FIG. 5 is a right view.

FIG. 6 is a top view; and,

FIG. 7 is a bottom view.

1 Claim, 5 Drawing Sheets



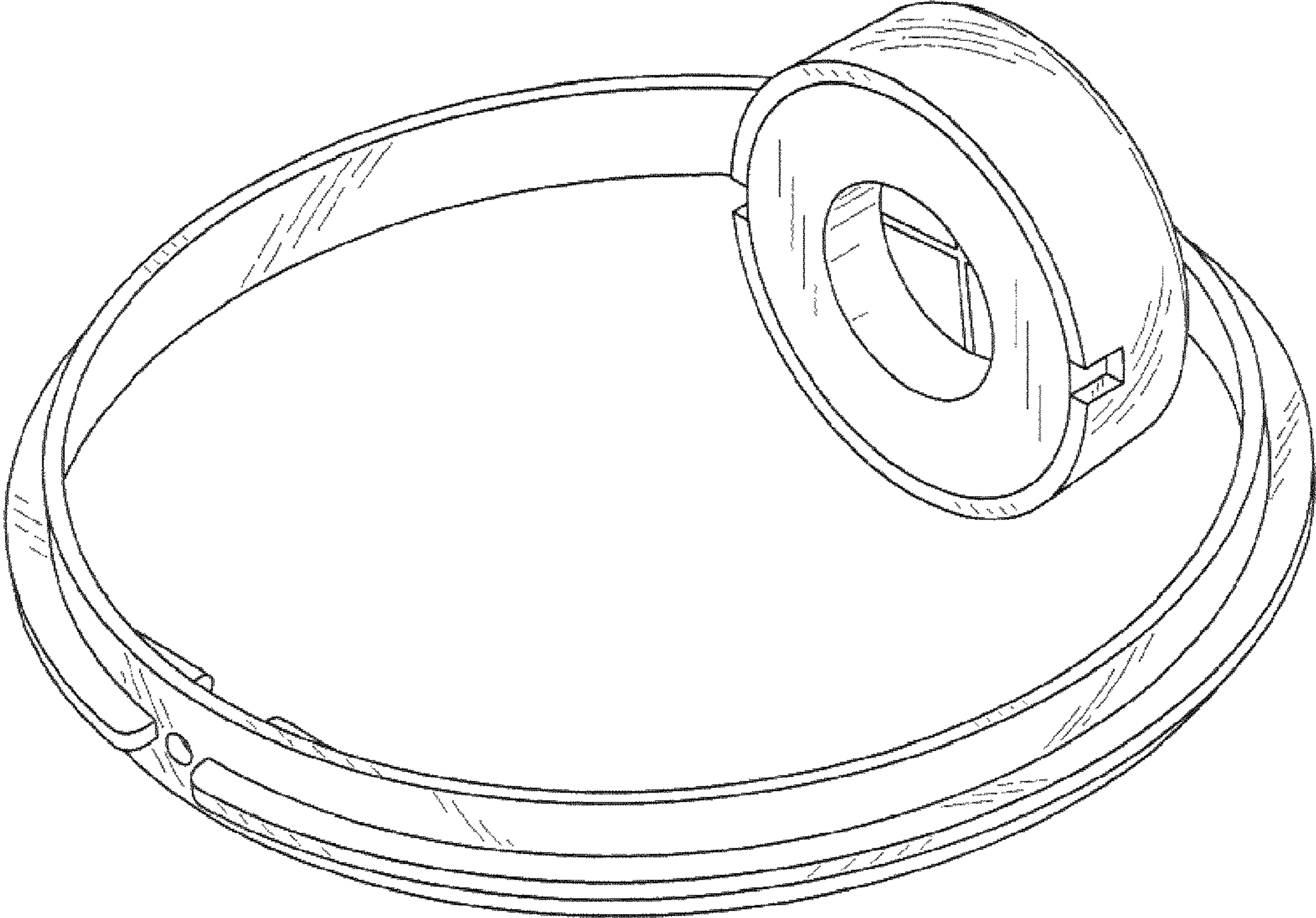


FIG. 1

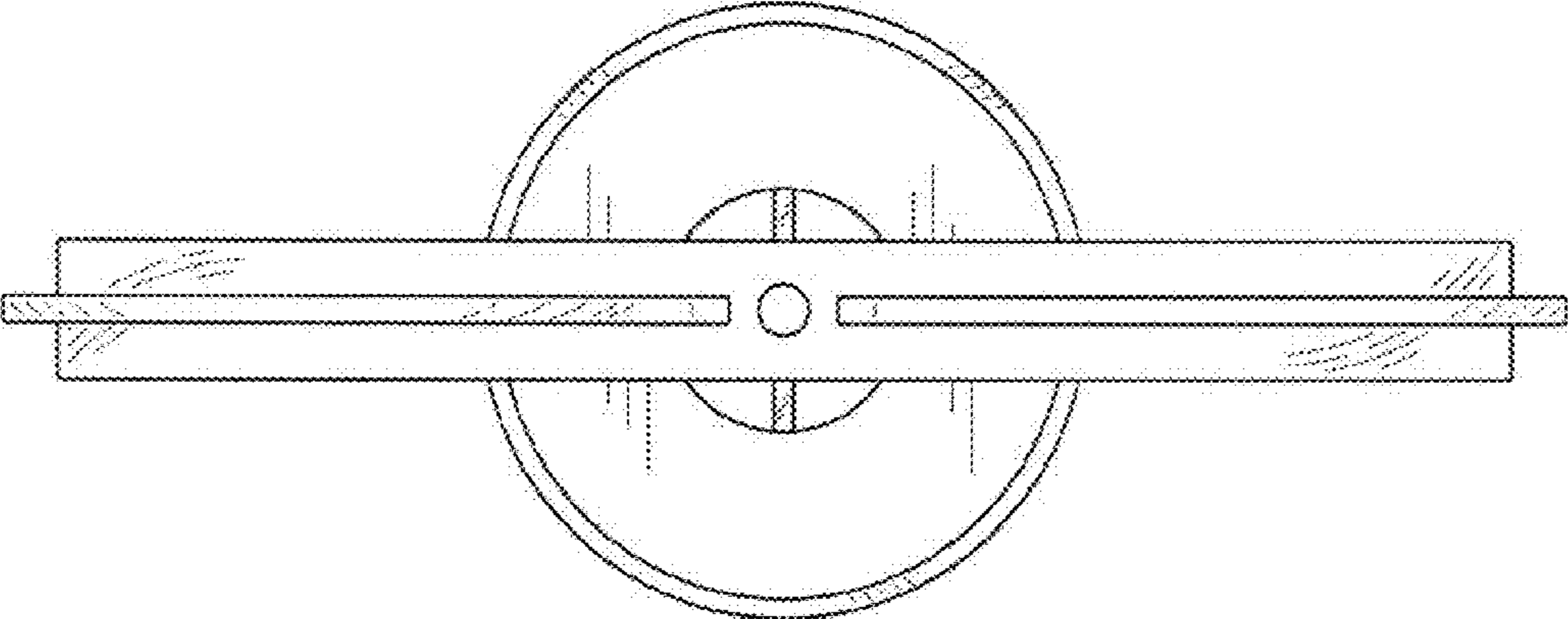


FIG. 2

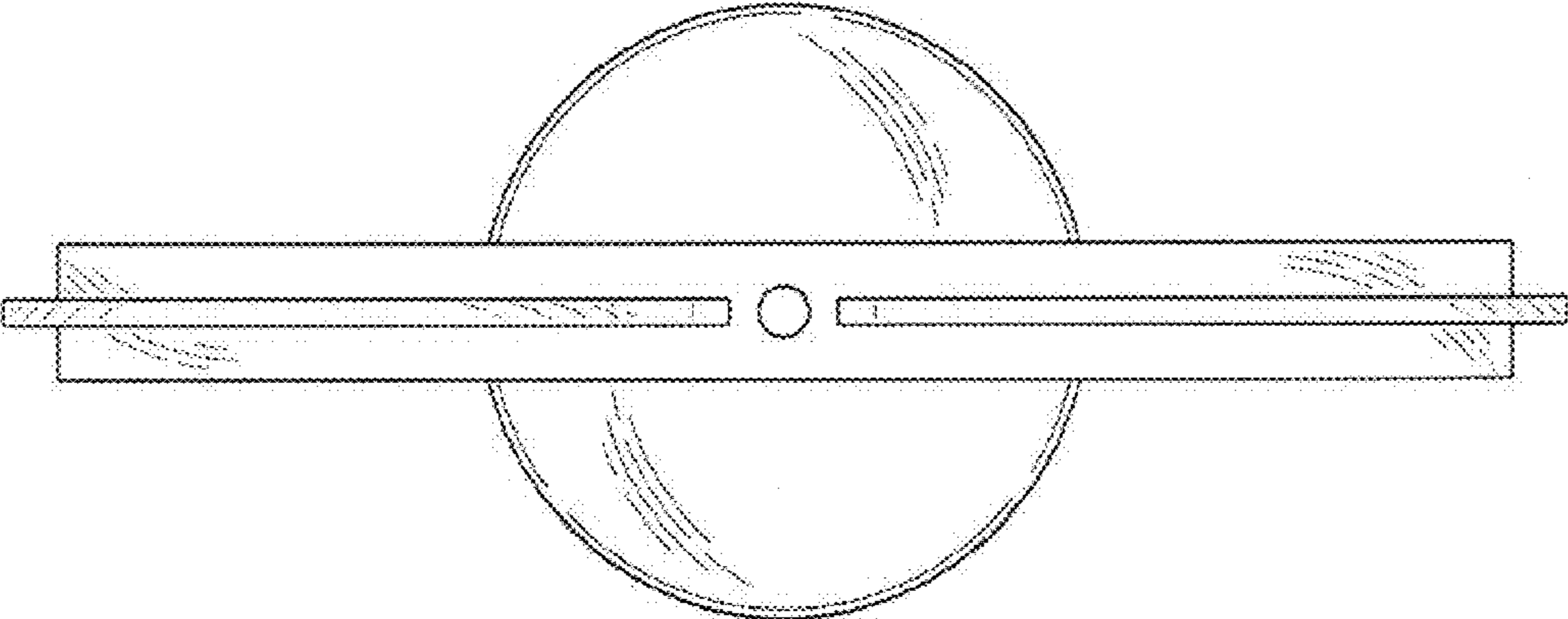


FIG. 3

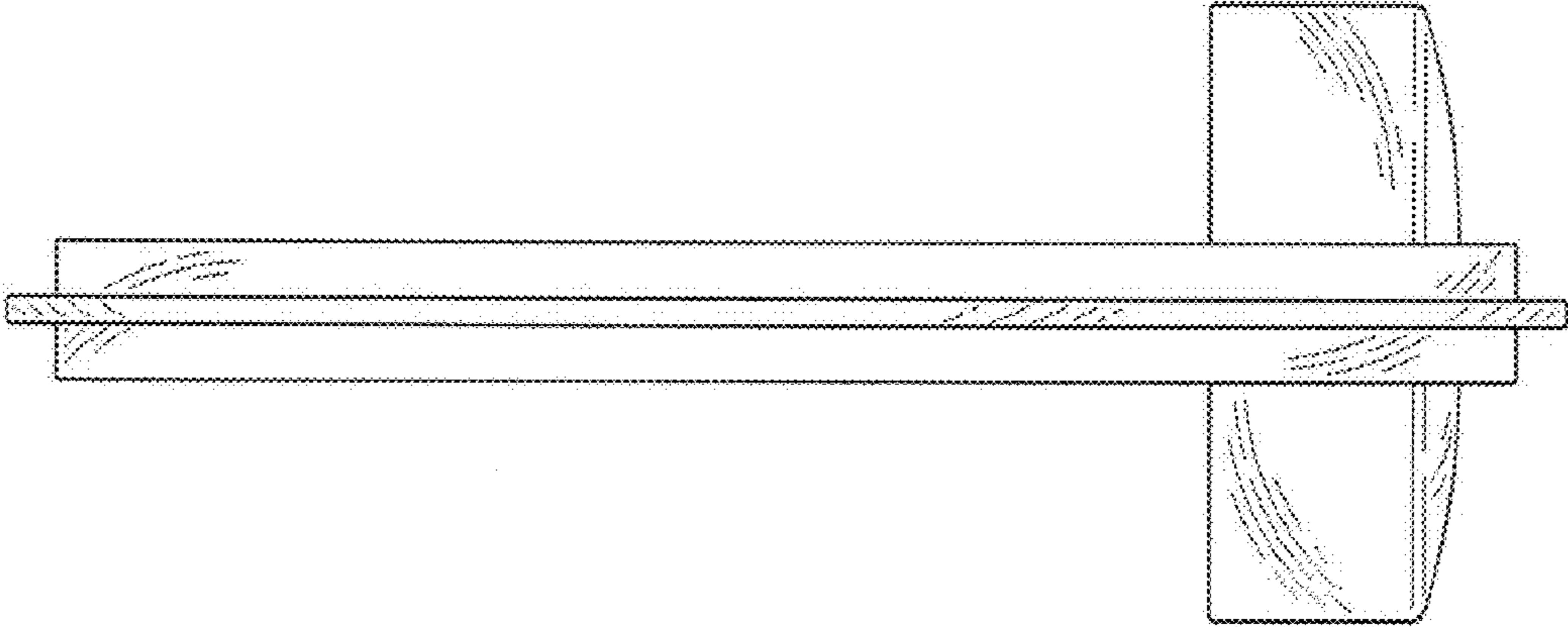


FIG. 4

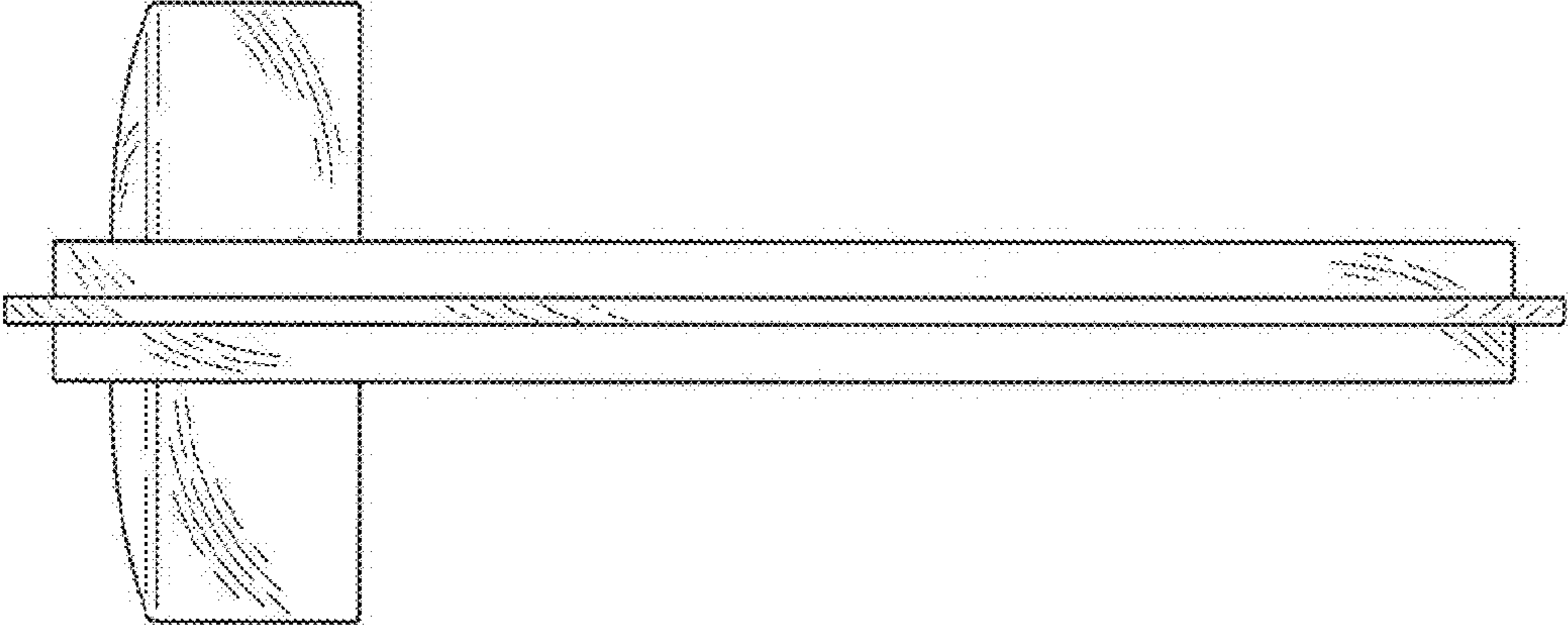


FIG. 5

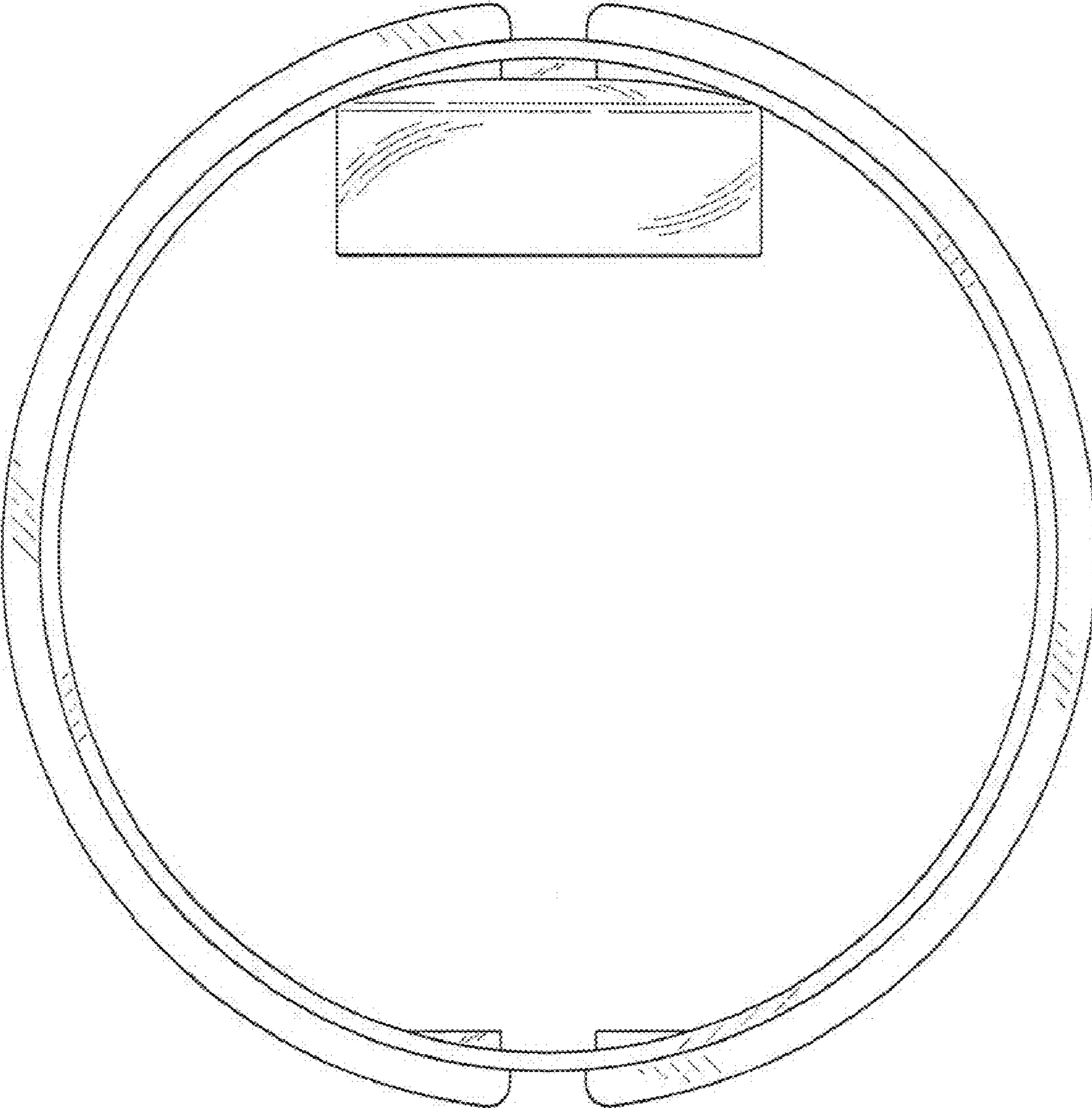


FIG. 6

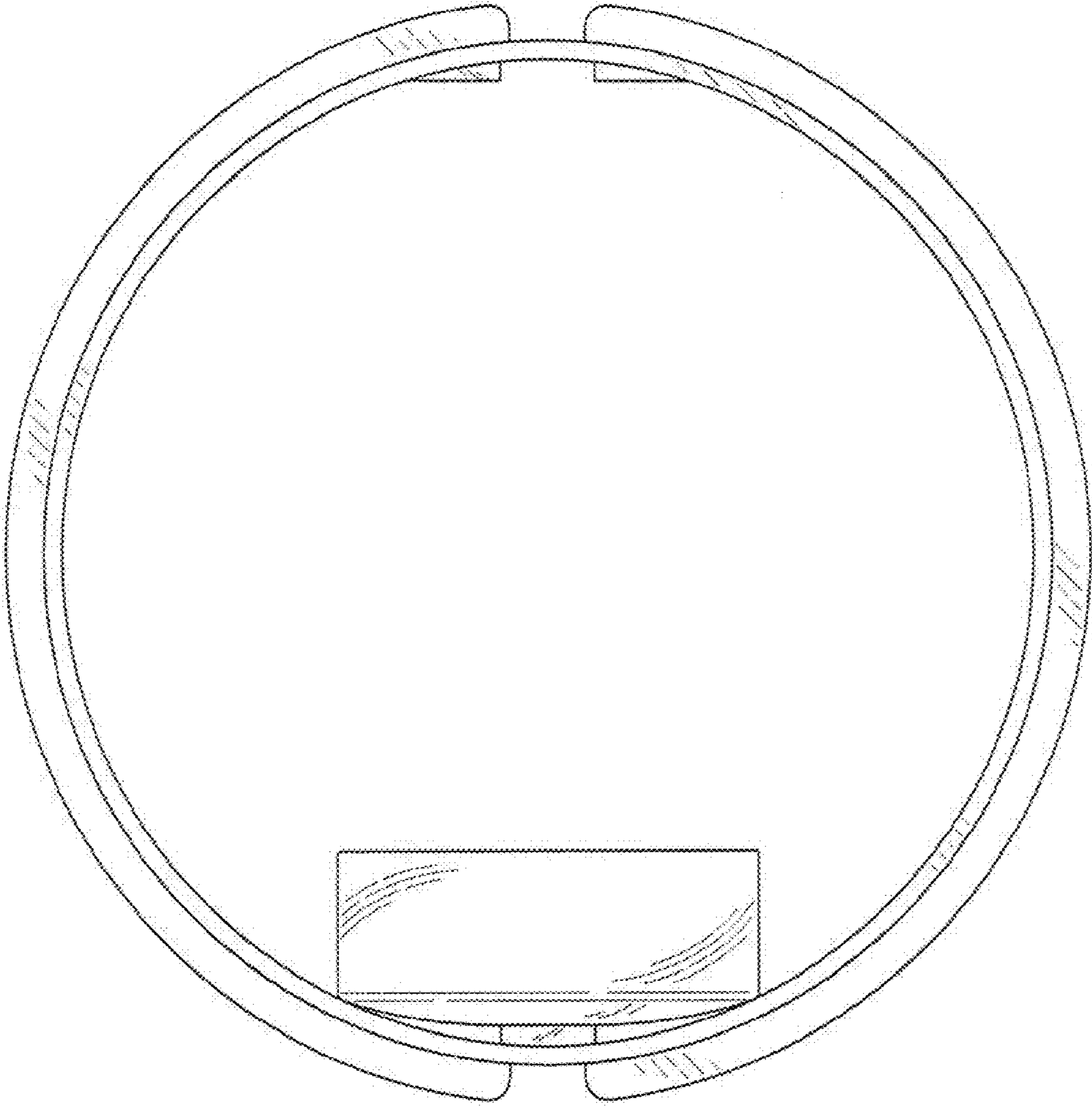


FIG. 7