



US00D639688S

(12) **United States Design Patent**  
**Neufeglise et al.**

(10) **Patent No.:** **US D639,688 S**  
(45) **Date of Patent:** **\*\* Jun. 14, 2011**

(54) **ACOUSTIC BACKUP ALARM CAPABLE OF DUAL TECHNOLOGY (ACOUSTICAL AND OPTICAL) OPERATION**

(75) Inventors: **Steven W. Neufeglise**, Rochester, NY (US); **John D. Green**, Honeoye Falls, NY (US)

(73) Assignee: **Star Headlight & Lantern Co., Inc.**, Avon, NY (US)

(\*\*) Term: **14 Years**

(21) Appl. No.: **29/316,825**

(22) Filed: **Nov. 5, 2009**

(51) **LOC (9) Cl.** ..... **10-05**

(52) **U.S. Cl.** ..... **D10/116**

(58) **Field of Classification Search** ..... D10/120;  
340/463, 435, 436, 384.1, 384.4  
See application file for complete search history.

(56) **References Cited**

U.S. PATENT DOCUMENTS

4,603,317	A *	7/1986	Gailbreath et al.	.....	340/463
4,689,609	A	8/1987	Ko et al.		
4,790,020	A	12/1988	Lin		
4,847,590	A	7/1989	Gosswiller		
4,893,343	A	1/1990	Bader		
4,963,855	A	10/1990	Kojima		
4,975,965	A	12/1990	Adamson		
4,994,800	A *	2/1991	Milliken	.....	340/901
D382,221	S *	8/1997	Chen	.....	D10/120
D397,635	S *	9/1998	Chu	.....	D10/120
5,804,774	A	9/1998	Ford et al.		
5,970,158	A	10/1999	Beltran		
6,127,918	A	10/2000	Lin		
6,166,623	A *	12/2000	Coward	.....	340/384.1
D453,306	S	2/2002	Bekasi		

6,516,076	B1	2/2003	Marlin		
D485,201	S *	1/2004	Corrigan	.....	D10/120
D512,336	S *	12/2005	Flick	.....	D10/120
D513,200	S	12/2005	Lai		
6,977,584	B2 *	12/2005	Milliken	.....	340/468
D514,010	S	1/2006	Corrigan		
D514,466	S	2/2006	Lai		
D514,973	S	2/2006	Coward		
D516,448	S	3/2006	Lai		
D518,023	S	3/2006	Miller		
7,617,794	B2	11/2009	Chlystek		
2005/0276432	A1	12/2005	Hsieh		

\* cited by examiner

*Primary Examiner* — Caron Veynar

*Assistant Examiner* — George D Kirschbaum

(74) *Attorney, Agent, or Firm* — Kenneth J. Lukacher; Martin Lukacher

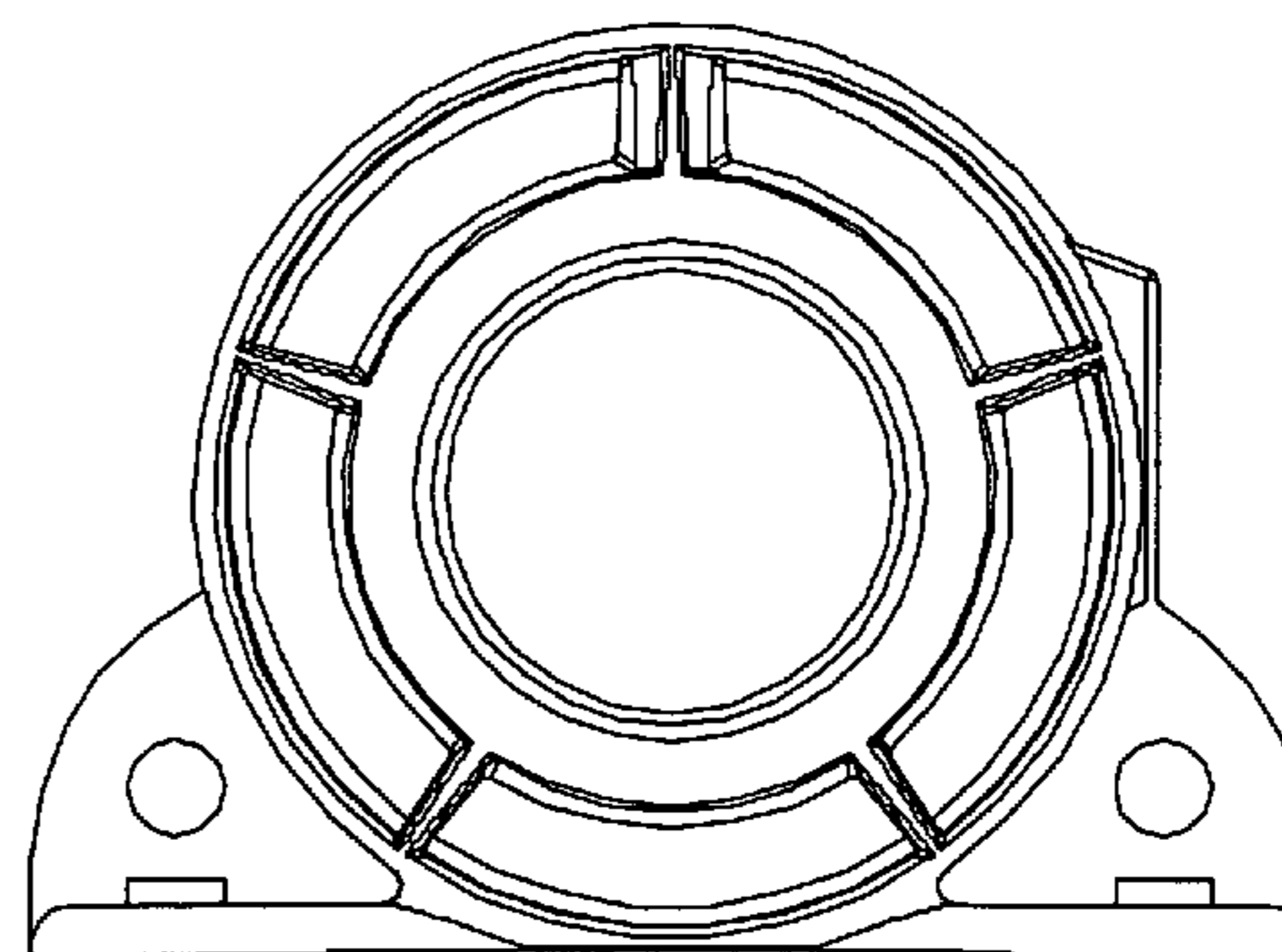
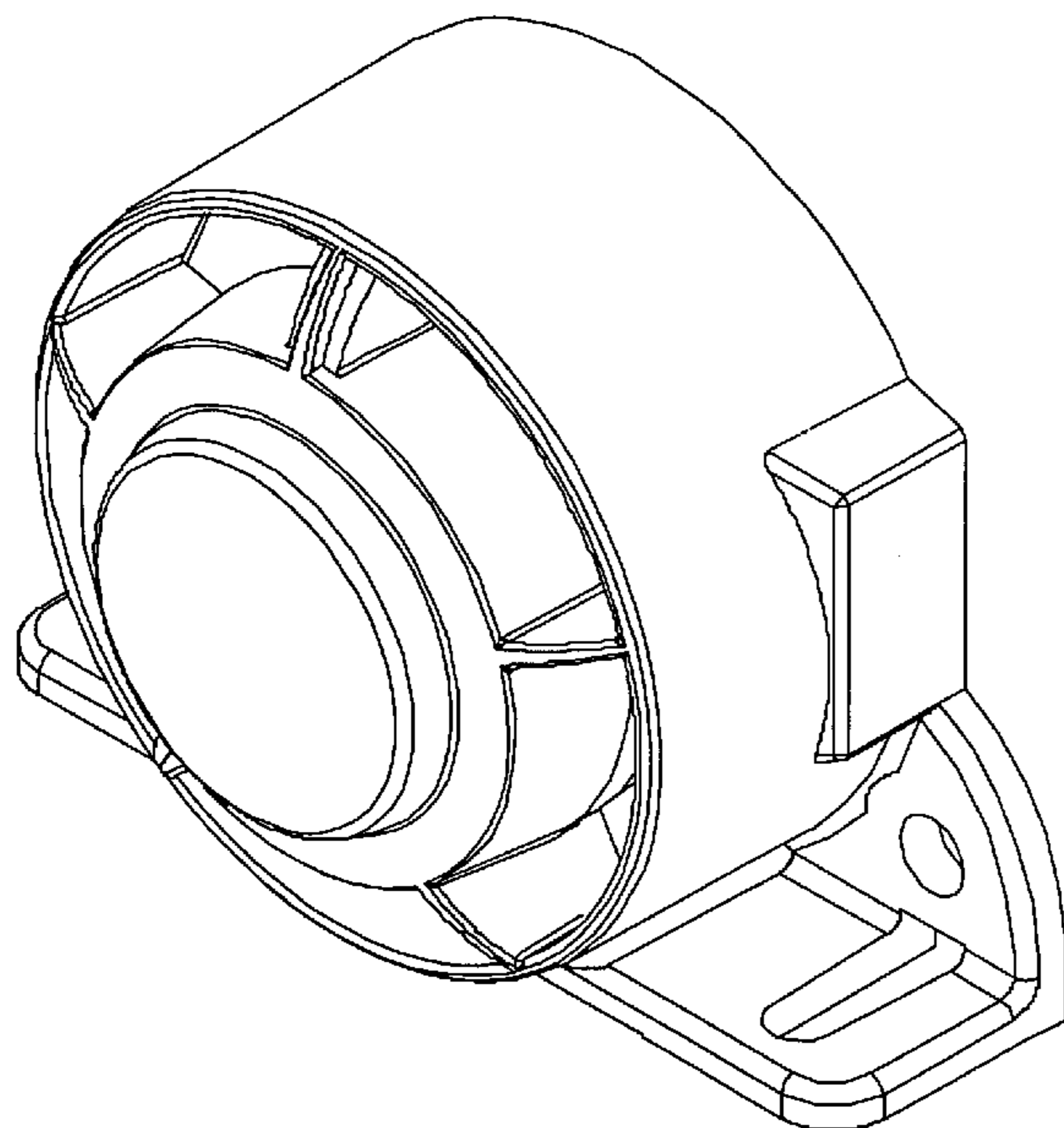
(57) **CLAIM**

The ornamental design for an acoustic backup alarm capable of dual technology (acoustical and optical) operation, as shown and described.

**DESCRIPTION**

FIG. 1 is a perspective view looking downwardly from the right side thereof of an acoustic backup alarm in accordance with the invention;  
FIG. 2 is a perspective view similar to FIG. 1, but looking downwardly from the left of the acoustic backup alarm in accordance with the invention;  
FIG. 3 is a front elevational view thereof;  
FIG. 4 is an elevational view of the right side thereof;  
FIG. 5 is an elevational view from the left side thereof;  
FIG. 6 is a top view thereof; and,  
FIG. 7 is a bottom view thereof.

**1 Claim, 4 Drawing Sheets**



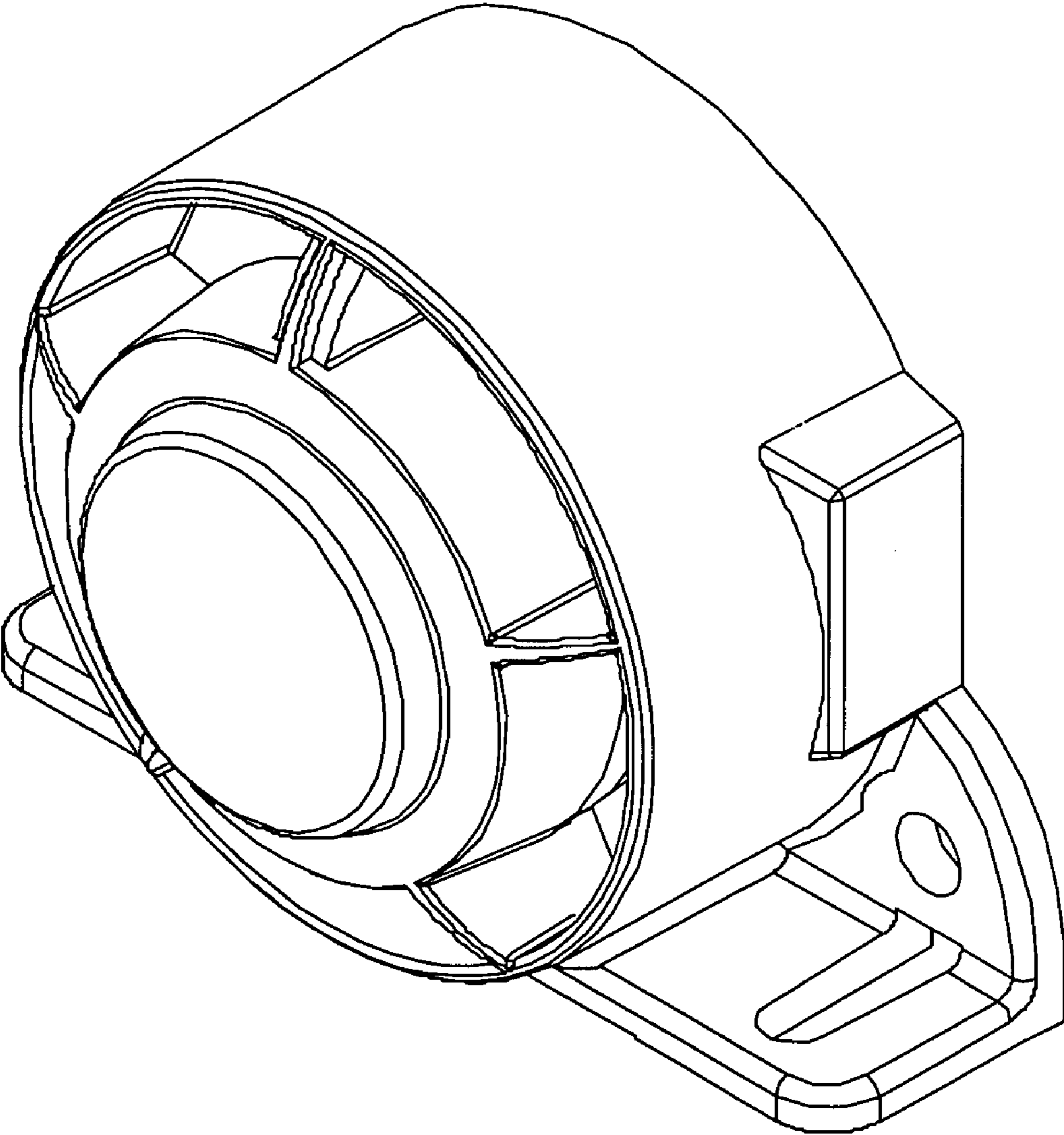


FIG. 1

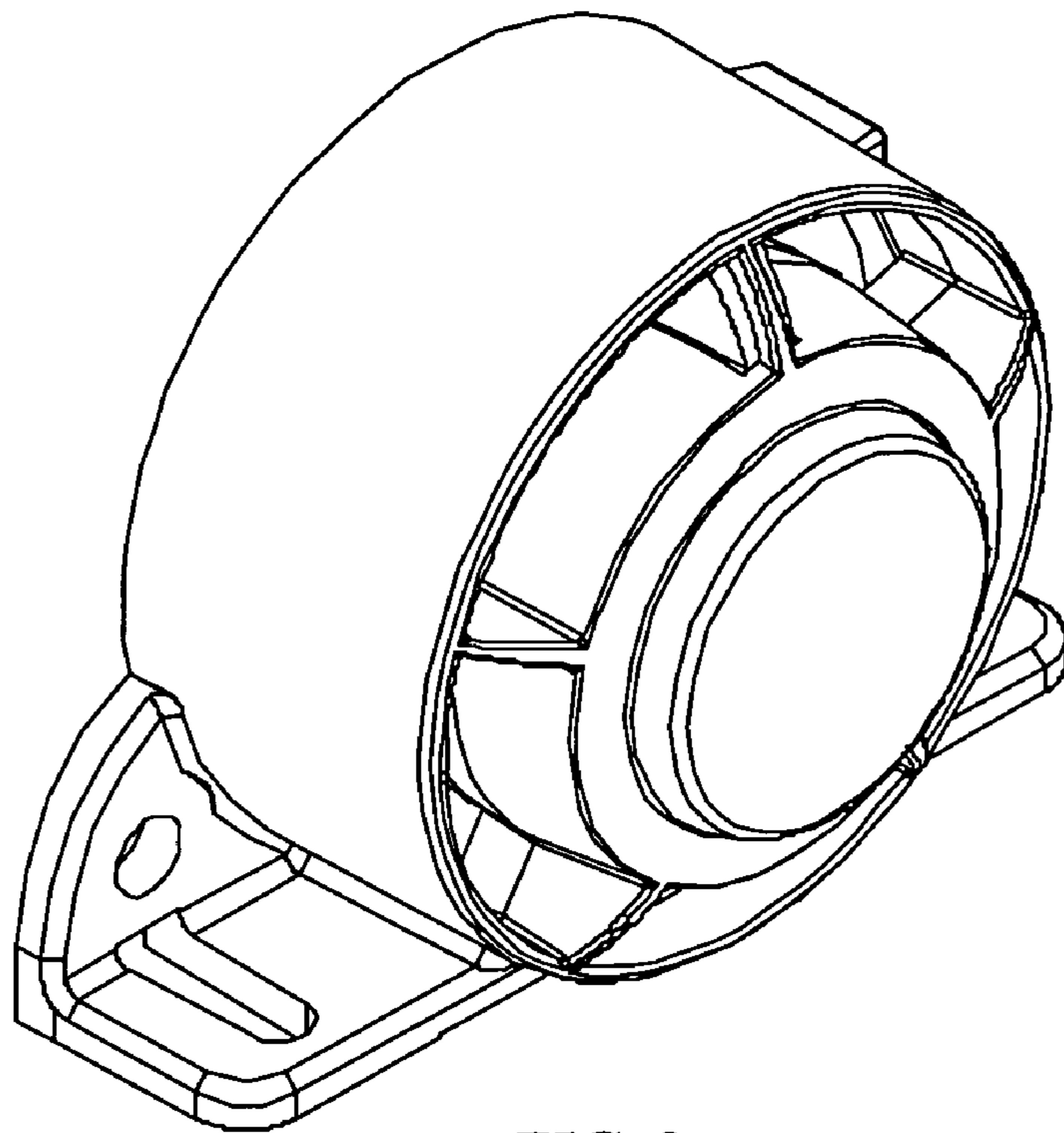


FIG. 2

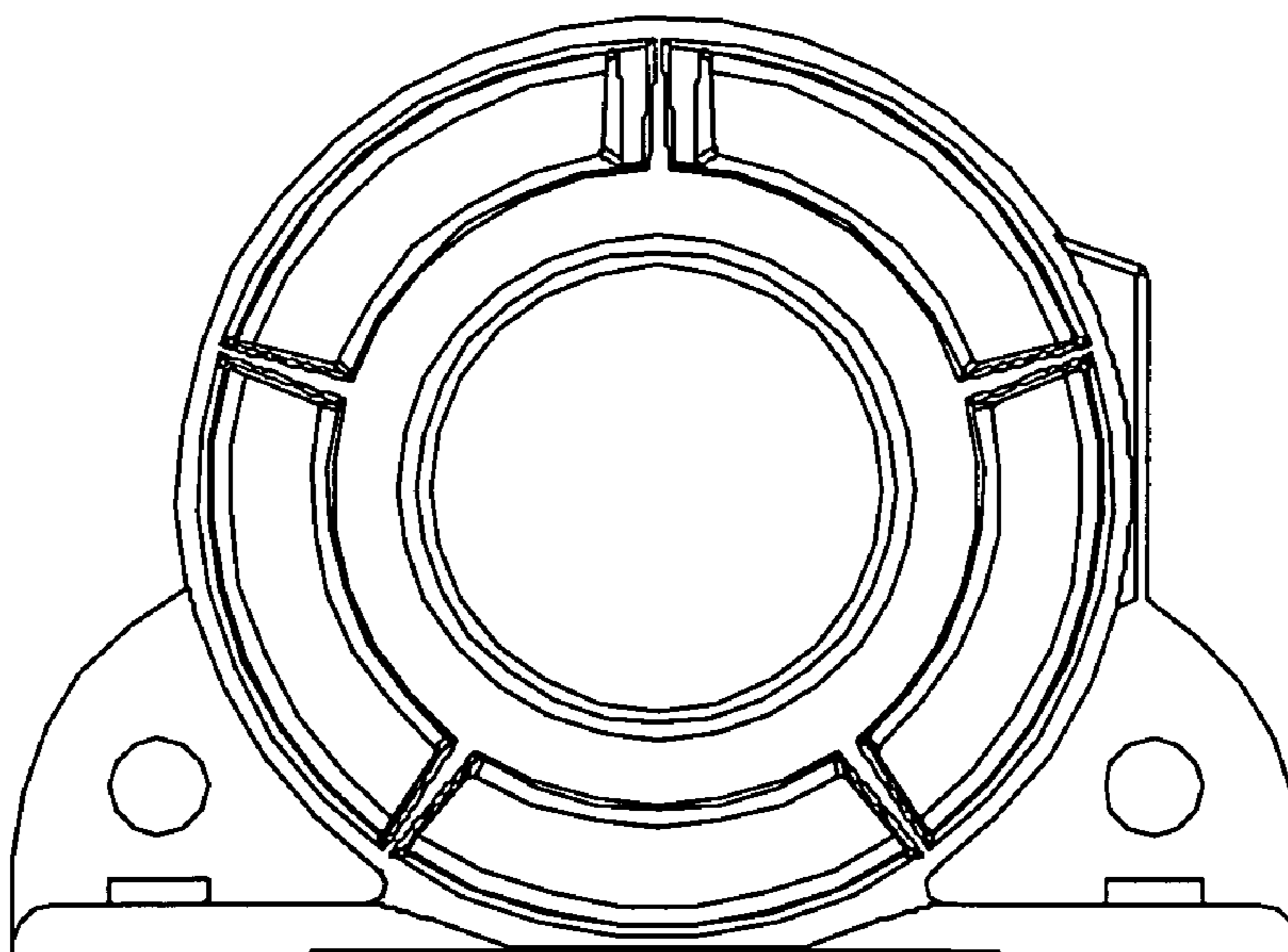


FIG. 3

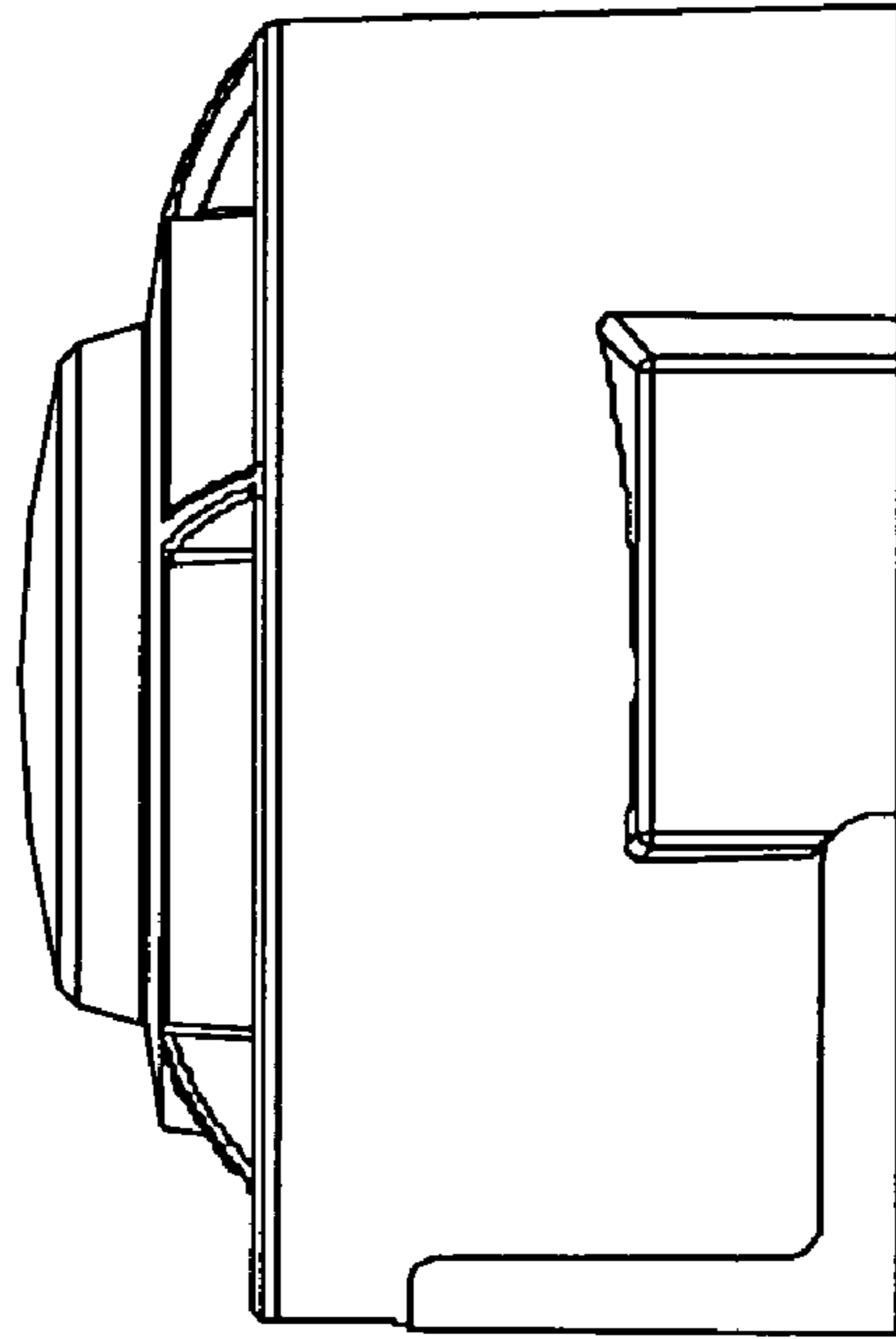


FIG. 4

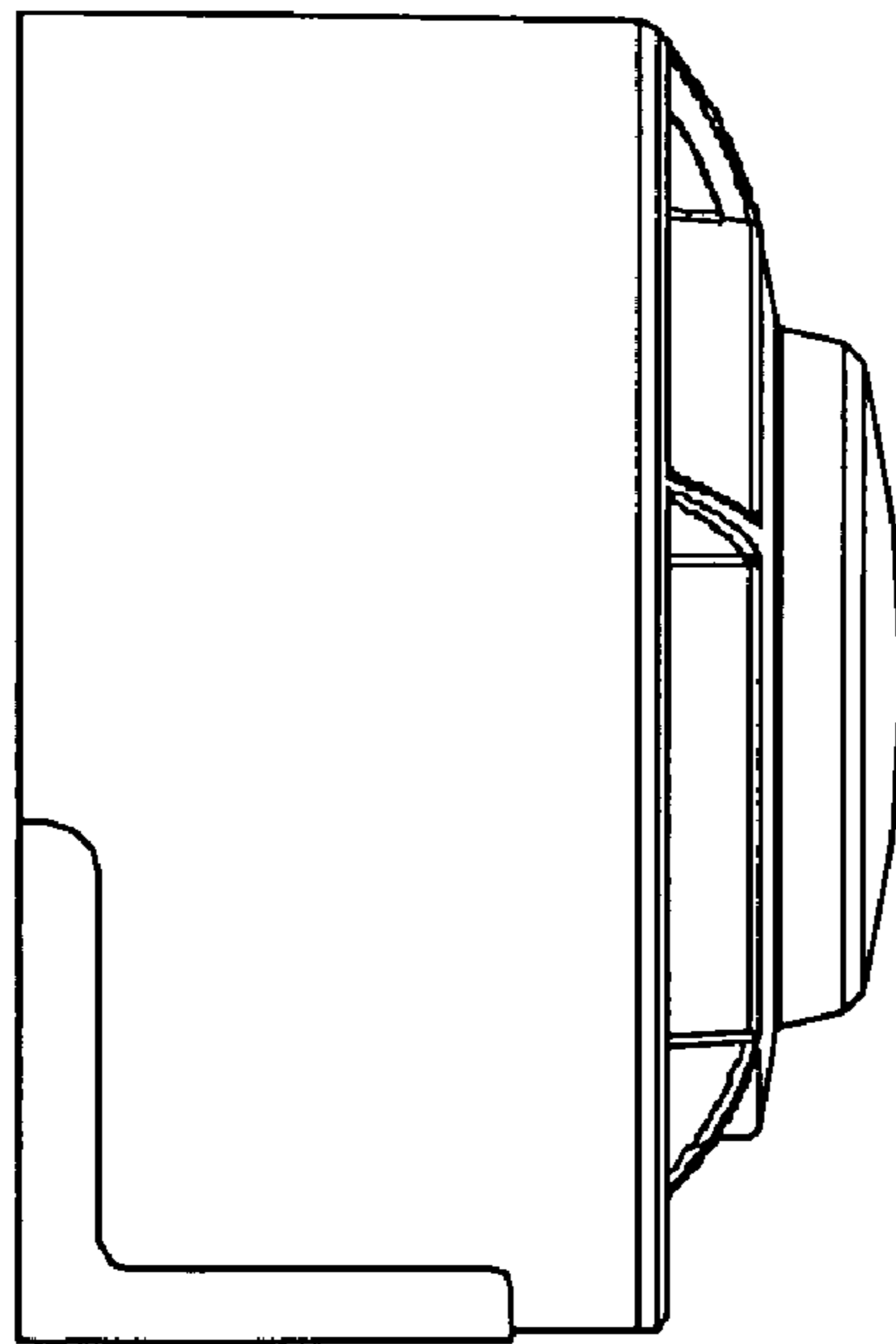


FIG. 5

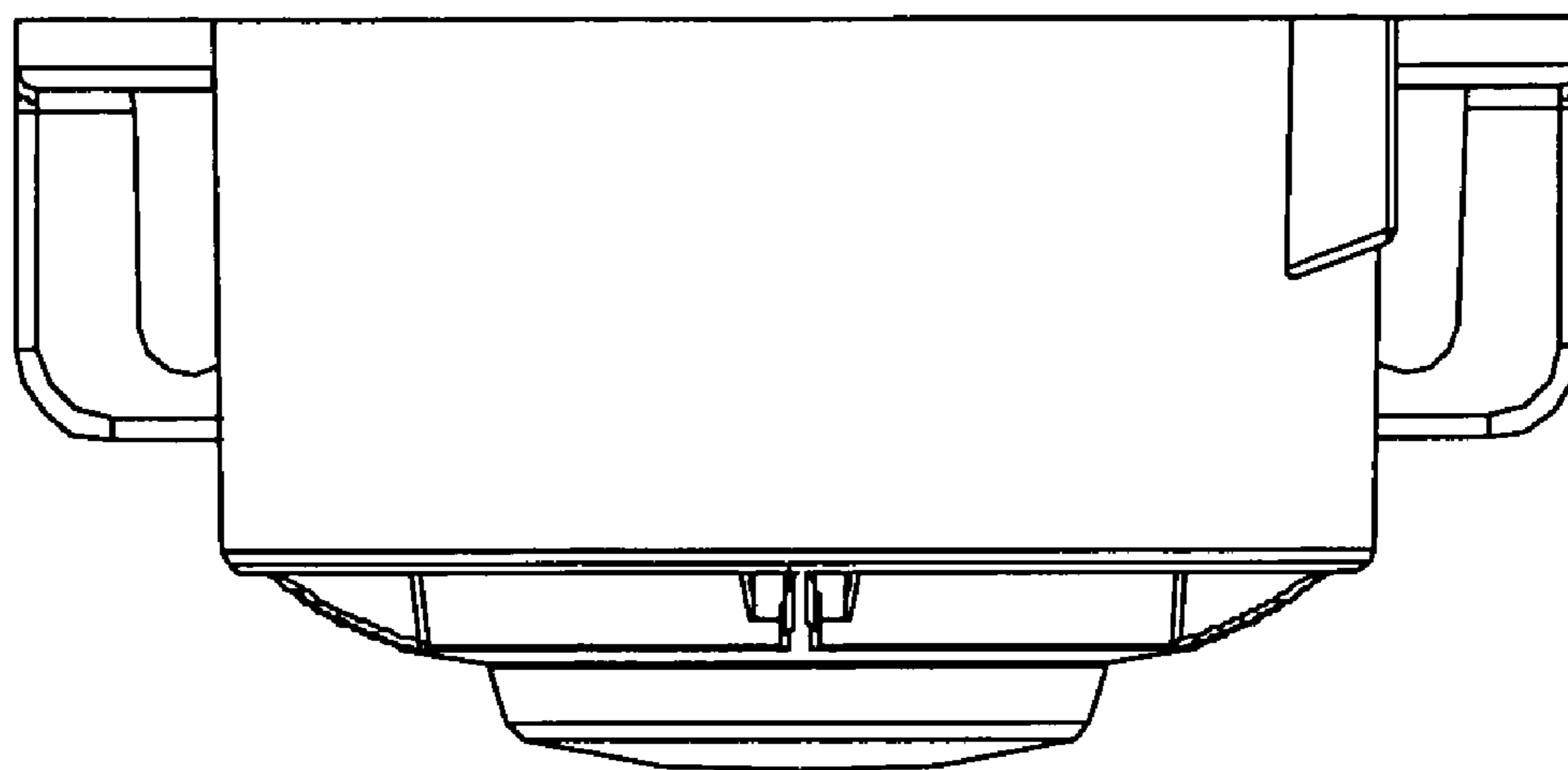


FIG. 6

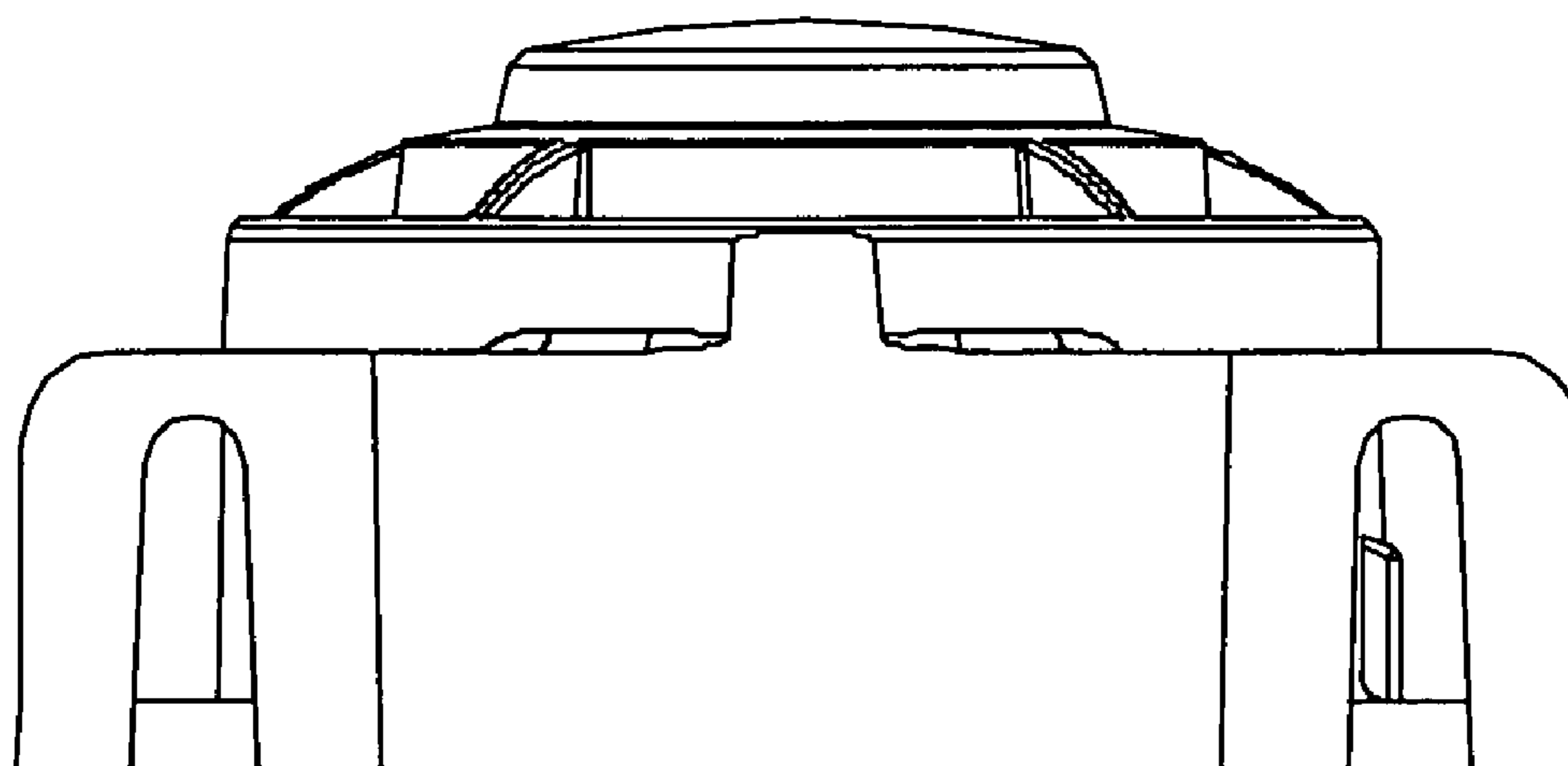


FIG. 7