



US00D639687S

(12) **United States Design Patent**  
**Meyer**

(10) **Patent No.:** **US D639,687 S**

(45) **Date of Patent:** **\*\* \*Jun. 14, 2011**

(54) **LIGHT POD**

(75) Inventor: **Charles P Meyer**, New Lenox, IL (US)

(73) Assignee: **Federal Signal Corporation**, Oak Brook, IL (US)

(\*\*) Term: **14 Years**

(21) Appl. No.: **29/356,139**

(22) Filed: **Feb. 19, 2010**

(51) **LOC (9) Cl.** ..... **10-05**

(52) **U.S. Cl.** ..... **D10/114**

(58) **Field of Classification Search** ..... D10/114,  
D10/111; 362/542, 480, 493; 340/468; D26/28,  
D26/35, 80-86

See application file for complete search history.

(56) **References Cited**

**U.S. PATENT DOCUMENTS**

|           |    |   |         |                |       |         |
|-----------|----|---|---------|----------------|-------|---------|
| D216,222  | S  | * | 12/1969 | Magi et al.    | ..... | D26/35  |
| D294,674  | S  |   | 3/1988  | Gresens        |       |         |
| D294,974  | S  | * | 3/1988  | Gresens        | ..... | D26/35  |
| D324,921  | S  | * | 3/1992  | Stanuch et al. | ..... | D26/35  |
| 5,097,397 | A  |   | 3/1992  | Stanuch        |       |         |
| D330,687  | S  |   | 11/1992 | Stanuch        |       |         |
| 5,422,673 | A  |   | 6/1995  | Kondo et al.   |       |         |
| RE36,245  | E  | * | 7/1999  | Stanuch et al. | ..... | 362/480 |
| 6,100,791 | A  |   | 8/2000  | Bader et al.   |       |         |
| 6,511,216 | B2 |   | 1/2003  | Strickland     |       |         |
| D493,551  | S  | * | 7/2004  | Begin          | ..... | D26/28  |
| D561,058  | S  | * | 2/2008  | Taylor         | ..... | D10/106 |
| D592,089  | S  | * | 5/2009  | Shin           | ..... | D10/114 |

|              |    |  |        |                   |  |  |
|--------------|----|--|--------|-------------------|--|--|
| D614,986     | S  |  | 5/2010 | Shin              |  |  |
| 2002/0109999 | A1 |  | 8/2002 | Strickland        |  |  |
| 2010/0157589 | A1 |  | 6/2010 | Czajkowski et al. |  |  |

**OTHER PUBLICATIONS**

Code3, Defender™, 3 pages.  
Code3, RX 2700™ CC, 1 page.  
SoundOff Signal, Pinnacle™ (Fusion Technology Gen3 Lightbar), 22 pages.  
Tomar, 970L Scorpion Low Profile Lightbar, 2 pages.  
Tomar, THE BLADE™ Low-Profile Lightbar, 4 pages.  
Whelan Engineering Co., Inc., Mini Justice® Super-LED® Mini Lightbar Series, © 2008, 1 page.  
Whelan Engineering Co., Inc., Whelan® LFL Liberty™ Linear-LED® Lightbars, © 2009, 4 pages.  
Declaration of Paul Gergets executed Oct. 13, 2010.

\* cited by examiner

*Primary Examiner* — Caron Veynar

*Assistant Examiner* — George D Kirschbaum

(74) *Attorney, Agent, or Firm* — Merchant & Gould P.C.

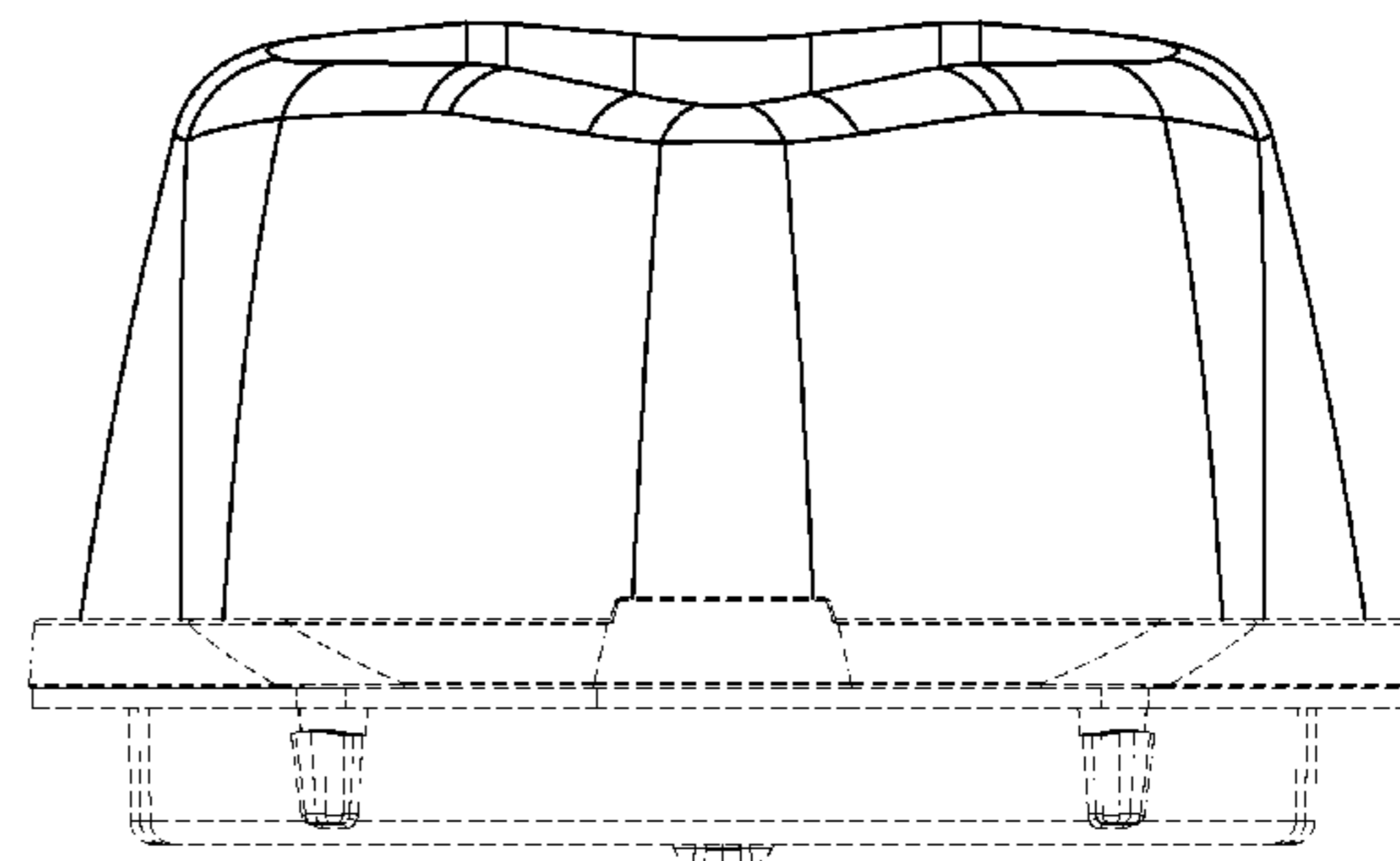
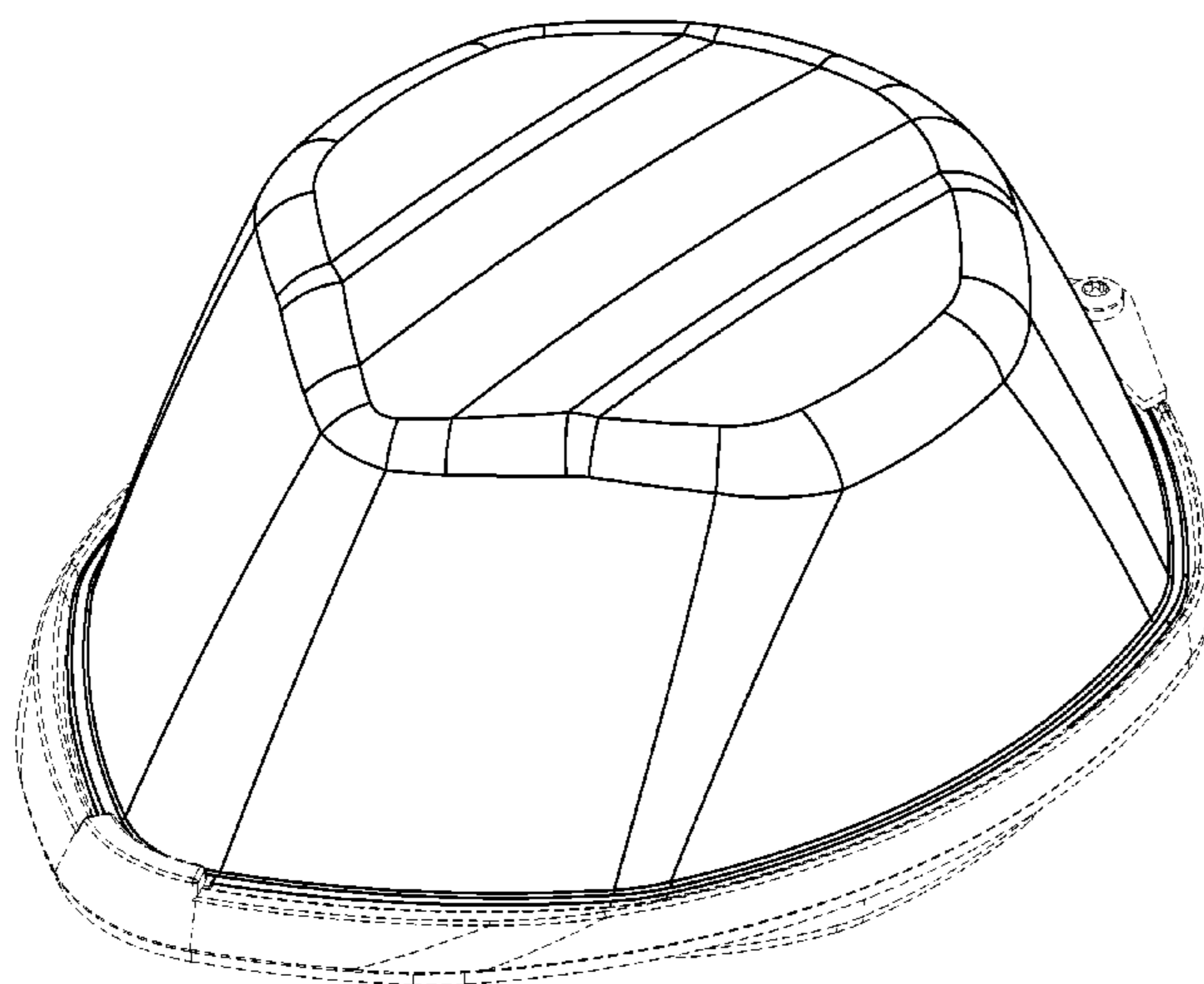
(57) **CLAIM**

The ornamental design for light pod, as shown and described.

**DESCRIPTION**

FIG. 1 is a top perspective view for a light pod, showing my new design;  
FIG. 2 is a front elevational view thereof;  
FIG. 3 is a rear elevational view thereof;  
FIG. 4 is a side elevational view, the opposite side being a mirror image thereof; and,  
FIG. 5 is a top plan view thereof.  
The broken line showing of light pod bottom forms no part of the claimed design.

**1 Claim, 5 Drawing Sheets**



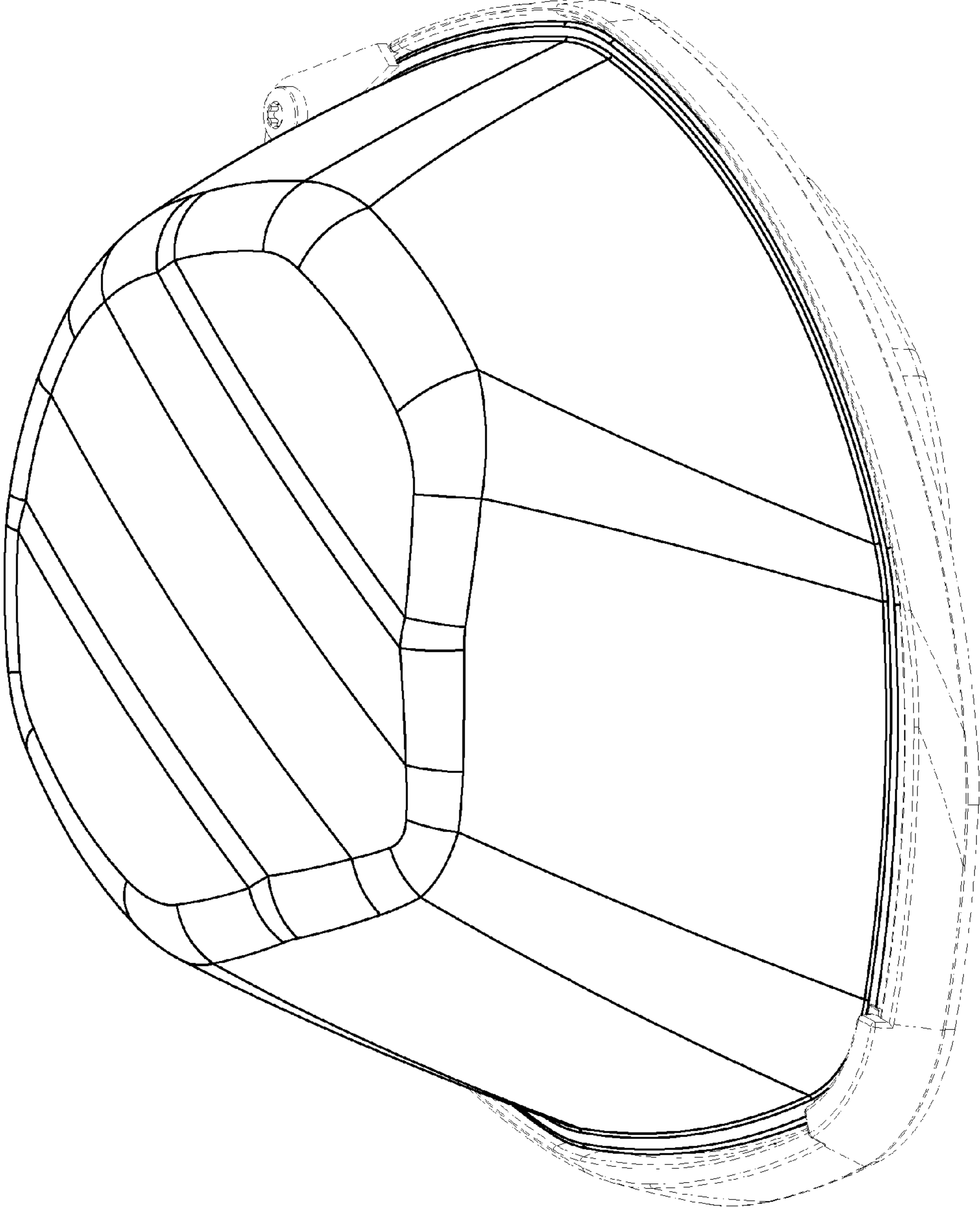


FIG. 1

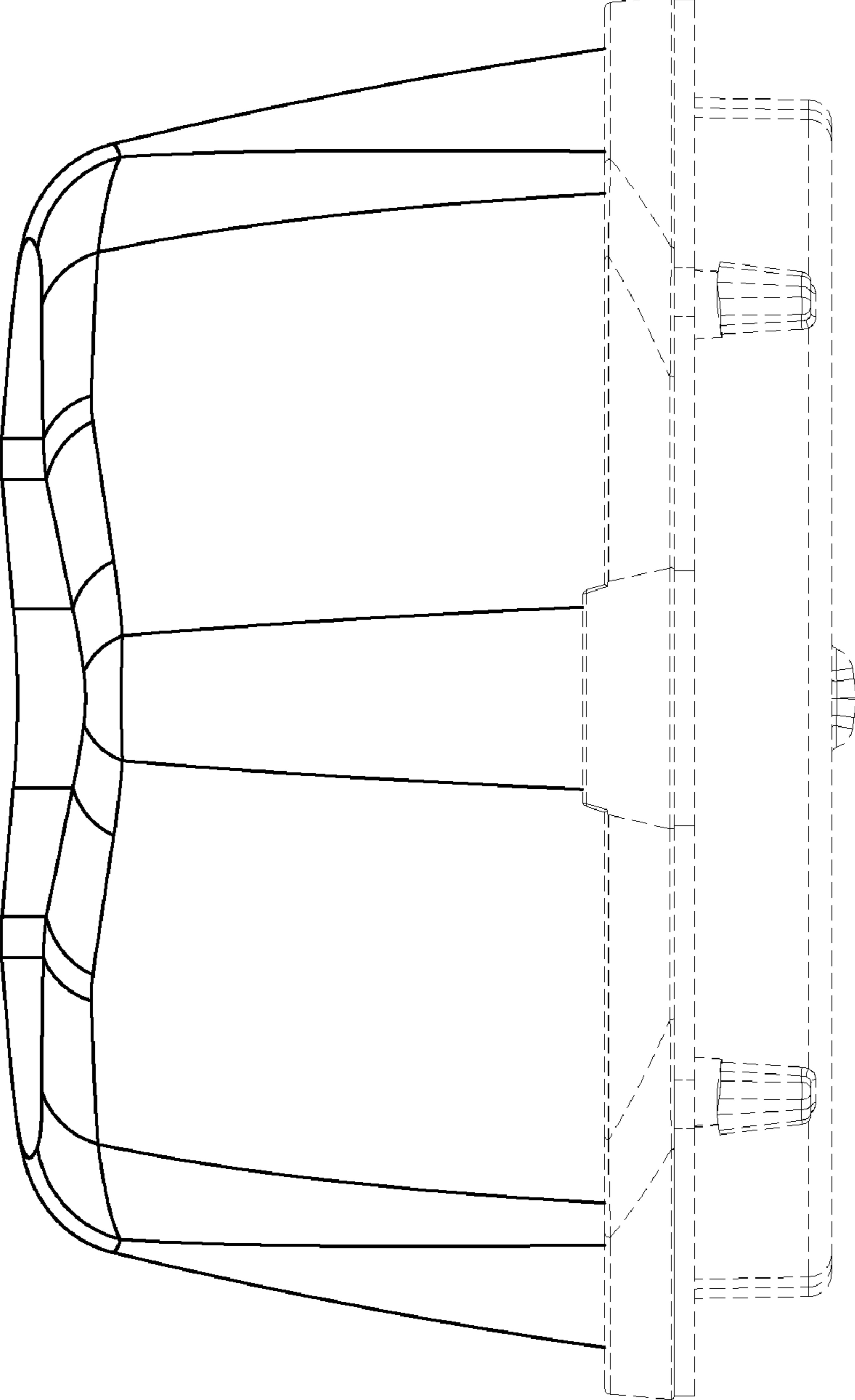


FIG. 2

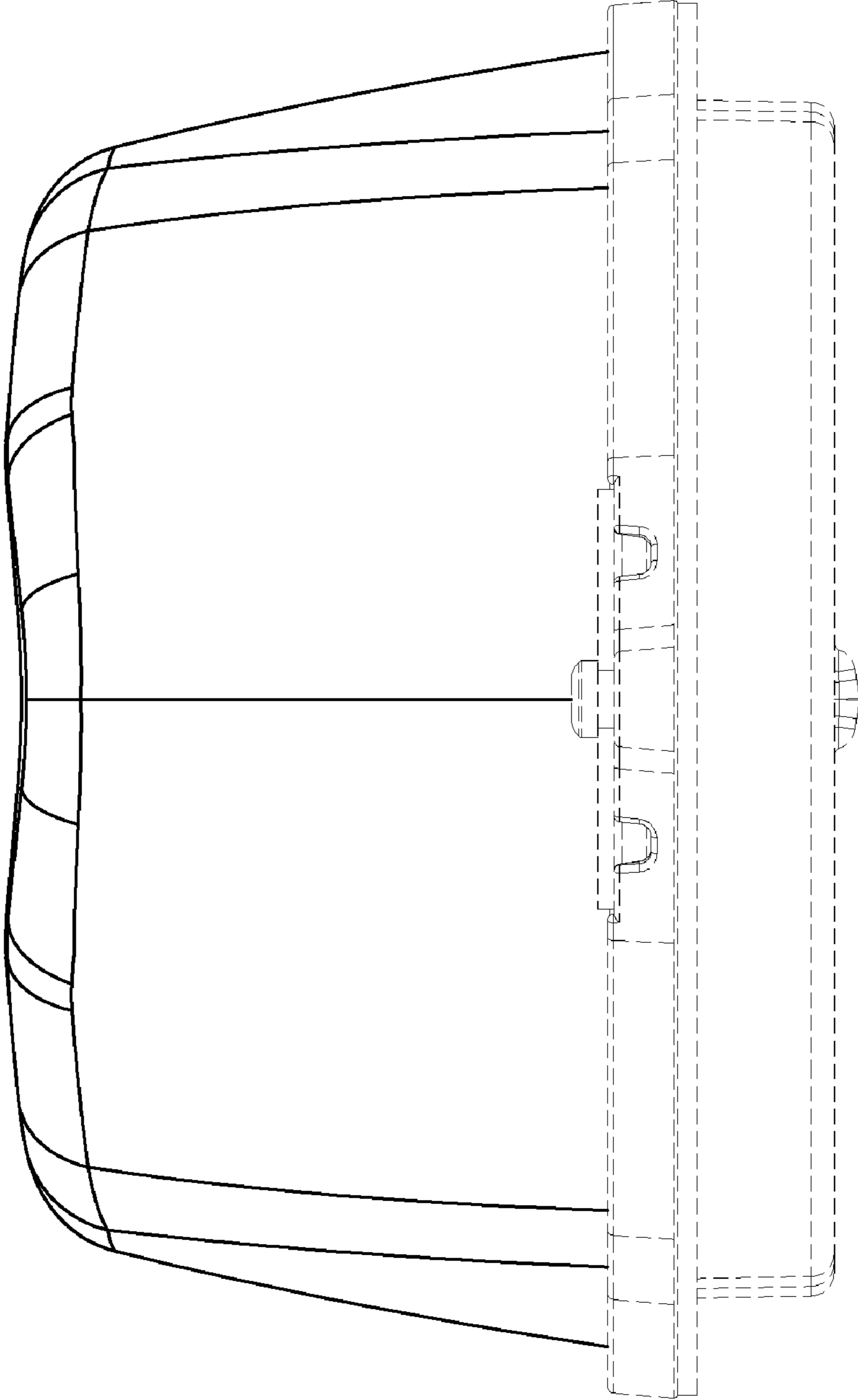


FIG. 3

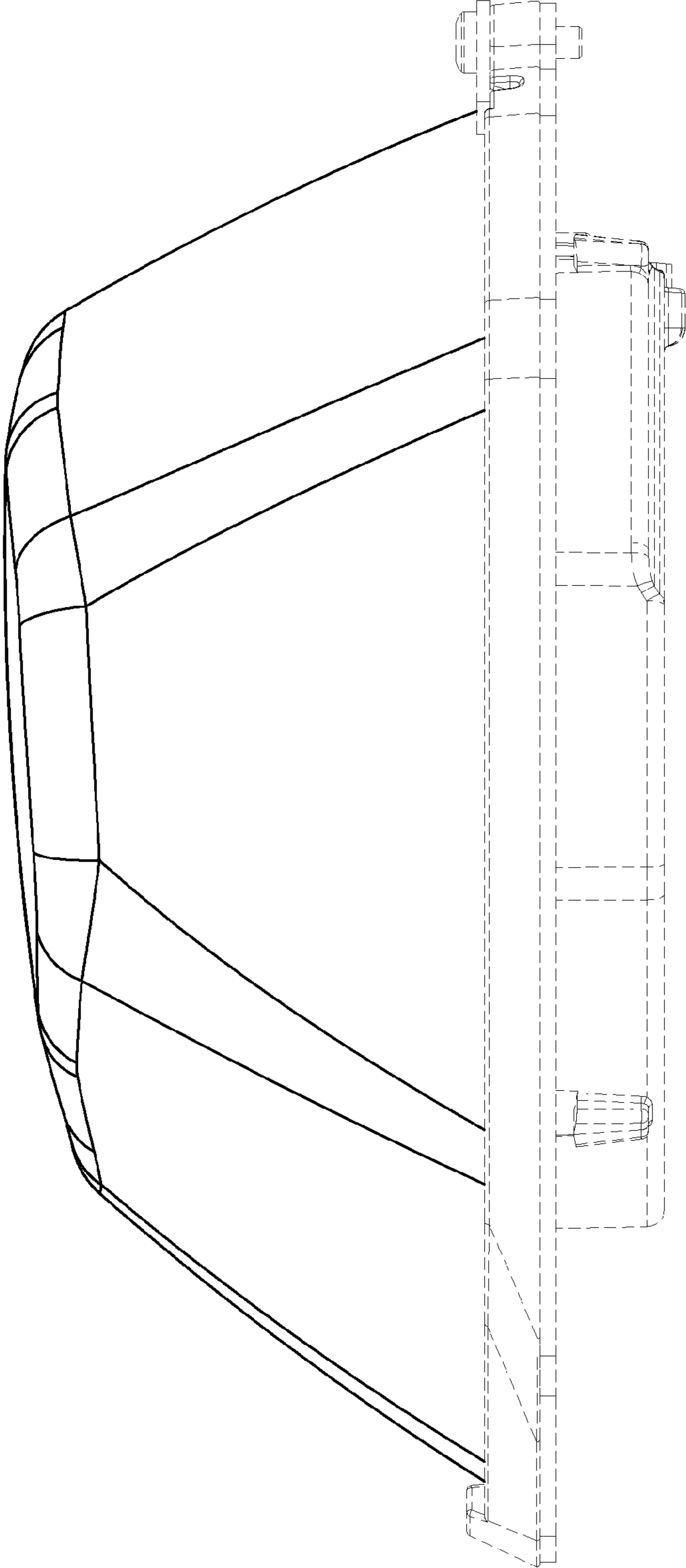


FIG. 4

FIG. 5

