



US00D639685S

(12) **United States Design Patent**
Dahlin et al.

(10) **Patent No.:** **US D639,685 S**
(45) **Date of Patent:** **** Jun. 14, 2011**

(54) **MEASURING STICK WITH SELF-LOCKING JOINT**

(75) Inventors: **Frederick R. Dahlin**, Columbia, MD (US); **Francis N. Lyons**, Preston, MD (US); **Melvin Thomas Jackson**, Baltimore, MD (US); **Edward R. Blades**, Whitmore Lake, MI (US)

(73) Assignee: **Mumser, Inc.**, Columbia, MD (US)

(**) Term: **14 Years**

(21) Appl. No.: **29/359,981**

(22) Filed: **Apr. 19, 2010**

(51) **LOC (9) Cl.** **10-04**

(52) **U.S. Cl.** **D10/70**

(58) **Field of Classification Search** D10/70;
33/2, 161, 169 R, 293–296

See application file for complete search history.

(56) **References Cited**

U.S. PATENT DOCUMENTS

987,873	A	11/1911	Grissom
2,466,205	A	4/1949	Burr
2,690,369	A	9/1954	Laskey et al.
2,854,261	A	9/1958	Spaide
3,547,054	A	12/1970	Caldwell
4,121,605	A	10/1978	Schmerl
4,131,378	A	12/1978	Daws
4,141,665	A	2/1979	Snapp, Jr.
D276,897	S	12/1984	Woods
4,638,563	A	1/1987	Buniff
4,695,025	A	9/1987	Vaughan

(Continued)

OTHER PUBLICATIONS

“Autohauler Supply—Product >> Height Stick”; <http://www.autohaulersupply.com/index.php?action=item&id=4915>; 2 pages with “Additional Product Images” included as a 3rd page, Dec. 2, 2008.

Primary Examiner — Antoine D Davis

(74) *Attorney, Agent, or Firm* — Rosenberg, Klein & Lee

(57) **CLAIM**

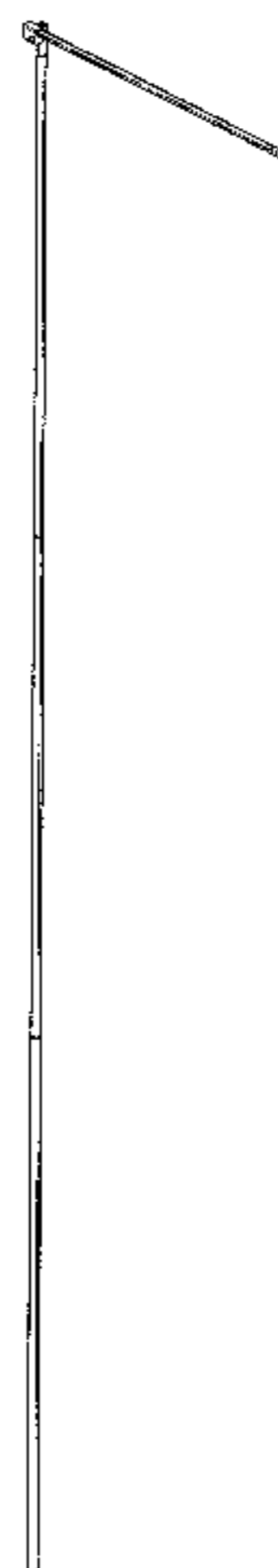
The ornamental design for a “measuring stick with self-locking joint,” as shown and described.

DESCRIPTION

FIG. 1 is a perspective view of a measuring stick with self-locking joint in an extended position showing my new design; FIG. 2 is a right side elevation view thereof; FIG. 3 is a left side elevation view thereof; FIG. 4 is a bottom plan view thereof; FIG. 5 is a top plan view thereof; FIG. 6 is front elevation view thereof; FIG. 7 is a rear elevation view thereof; FIG. 8 is an enlarged fragmentary perspective view, showing the self-locking pivotal coupling of a horizontal member; FIG. 9 is an enlarged fragmentary left side elevation view, showing the self-locking pivotal coupling of the horizontal member; FIG. 10 is an enlarged fragmentary right side elevation view, showing the self-locking pivotal coupling for the horizontal member; FIG. 11 is an enlarged fragmentary front elevation view, showing the self-locking pivotal coupling for the horizontal member; FIG. 12 is an enlarged fragmentary rear elevation view, showing the self-locking pivotal coupling for the horizontal member; FIG. 13 is an enlarged fragmentary top plan view, showing the self-locking pivotal coupling for the horizontal member; FIG. 14 is an enlarged fragmentary bottom plan view taken along the section line 14—14 in FIG. 9, showing the self-locking pivotal coupling for the horizontal member; FIG. 15 is an enlarged fragmentary elevation view thereof showing the region designated as FIG. XV in FIG. 3; FIG. 16 is an enlarged fragmentary elevation view thereof showing the region designated as FIG. XVI in FIG. 3; FIG. 17 is an enlarged fragmentary elevation view thereof showing the region designated as FIG. XVII in FIG. 3; and, FIG. 18 is an enlarged fragmentary perspective view, showing the self-locking pivotal coupling of the horizontal member in a collapsed storage position.

The broken line portion of the figure drawings is included to show unclaimed subject matter only and forms no part of the claimed design.

1 Claim, 11 Drawing Sheets



US D639,685 S

Page 2

U.S. PATENT DOCUMENTS

D320,569	S	10/1991	Goldberg	6,679,643	B1	1/2004	Ham	
5,873,175	A	2/1999	Johnston	D597,874	S	* 8/2009	Dahlin et al.	D10/70
6,102,479	A	8/2000	Wallace	D605,958	S	* 12/2009	Tartala	D10/70
6,616,367	B2	9/2003	Cheng	D616,316	S	* 5/2010	Mangan	D10/65

* cited by examiner

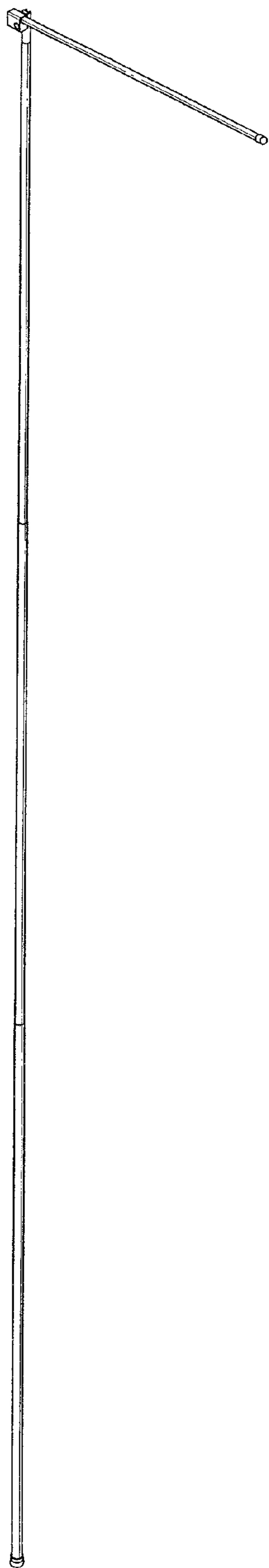


FIG. 1

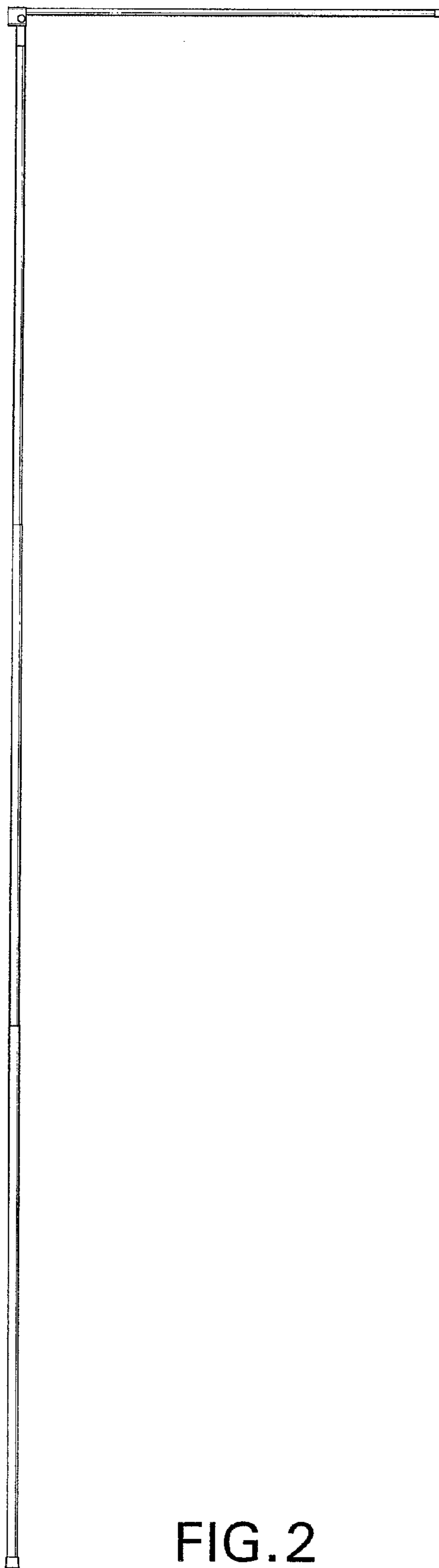


FIG. 2

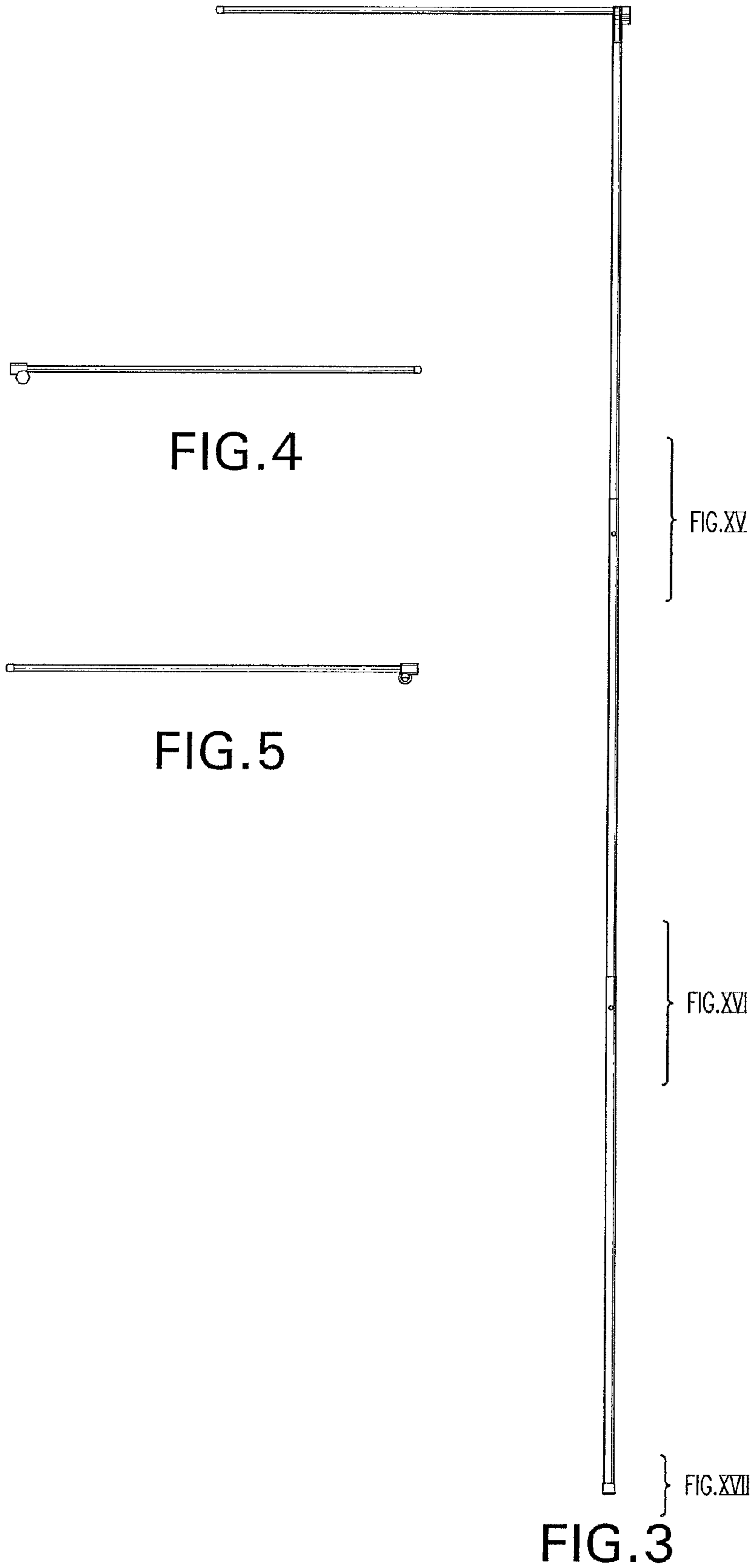




FIG. 6



FIG. 7

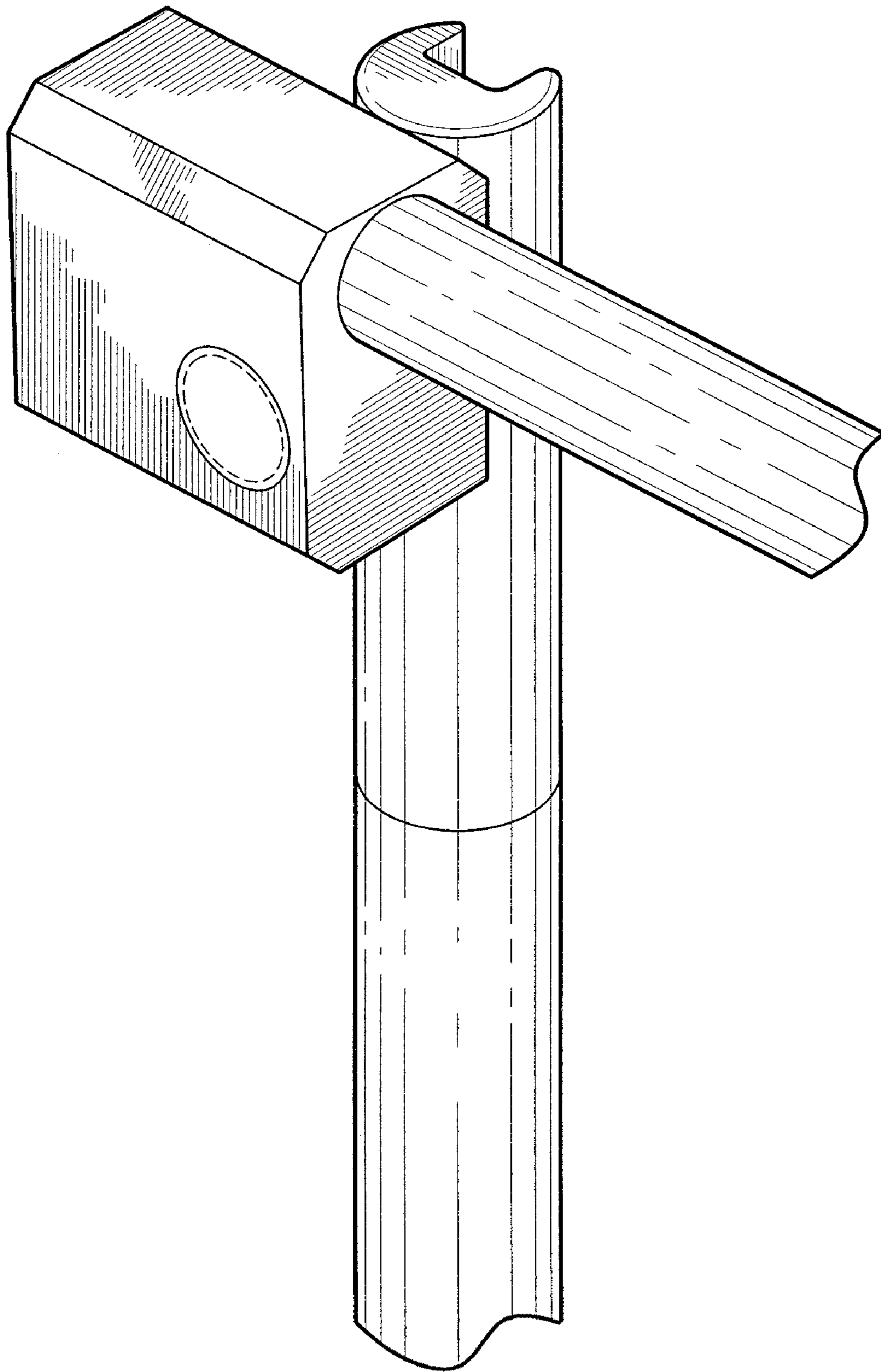


FIG. 8

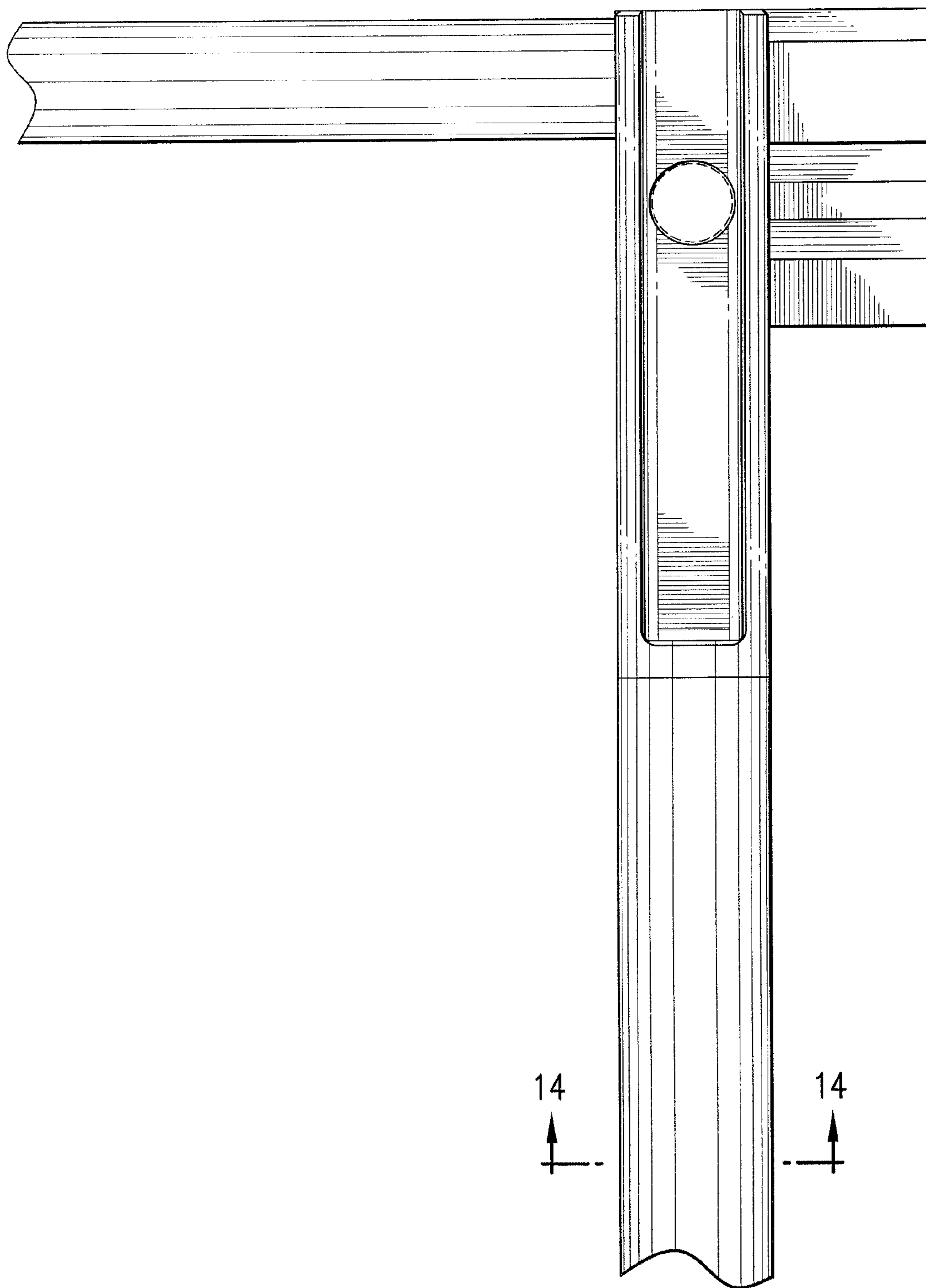


FIG. 9

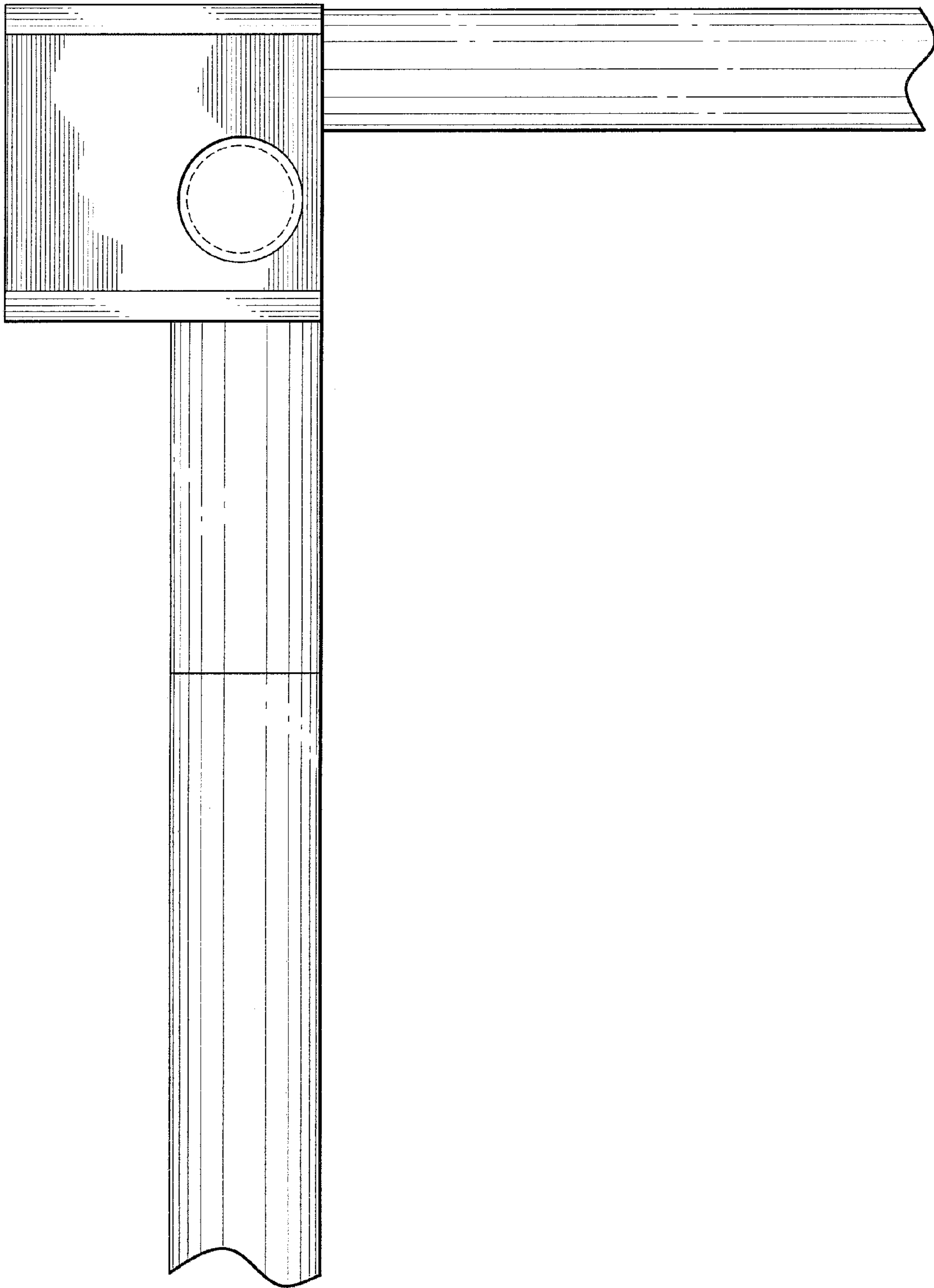


FIG. 10

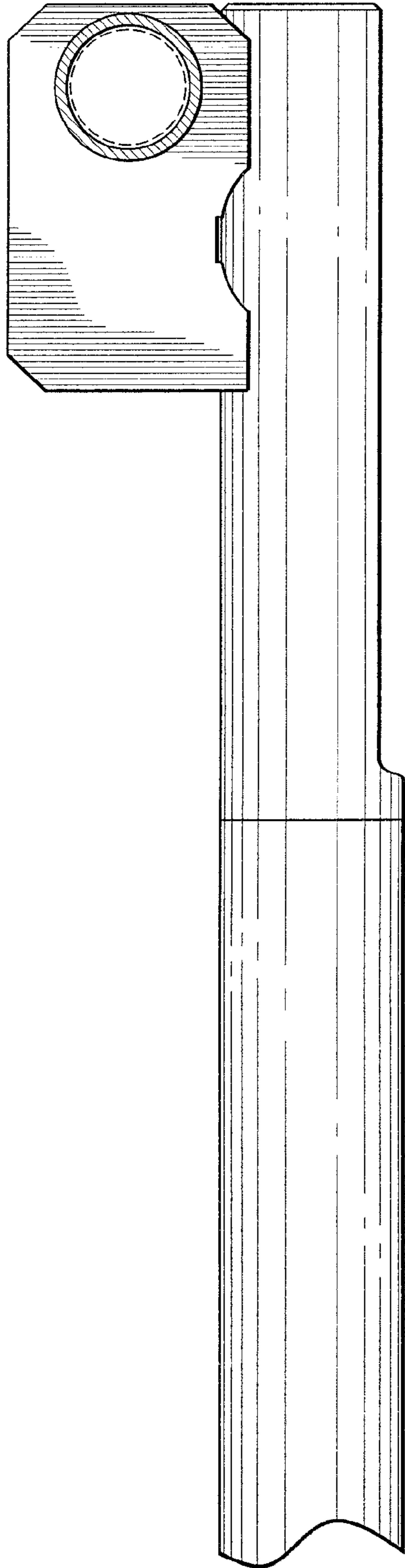


FIG. 11

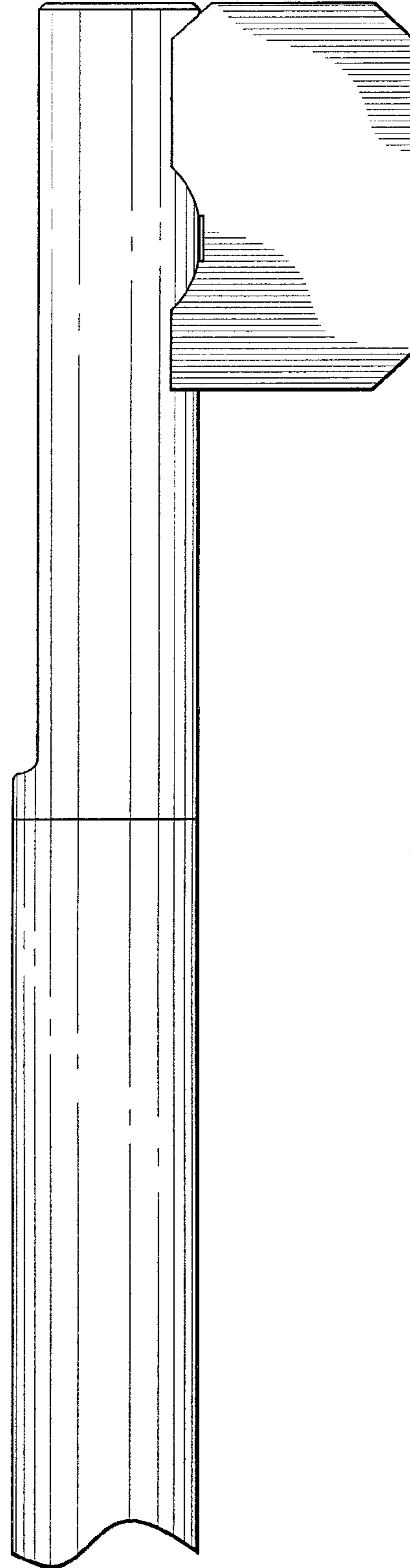


FIG. 12

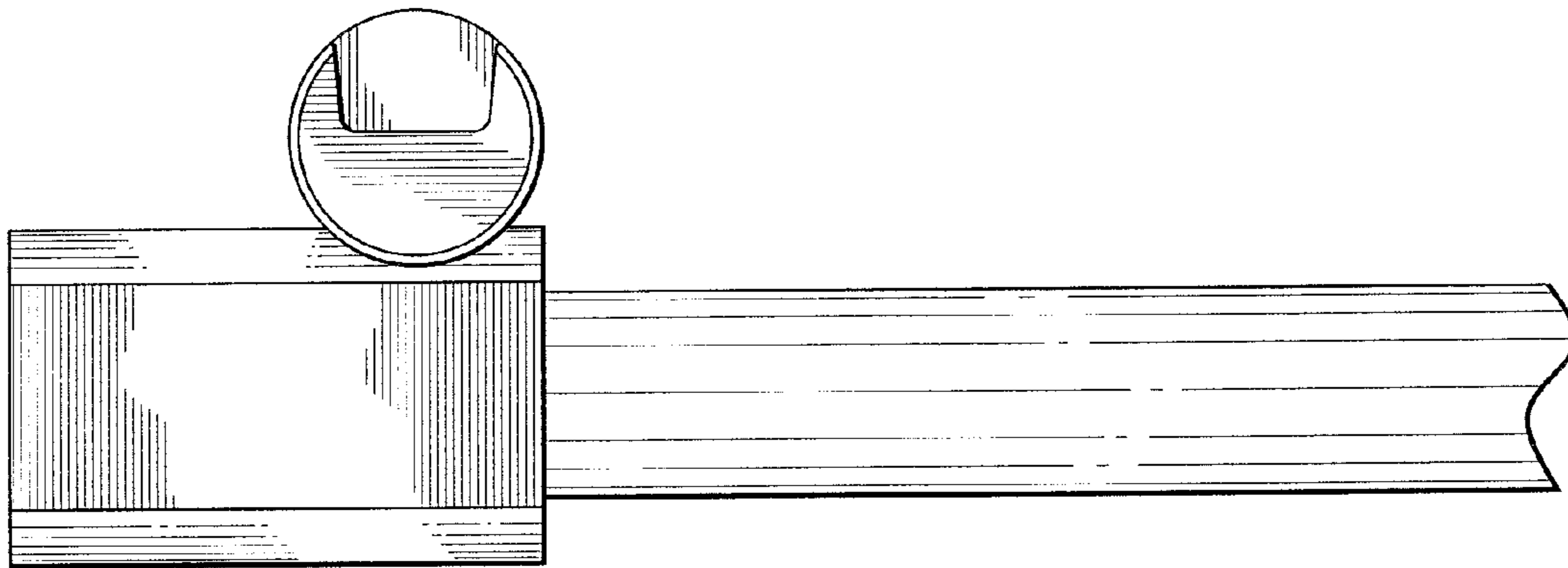


FIG. 13

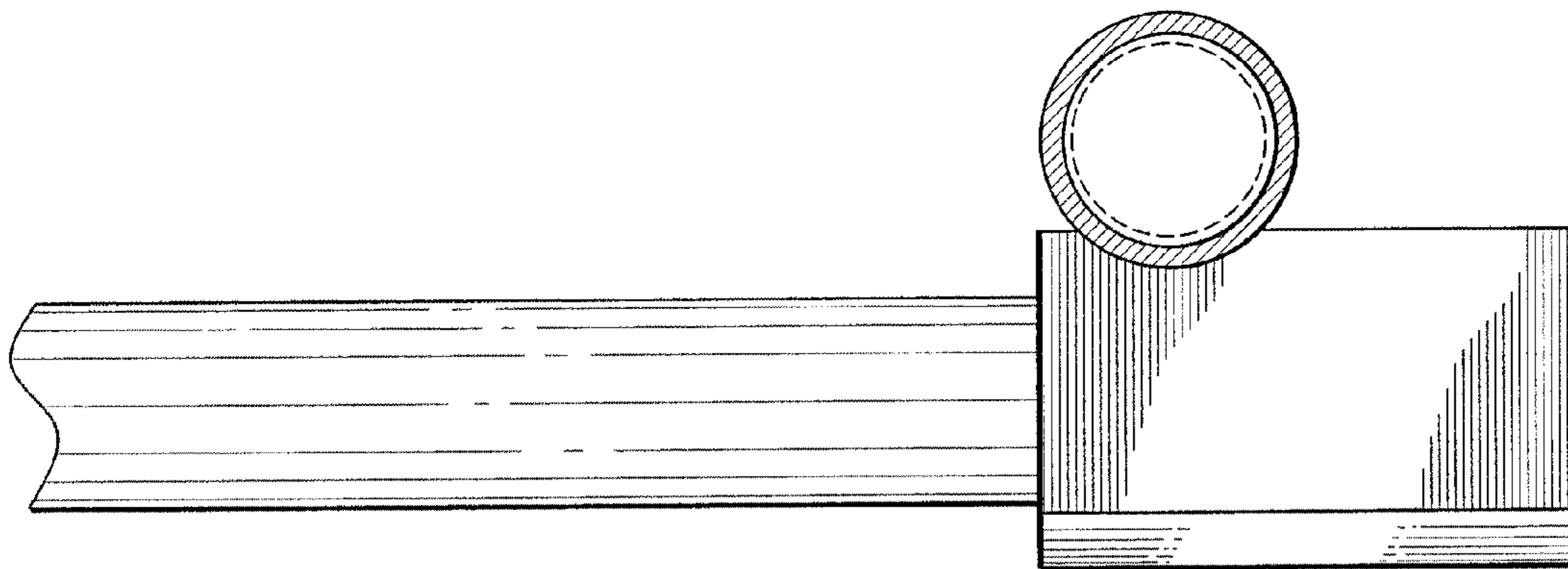


FIG. 14

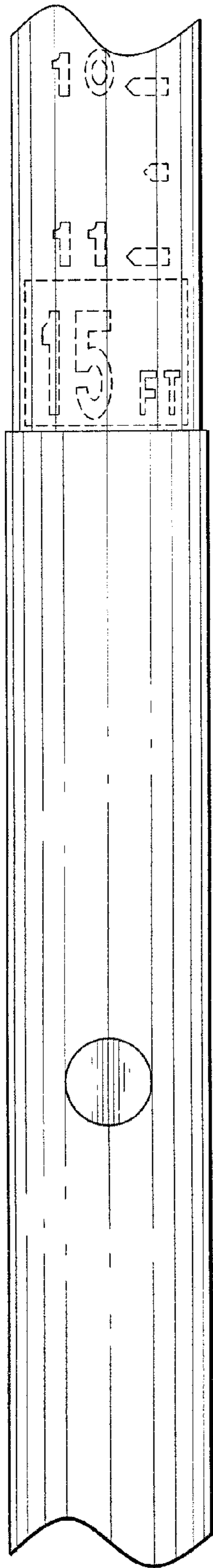


FIG. 15

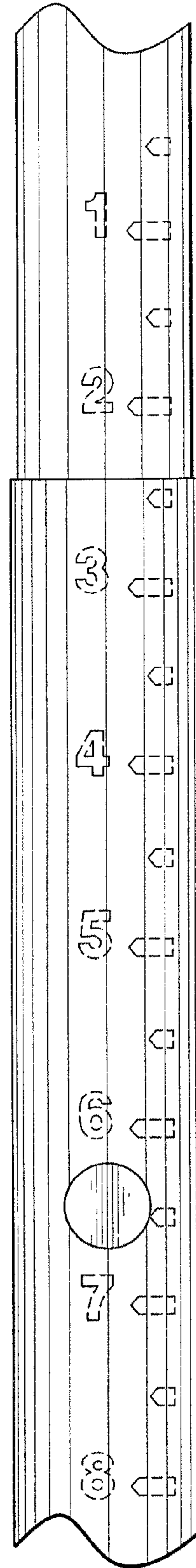


FIG. 16

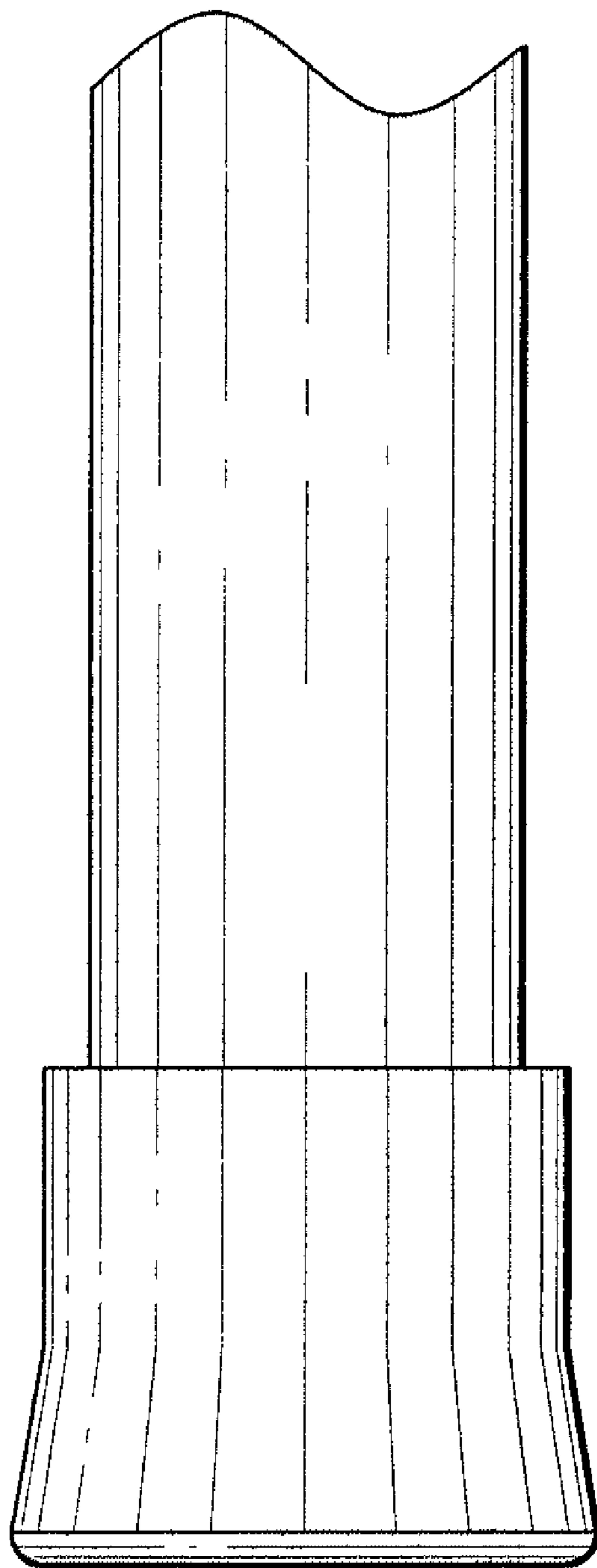


FIG. 17

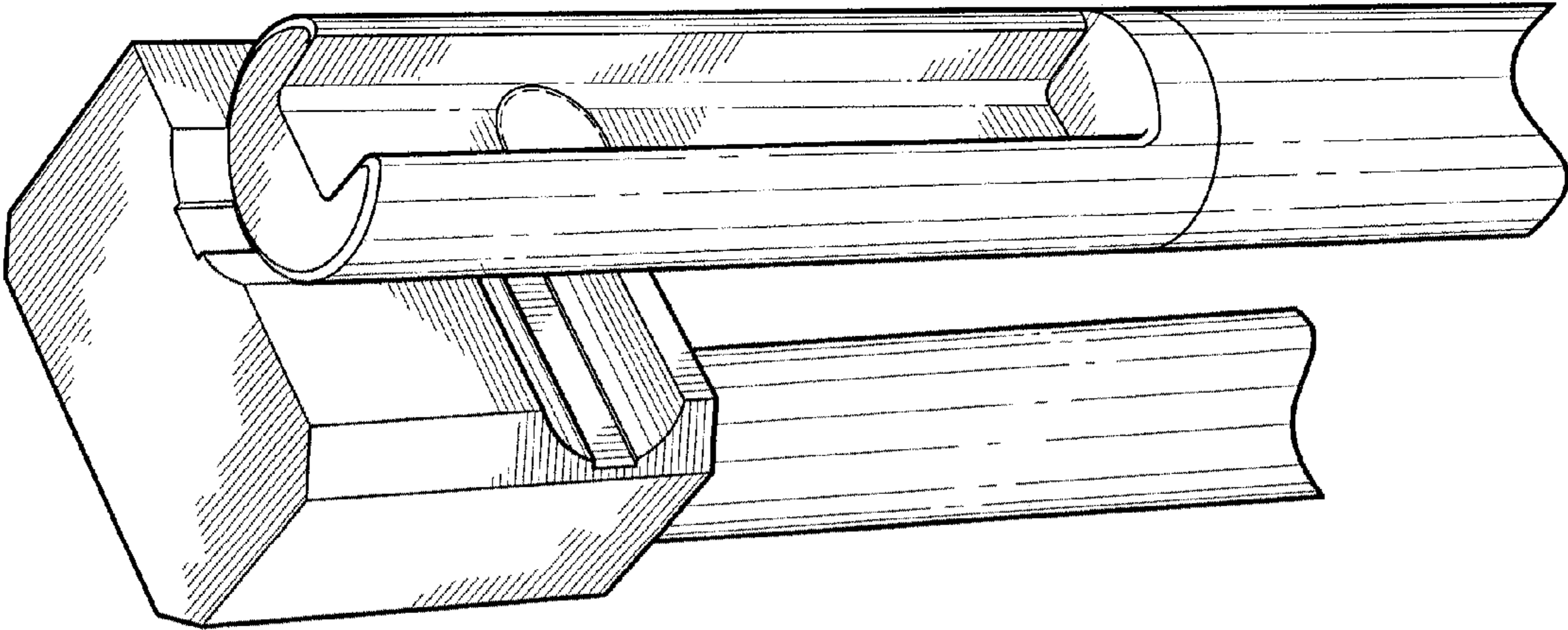


FIG. 18