



US00D639682S

(12) **United States Design Patent**  
**Kozina et al.**

(10) **Patent No.:** **US D639,682 S**  
(45) **Date of Patent:** **\*\* Jun. 14, 2011**

(54) **TEMPLATE**

(75) Inventors: **Damian A. Kozina**, Chicago, IL (US);  
**Edward D. Adkins**, Machesney Park, IL (US)

(73) Assignee: **Nomis LLC**, Hampshire, IL (US)

(\*\*) Term: **14 Years**

(21) Appl. No.: **29/383,891**

(22) Filed: **Jan. 24, 2011**

**Related U.S. Application Data**

(63) Continuation of application No. 12/821,295, filed on Jun. 23, 2010, now Pat. No. 7,896,042, which is a continuation of application No. 11/956,536, filed on Dec. 14, 2007, now Pat. No. 7,766,059.

(51) **LOC (9) Cl.** ..... **10-04**

(52) **U.S. Cl.** ..... **D10/64**

(58) **Field of Classification Search** ..... D10/64,  
D10/65; 33/194, 197, 562-566; 144/144.1,  
144/345, 372, 83; 408/1 R, 103, 115 R  
See application file for complete search history.

(56) **References Cited**

**U.S. PATENT DOCUMENTS**

|           |     |         |                 |            |
|-----------|-----|---------|-----------------|------------|
| 3,519,043 | A   | 7/1970  | Guill           |            |
| 3,789,892 | A * | 2/1974  | Converse et al. | 144/144.51 |
| 3,987,712 | A * | 10/1976 | Croteau         | 144/144.51 |
| D242,903  | S * | 1/1977  | Benoit          | D10/64     |
| D242,904  | S * | 1/1977  | Benoit          | D10/64     |
| 4,274,459 | A   | 6/1981  | Galajda         |            |
| 5,042,543 | A   | 8/1991  | Carey           |            |
| D395,246  | S   | 6/1998  | Carey           |            |
| 5,762,115 | A   | 6/1998  | Shouse          |            |
| 5,862,848 | A   | 1/1999  | Beall           |            |
| 6,926,477 | B2  | 8/2005  | Allemann et al. |            |
| 7,020,975 | B2  | 4/2006  | Ernst et al.    |            |
| 7,766,059 | B2  | 8/2010  | Kozina et al.   |            |

|              |    |         |               |
|--------------|----|---------|---------------|
| 7,896,042    | B2 | 3/2011  | Kozina et al. |
| 2006/0272166 | A1 | 12/2006 | Adkins et al. |
| 2009/0155009 | A1 | 6/2009  | Kozina et al. |
| 2010/0314003 | A1 | 12/2010 | Kozina et al. |

**FOREIGN PATENT DOCUMENTS**

|    |           |    |         |
|----|-----------|----|---------|
| EP | 0 511 898 | A2 | 11/1992 |
| GB | 2 285 410 | A  | 7/1995  |

**OTHER PUBLICATIONS**

Lee Valley, A. Hinge Mate B. Hinge Mortising System, page from catalog, date unknown, 1 page; Known to Applicant on or before Dec. 13, 2007.  
McFeelys, HingeMate for Woodworkers-from McFeely's, website, date last visited Mar. 22, 2005, 1 page, <http://www.mcfeelys.com/product.asp?ProductID=hm-1100w>.

(Continued)

*Primary Examiner* — Antoine D Davis

(74) *Attorney, Agent, or Firm* — Reinhart Boerner Van Deuren P.C.

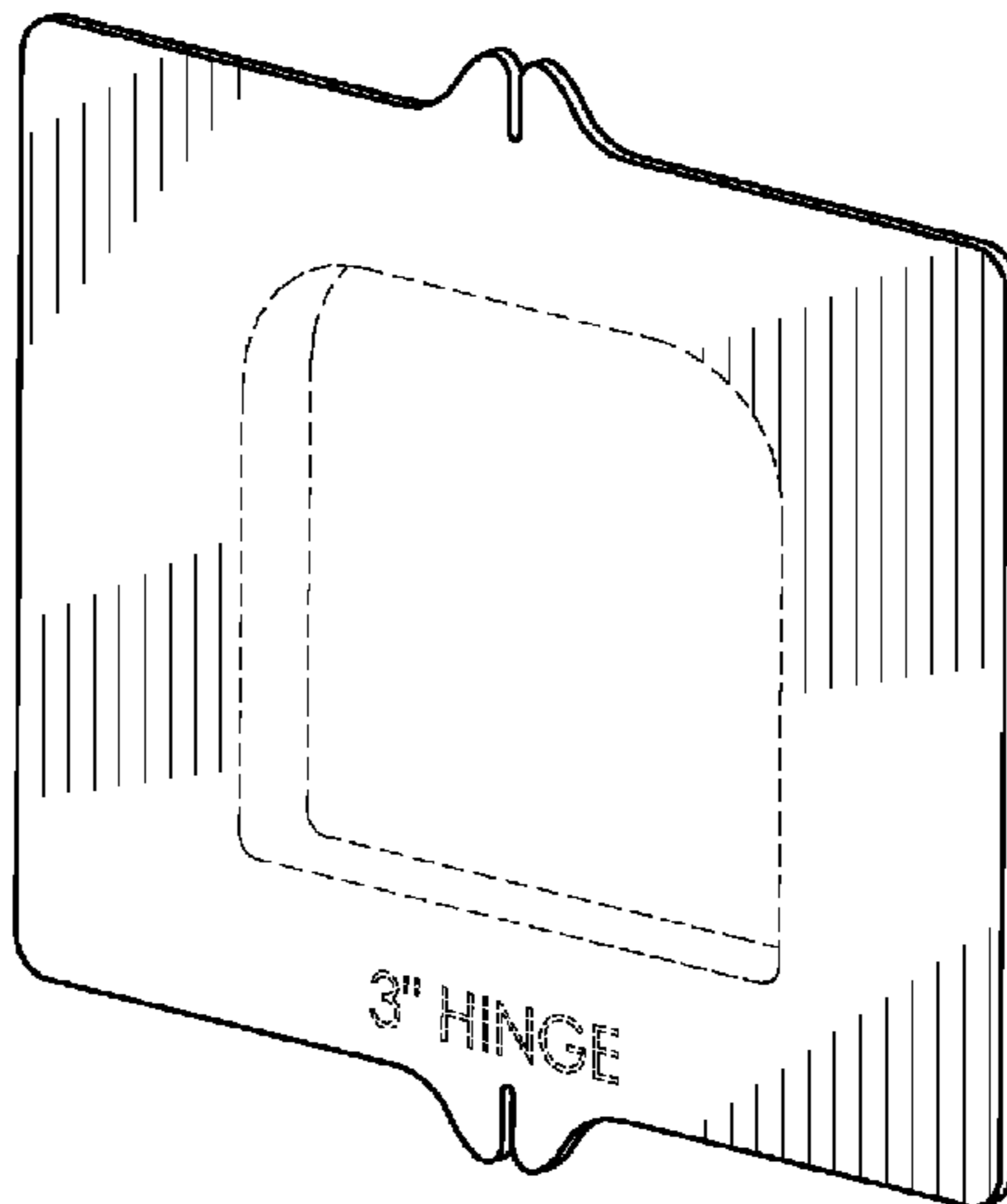
(57) **CLAIM**

We claim the ornamental design for the template, as shown and described.

**DESCRIPTION**

FIG. 1 is a top perspective view of the template;  
FIG. 2 is a top view thereof;  
FIG. 3 is a bottom view thereof;  
FIG. 4 is a left side view thereof;  
FIG. 5 is a right view thereof, being identical to the left side view;  
FIG. 6 is a front view thereof; and,  
FIG. 7 is a rear view thereof, being identical to the front view; wherein the elements in any of the FIGS. in dashed lines form no part of the claimed design.

**1 Claim, 3 Drawing Sheets**



OTHER PUBLICATIONS

Milescraft, HingeMortise Guide Set, product manual, date unknown, 2 pages, pp. 1 and 2; Known to Applicant on or before Dec. 13, 2007.  
Norfield, Door & Jamb Tools, page from catalog, date unknown, 1 page, p. 10; Known to Applicant on or before Dec. 13, 2007.  
Norfield, Door Tools for Door Pros, 2007 Winter Catalog, 2007, 32 pages.  
Porter Cable, Hinge Butt Templet 59380 59381, Parts List, 1999, 1 page, Parts List No. 692548-996.  
Porter-Cable 59370 Door Hinge Template-Jewishbookmall.com Info and Reviews, Porter-Cable 59370 Door Hinge Template, website, date last visited Mar. 22, 2005, 3 pages, [http://www.jewishbookmall.com/shop/asinsearch\\_B00004T130.html](http://www.jewishbookmall.com/shop/asinsearch_B00004T130.html).  
Porter-Cable 59375 Strike and Latch Template-Jewishbookmall.com Info and Reviews, Porter-Cable 59375 Strike and Latch Template, website, date last visited Mar. 22, 2005, 2 pages, [http://www.jewishbookmall.com/shop/asinsearch\\_B00004T13P.html](http://www.jewishbookmall.com/shop/asinsearch_B00004T13P.html).  
Rockler.com, Jigs and Rockier JIG IT'S, website, date last visited Mar. 22, 2005, 5 pages, <http://www.rockler.com/findit.cfm?cookietest=1&page=22908sid=AF657>.

Sears Craftsman, Butt Hinge Template Model 2564, product manual, date unknown, 4 pages; Known to Applicant on or before Dec. 13, 2007.

The Beall Tool Company, The Beall Hinge Wizard, website, date last visited Mar. 22, 2005, 2 pages, <http://www.bealltool.com/hingewiz.htm>.

Toolfetch, Door Hanging Tools: Bosch 83003 Door & Jamb Hinge Templet Kit, website, date last visited Mar. 22, 2005, 1 page, [http://www.toolfetch.com/tools//flypage\\_masonry2.html?mv\\_arg=83003](http://www.toolfetch.com/tools//flypage_masonry2.html?mv_arg=83003).

Toolfetch, Door Hanging Tools: Bosch 83038 Deluxe Door and Jamb Hinge Templet Kit, website, date last visited Mar. 22, 2005, 2 pages, [http://www.toolfetch.com/tools//flypage\\_masonry2.html?id=d3Es7s3w&mx\\_arg=83038](http://www.toolfetch.com/tools//flypage_masonry2.html?id=d3Es7s3w&mx_arg=83038).

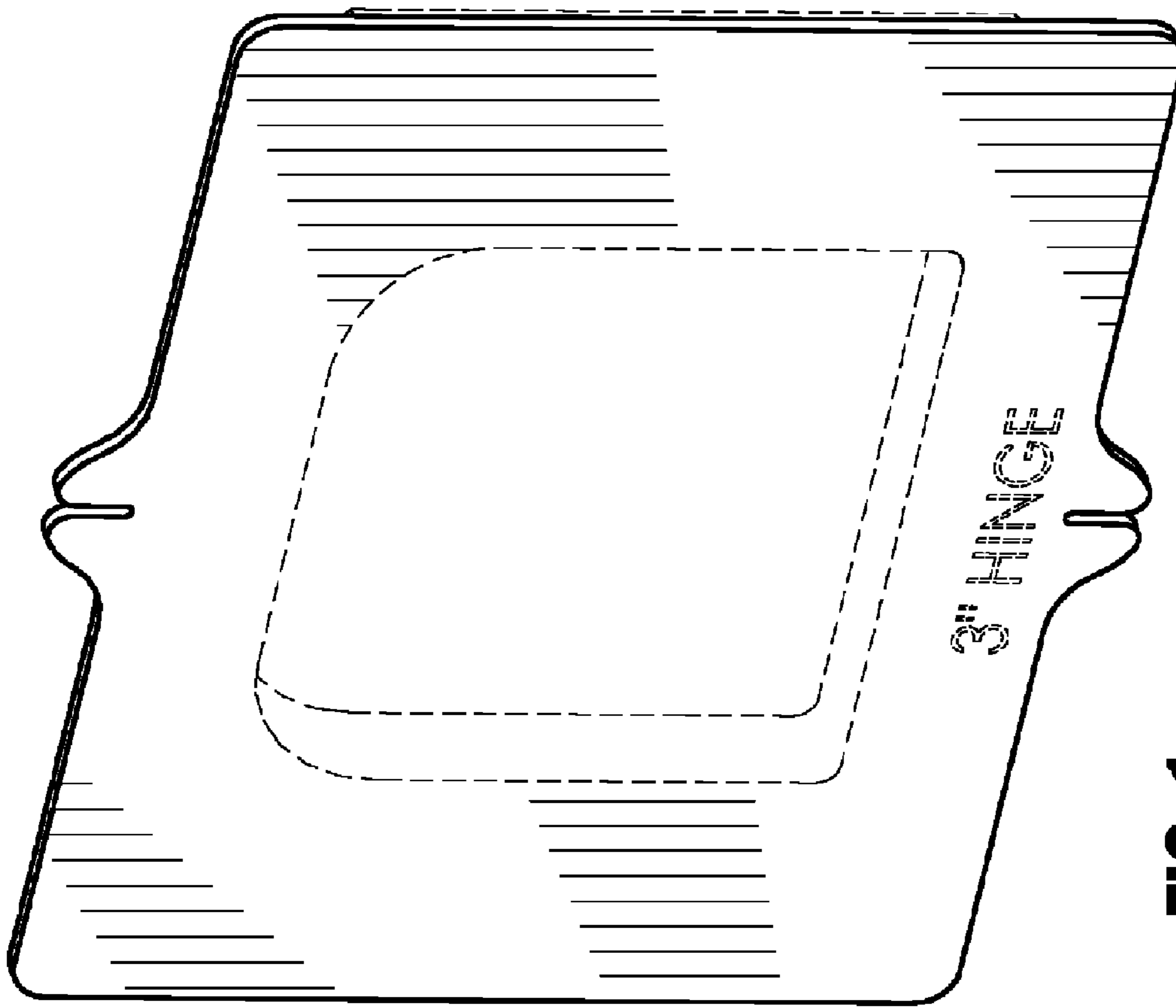
Trend Machinery, Routing Jigs & Accessories, pages from catalog, date unknown, 2 pages; Known to Applicant on or before Dec. 13, 2007.

Woodcraft, Router Accessories, page from catalog, date unknown, 1 page, p. 34; Known to Applicant on or before Dec. 13, 2007.

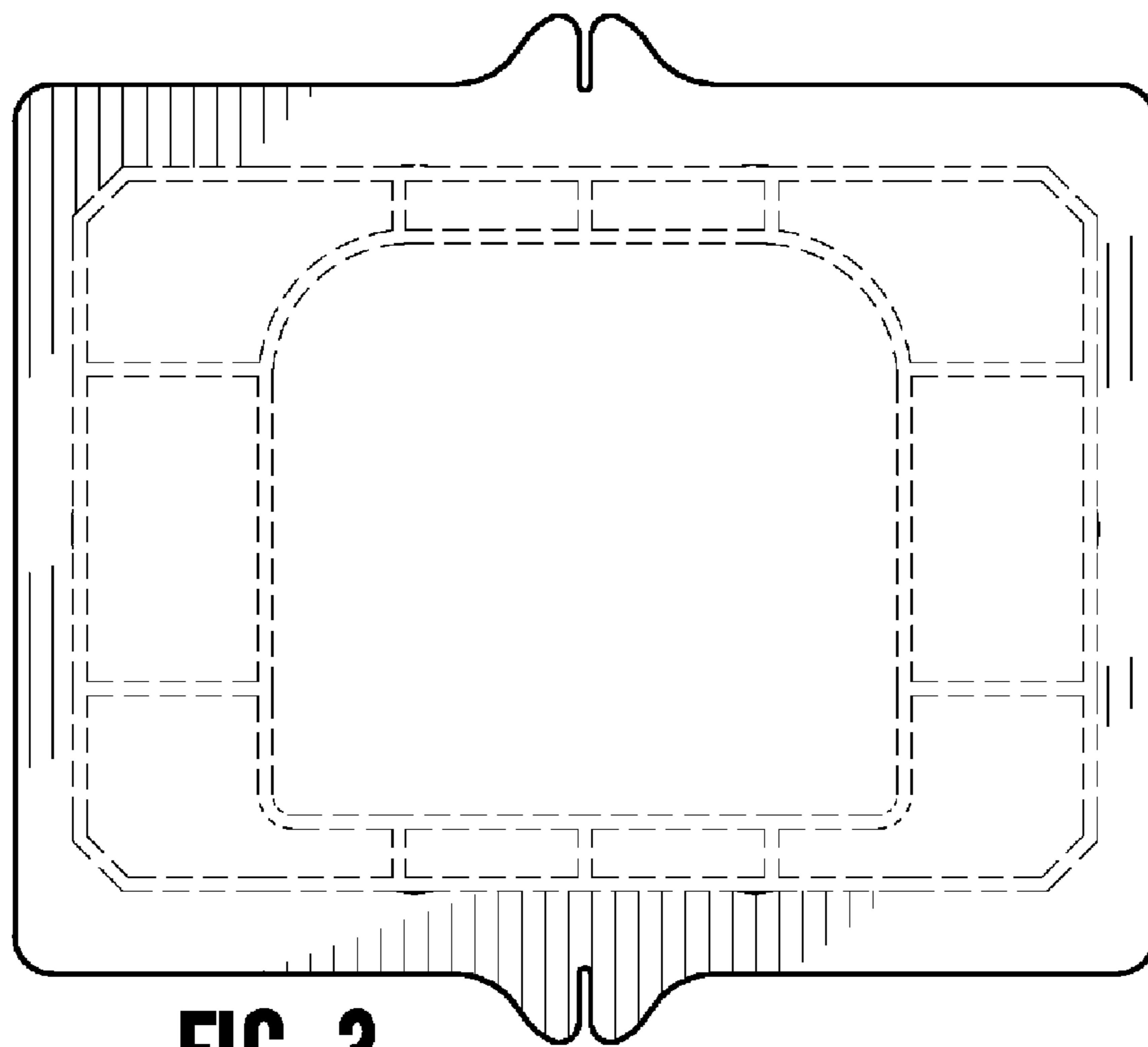
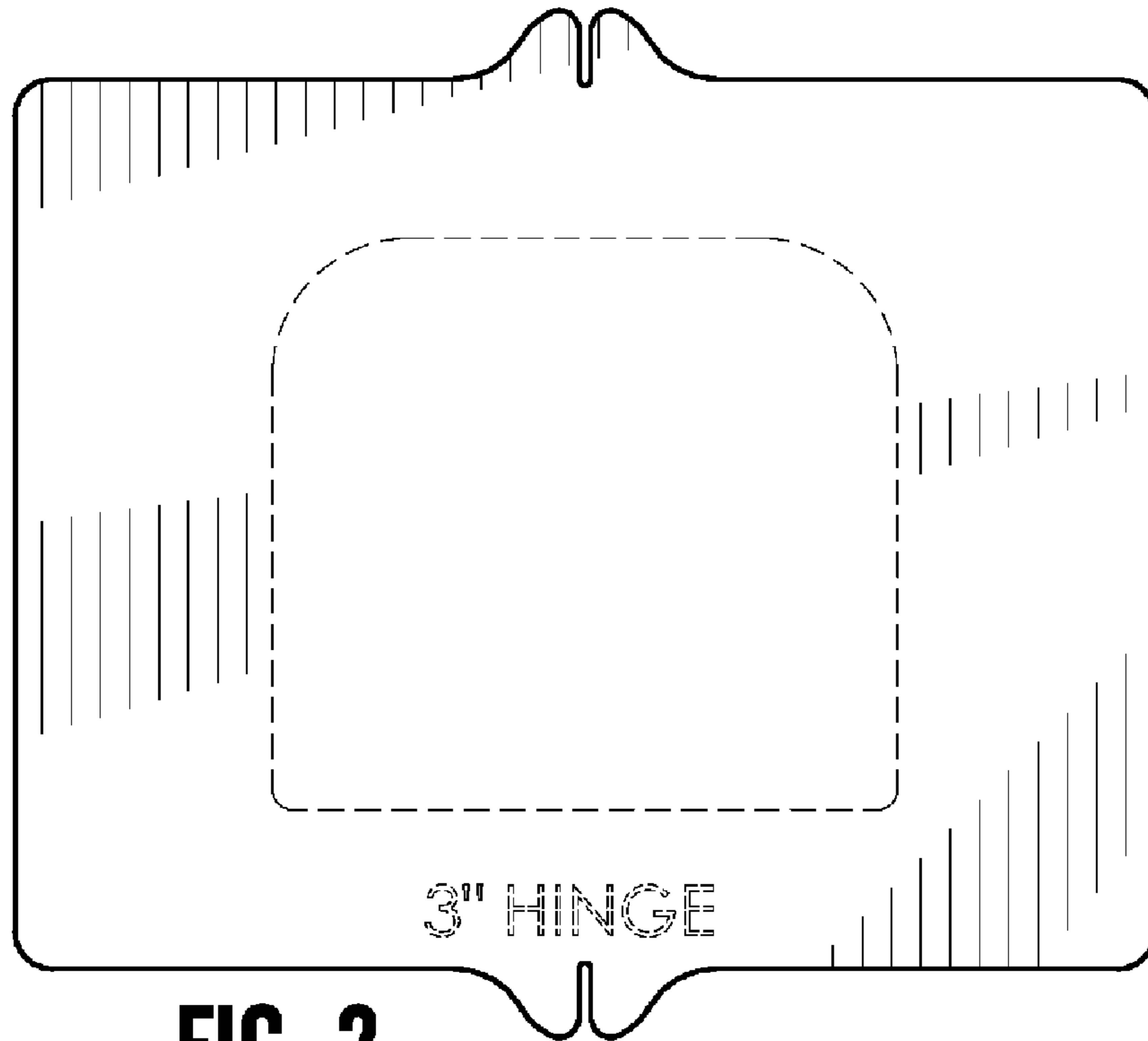
Woodhaven, Unique Tools, page from catalog, date unknown, 1 page, p. 24; Known to Applicant on or before Dec. 13, 2007.

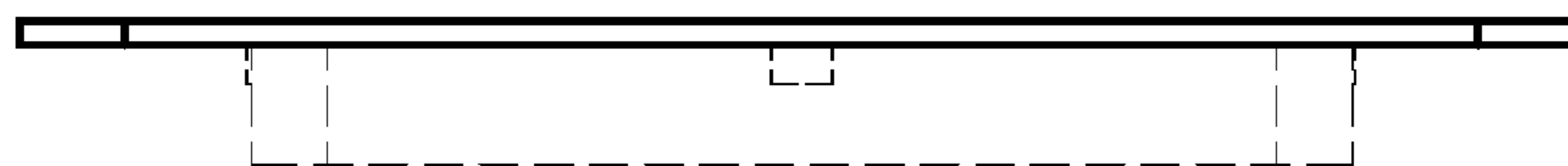
U.S. Appl. No. 29/383,894, filed Jan. 24, 2011, Kozina et al.

\* cited by examiner

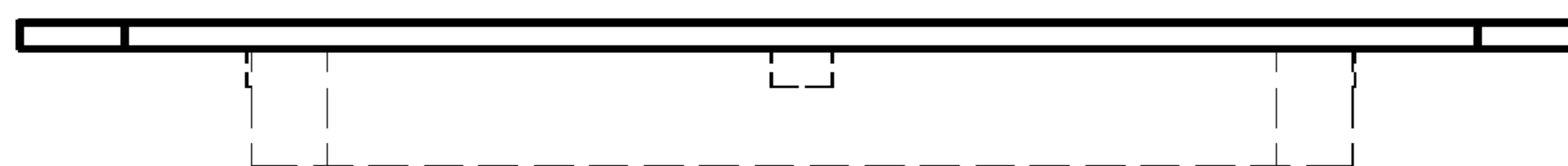


**FIG. 1**





**FIG. 4**



**FIG. 5**



**FIG. 6**



**FIG. 7**