

US00D639681S

(12) **United States Design Patent**
Rodriguez et al.

(10) **Patent No.:** **US D639,681 S**
(45) **Date of Patent:** **** Jun. 14, 2011**

(54) **TABLETOP BUTTON PAD CONTROLLER**

(75) Inventors: **Osbaldo Rodriguez**, Huntington Beach, CA (US); **Jonathan Ofalla**, Rosemead, CA (US); **Rob Chaloupecky**, Apex, NC (US); **Tuan Tran**, Irvine, CA (US)

(73) Assignee: **RGB Systems, Inc.**, Anaheim, CA (US)

(**) Term: **14 Years**

(21) Appl. No.: **29/347,708**

(22) Filed: **Apr. 16, 2010**

(51) **LOC (9) Cl.** **10-04**

(52) **U.S. Cl.** **D10/49**

(58) **Field of Classification Search** D10/48, D10/49, 99-103; D13/162; 55/270, 274, 55/279, DIG. 7, 34; 62/176.6, 125-130, 62/78, 180, 186; 73/23.2, 23.34, 31.01, 31.02, 73/431, 170.16-170.19, 170.21-170.25, 73/863.12, 29, 29.02, 335.01-335.14; 236/46 R, 236/47, 94, 44 C, 44 R, 49.3, 44 A, 96; 337/112, 337/327, 360; 340/602, 627, 632, 634; 361/346; 364/141, 146, 147, 188, 420, 557; 454/229, 454/239, 256, 257, 258; 700/18, 159, 181

See application file for complete search history.

(56) **References Cited**

U.S. PATENT DOCUMENTS

D353,363 S	12/1994	Toby	
D421,399 S *	3/2000	Bennett et al.	D10/49
D421,961 S	3/2000	Müller	
D431,199 S *	9/2000	Bennett et al.	D10/49
D437,827 S	2/2001	Gershfeld	
D457,137 S	5/2002	Gershfeld	
D460,736 S	7/2002	Pincek	
6,457,802 B2 *	10/2002	Jackson	347/35
D465,201 S	11/2002	Gershfeld	
6,525,667 B1 *	2/2003	Fujita et al.	340/815.4
D473,525 S	4/2003	Pincek	

D513,493 S	1/2006	Feldstein	
D528,444 S *	9/2006	Horie et al.	D10/49
D559,710 S *	1/2008	Jacoby et al.	D10/49
D579,796 S *	11/2008	Schmid et al.	D10/49
D579,797 S *	11/2008	Schmid et al.	D10/49

OTHER PUBLICATIONS

Niles, Intellipad Ci IR Solo, disclosed to the public on or about May 27, 2003, http://www.nilesaudio.com/images/legacy/Solo_ir_specsheet.pdf.

SP Controls, PixiePro, disclosed to the public on or about Aug. 13, 2005, <http://www.spcontrols.com/prodcat.php?hierId=34>.

Xantech, MRC44KP Keypad, disclosed to the public on or about Sep. 4, 2001, <http://www.xantech.com/Controls/KeypadsRemotes/MultiRoomKeypads/MRC44KP/>.

* cited by examiner

Primary Examiner — Antoine D Davis

(74) *Attorney, Agent, or Firm* — Jacobson Holman PLLC

(57) **CLAIM**

The ornamental design for the a tabletop button pad controller, as shown and described.

DESCRIPTION

FIG. 1 is a front perspective view of the tabletop button pad controller with the button pad controller in open position

FIG. 2 is a front perspective of the tabletop pad controller with the button pad controller in closed position;

FIG. 3 is a top plan view of FIG. 2;

FIG. 4 is a top plan view of FIG. 1;

FIG. 5 is a left side view of FIG. 1;

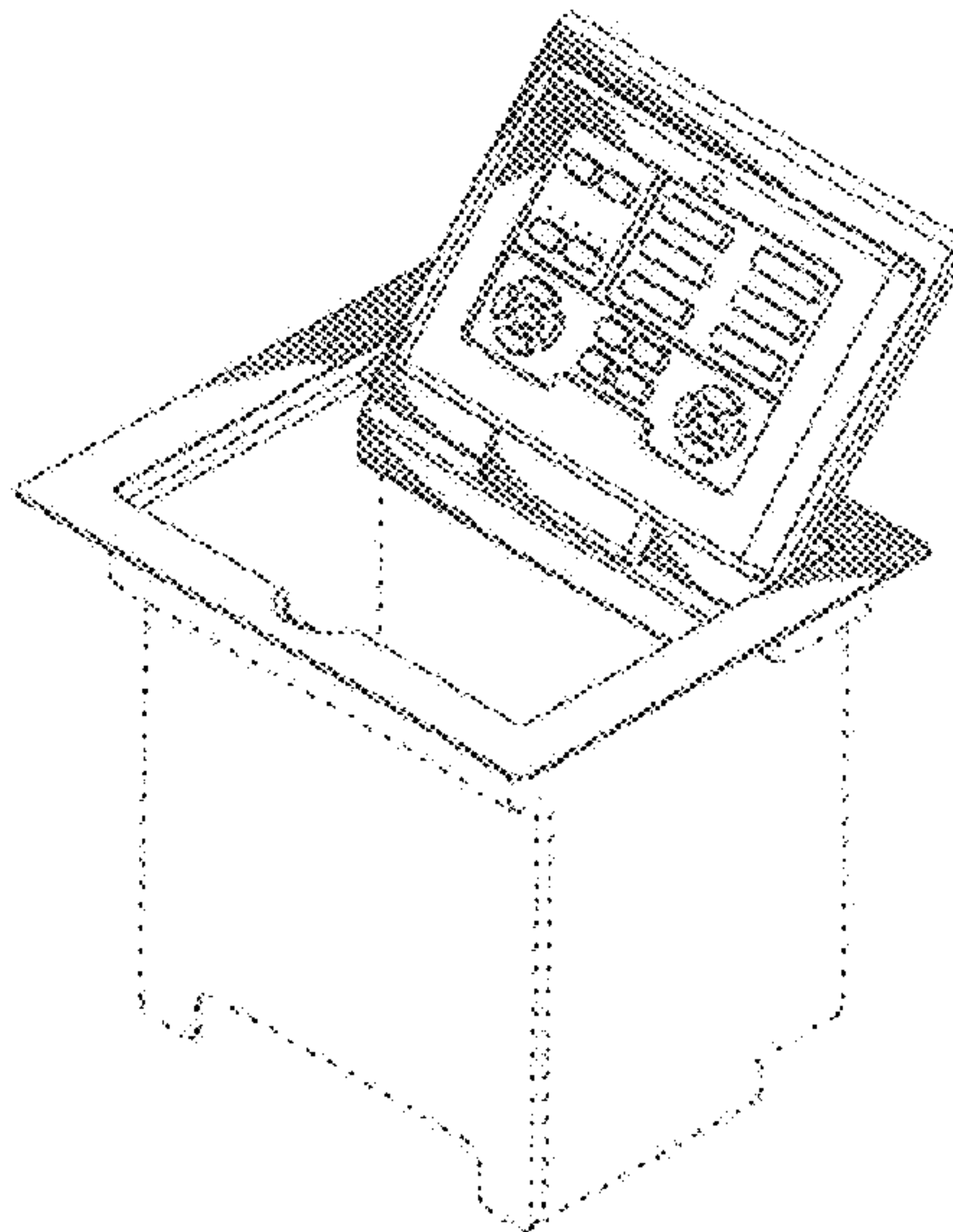
FIG. 6 is a right side view of FIG. 1;

FIG. 7 is a front elevational view of FIG. 1; and,

FIG. 8 is a front elevational view of FIG. 2.

The broken lines are not part of the claimed design but show the environment in which the design is associated.

1 Claim, 8 Drawing Sheets



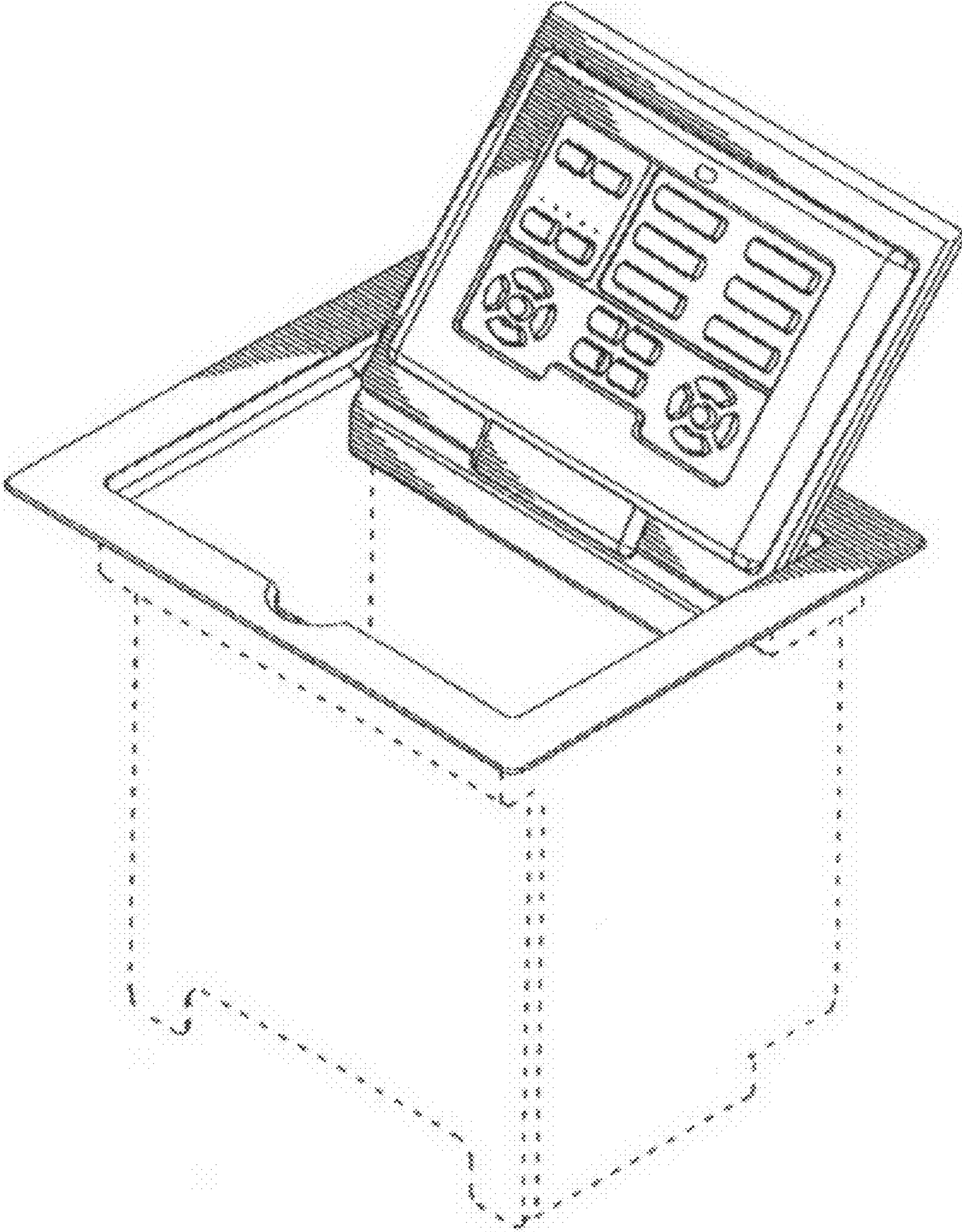


FIG. 1

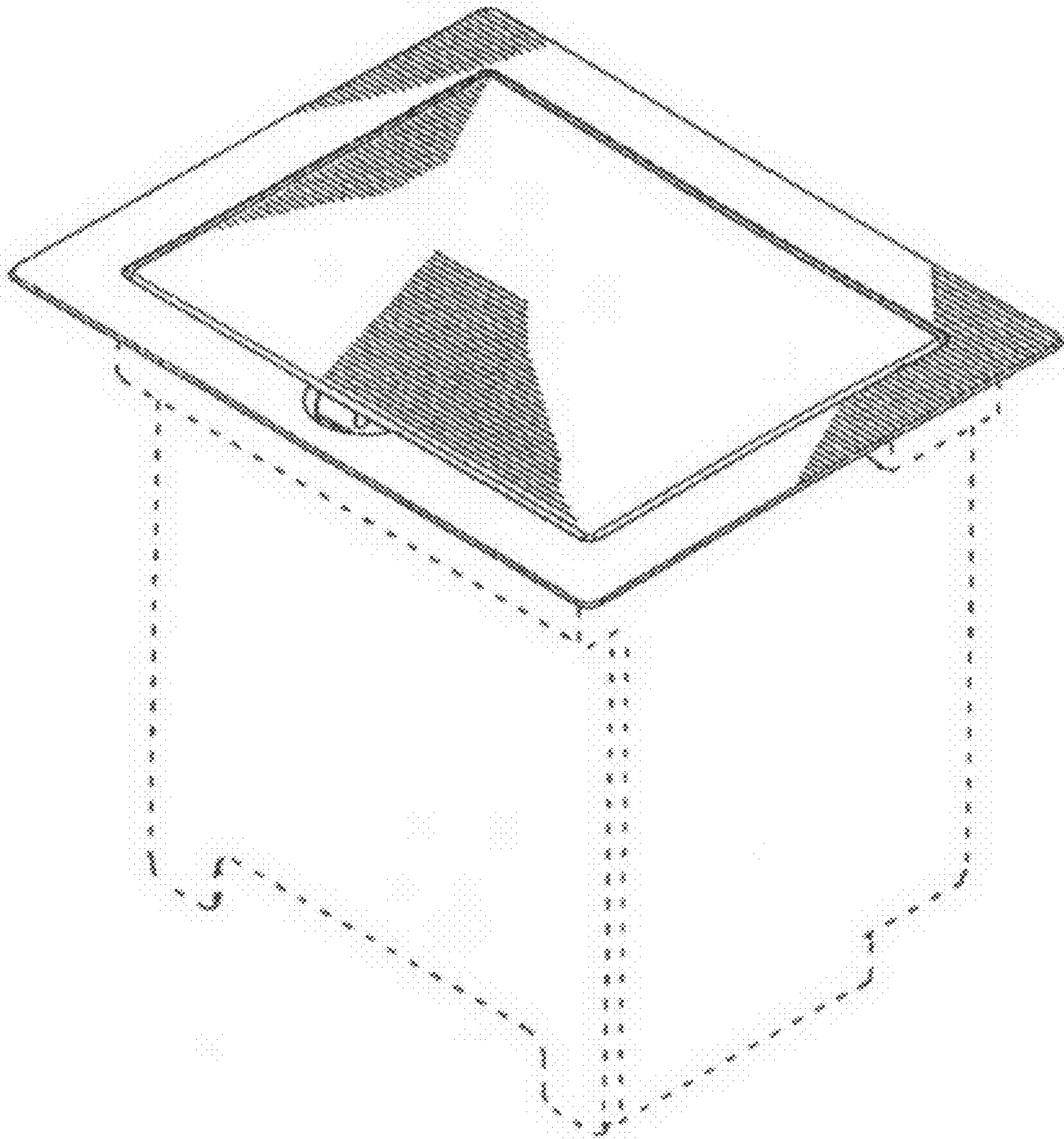


FIG.2

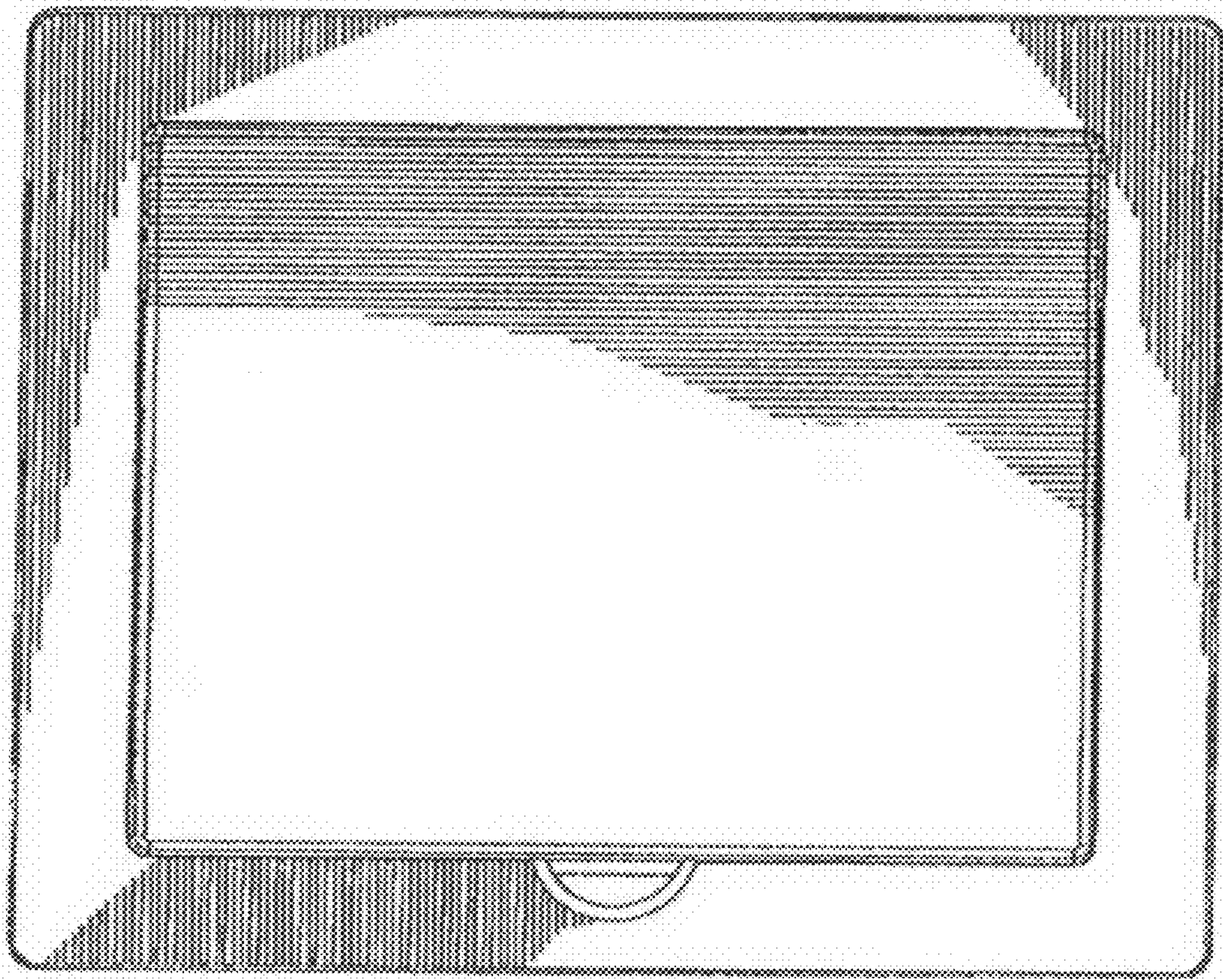


FIG. 3

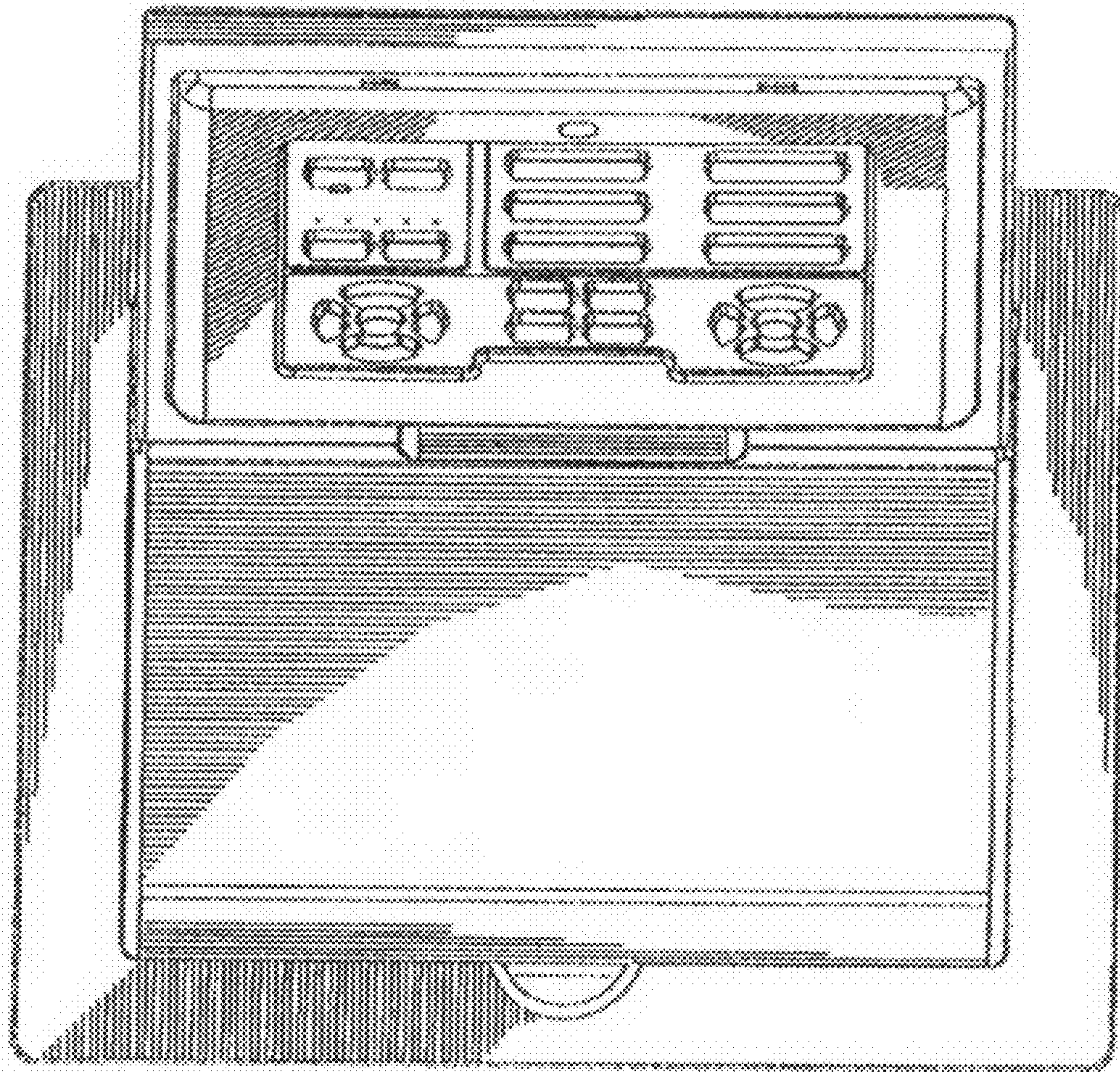


FIG. 4

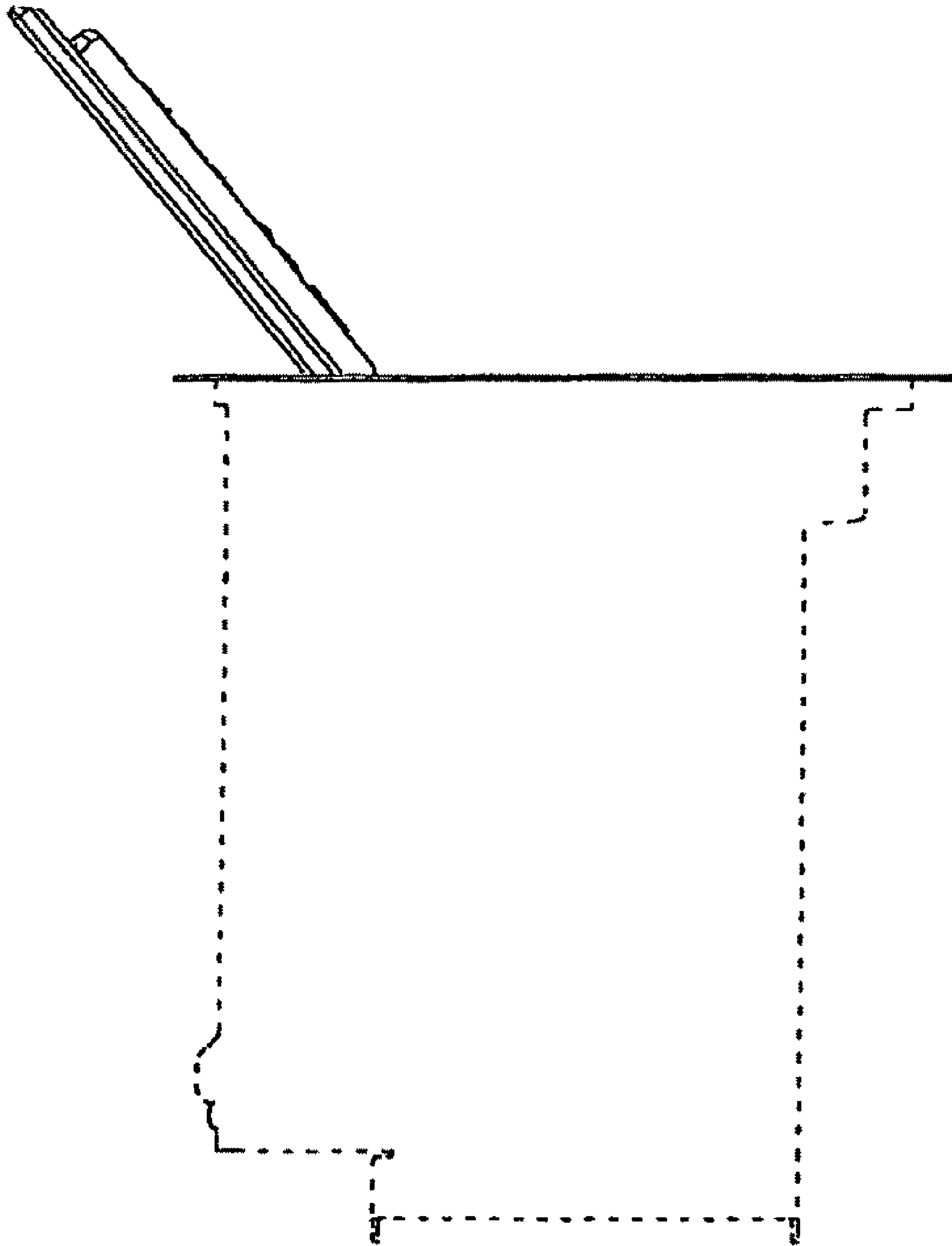


FIG.5

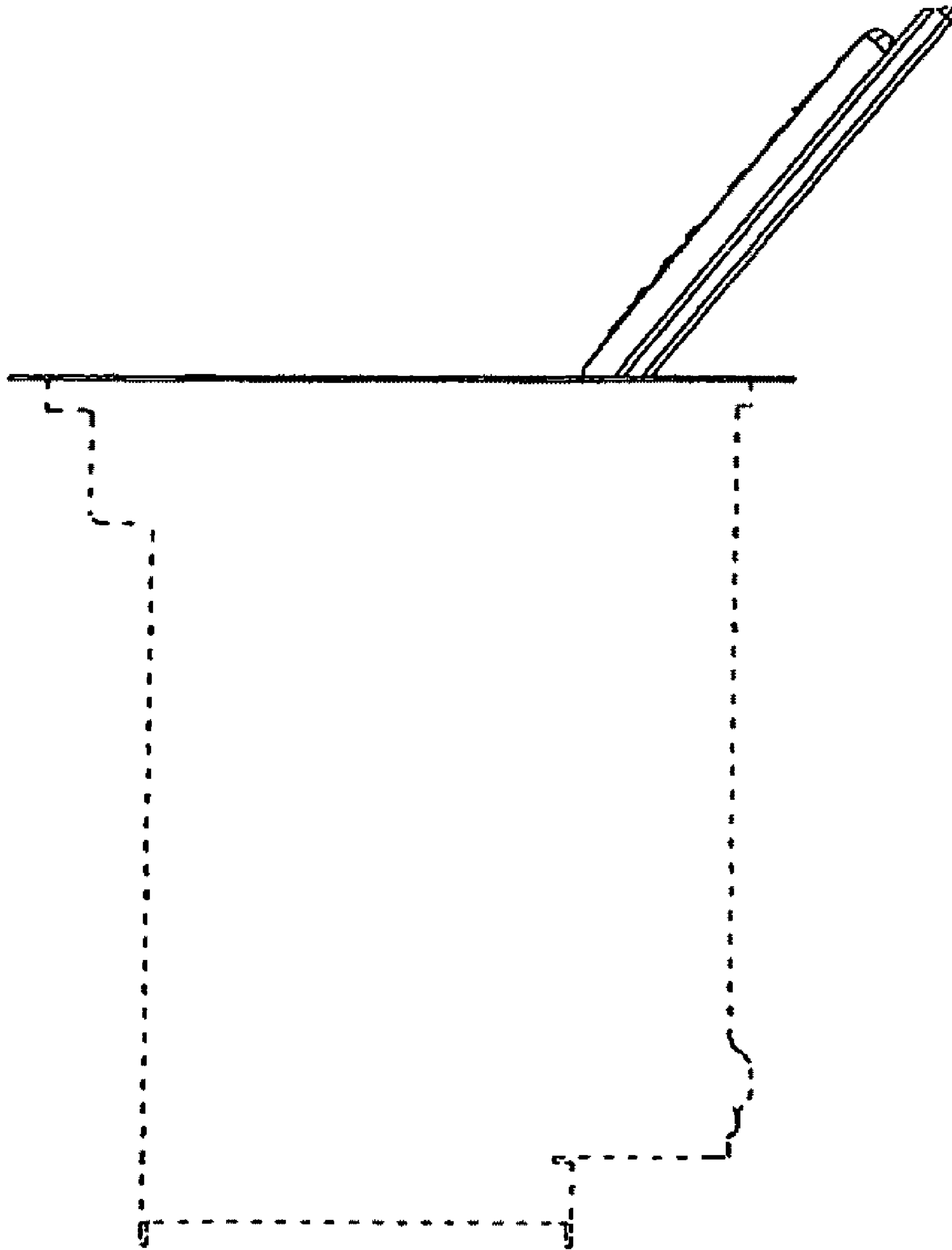


FIG.6

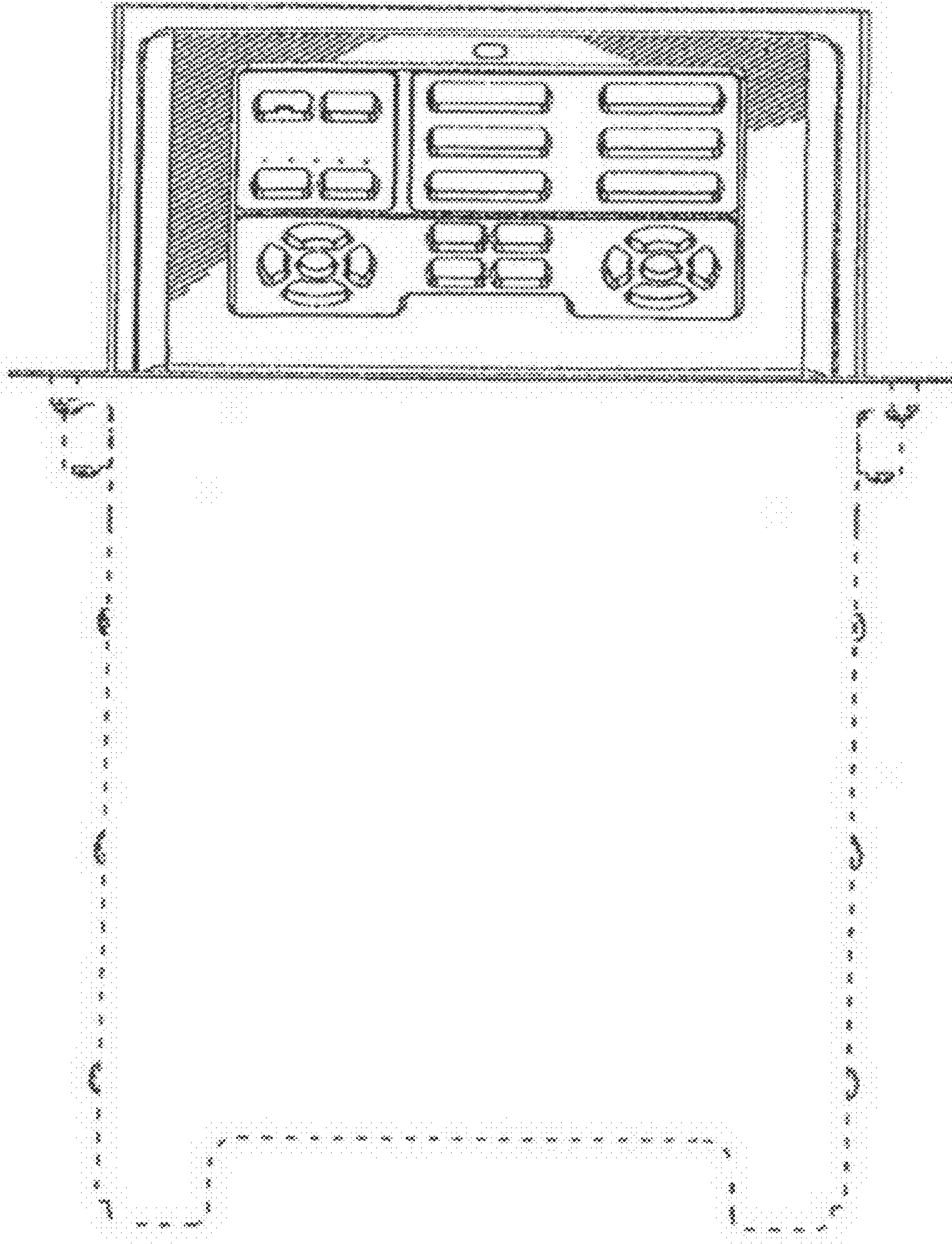


FIG. 7

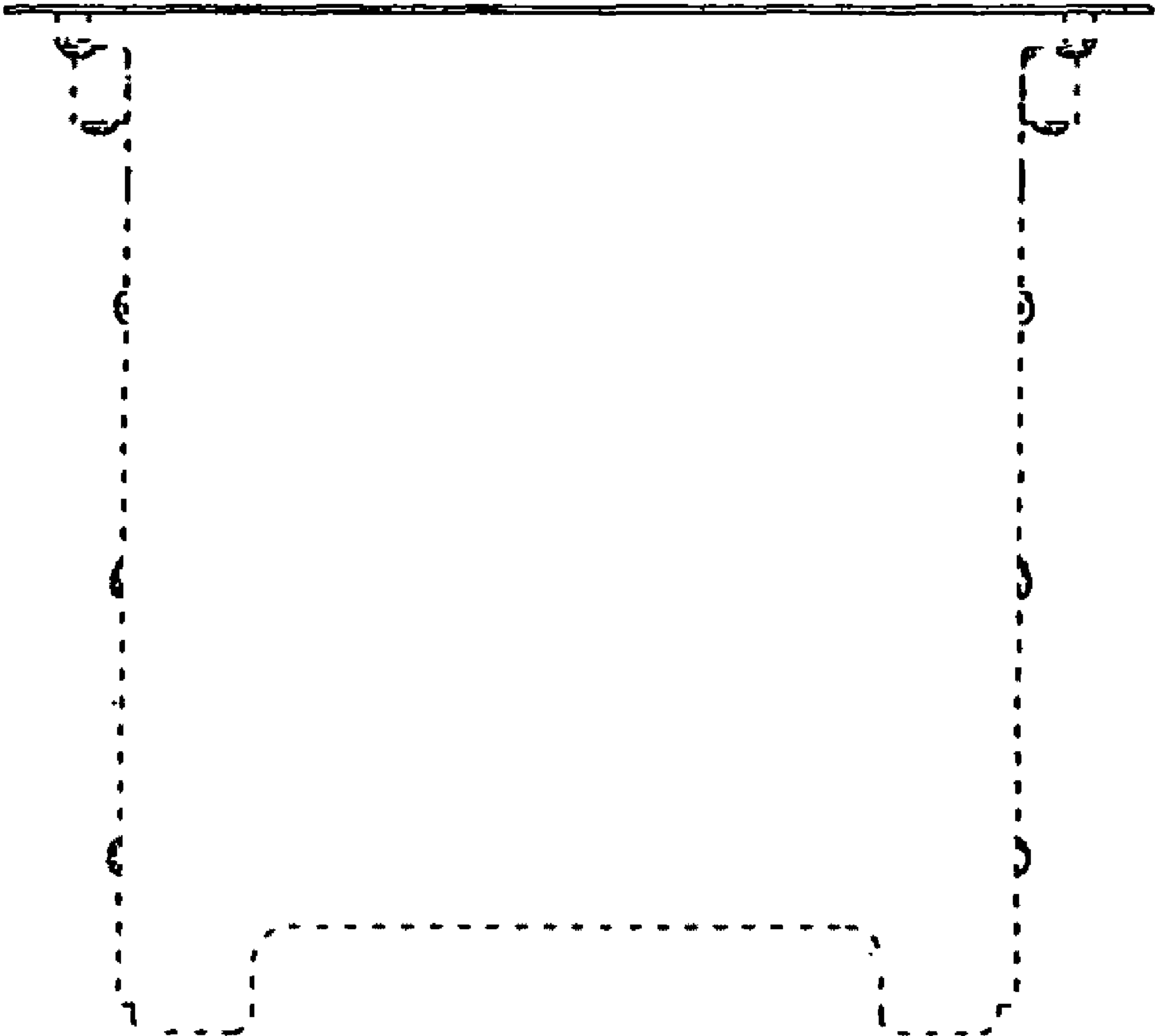


FIG.8