



US00D639676S

(12) **United States Design Patent**
Wang

(10) **Patent No.:** **US D639,676 S**

(45) **Date of Patent:** **** Jun. 14, 2011**

(54) **BAG WITH HANDLE**

(75) Inventor: **Daifeng Wang**, Shanghai (CN)

(73) Assignee: **China Shanghai Crown Textile Co., Ltd.**, Shanghai (CN)

(**) Term: **14 Years**

(21) Appl. No.: **29/359,059**

(22) Filed: **Apr. 5, 2010**

(51) **LOC (9) Cl.** **09-05**

(52) **U.S. Cl.** **D9/704**

(58) **Field of Classification Search** D9/704-705,
D9/720, 414, 418, 424, 430-433; D3/303,
D3/270, 276; 206/468; 383/104, 127, 6,
383/38-40; 40/312; 150/106, 100, 107-110;
428/34.3

See application file for complete search history.

(56) **References Cited**

U.S. PATENT DOCUMENTS

4,836,690 A * 6/1989 Cheng 383/6
D323,977 S * 2/1992 Etro D9/704
D384,273 S * 9/1997 Willis D9/704

D494,853 S * 8/2004 Chan D9/704
D547,673 S * 7/2007 Glass D9/704
D548,107 S * 8/2007 Glass D9/704

* cited by examiner

Primary Examiner — Caron Veynar
Assistant Examiner — Abraham Bahta

(74) *Attorney, Agent, or Firm* — Zunxuan “Digger” Chen;
Hong “Tracey” Zou; Locke Lord Bissell & Liddell, LLP

(57) **CLAIM**

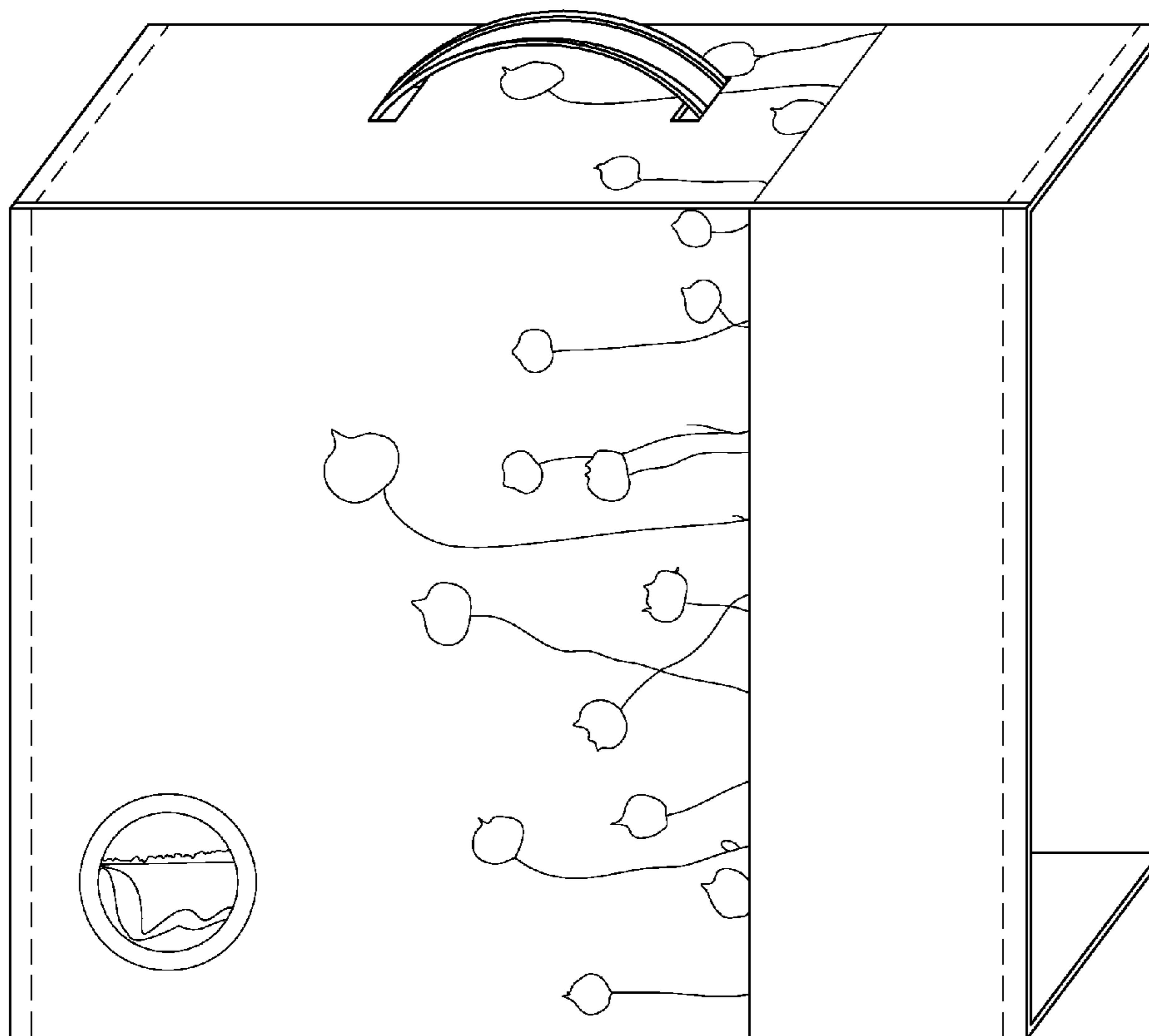
The ornamental design for a bag with handle, as shown and described.

DESCRIPTION

FIG. 1 is a perspective view of a bag with handle;
FIG. 2 is an elevation view of the top portion of the bag with handle;
FIG. 3 is a top view;
FIG. 4 is a front side view;
FIG. 5 is a left side view;
FIG. 6 is a right side view; and,
FIG. 7 is a back side view.

The broken line showing of portion of the bag is included for the purpose of illustrating environmental structure and forms no part of the claimed design.

1 Claim, 3 Drawing Sheets



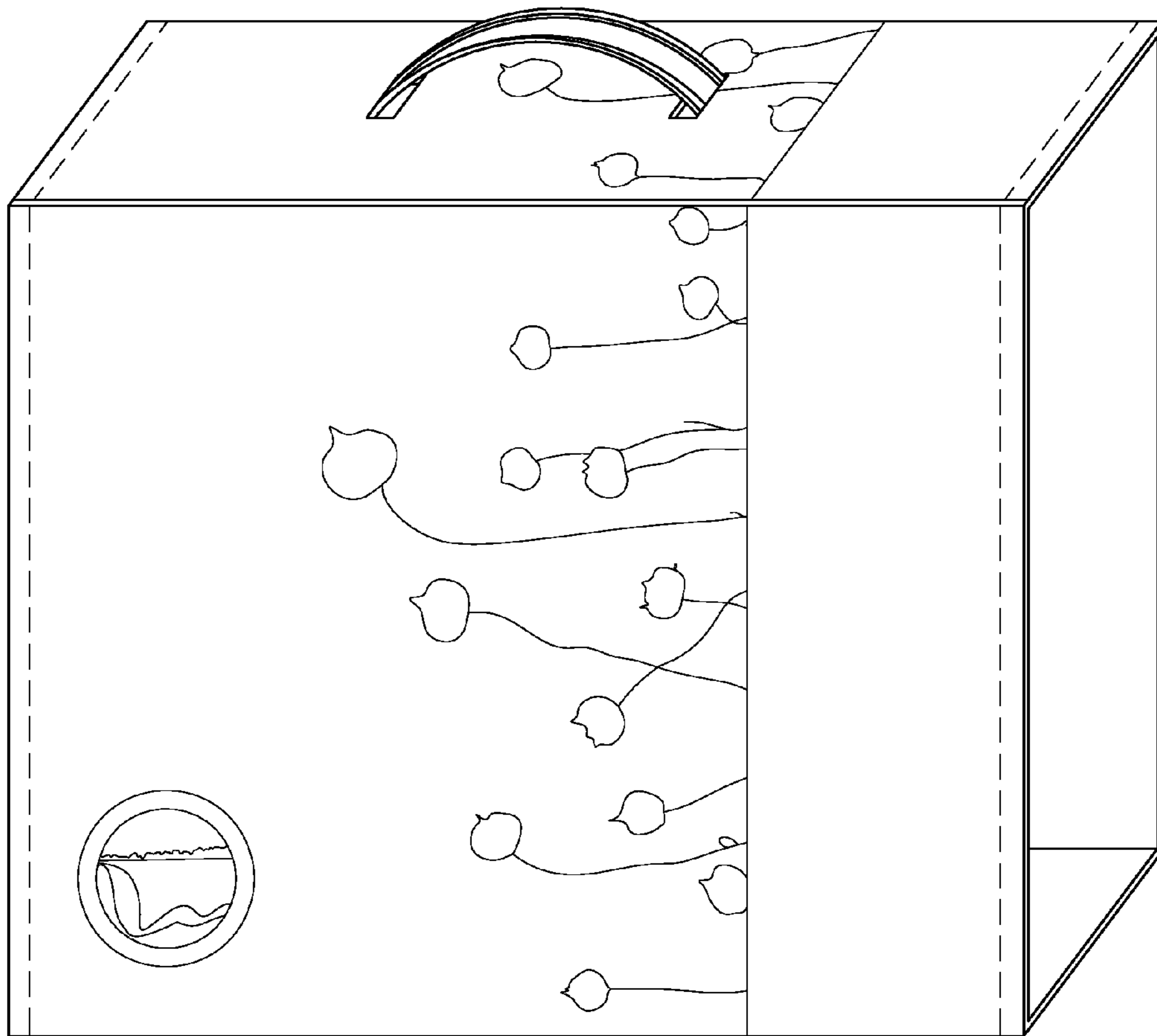


FIG. 1

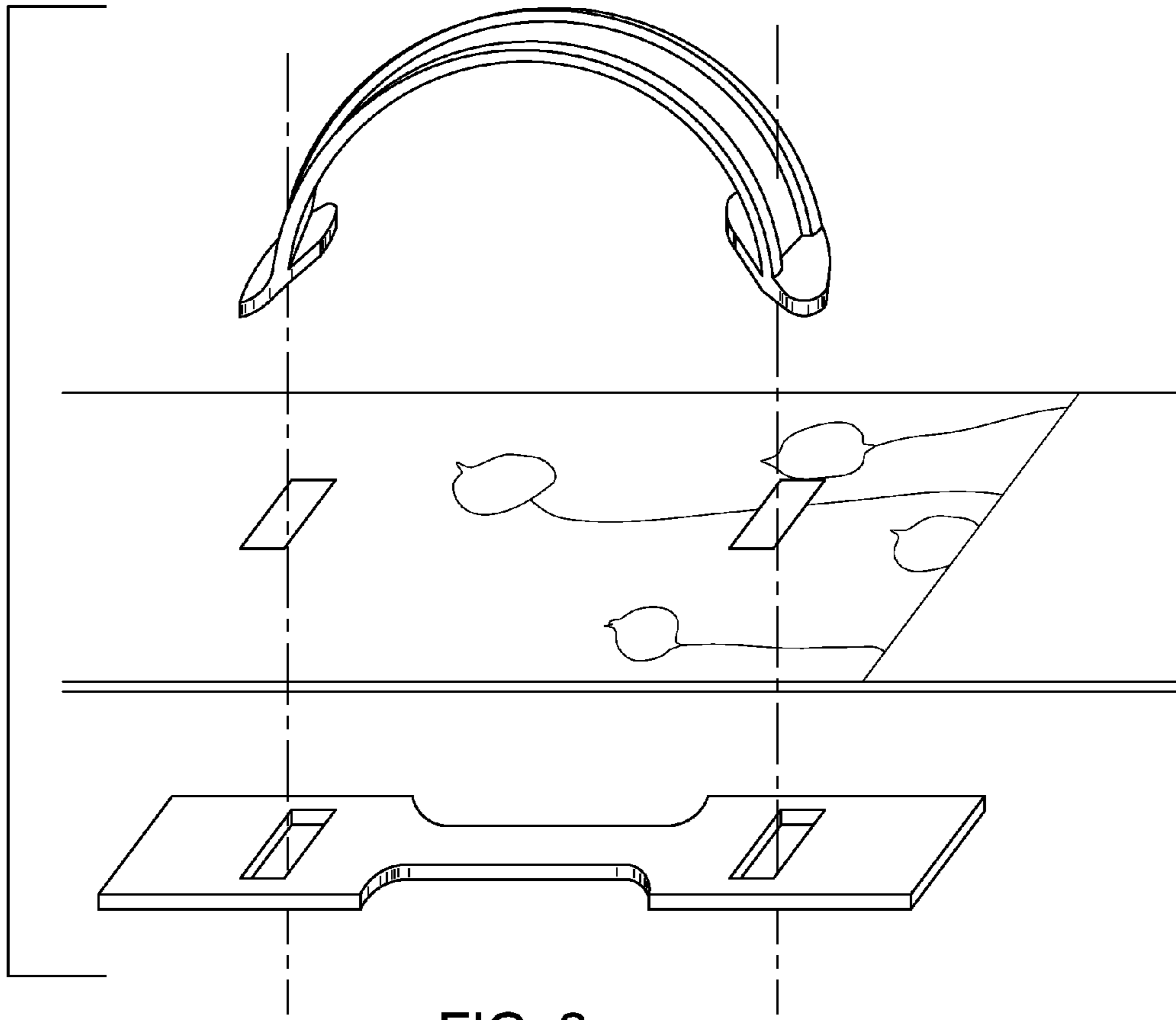


FIG. 2

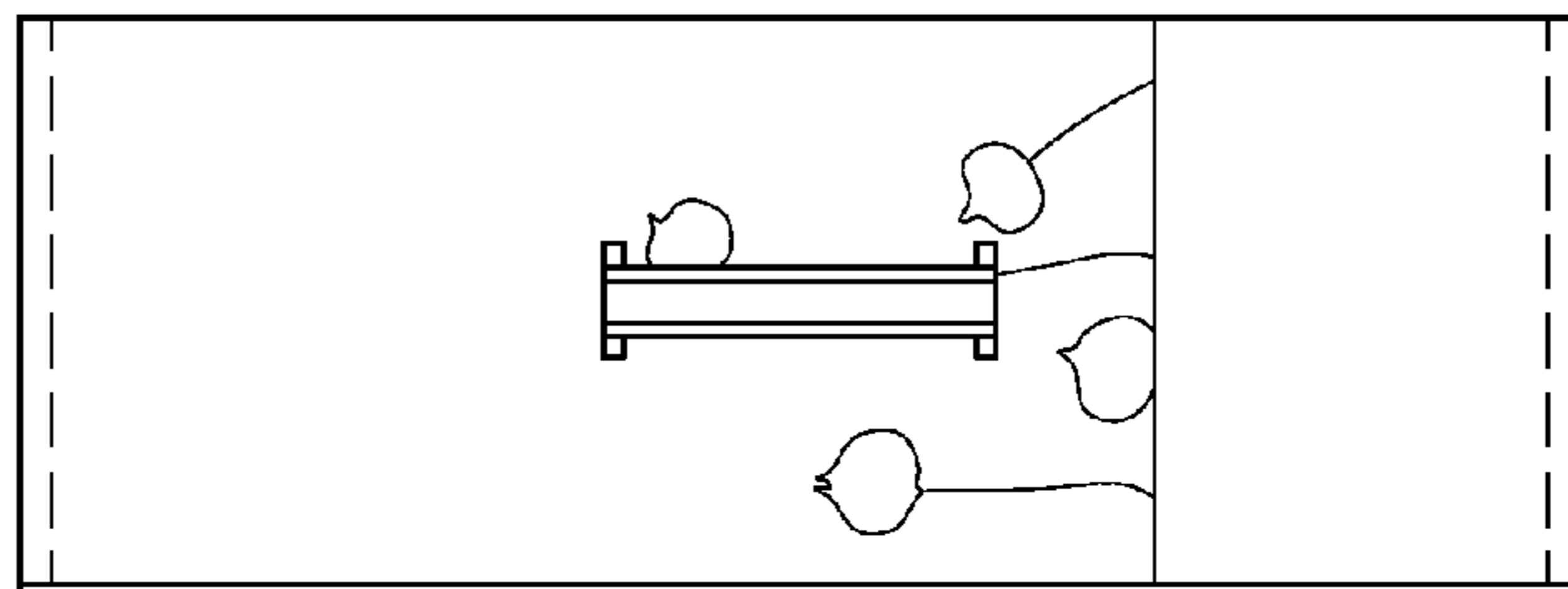


FIG. 3

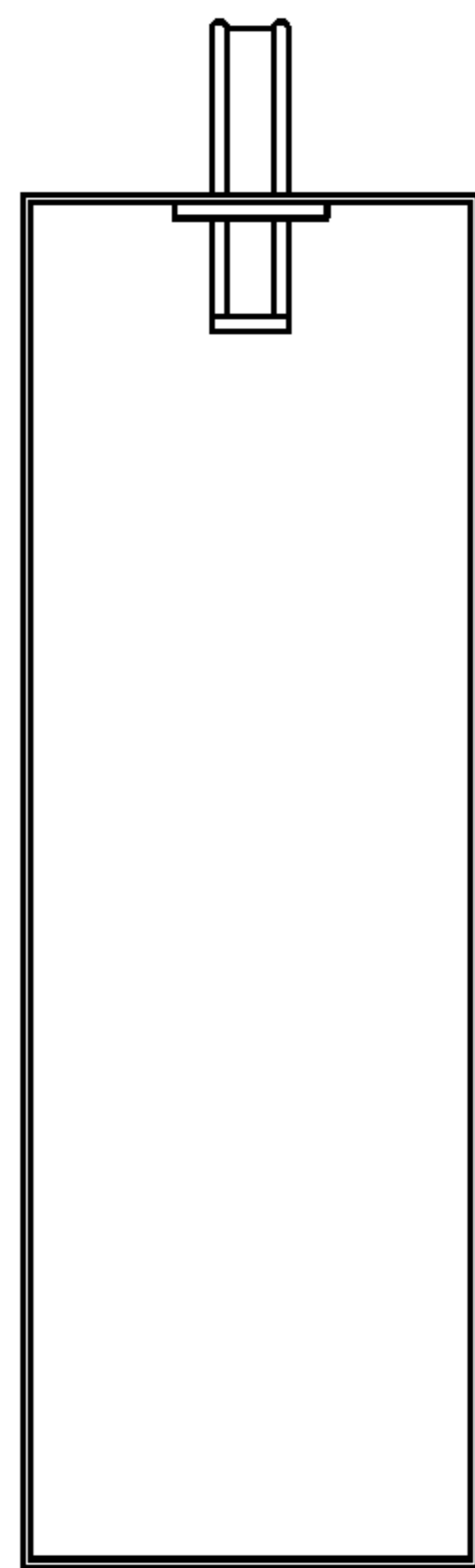


FIG. 5

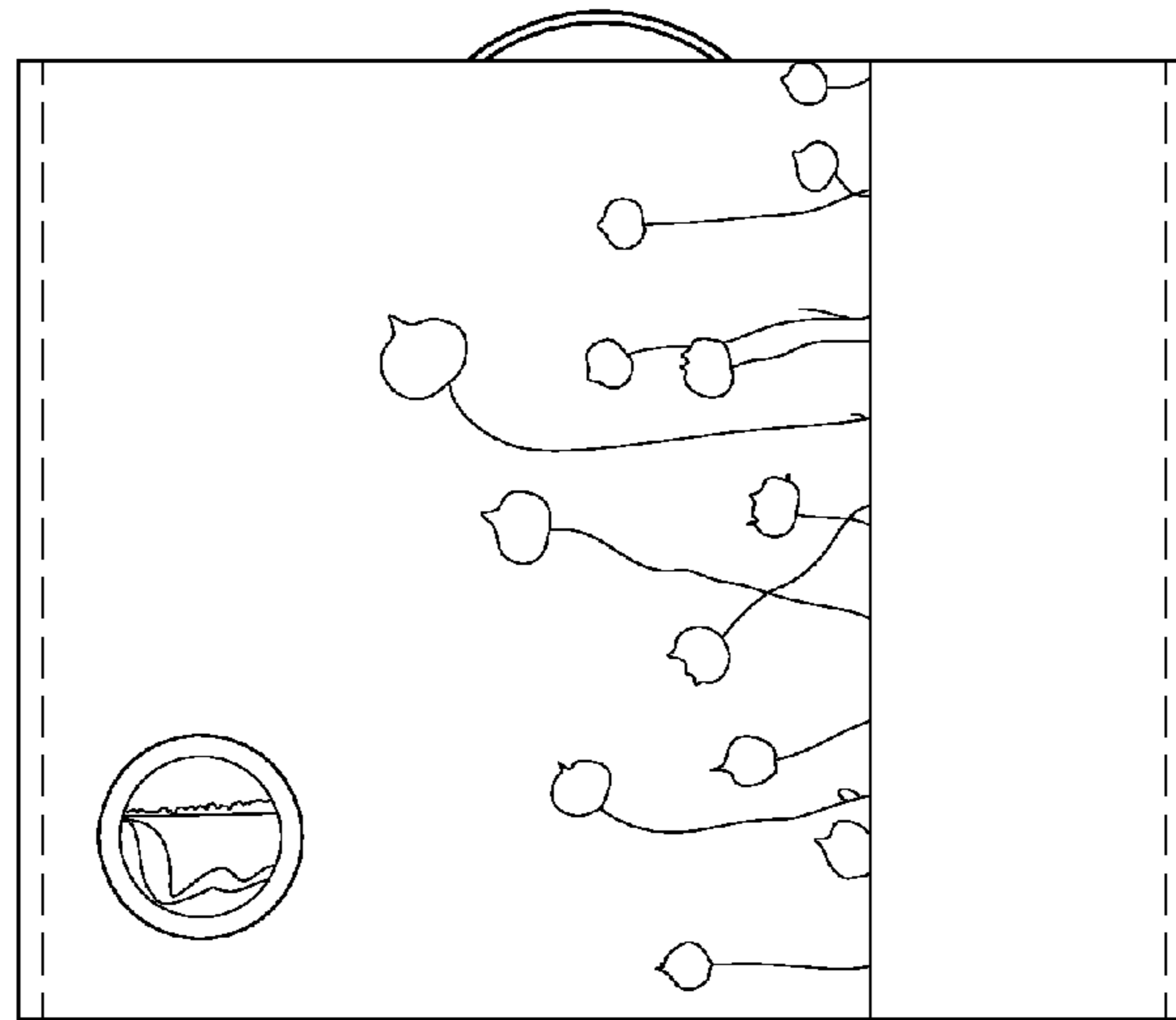


FIG. 4

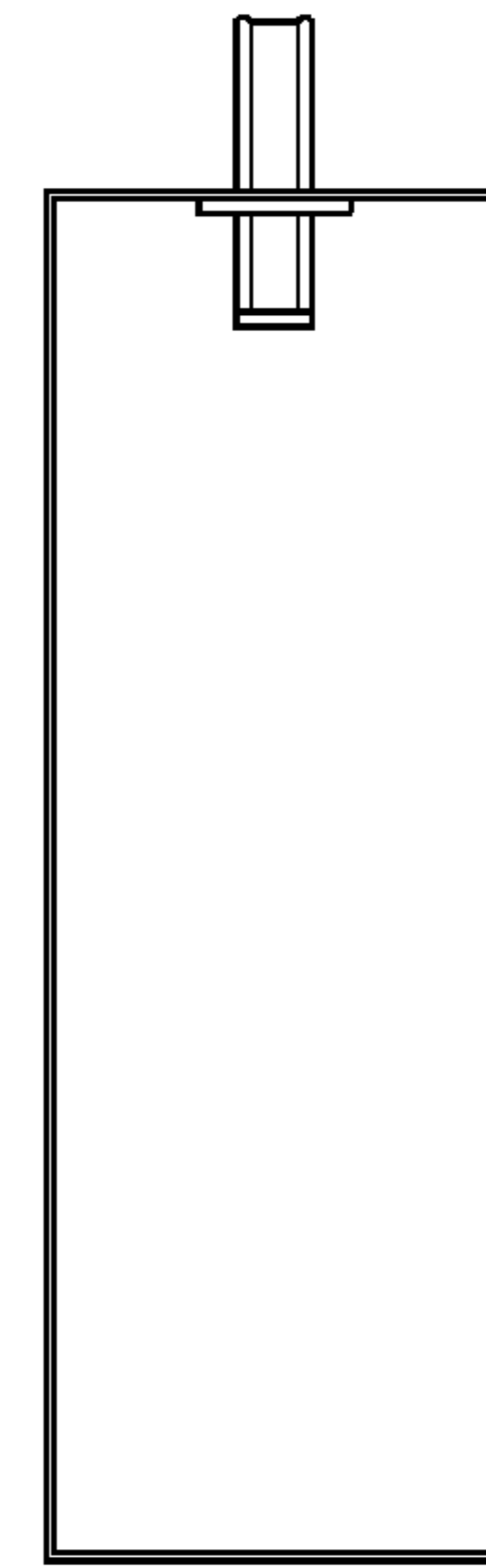


FIG. 6

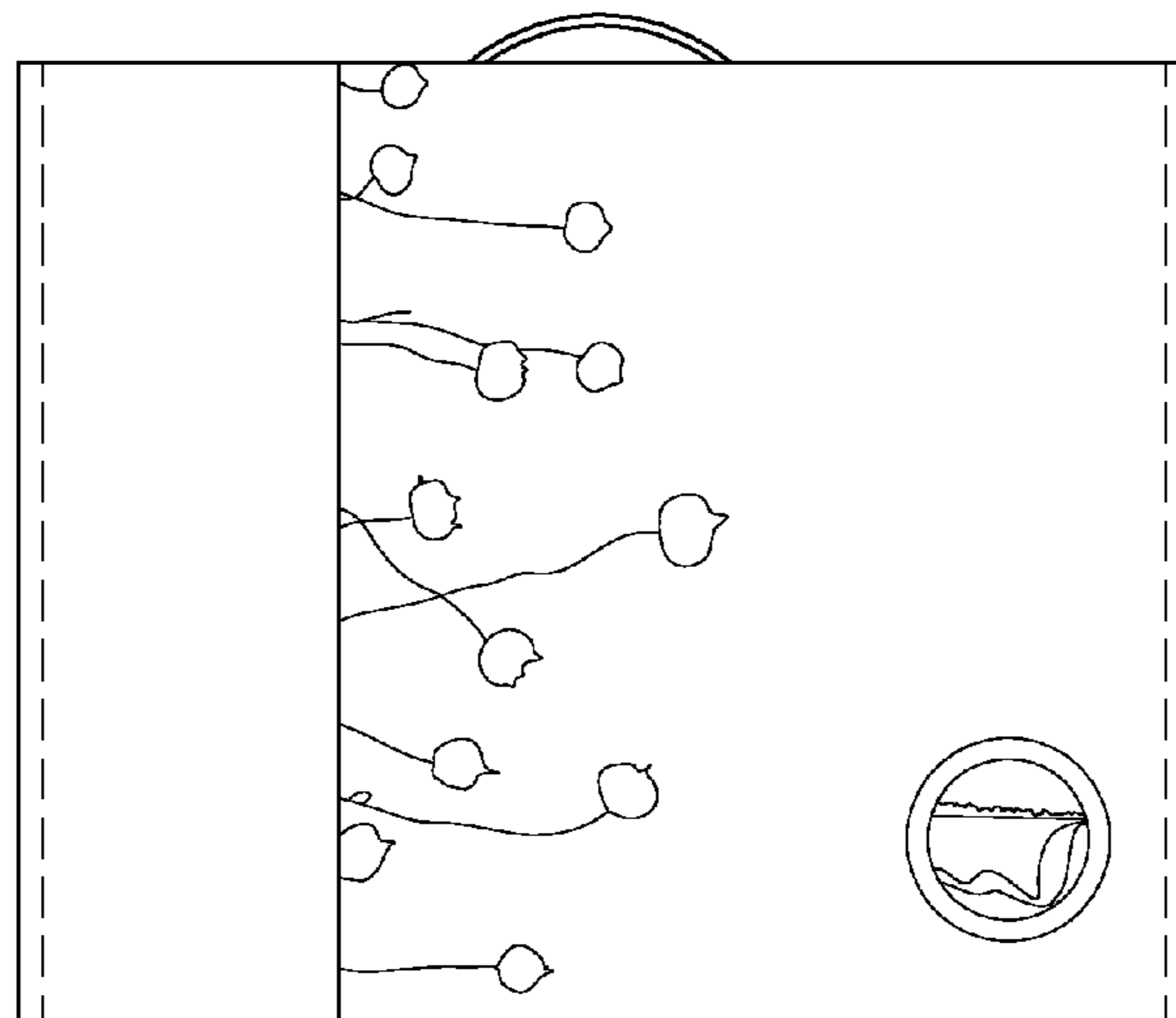


FIG. 7