



US00D639674S

(12) **United States Design Patent**
Bowman

(10) **Patent No.:** **US D639,674 S**

(45) **Date of Patent:** **** Jun. 14, 2011**

(54) **GRADUATION HAT BOX WITH TASSEL**

D386,400 S 11/1997 Lau
D389,513 S * 1/1998 Bell D9/632
D452,375 S 12/2001 Montemayor
D490,121 S 5/2004 Beckerman
D592,853 S * 5/2009 Parker D3/271.4

(75) Inventor: **Linden H. Bowman**, Ellicott City, MD
(US)

* cited by examiner

(73) Assignee: **The Lindy Bowman Company**,
Elkridge, MD (US)

Primary Examiner — Sandra Morris

(**) Term: **14 Years**

(74) *Attorney, Agent, or Firm* — Cahn & Samuels LLP

(21) Appl. No.: **29/345,387**

(57) **CLAIM**

(22) Filed: **Oct. 15, 2009**

I claim the ornamental design for a graduation hat box with tassel.

(51) **LOC (9) Cl.** **09-01**

(52) **U.S. Cl.** **D9/632**

(58) **Field of Classification Search** D3/270,
D3/271.1, 271.4; D7/515; D9/600, 601,
D9/614, 631-632; 206/457-458, 527; 215/400;
220/890

DESCRIPTION

See application file for complete search history.

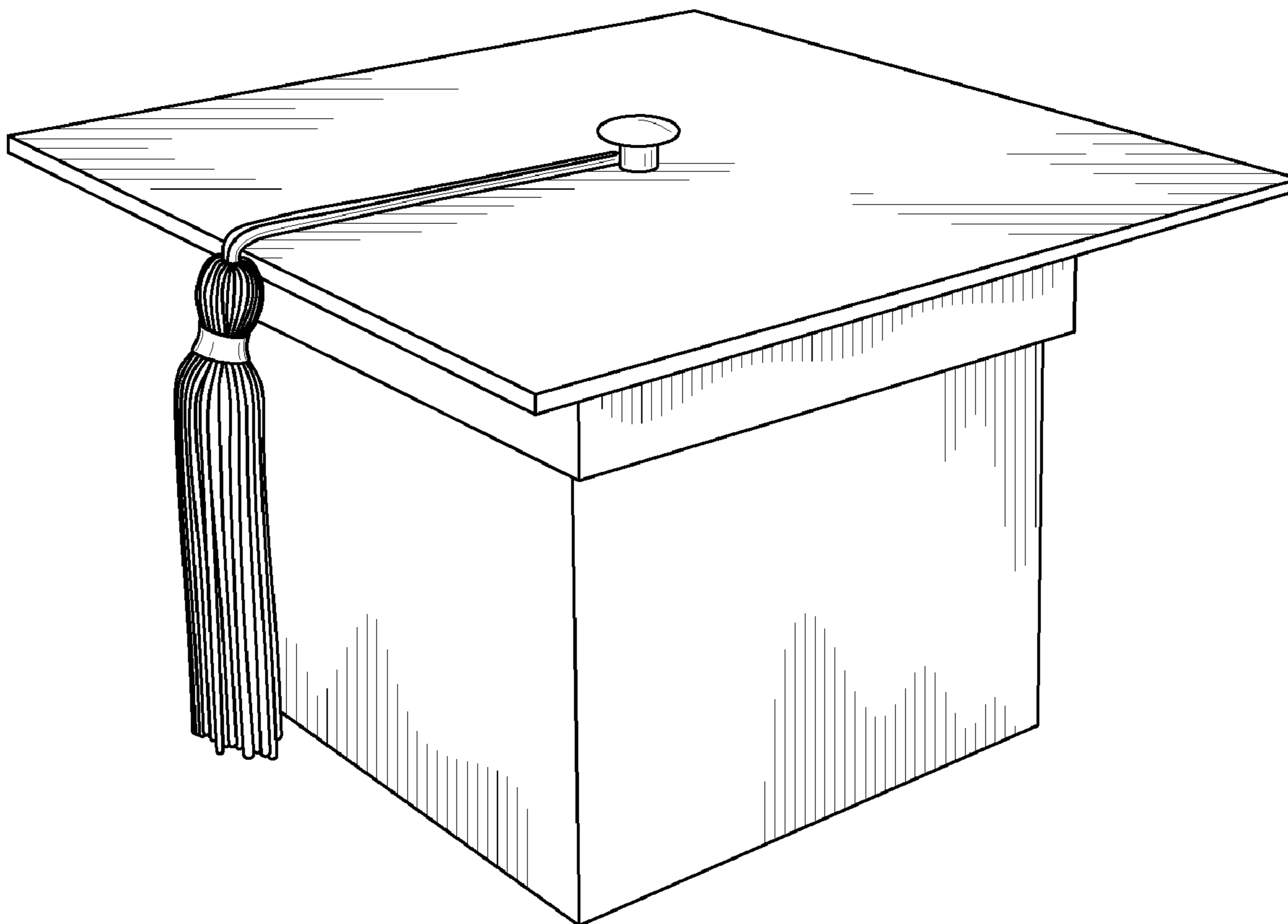
FIG. 1 is a front perspective view of the graduation hat box with tassel showing my new design;
FIG. 2 is a top plan view thereof;
FIG. 3 is a front elevational view thereof;
FIG. 4 is a side elevational view thereof;
FIG. 5 is a back elevational view thereof; and,
FIG. 6 is a side elevational view thereof.

(56) **References Cited**

U.S. PATENT DOCUMENTS

2,248,497 A 7/1941 Gelvin
2,289,370 A 7/1942 Krag

1 Claim, 4 Drawing Sheets



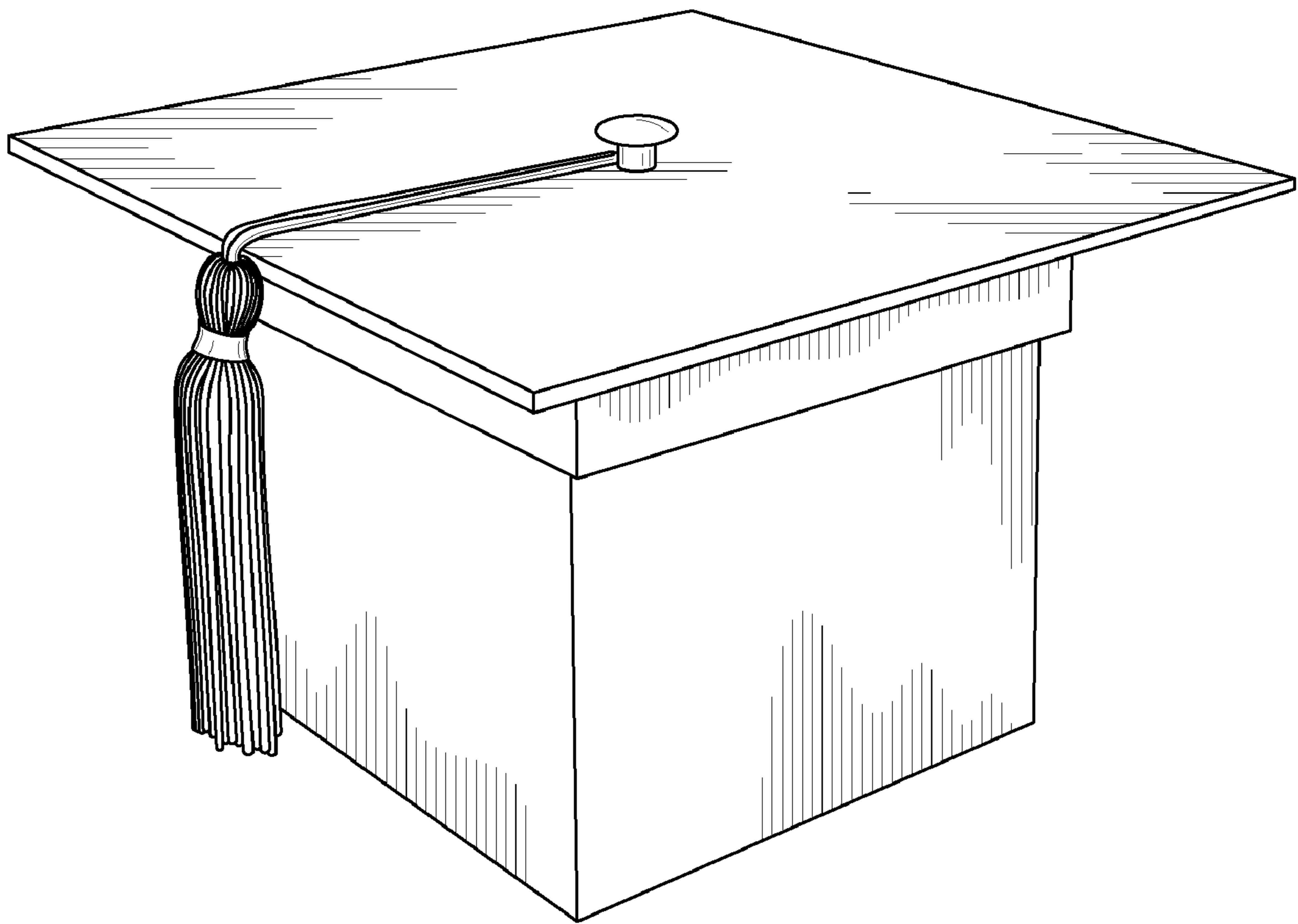


FIG. 1

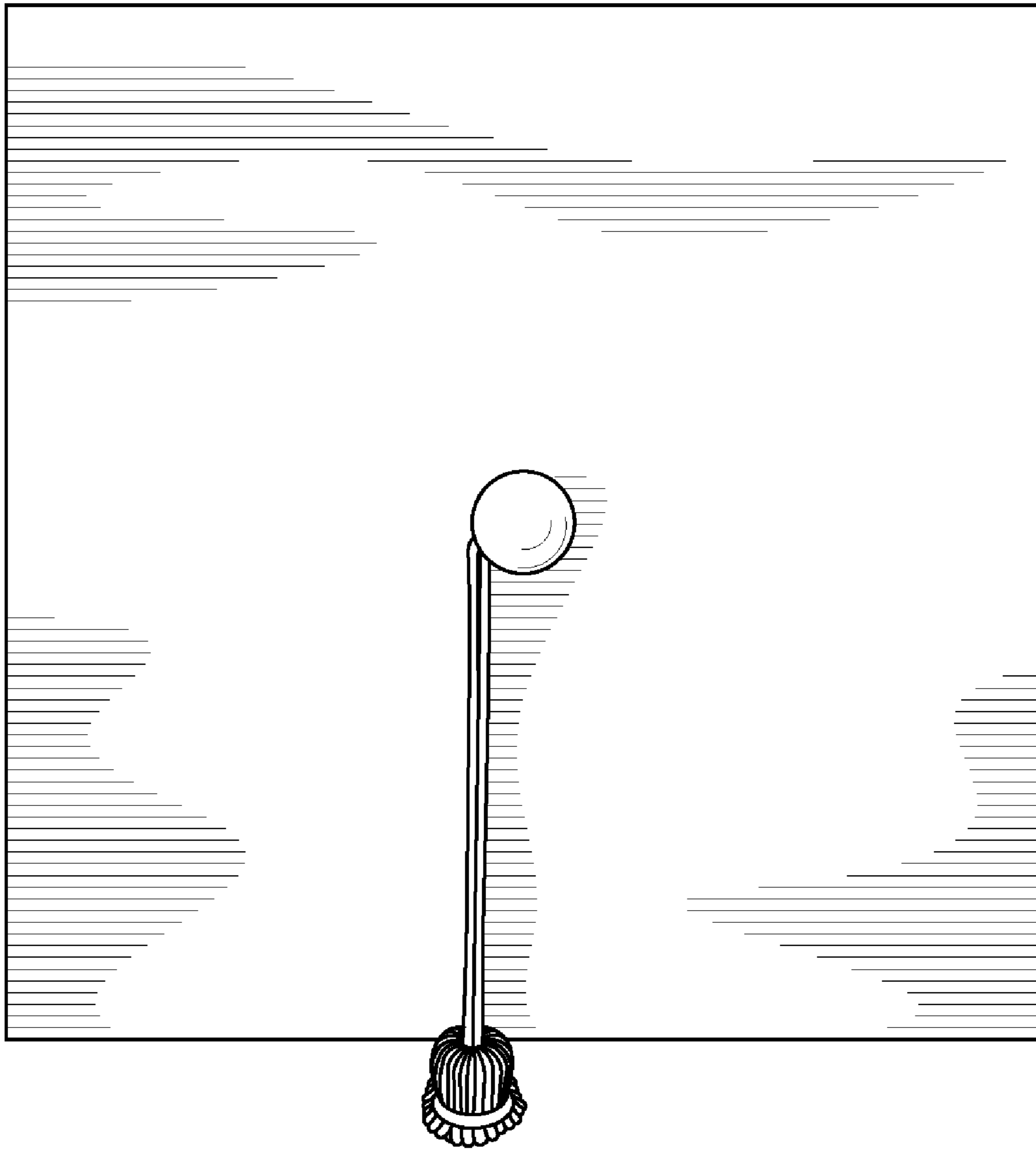


FIG. 2

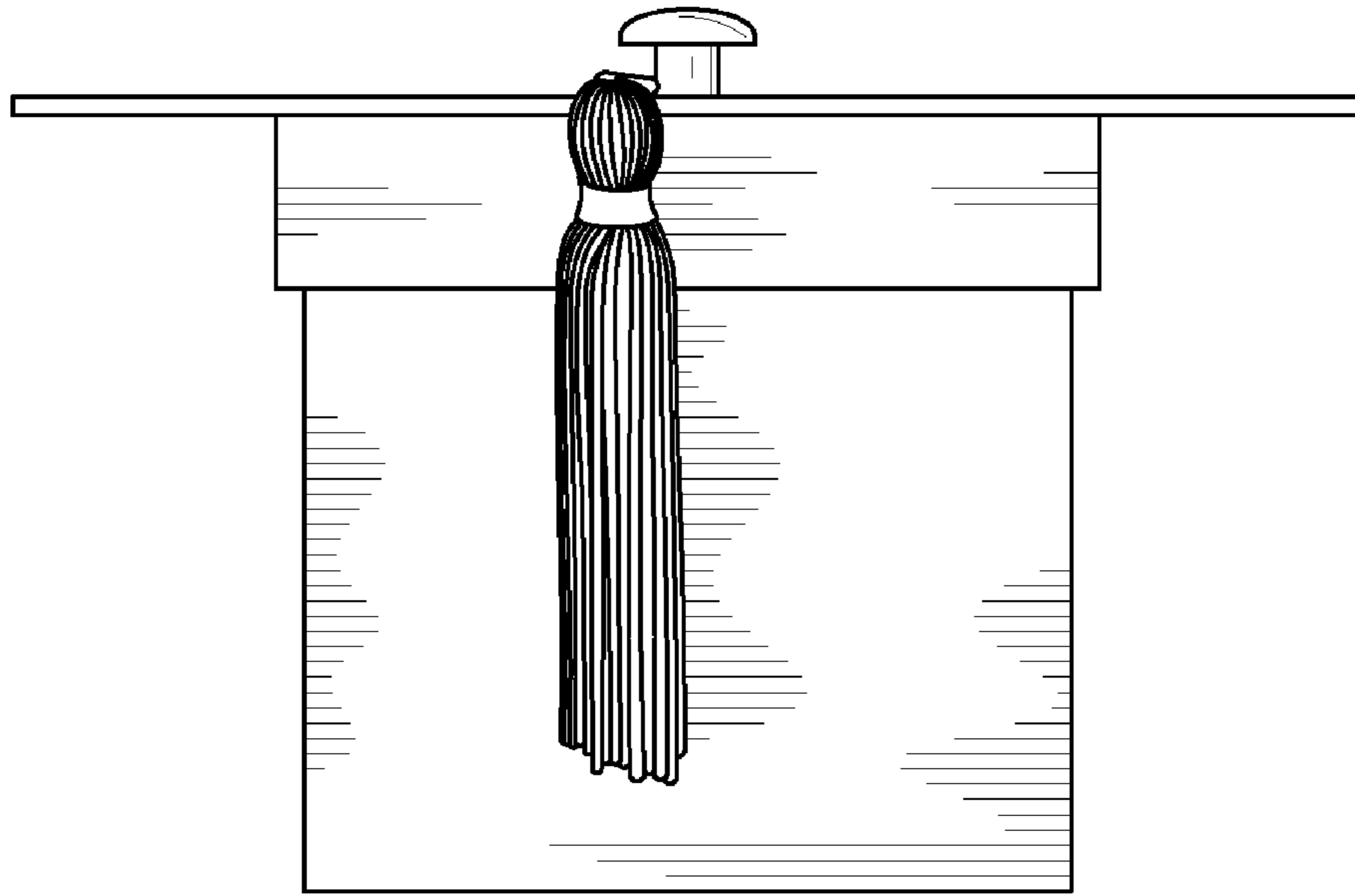


FIG. 3

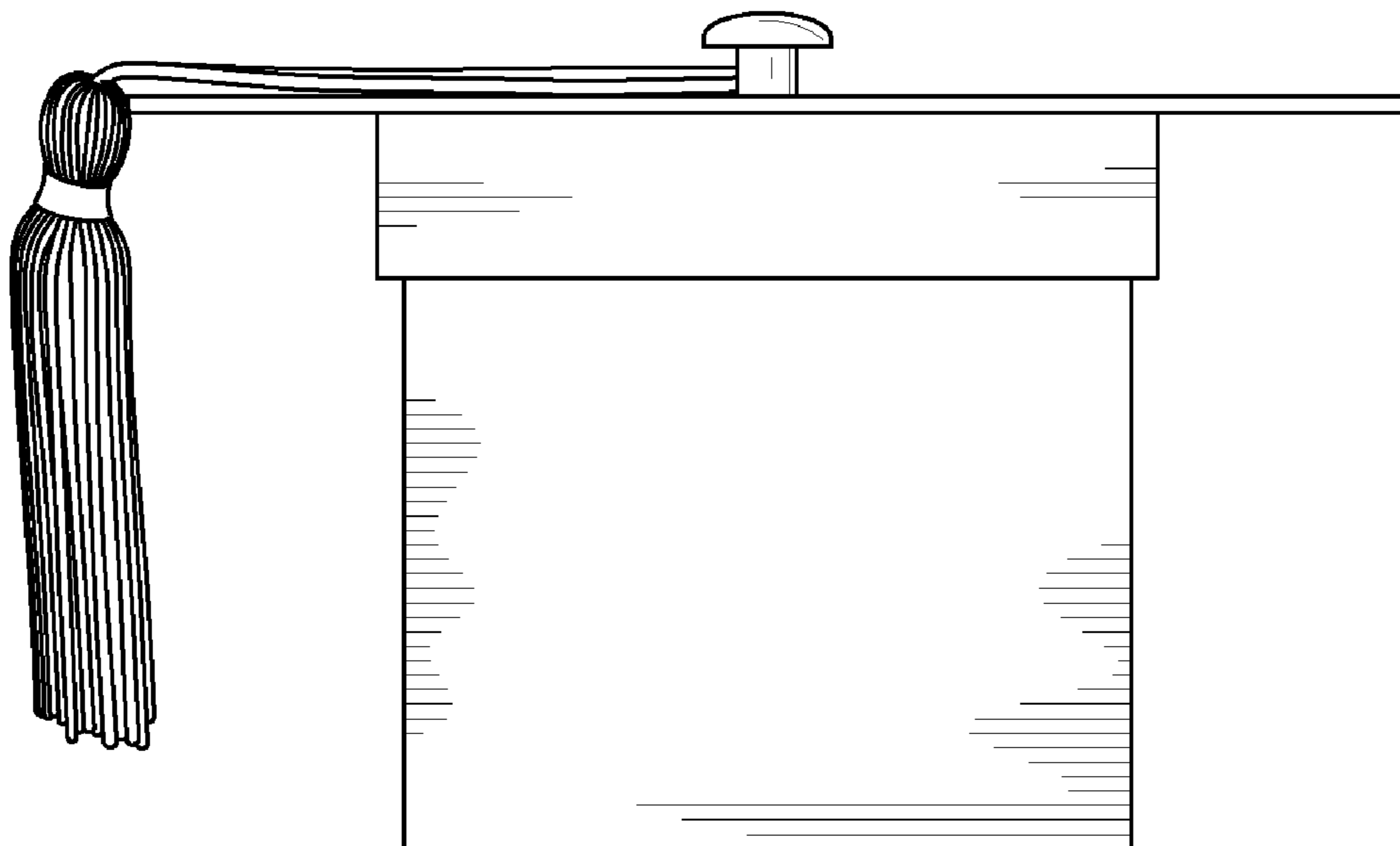


FIG. 4

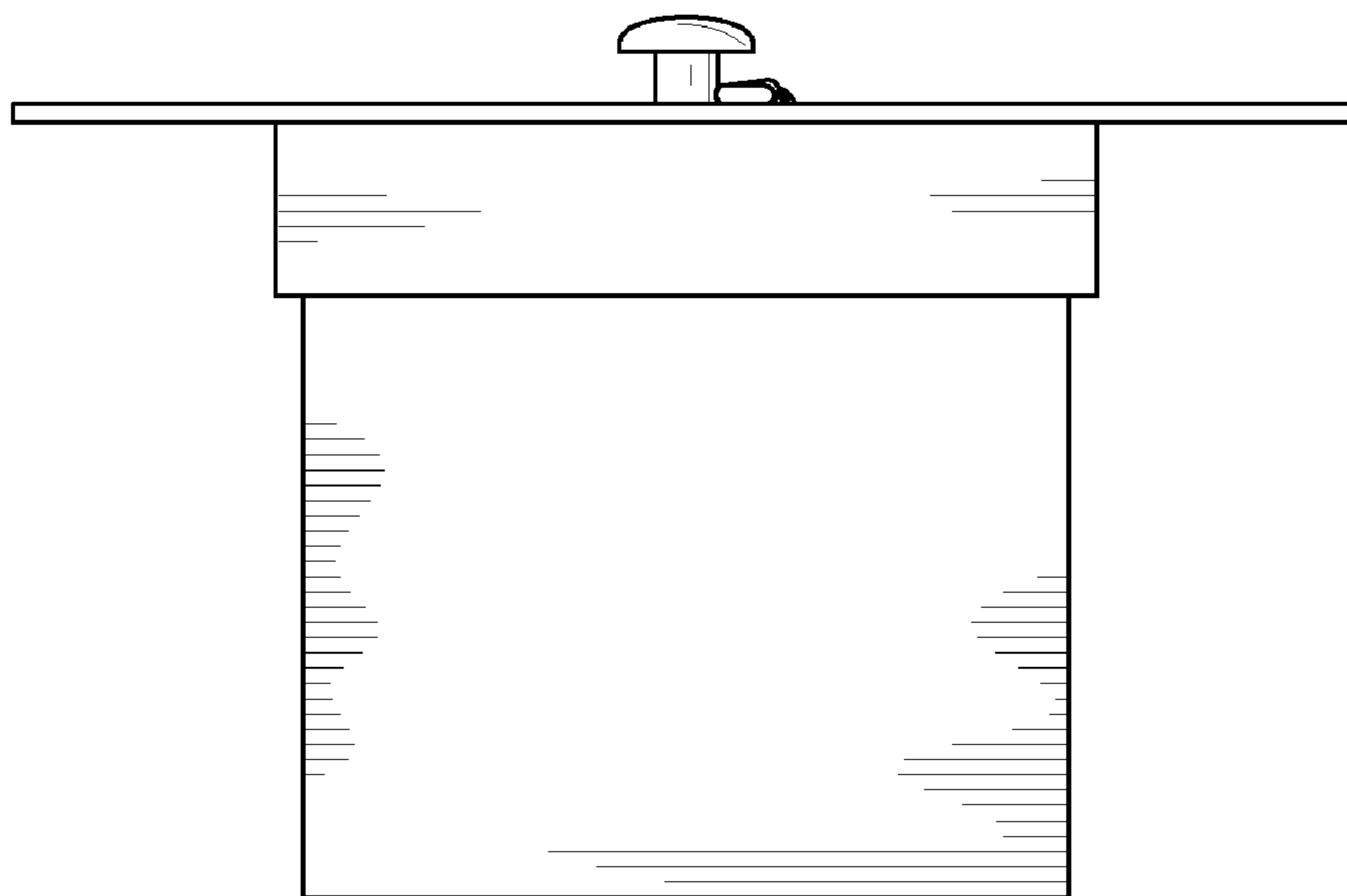


FIG. 5

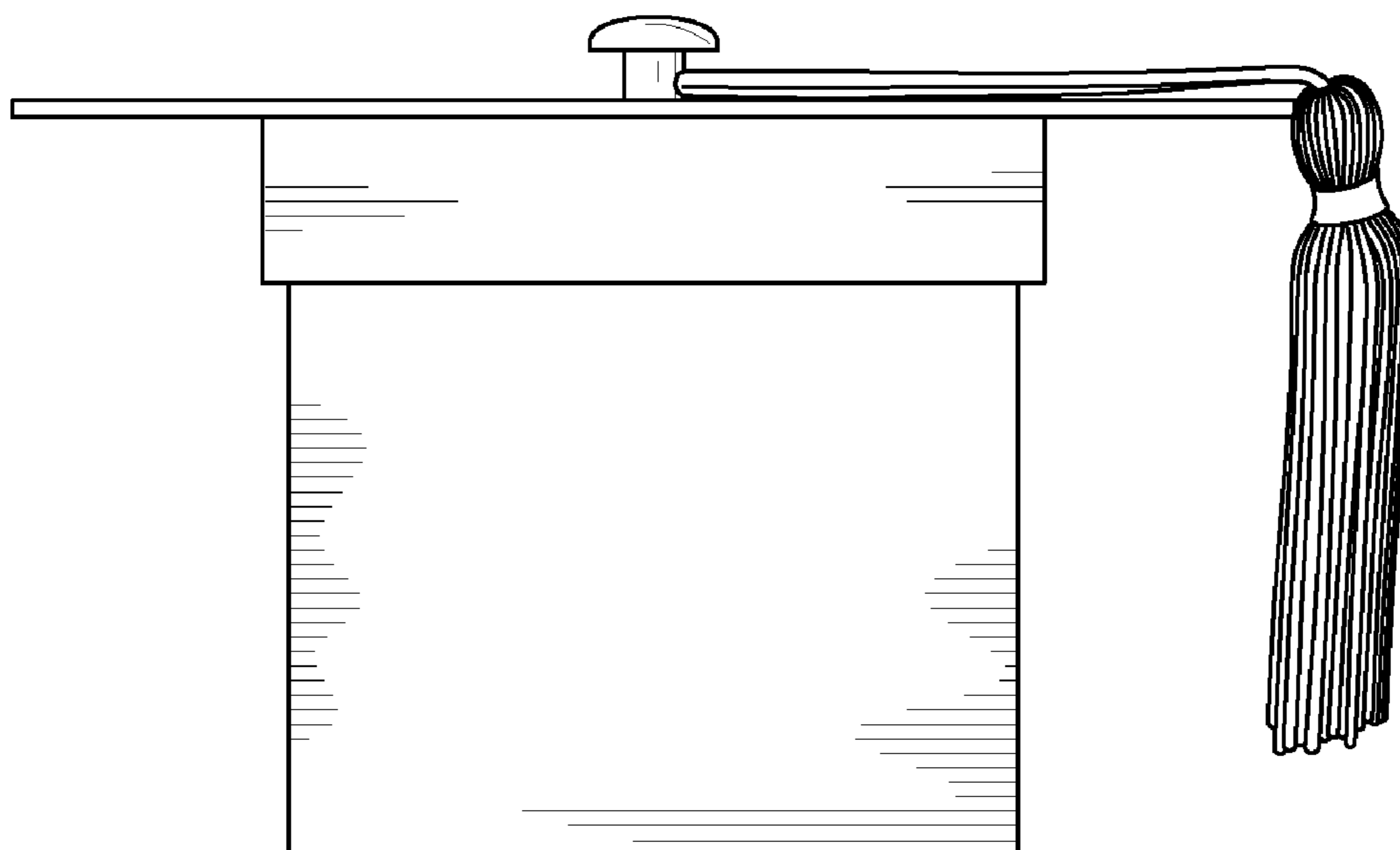


FIG. 6