



US00D639667S

(12) **United States Design Patent**
Bogert et al.

(10) **Patent No.:** **US D639,667 S**
(45) **Date of Patent:** **** Jun. 14, 2011**

(54) **FRAGRANCE BOTTLE AND CAP**

(75) Inventors: **Elizabeth Bogert**, Croton on Hudson, NY (US); **Lance Colin McGregor**, Brooklyn, NY (US); **Jin Chung**, New York, NY (US)

(73) Assignee: **Christian Casey LLC**, New York, NY (US)

(**) Term: **14 Years**

(21) Appl. No.: **29/362,544**

(22) Filed: **May 27, 2010**

Related U.S. Application Data

(62) Division of application No. 29/352,079, filed on Dec. 16, 2009, now Pat. No. Des. 620,804.

(51) **LOC (9) Cl.** **09-01**

(52) **U.S. Cl.** **D9/544; D9/439; D9/559; D9/573**

(58) **Field of Classification Search** D9/434, D9/435, 439, 516, 520, 529, 544, 546, 559, D9/560, 566, 568, 573, 574, 682, 686, 687, D9/694; 215/379, 381-385; 220/660, 662, 220/665

See application file for complete search history.

(56) **References Cited**

U.S. PATENT DOCUMENTS

564,878	A *	7/1896	Frisch	215/6
576,150	A *	2/1897	Rathbun	401/126
D45,375	S *	3/1914	Dunnock		
D61,829	S *	1/1923	Javal		
D76,142	S *	8/1928	Liddell		
D76,291	S	9/1928	D'Escayrac		
D81,633	S *	7/1930	Wagner		
D92,078	S *	4/1934	Guerlain	D9/544
D94,010	S *	12/1934	Westlake	D9/544
D94,786	S *	3/1935	Stein		
D95,849	S *	6/1935	Leach	D9/573
D107,966	S *	1/1938	McIntosh		
D121,286	S *	7/1940	Robert	D9/544
D141,775	S *	7/1945	Buckingham	D9/544

D143,657	S *	1/1946	Graham
2,921,708	A	1/1960	Marcel
3,581,926	A	6/1971	Roder
3,926,329	A	12/1975	Guala
D243,066	S *	1/1977	Halsted et al.

(Continued)

FOREIGN PATENT DOCUMENTS

AU 119118 * 12/1993

(Continued)

Primary Examiner — Stella Reid

Assistant Examiner — Elizabeth J Oswecki

(74) *Attorney, Agent, or Firm* — Cynthia Miller

(57) **CLAIM**

The ornamental design for a fragrance bottle and cap, substantially as shown and described.

DESCRIPTION

FIG. 1 is a top, front and right side perspective view of a first embodiment of a fragrance bottle and cap showing our new design;

FIG. 2 is a top plan view thereof;

FIG. 3 is a front elevation view thereof, the rear elevation view being a mirror image thereof;

FIG. 4 is a side elevation view thereof, the opposite side elevation view being a mirror image thereof;

FIG. 5 is a bottom plan view thereof;

FIG. 6 is a top, front and right side perspective view of a second embodiment of a fragrance bottle and cap showing our new design;

FIG. 7 is a top plan view thereof;

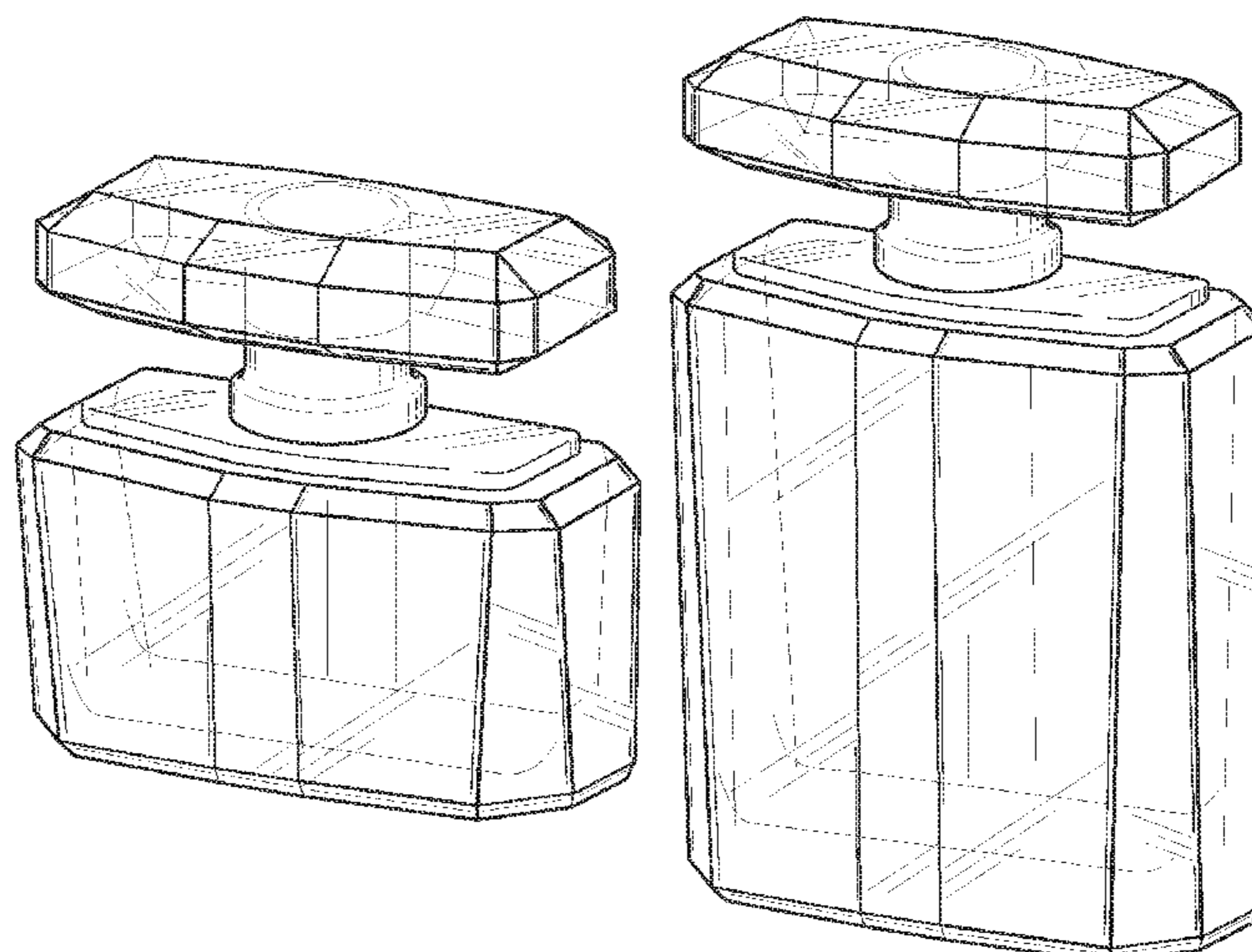
FIG. 8 is a front elevation view thereof, the rear elevation view being a mirror image thereof;

FIG. 9 is a side elevation view thereof, the opposite side elevation view being a mirror image thereof; and,

FIG. 10 is a bottom plan view thereof.

In the drawings, the broken lines in FIGS. 5 and 10 depict portions of the design that form no part of the claim.

1 Claim, 4 Drawing Sheets



US D639,667 S

Page 2

U.S. PATENT DOCUMENTS				AU		
D261,109	S	*	10/1981 Rosenblatt et al. D9/544	AU	327646	9/2009
D270,040	S	*	8/1983 Perez Casasa y Perez de Guzman D9/573	AU	327647	* 9/2009
D272,603	S	*	2/1984 Dinand D9/544	EM	266655-2	12/2004
D279,079	S	*	6/1985 Pourtout D9/553	EM	975602-2	7/2008
4,893,636	A		1/1990 Cook et al.	EM	988019-1	8/2008
D310,330	S	*	9/1990 Cassini D9/569	EM	988019-2	8/2008
D313,749	S	*	1/1991 Dinand D9/544	EM	1099493-1	2/2009
D318,618	S		7/1991 Scarpa et al.	HK	0411912.1M005	10/2004
D324,820	S		3/1992 Hayman et al.	HK	0412349.7	1/2005
D333,269	S	*	2/1993 Albright et al. D9/544	HK	0701432.3M001	8/2007
D356,502	S	*	3/1995 Poandl D9/520	HK	0701432.3M002	8/2007
D363,226	S	*	10/1995 Trussardi D9/544	HK	0802094.7M001	10/2008
D365,992	S	*	1/1996 Trussardi D9/544	HK	0802094.7M002	10/2008
D420,596	S	*	2/2000 Maddy	MY	UK (E) 01/0428	7/1996
D430,037	S	*	8/2000 Granai D9/544	MY	UK (E) 01/0632	11/1996
6,158,620	A	*	12/2000 Polan 222/92	MY	00-00101	9/1999
D474,693	S	*	5/2003 Gruosi-Scheufele	MY	01-00617	5/2001
D484,790	S	*	1/2004 Sgariboldi	MY	04-00730	6/2004
D484,791	S	*	1/2004 Sgariboldi D9/694	TW	246317	4/1995
D484,792	S	*	1/2004 Sgariboldi D9/694	TW	274026	4/1996
D519,844	S	*	5/2006 Mansau	TW	300826	3/1997
D526,212	S	*	8/2006 Faillant-Dumas D9/694	TW	305716	5/1997
D530,211	S	*	10/2006 Lloyd	TW	468960	12/2001
D531,911	S	*	11/2006 Lloyd	TW	D106206	8/2005
D532,696	S	*	11/2006 Boudard	TW	D107086	10/2005
D536,259	S	*	2/2007 Herrmann	TW	D109543	3/2006
D537,725	S	*	3/2007 Varlet	TW	D127091	1/2009
D537,728	S	*	3/2007 De Monclin D9/573	TW	D129818	7/2009
D538,675	S	*	3/2007 Dalton D9/573	TW	D129819	7/2009
D542,144	S	*	5/2007 Herrmann D9/560	TW	D130938	9/2009
D542,670	S	*	5/2007 Herrmann	TW	D130939	9/2009
D546,192	S	*	7/2007 Faillant Dumas D9/571	VE	VZ-G005853	11/2001
D549,589	S	*	8/2007 Lavigne D9/573	WO	DM/004579	12/1984
D551,970	S		10/2007 Didier	WO	DM/005398	6/1985
D553,004	S	*	10/2007 Krakoff D9/694	WO	DM/006238	12/1985
D562,689	S	*	2/2008 Antretter D9/544	WO	DM/009199	8/1987
D574,257	S	*	8/2008 Zeidan	WO	DM/010854	8/1988
D575,163	S	*	8/2008 Venturini Fendi D9/636	WO	DM/023524	3/1992
D576,052	S	*	9/2008 Lloyd et al.	WO	DM/022639	4/1992
D585,754	S	*	2/2009 McGregor et al.	WO	DM/022681	4/1992
D587,596	S		3/2009 Lloyd	WO	DM/027462	11/1992
D588,469	S	*	3/2009 Pininfarina D9/687	WO	DM/026410	6/1993
D600,133	S		9/2009 Friedman et al.	WO	DM/027893	11/1993
D602,787	S	*	10/2009 Gaultier D9/572	WO	DM/029010	3/1994
D604,629	S		11/2009 Aebi	WO	DM/037964	10/1996
D606,415	S		12/2009 Lavigne et al.	WO	DM/040264	5/1997
D610,916	S		3/2010 Yeung et al.	WO	DM/049392	12/1999
D612,259	S	*	3/2010 Legros D9/566	WO	DM/054858	3/2001
D619,470	S	*	7/2010 Zeidan D9/544	WO	DM/059582	5/2002
D620,804	S		8/2010 Bogert et al.	WO	DM/063814	7/2003
D625,612	S	*	10/2010 Papiernik D9/693	WO	DM/063943	8/2003
D628,489	S	*	12/2010 Caten et al. D9/523	WO	DM/065115	4/2004
D631,754	S	*	2/2011 De Monclin D9/651	WO	DM/065442	12/2004
D632,969	S		2/2011 Monteparo et al.	WO	DM/067372	6/2006
D633,806	S		3/2011 Lecoule	WO	DM/067372	6/2006
				WO	DM/061531	8/2007
				WO	DM/070289	7/2008
				WO	DM/070531	9/2008

FOREIGN PATENT DOCUMENTS

AU	300511	*	1/2005
AU	327645		9/2009

* cited by examiner

FIG. 1

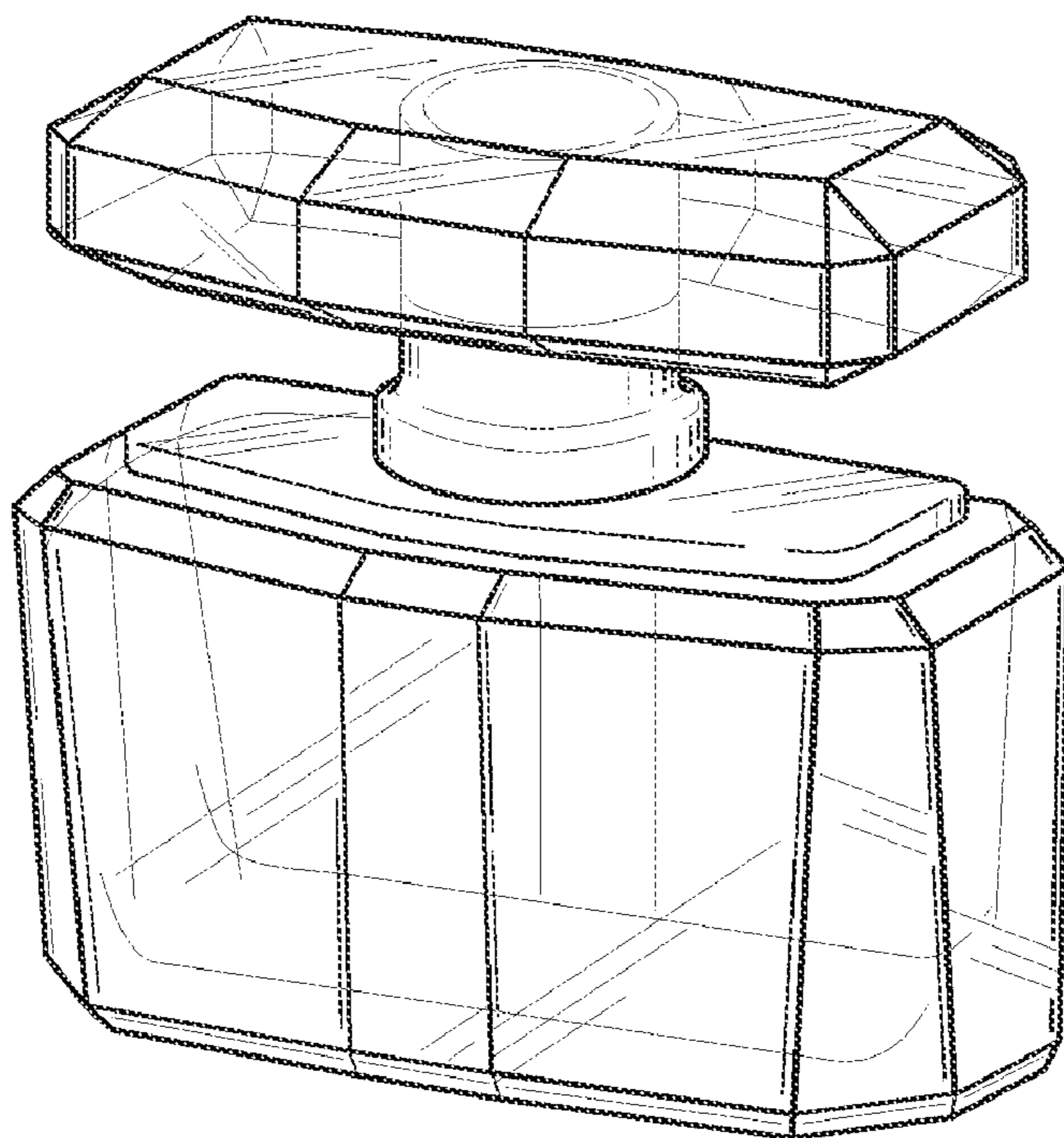


FIG. 2

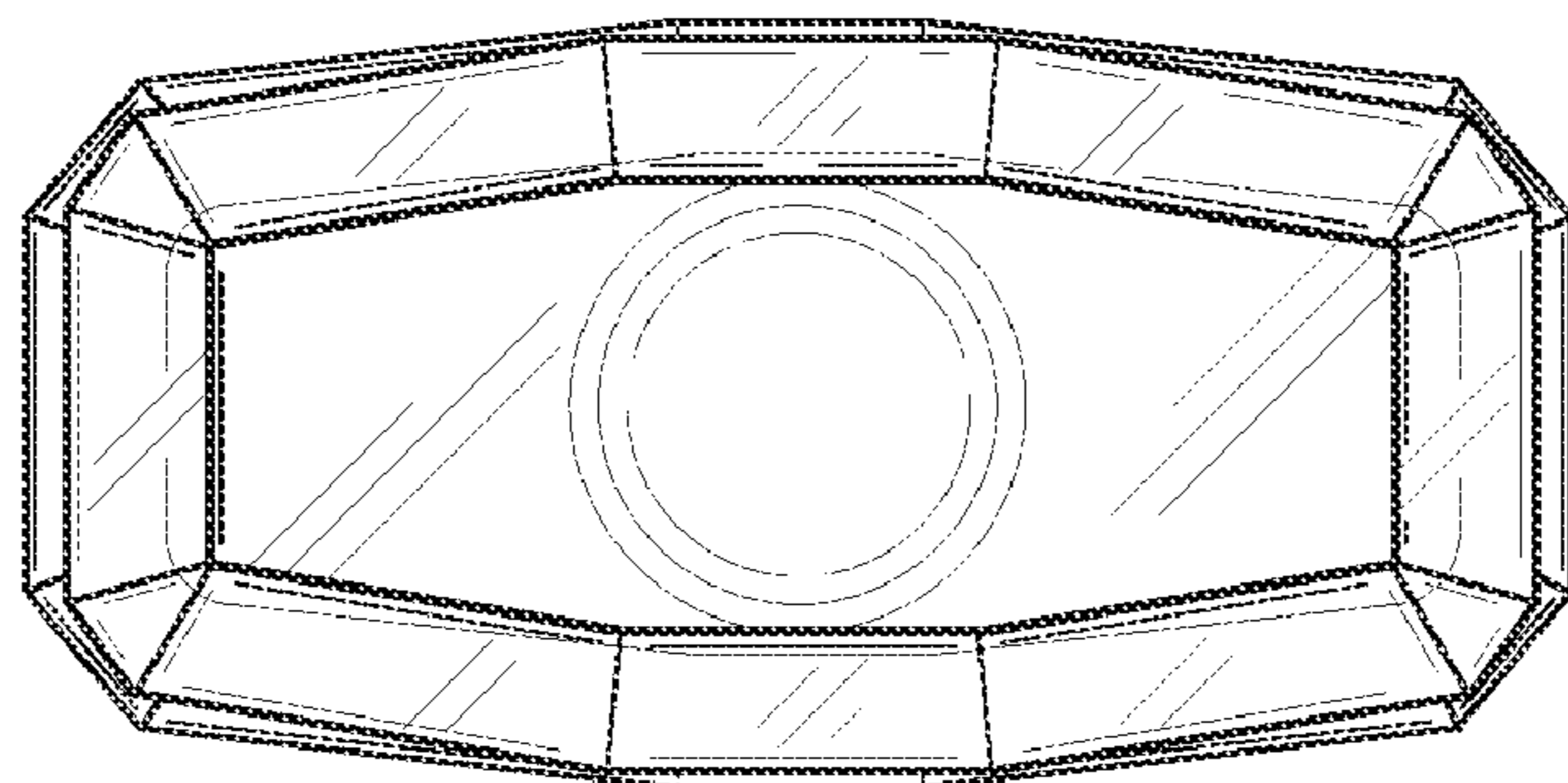


FIG. 3

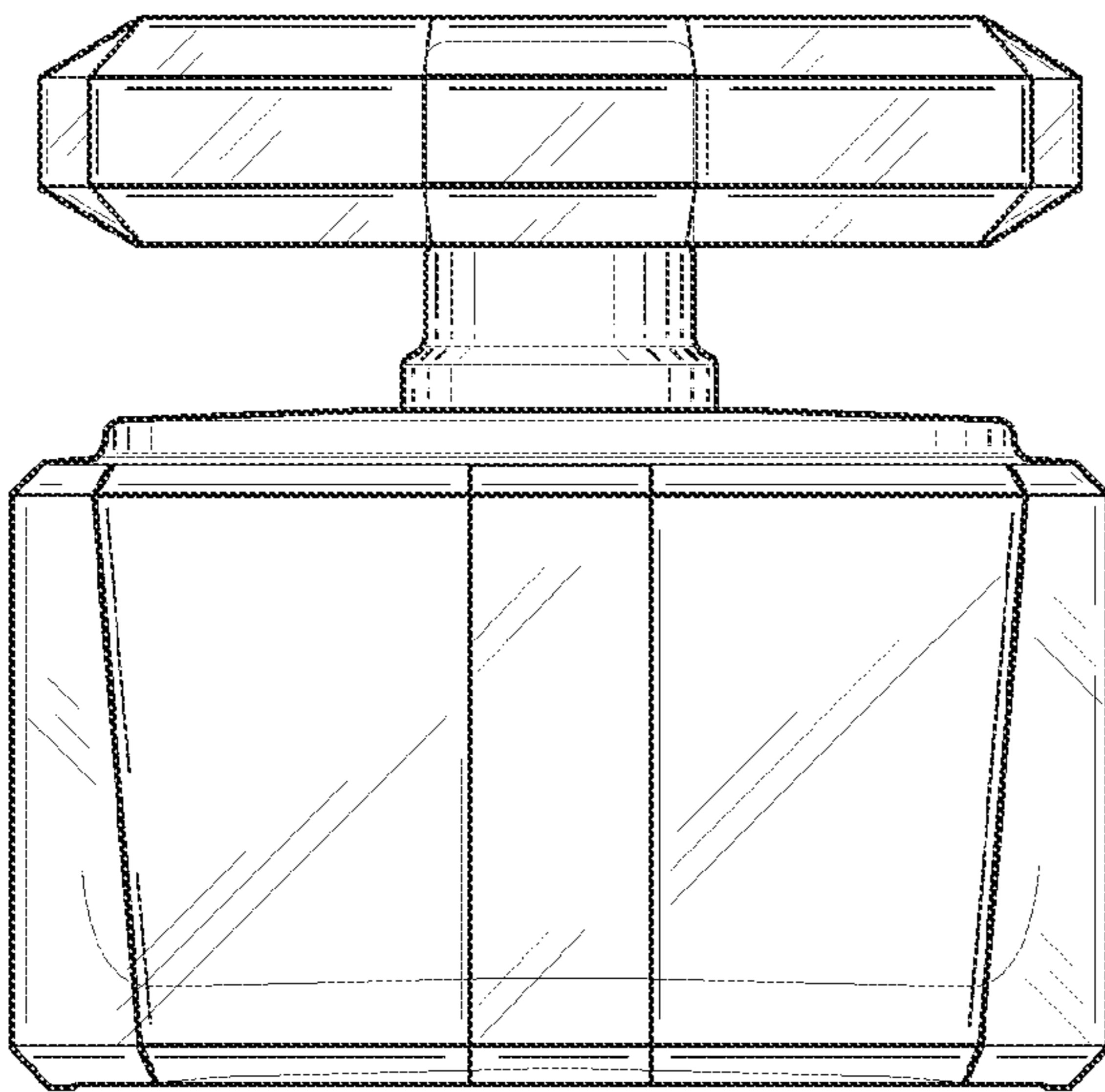


FIG. 4

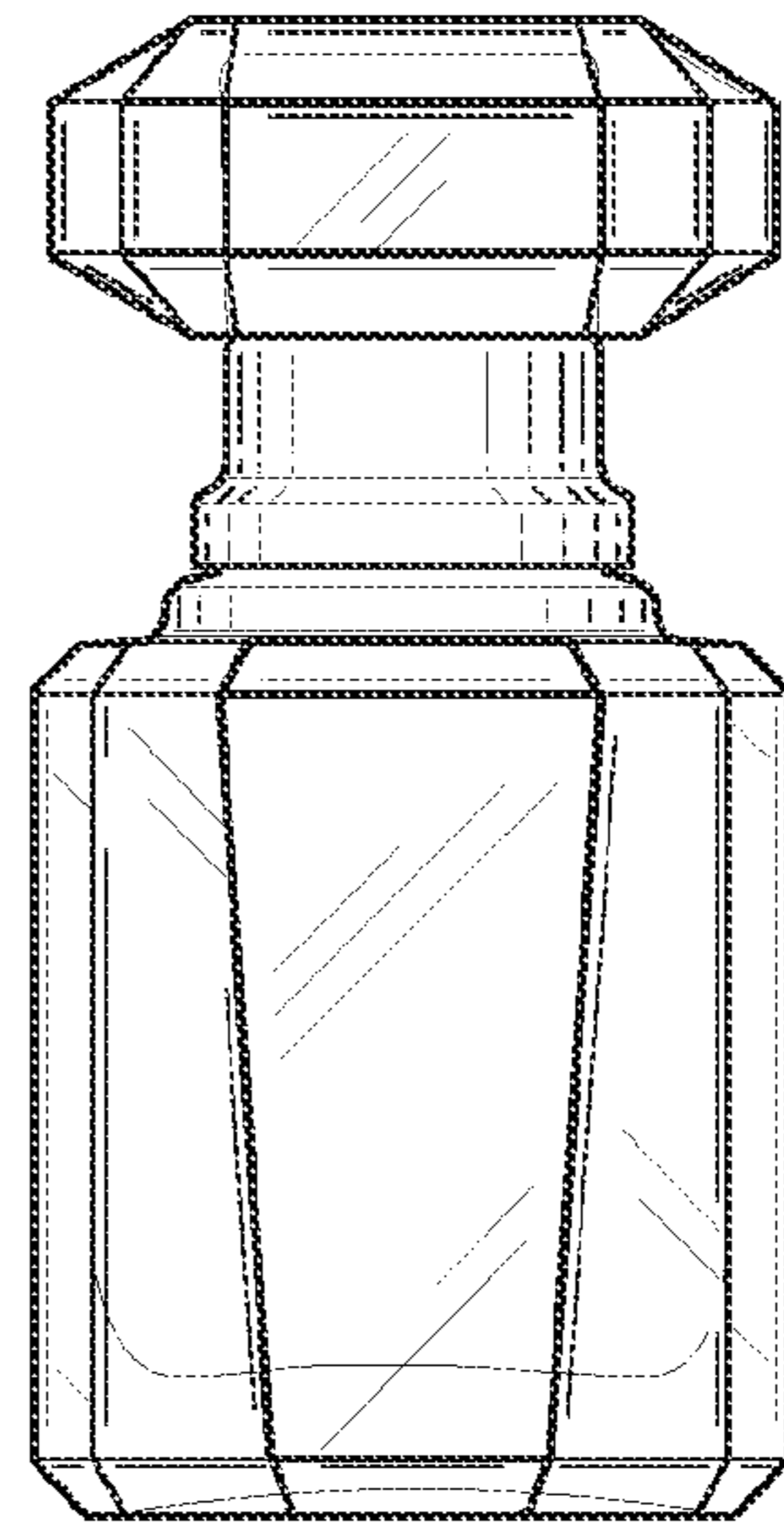


FIG. 5

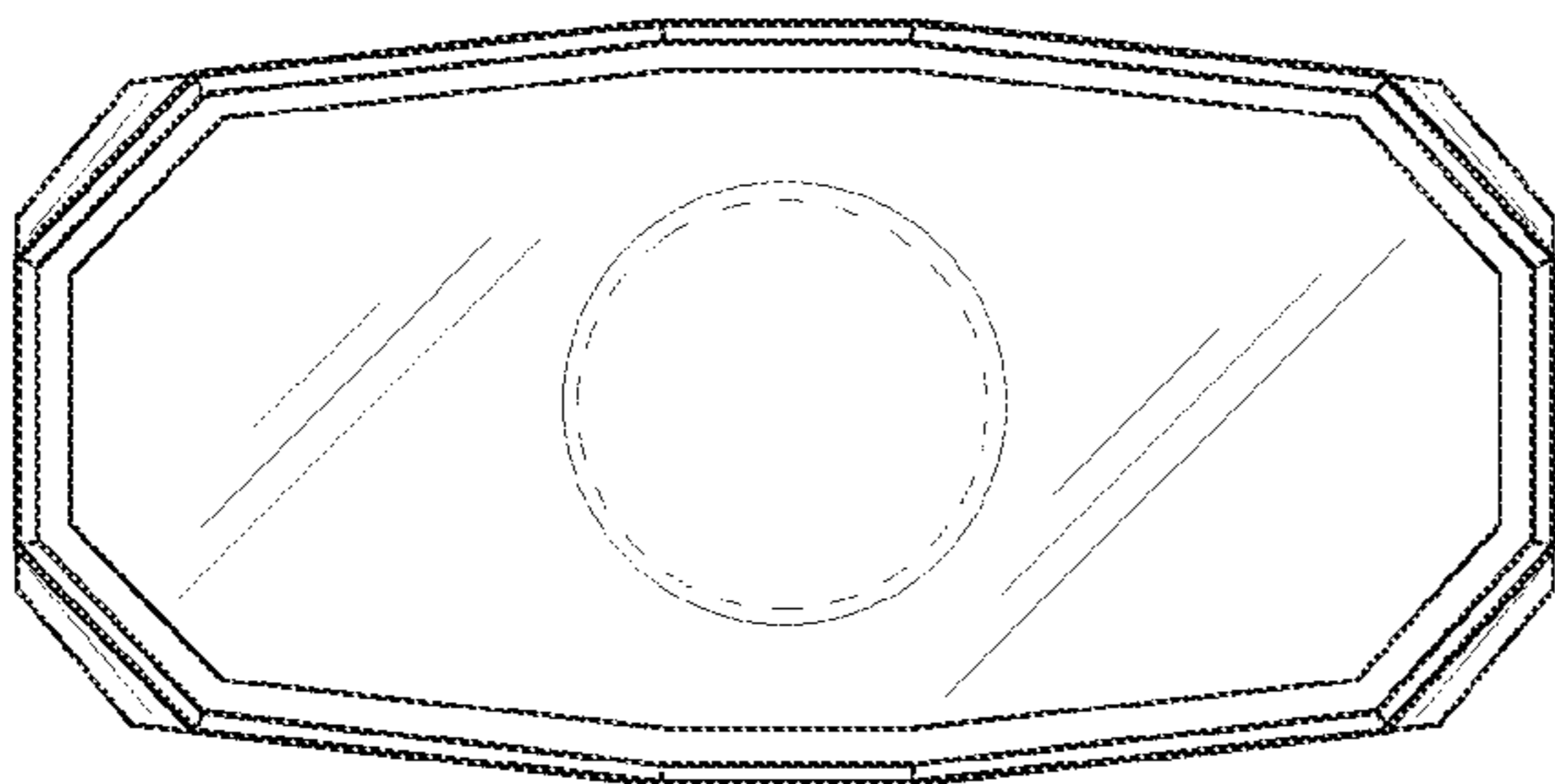


FIG. 6

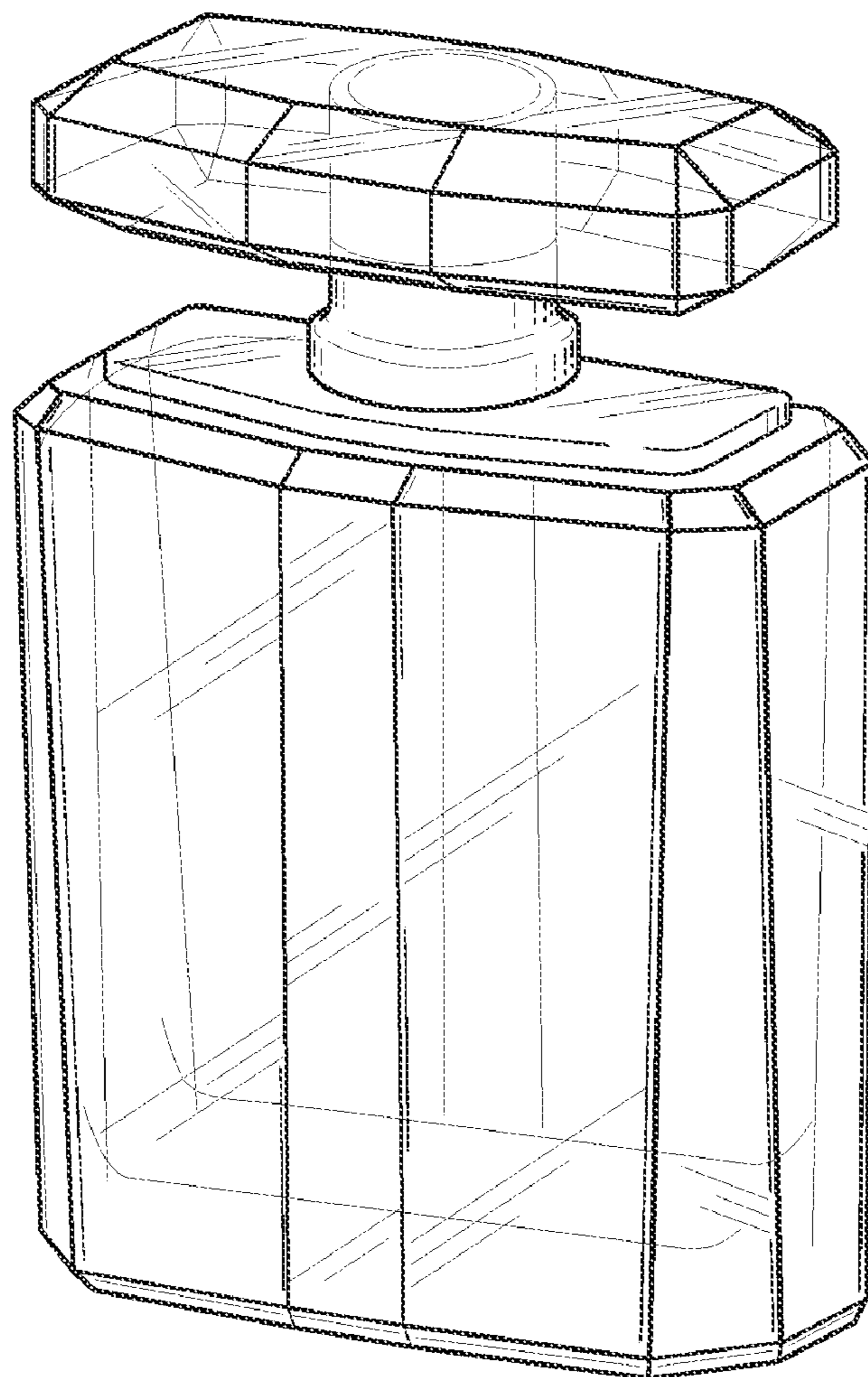


FIG. 7

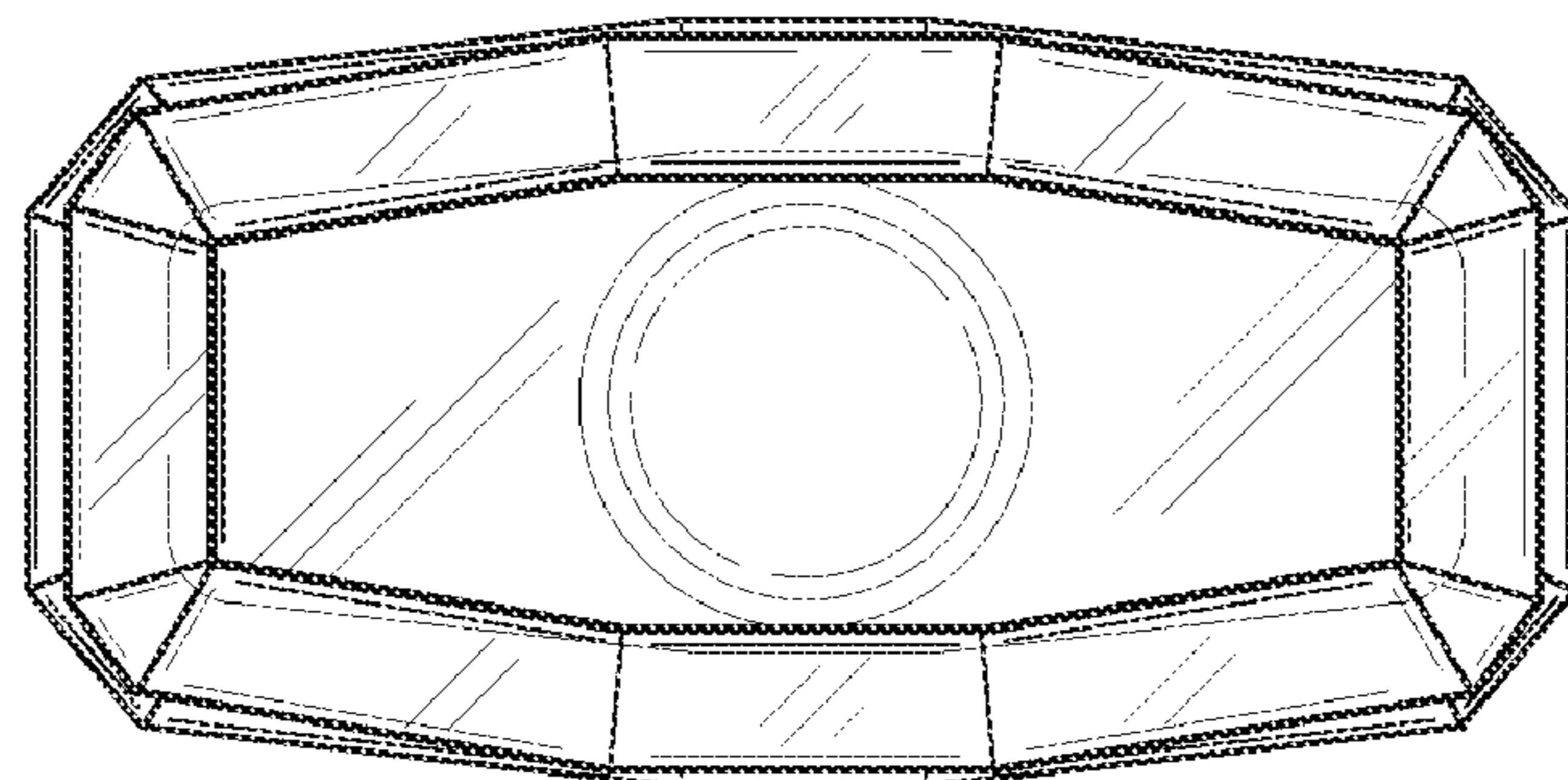


FIG. 8

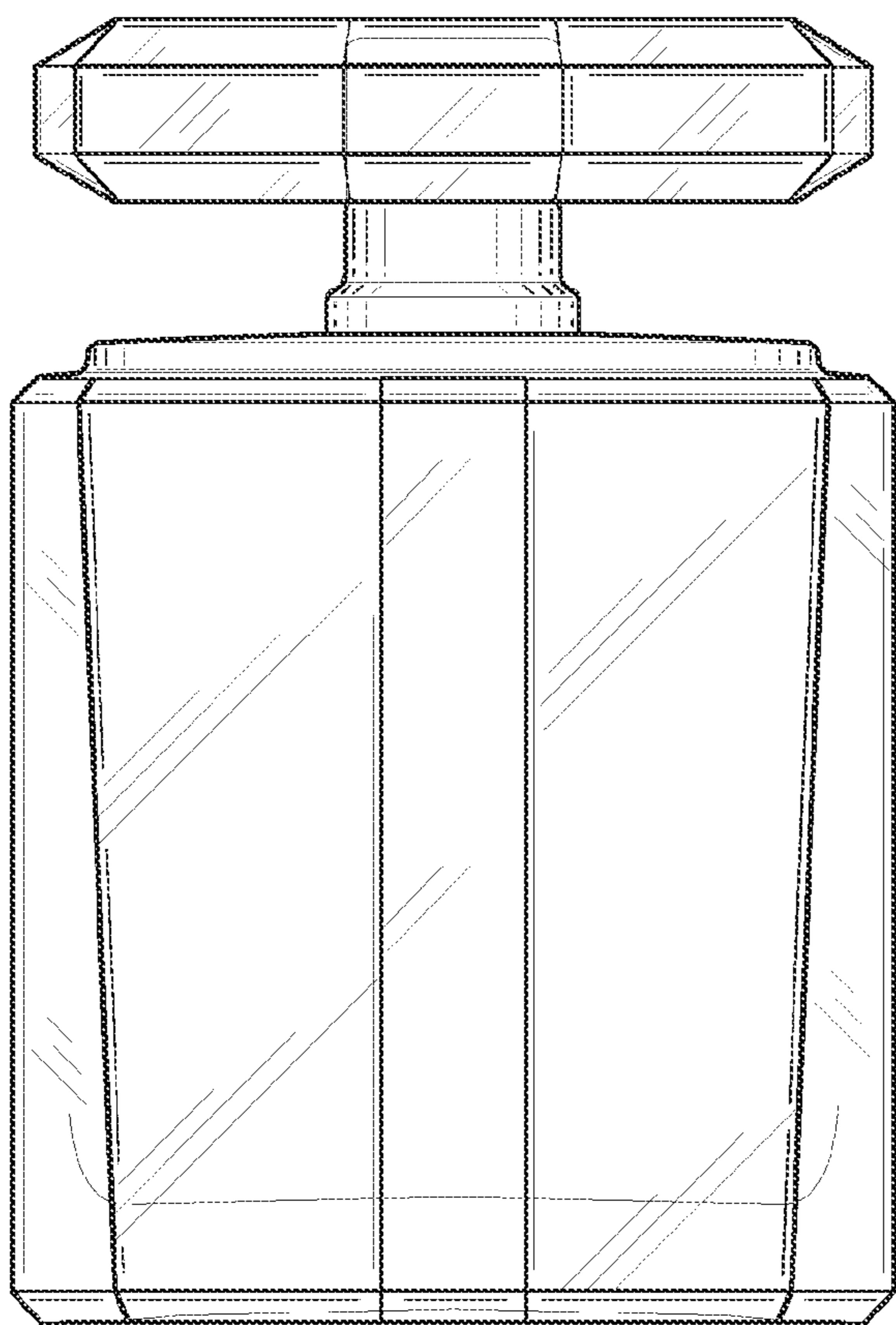


FIG. 9

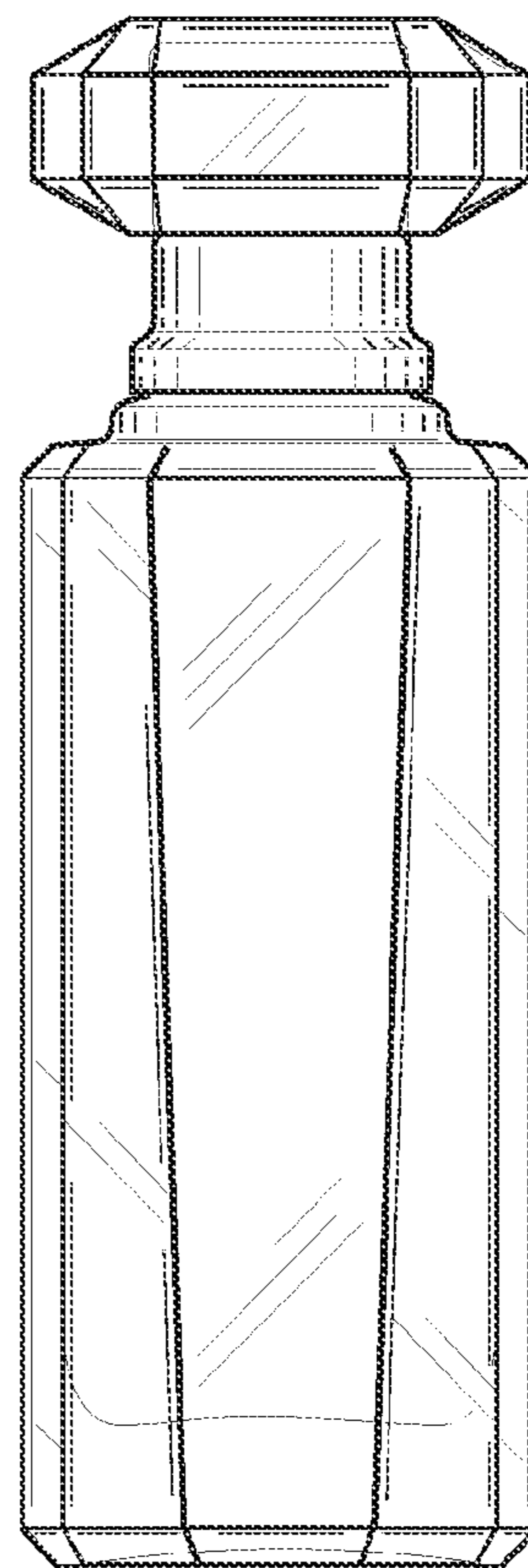


FIG. 10

