



US00D639660S

(12) **United States Design Patent**
Carreno

(10) **Patent No.:** **US D639,660 S**

(45) **Date of Patent:** **** Jun. 14, 2011**

(54) **BOTTLE**

(75) **Inventor:** **Alfredo Carreno**, Greece, NY (US)

(73) **Assignee:** **Thermos L.L.C.**, Rolling Meadows, IL
(US)

(**) **Term:** **14 Years**

(21) **Appl. No.:** **29/350,865**

(22) **Filed:** **Nov. 24, 2009**

(51) **LOC (9) Cl.** **09-01**

(52) **U.S. Cl.** **D9/504; D9/449**

(58) **Field of Classification Search** D9/500,
D9/502-505, 529, 537, 539, 549, 682, 686,
D9/688-692, 772, 776-780, 435, 446, 449;
D7/510-511, 300, 300.1, 605, 608, 590-591,
D7/598, 679; D24/224; 215/379, 381-382,
215/384; 220/660, 662, 669, 675

See application file for complete search history.

(56) **References Cited**

U.S. PATENT DOCUMENTS

| | | | |
|--------------|---------|-------------------|--------|
| D379,714 S * | 6/1997 | Cerny et al. | D3/264 |
| D537,721 S * | 3/2007 | Kertels | D9/504 |
| D592,012 S * | 5/2009 | Carreno | D7/510 |
| D629,657 S * | 12/2010 | Carreno | D7/629 |

* cited by examiner

Primary Examiner — Ian Simmons

Assistant Examiner — Dana L Sipos

(74) *Attorney, Agent, or Firm* — Wood, Phillips, Katz, Clark & Mortimer

(57) **CLAIM**

The ornamental design for a bottle, as shown and described.

DESCRIPTION

FIG. 1 is a perspective view from above and to the right rear of the bottle embodying the ornamental design;
FIG. 2 is a perspective view from below and to the left front of the bottle;
FIG. 3 is a front elevation view of the bottle;
FIG. 4 is a right side elevation view of the bottle, with the left side elevation view being a mirror image;
FIG. 5 is a back elevation view of the bottle;
FIG. 6 is a top view of the bottle; and,
FIG. 7 is a bottom view of the bottle.

1 Claim, 3 Drawing Sheets

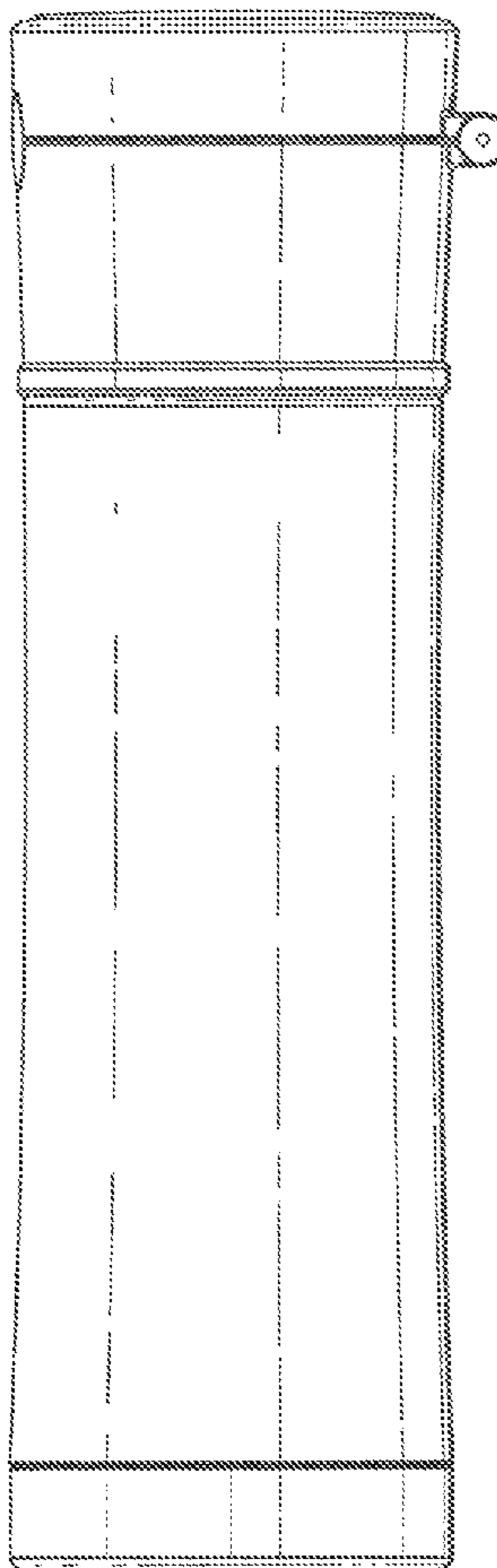
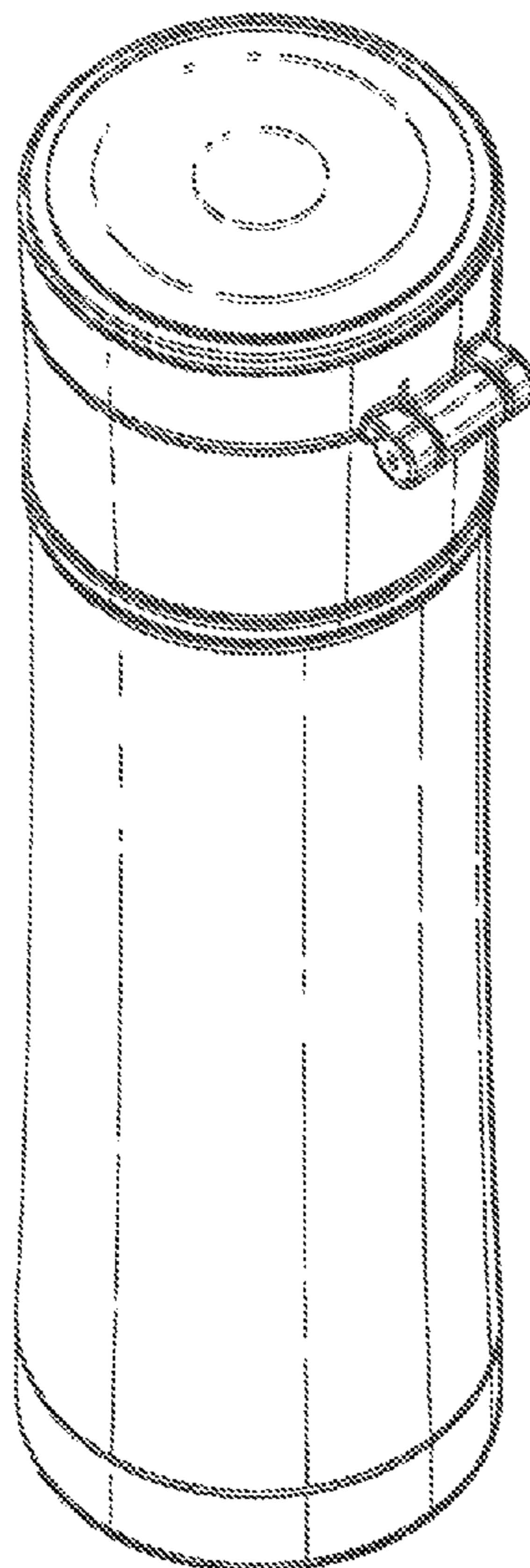


Fig. 1

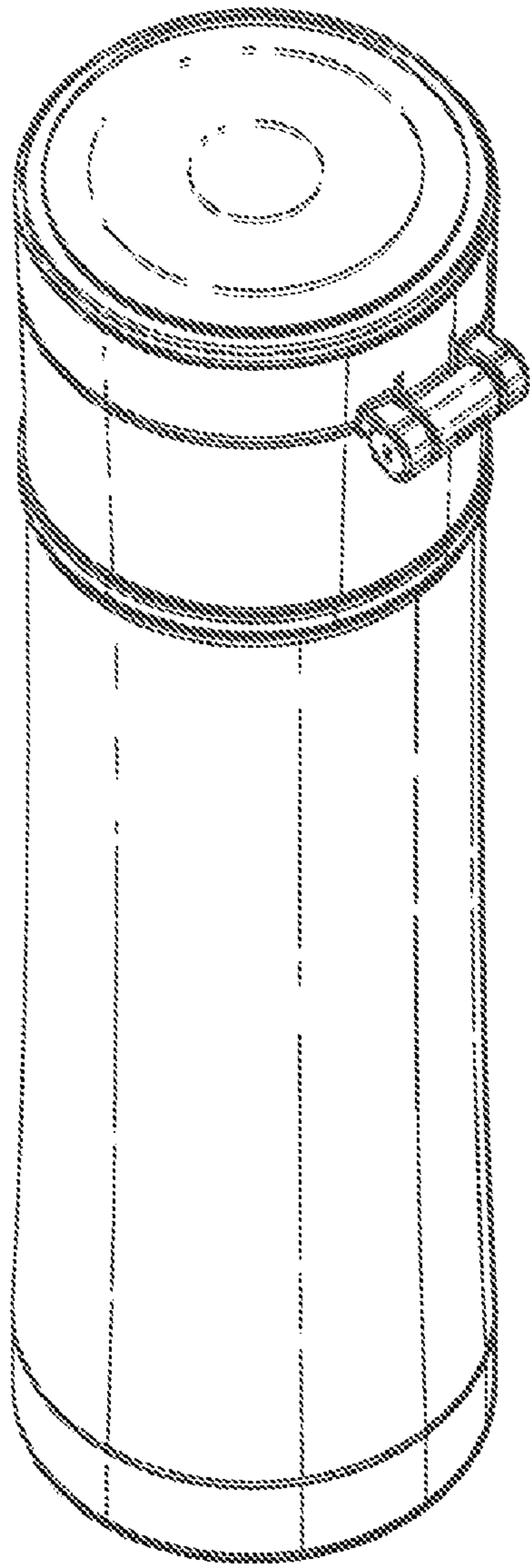


Fig. 2

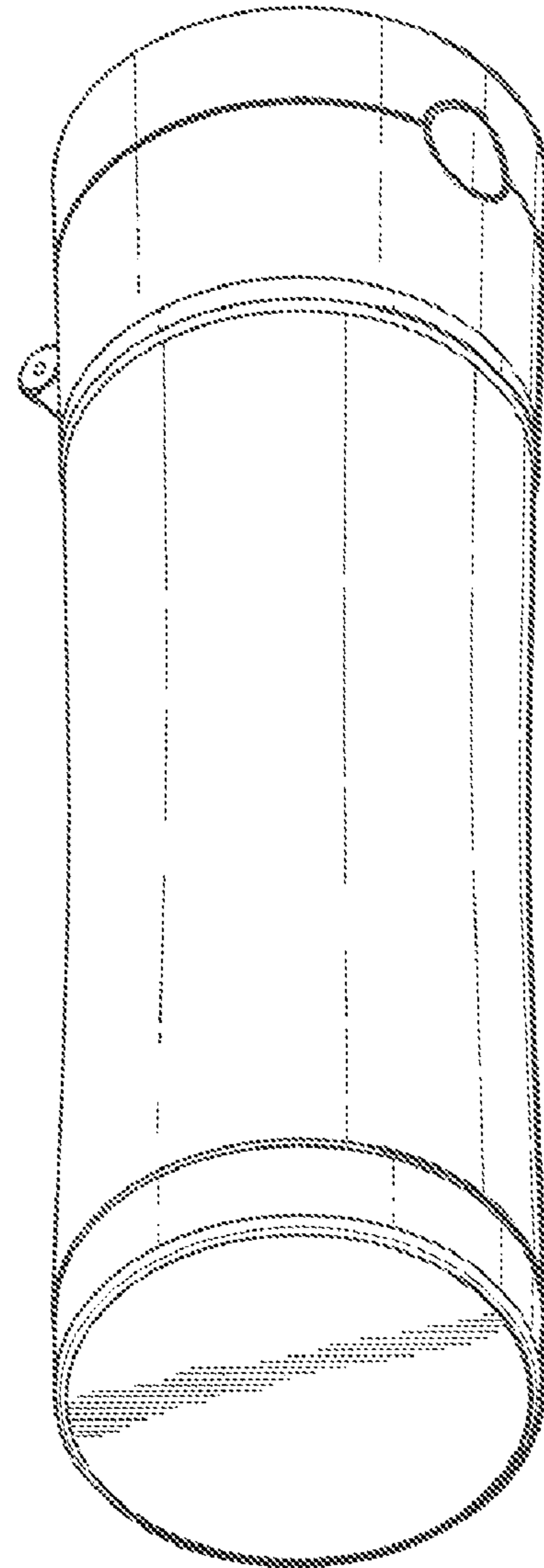


Fig. 3

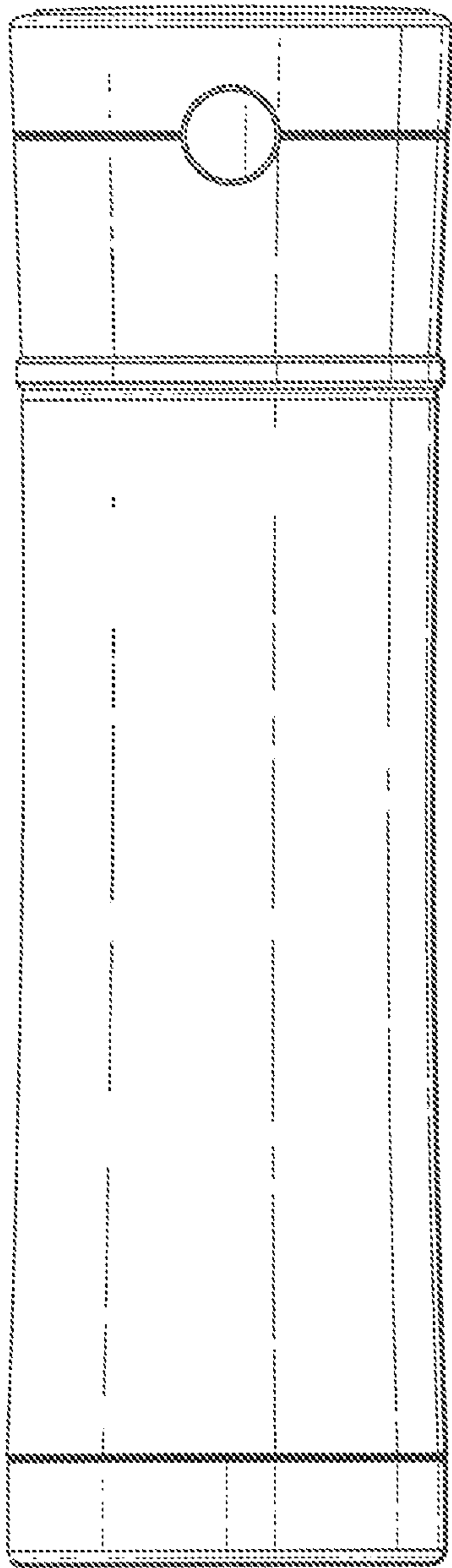


Fig. 4

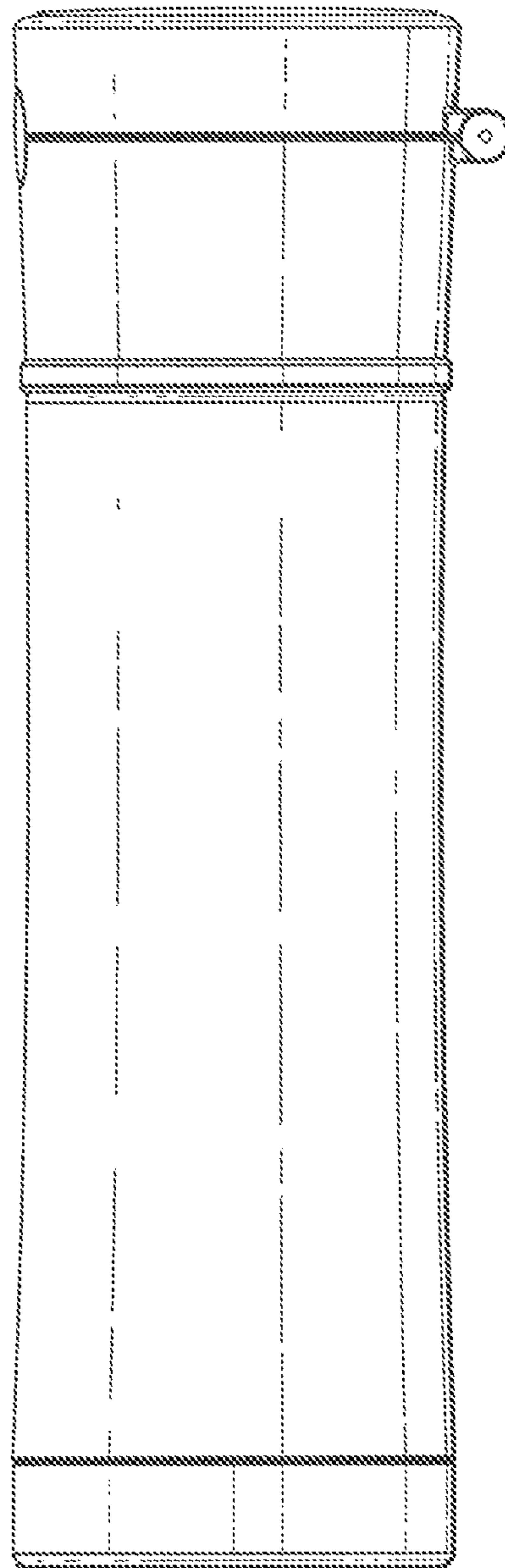


Fig. 5

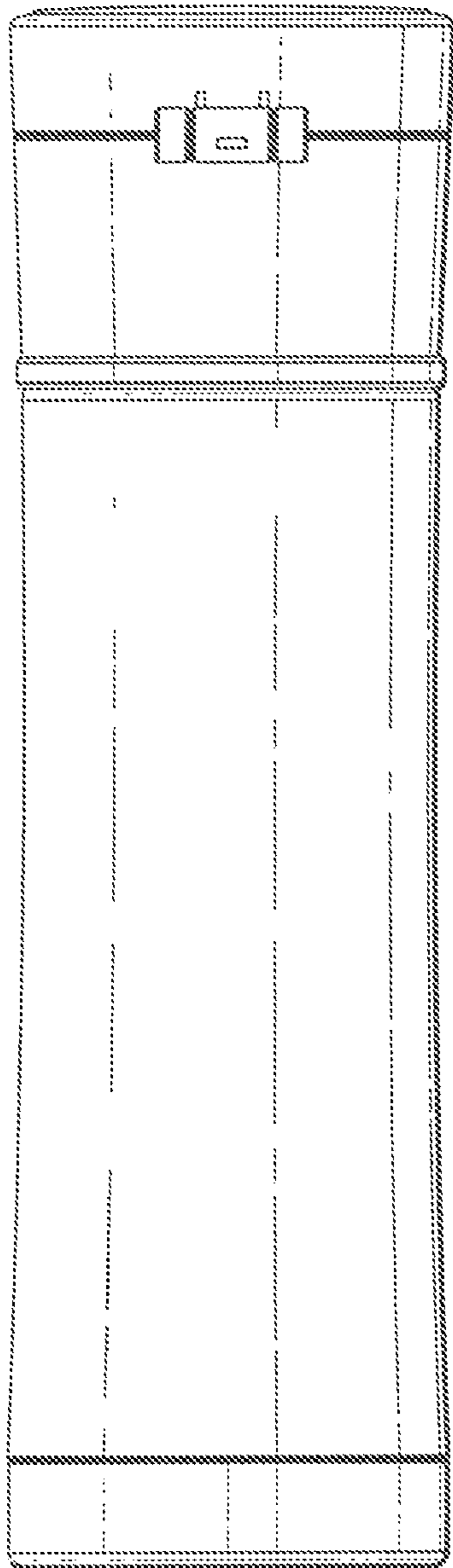


Fig. 6

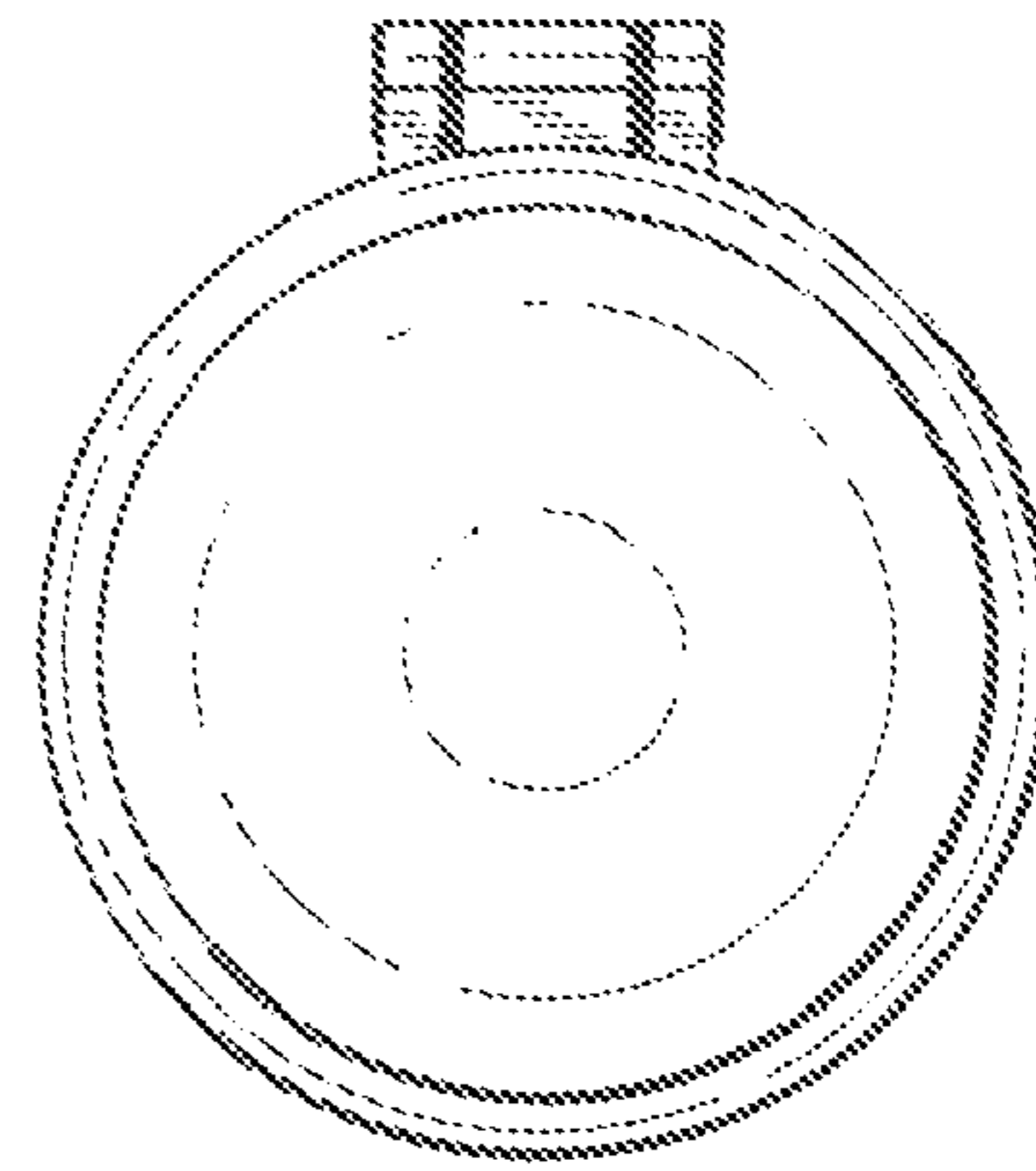


Fig. 7

