



US00D639658S

(12) **United States Design Patent**  
**Yacht**

(10) **Patent No.:** **US D639,658 S**  
(45) **Date of Patent:** **\*\* Jun. 14, 2011**

(54) **LID FOR A CANDY CONTAINER**

(75) Inventor: **Steve Yacht**, Toronto (CA)

(73) Assignee: **Big Sky Brands, Inc.** (CA)

(\*\*) Term: **14 Years**

(21) Appl. No.: **29/352,259**

(22) Filed: **Dec. 18, 2009**

(51) **LOC (9) Cl.** ..... **09-07**

(52) **U.S. Cl.** ..... **D9/449; D9/447**

(58) **Field of Classification Search** ..... 215/305,  
215/306, 322; 220/260, 375, 810, 811; 222/492,  
222/494, 521; D9/423, 438, 443, 446, 447,  
D9/449, 450, 453, 529, 560, 738; D7/392.1  
See application file for complete search history.

(56) **References Cited**

**U.S. PATENT DOCUMENTS**

3,872,996	A *	3/1975	Dogliotti	.....	220/254.7
4,487,328	A *	12/1984	Wilcox et al.	.....	220/241
4,538,731	A *	9/1985	Cillario	.....	206/540
D479,420	S *	9/2003	White et al.	.....	D6/518
D527,255	S *	8/2006	Liebe et al.	.....	D9/440
D530,606	S *	10/2006	Liebe et al.	.....	D9/440
D539,647	S *	4/2007	Solowiejko	.....	D9/447
D540,162	S *	4/2007	Chin et al.	.....	D9/417
D556,056	S *	11/2007	Thomas et al.	.....	D9/738
D562,131	S *	2/2008	Wichowski	.....	D9/440
D592,966	S *	5/2009	Nissen	.....	D9/560
2006/0231518	A1 *	10/2006	Suffa	.....	215/237
2009/0101645	A1 *	4/2009	Wilson et al.	.....	220/254.2

\* cited by examiner

*Primary Examiner* — Susan Bennett Hattan

(74) *Attorney, Agent, or Firm* — Waddey & Patterson, P.C.;  
Ryan D. Levy

(57) **CLAIM**

What is claimed is the ornamental design for a lid for a candy container, as shown and described.

**DESCRIPTION**

FIG. 1 is a top perspective view of the lid for a candy container of Applicant's invention.

FIG. 2 is a top view of the lid for a candy container of Applicant's invention.

FIG. 3 is a front view of the lid for a candy container of Applicant's invention.

FIG. 4 is a side view of the lid for a candy container of Applicant's invention.

FIG. 5 is a bottom view of the lid for a candy container of Applicant's invention.

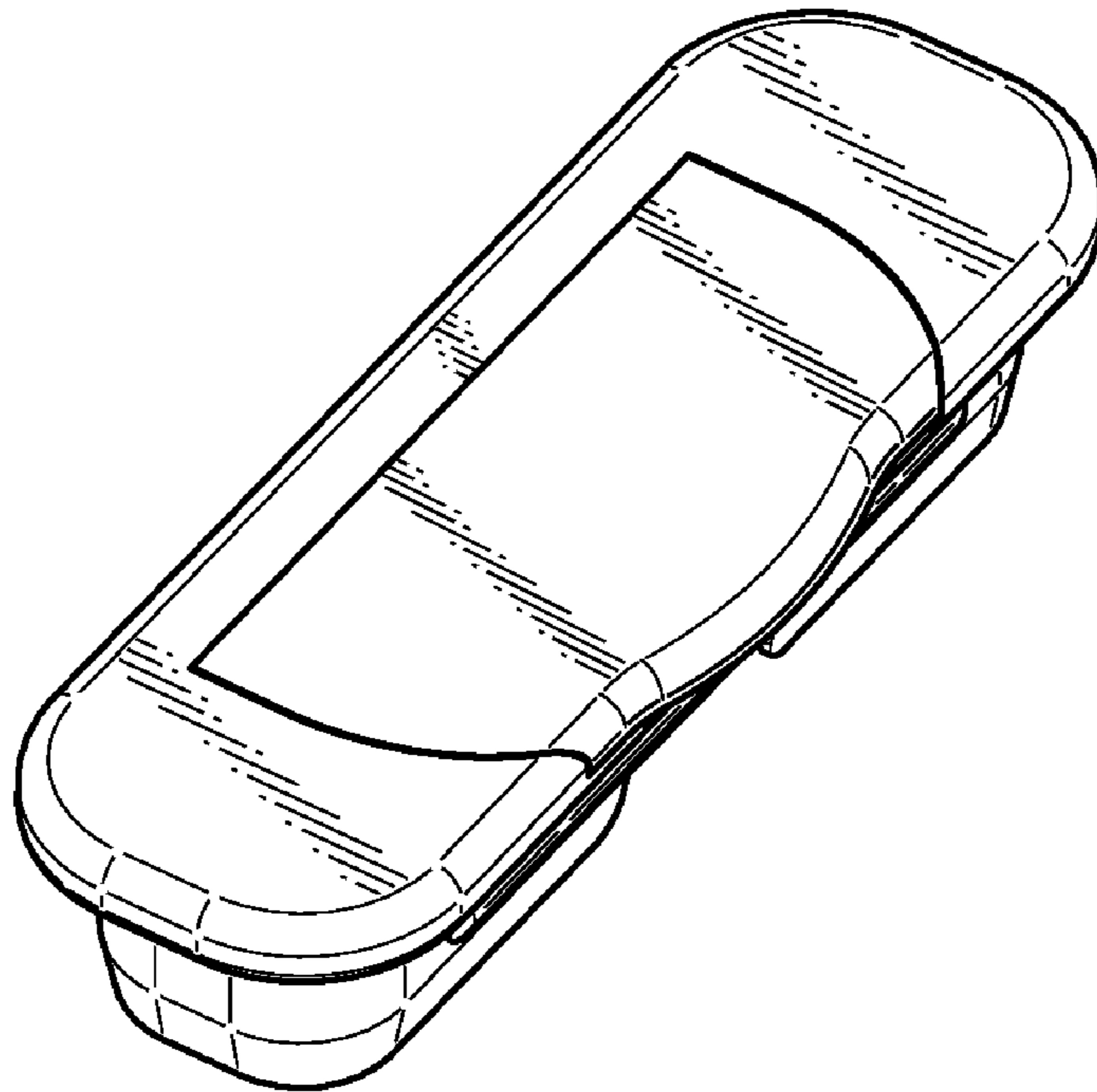
FIG. 6 is a back view of the lid for a candy container of Applicant's invention.

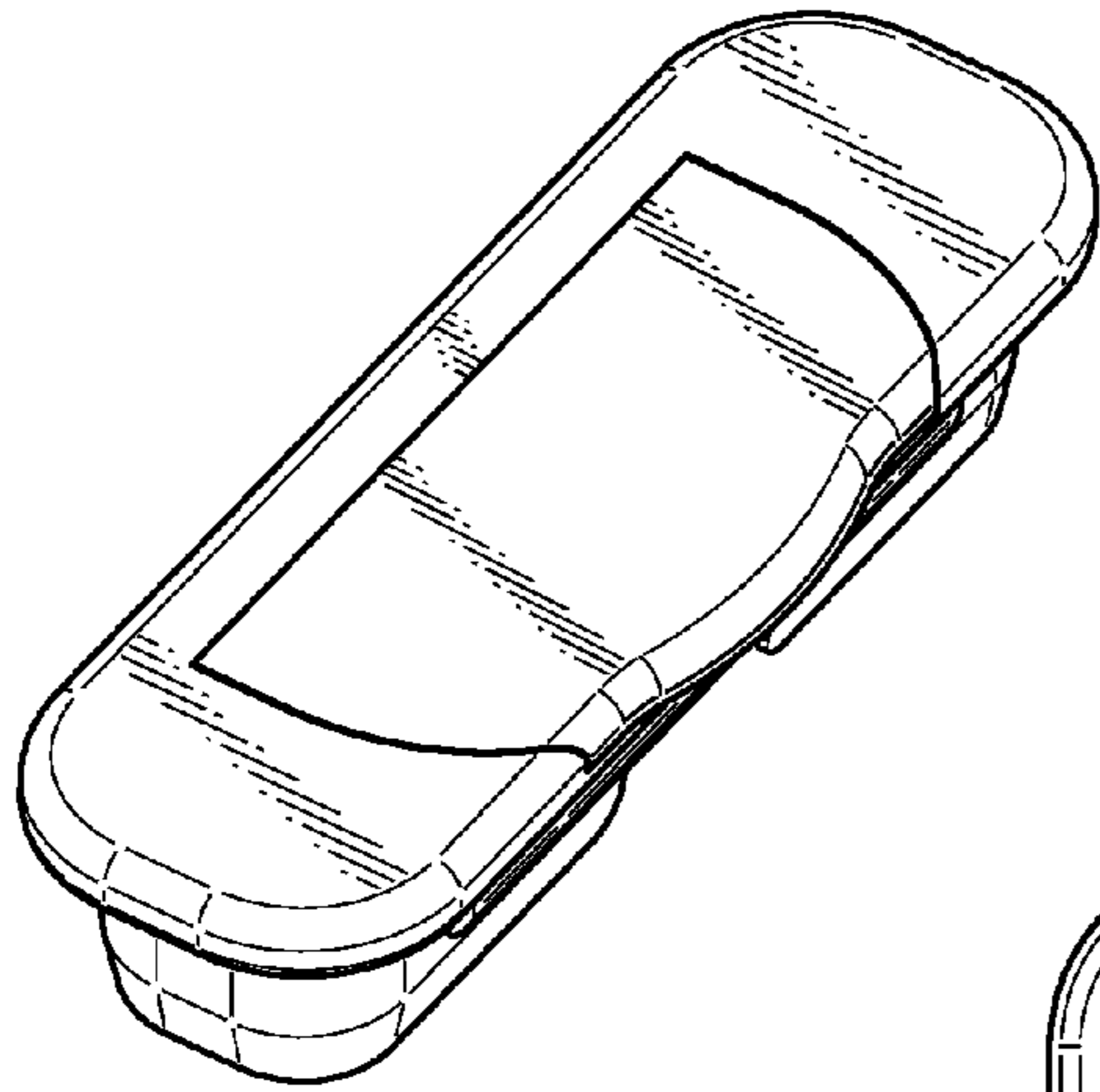
FIG. 7 is a top perspective view showing the lid for a candy container of Applicant's invention in reference to a container.

FIG. 8 is a top perspective view of the lid for a candy container of Applicant's invention with the lid open; and,

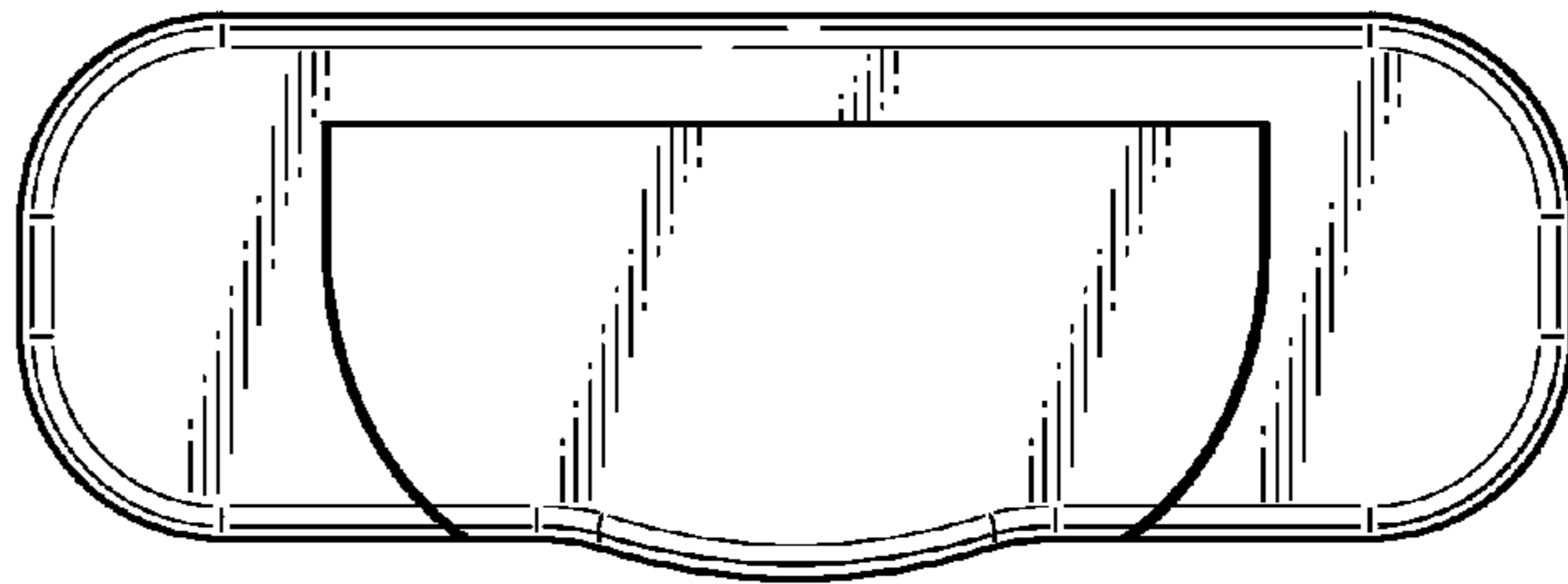
FIG. 9 is a top perspective view showing the lid for a candy container of Applicant's invention in reference to a container with the lid open.

**1 Claim, 2 Drawing Sheets**

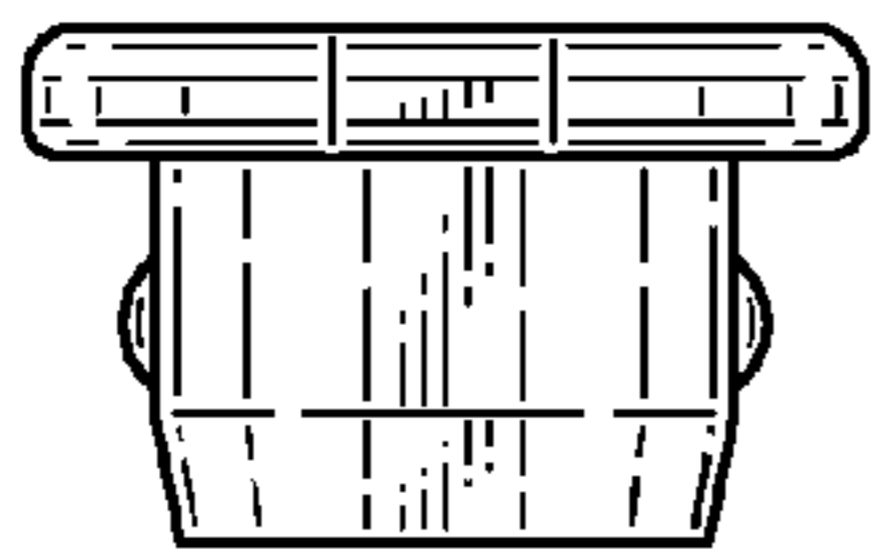




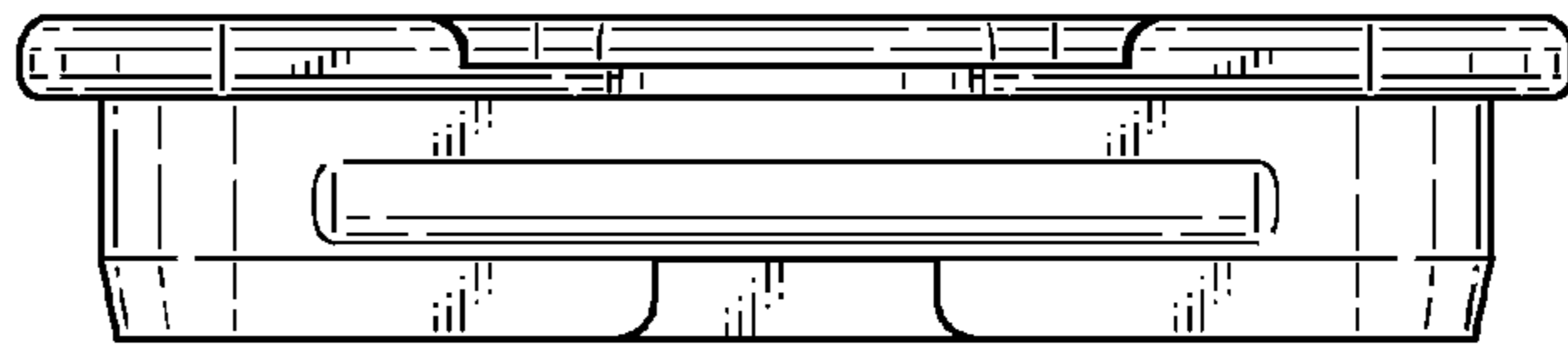
*FIG. 1*



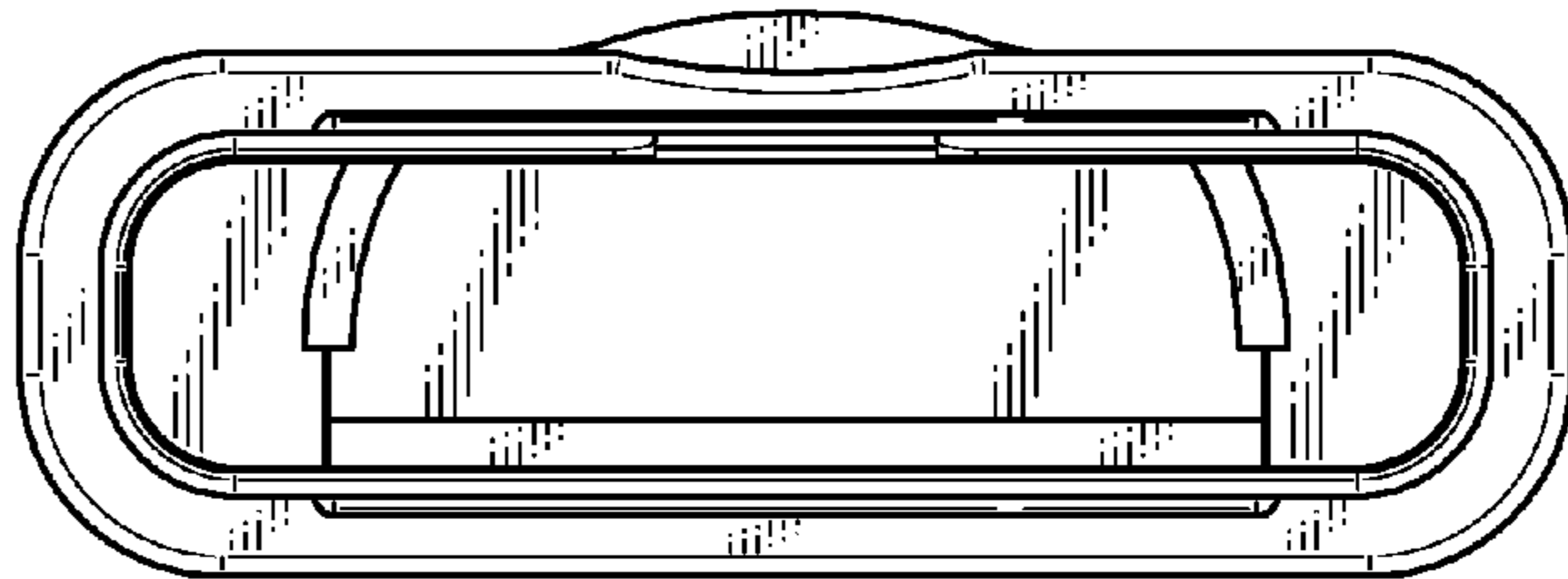
*FIG. 2*



*FIG. 4*



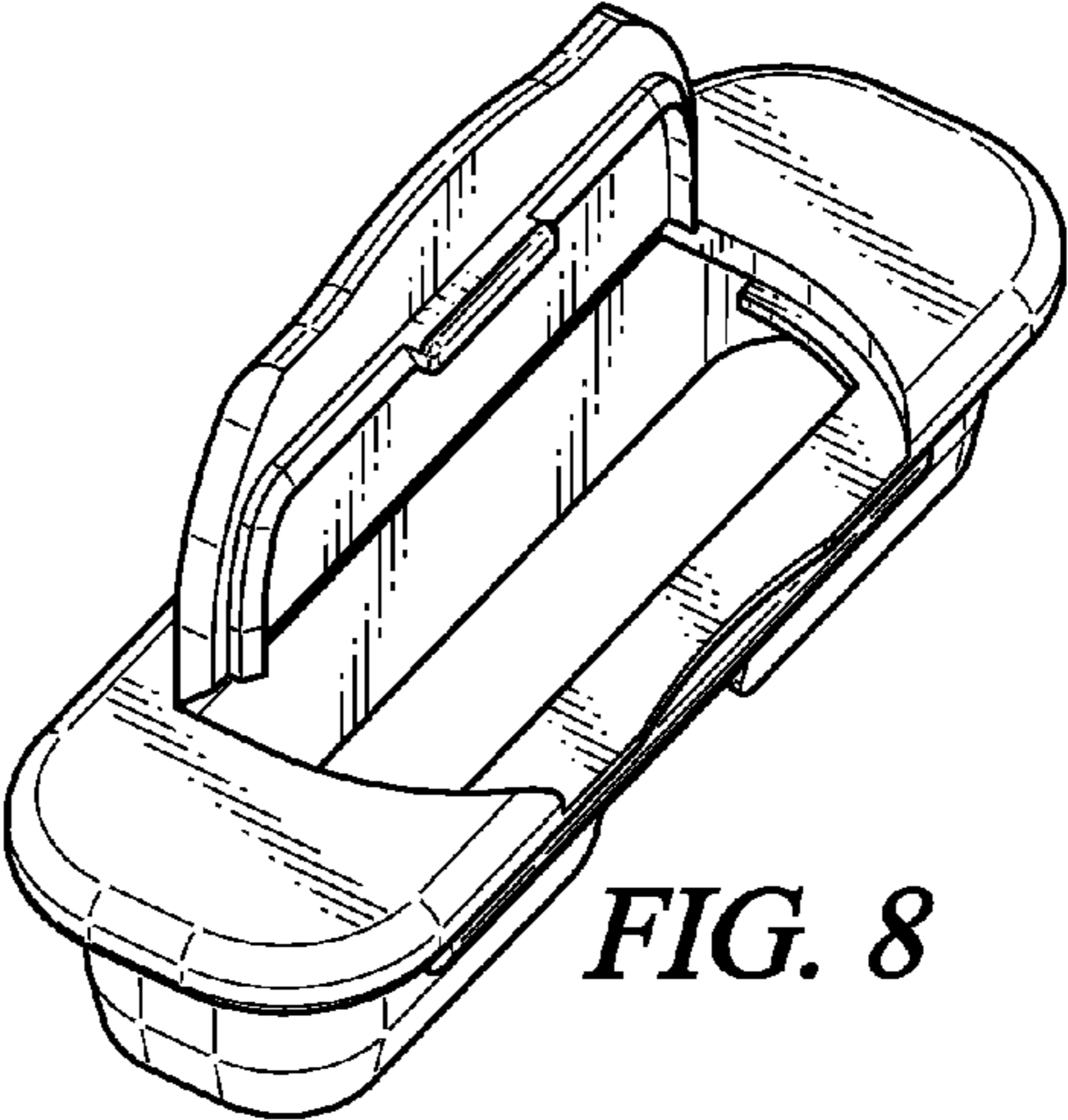
*FIG. 3*



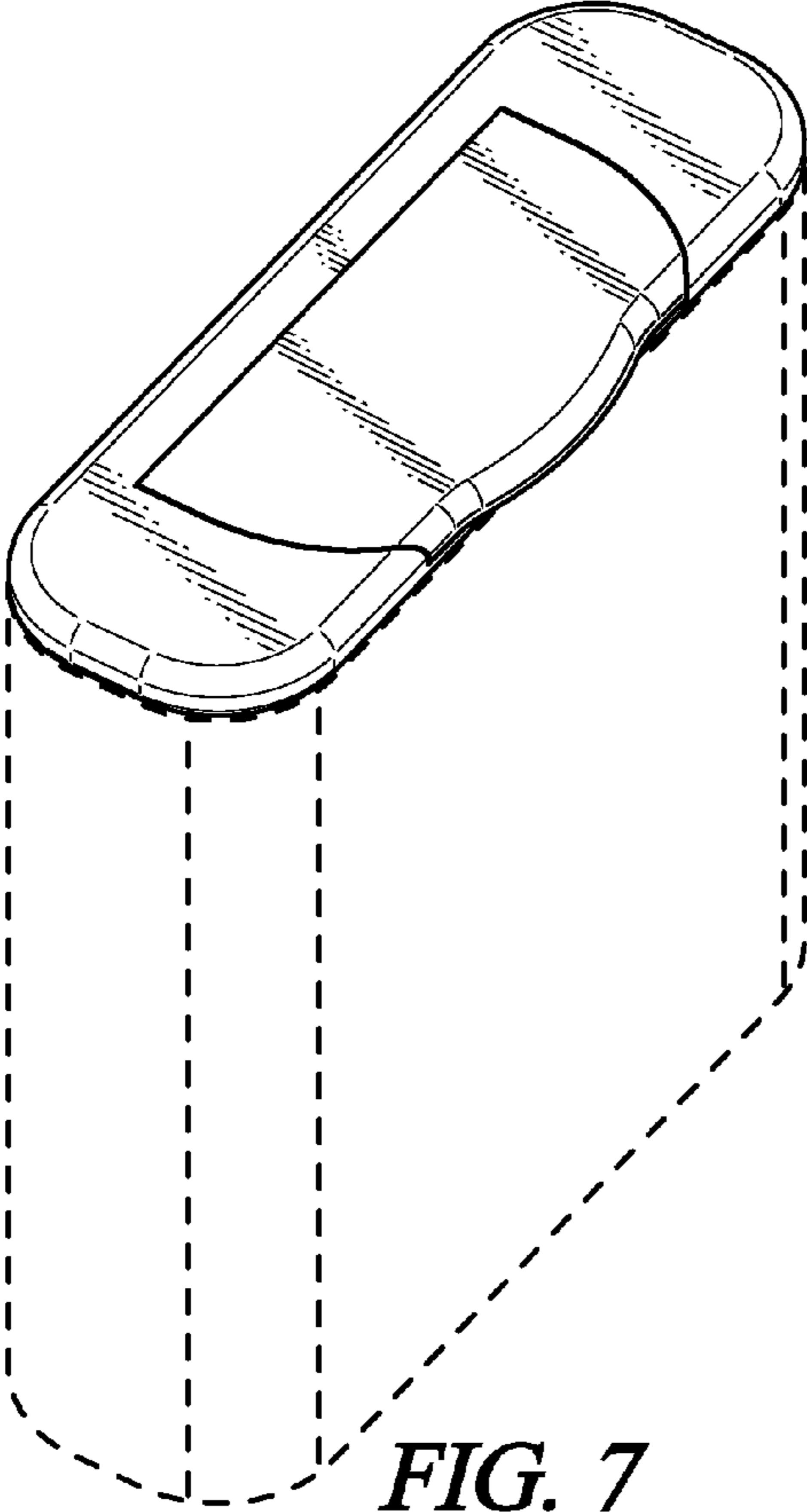
*FIG. 5*



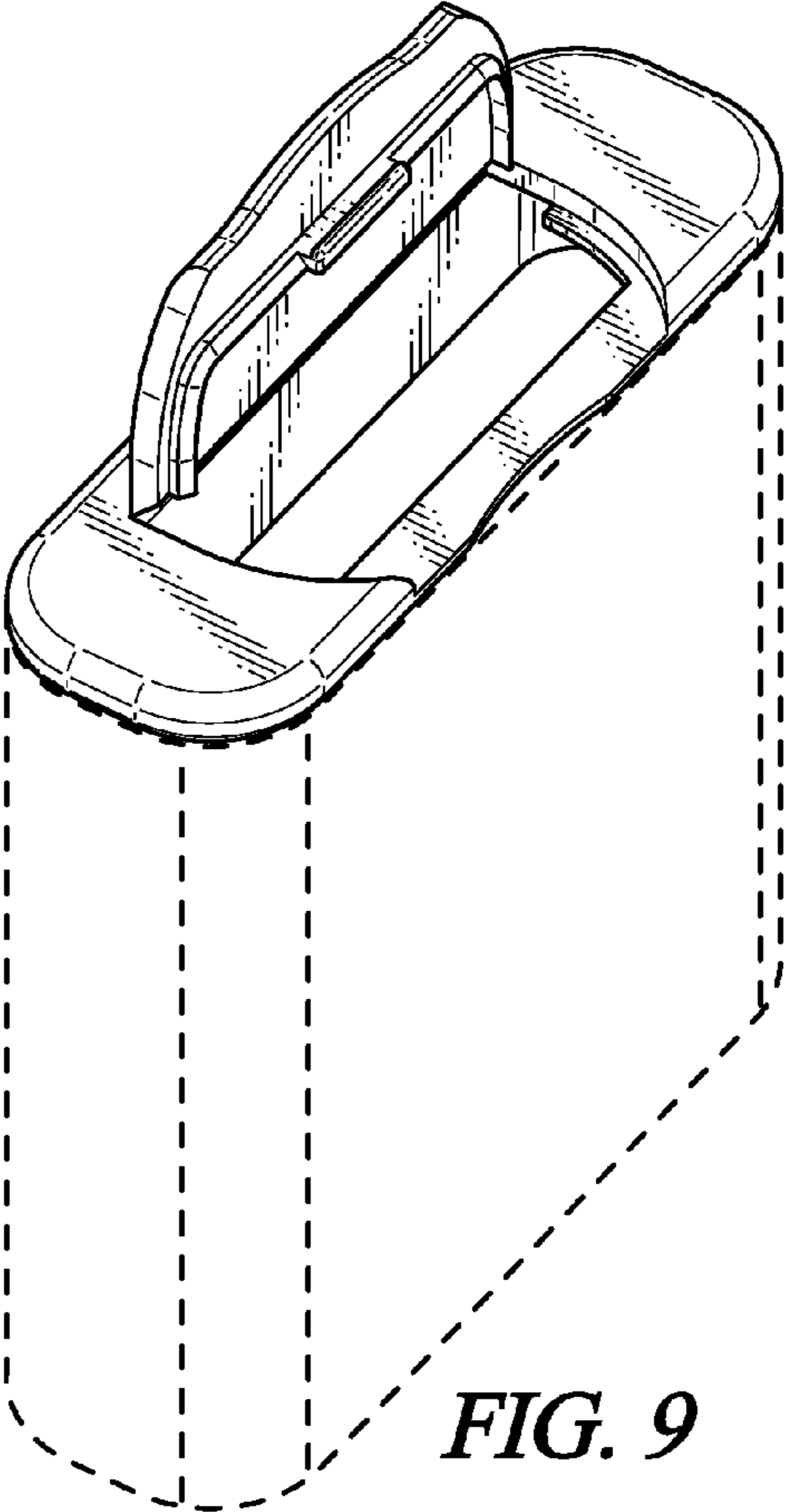
*FIG. 6*



*FIG. 8*



*FIG. 7*



*FIG. 9*