



US00D639657S

(12) **United States Design Patent**
Hoyt et al.

(10) **Patent No.:** **US D639,657 S**

(45) **Date of Patent:** **** Jun. 14, 2011**

(54) **BOTTLE STOPPER**

(76) Inventors: **Robert Q. Hoyt**, Los Angeles, CA (US);
Chase H. Hoyt, Los Angeles, CA (US)

(**) Term: **14 Years**

(21) Appl. No.: **29/358,170**

(22) Filed: **Mar. 23, 2010**

(51) **LOC (9) Cl.** **09-07**

(52) **U.S. Cl.** **D9/439**

(58) **Field of Classification Search** D9/656,
D9/635, 565, 454, 452, 451, 447, 446, 441,
D9/440, 439, 435; D7/399, 396, 396.5, 395,
D7/393, 392.1, 387, 321, 300.2; D24/130,
D24/129; D21/713; 222/529, 478, 153.06;
220/825, 276, 254.8, 254.4; 215/364, 356,
215/355, 230

See application file for complete search history.

(56) **References Cited**

U.S. PATENT DOCUMENTS

D34,955 S *	8/1901	Thatcher	D9/439
2,921,708 A *	1/1960	Marcel	215/230
D241,018 S *	8/1976	De Amicis	D9/439
5,261,914 A *	11/1993	Warren	606/323
D420,589 S *	2/2000	Baxter	D9/439
D519,835 S *	5/2006	Dubs et al.	D9/438
D545,676 S *	7/2007	Rica	D9/439

D551,970 S *	10/2007	Didier	D9/439
D608,900 S *	1/2010	Giraud et al.	D24/216
D620,358 S *	7/2010	Jewett et al.	D9/454

* cited by examiner

Primary Examiner — Susan Bennett Hattan

(74) *Attorney, Agent, or Firm* — Antonio R. Durando

(57) **CLAIM**

The ornamental design for a bottle stopper, as shown and described.

DESCRIPTION

FIG. 1 is a perspective view of a bottle stopper showing my design;

FIG. 2 is a top plan view thereof;

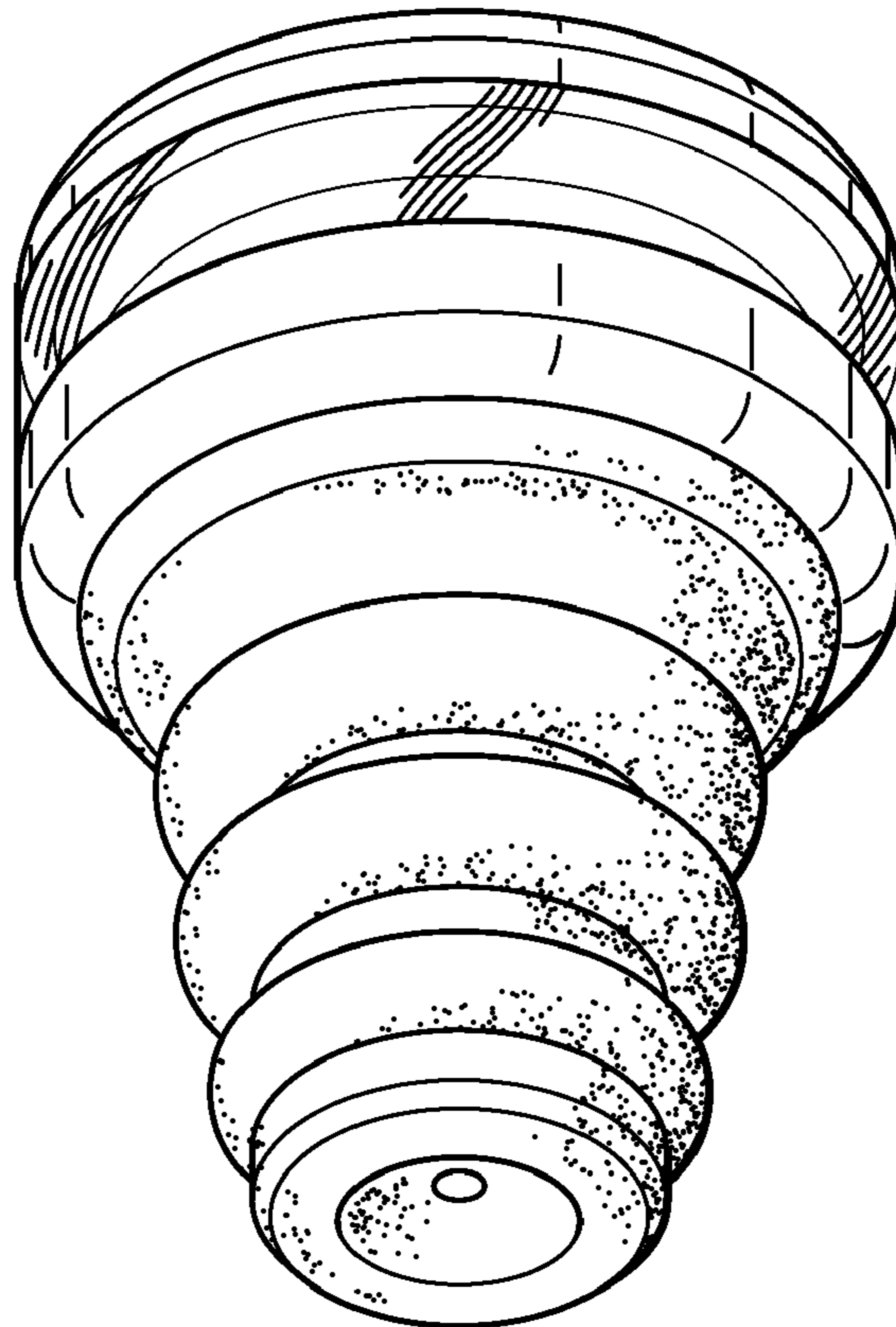
FIG. 3 is a bottom plan view thereof;

FIG. 4 is an elevational view thereof, the view being the same from all directions;

FIG. 5 is an elevational view thereof illustrating a movable internal component visible through a transparent section of the stopper, the view being the same from all directions; and,

FIG. 6 is an elevational view thereof illustrating a different position of the movable internal component visible through the transparent section of the stopper, the view being the same from all directions.

1 Claim, 2 Drawing Sheets



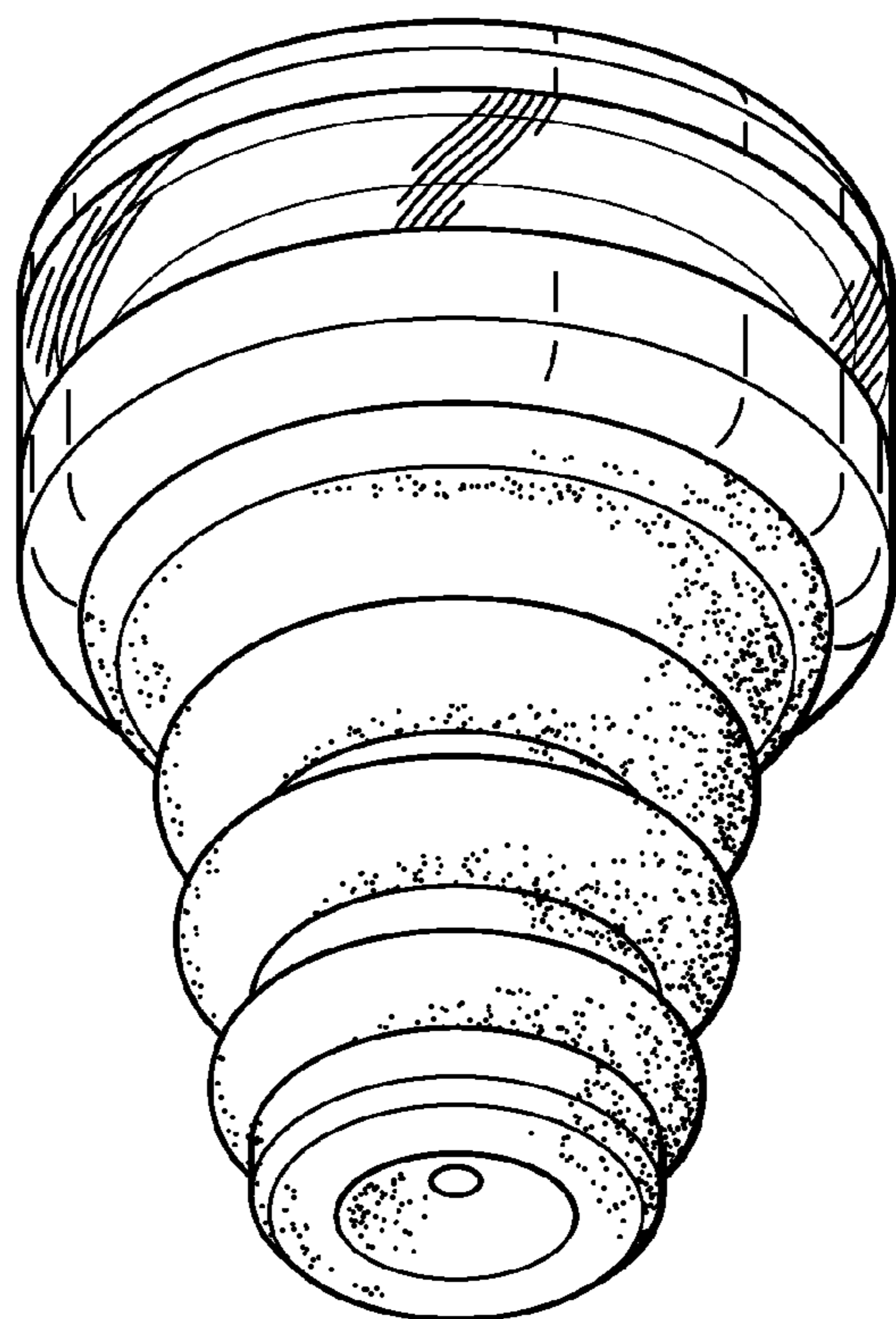


FIG. 1

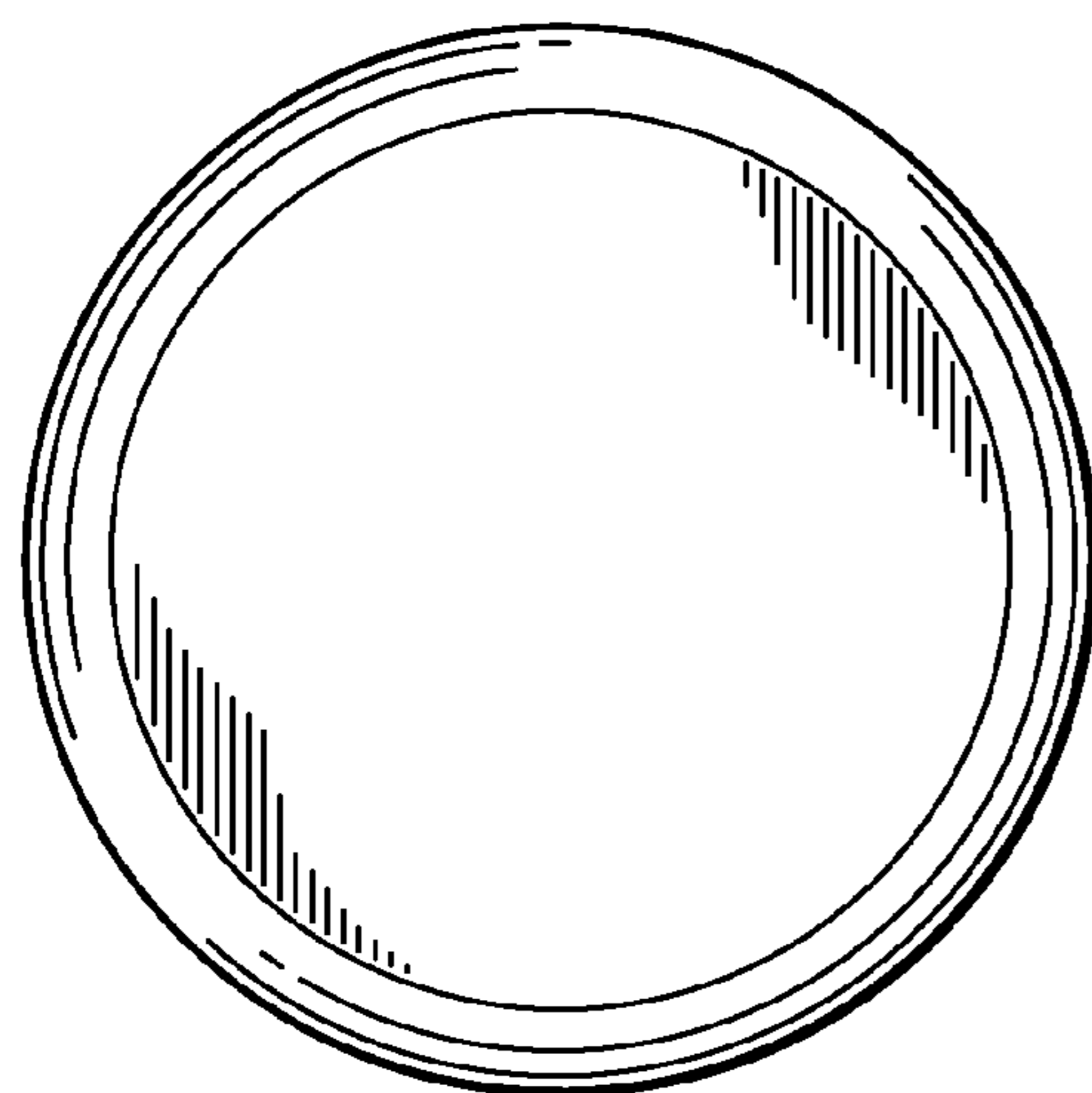


FIG. 2

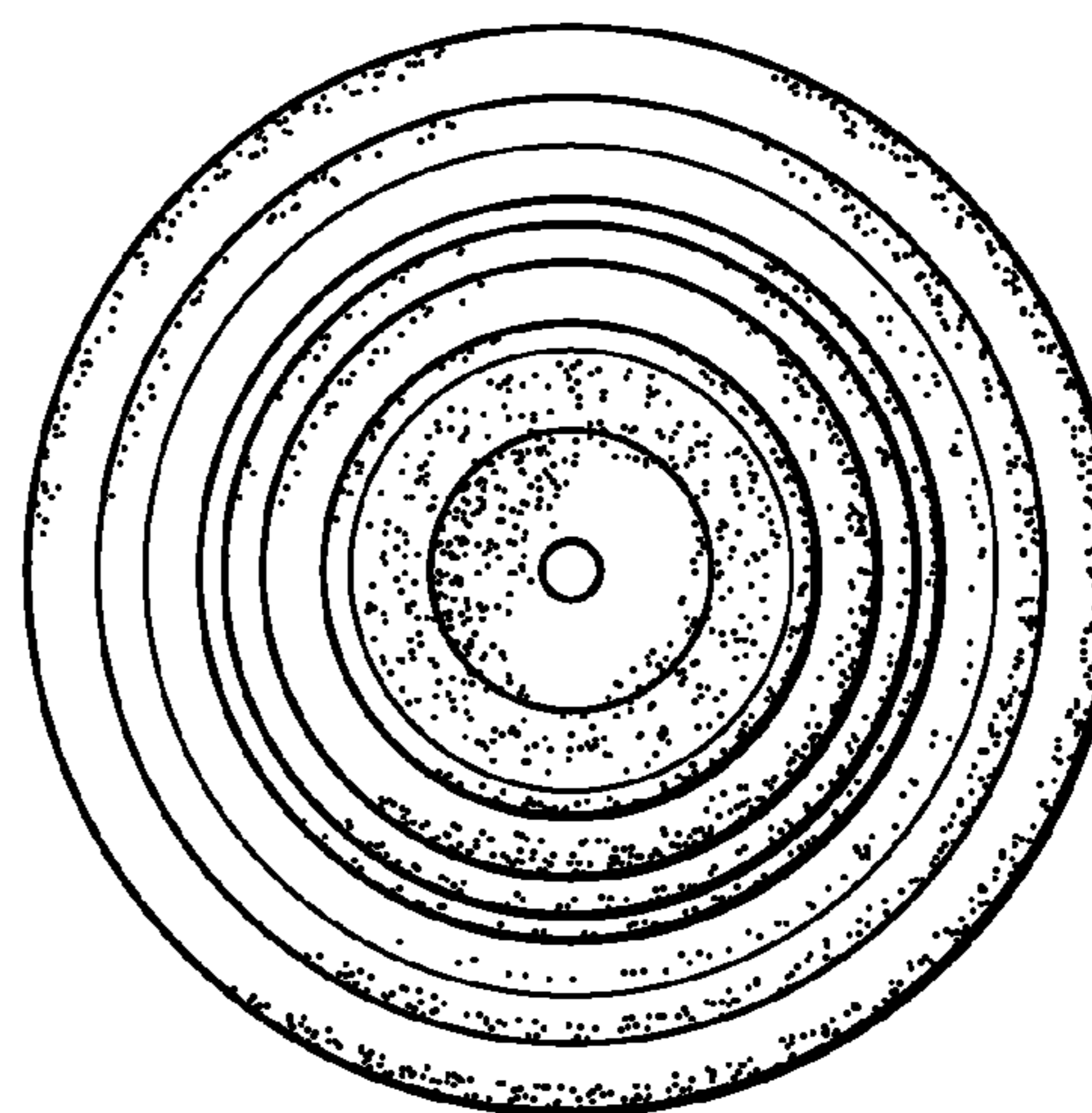


FIG. 3

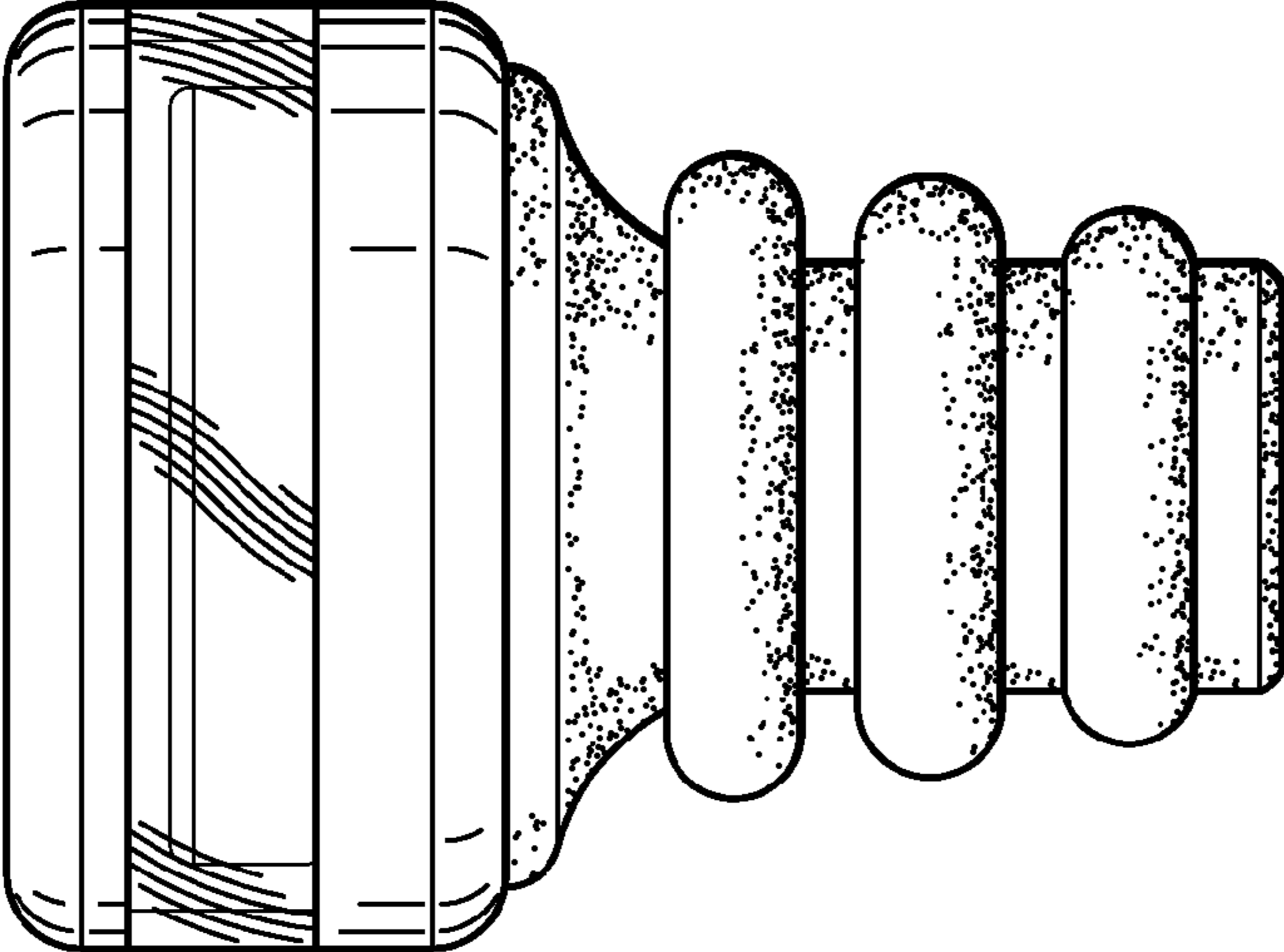


FIG. 6

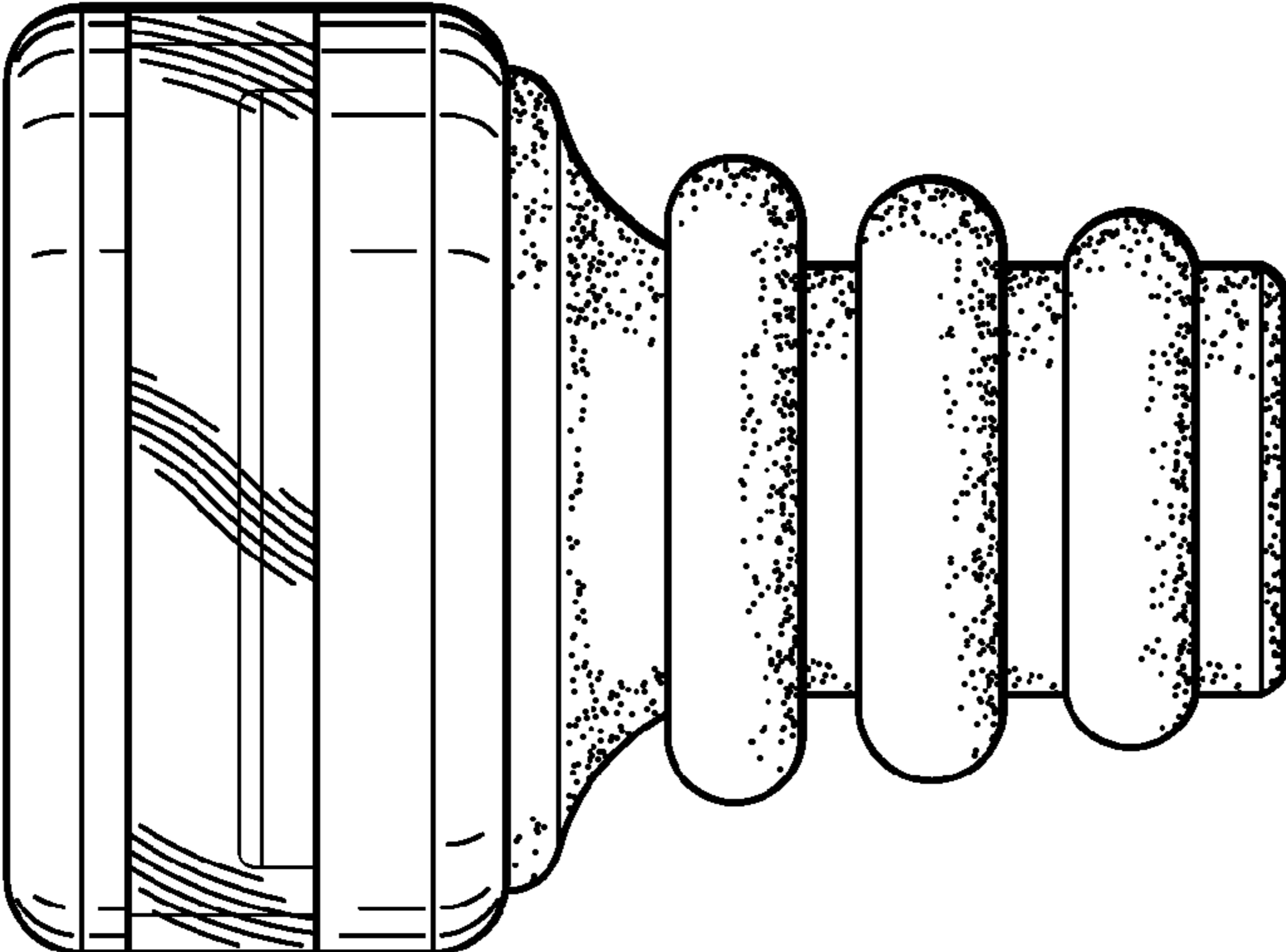


FIG. 5

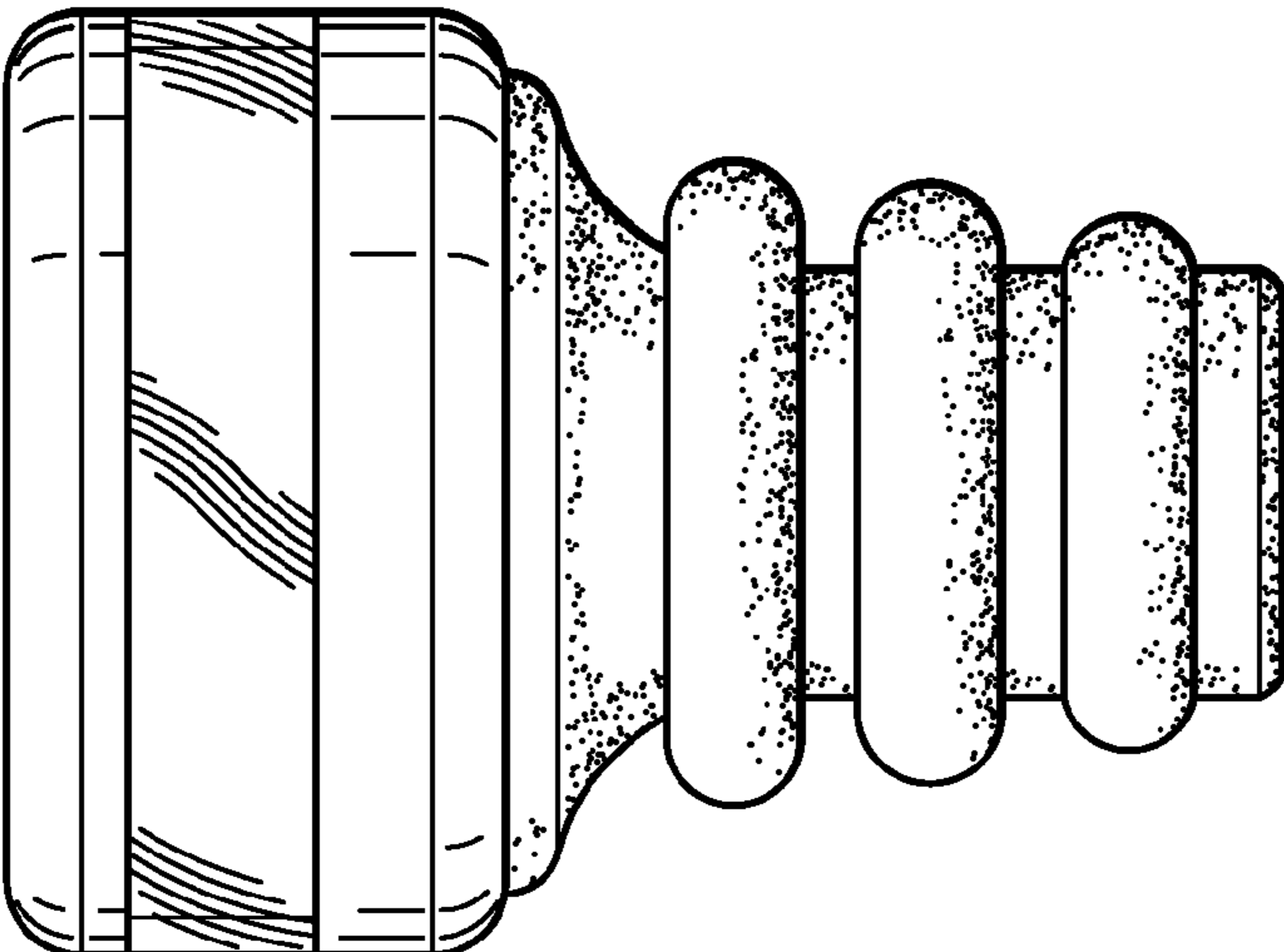


FIG. 4