



US00D639655S

(12) **United States Design Patent**  
**Giraud et al.**

(10) **Patent No.:** **US D639,655 S**  
(45) **Date of Patent:** **\*\* Jun. 14, 2011**

(54) **PORTION OF VALVE**

(76) Inventors: **Jean-Pierre Giraud**, Paris (FR); **Michel Zbirka**, Jouy-sur-Morin (FR); **Bruce Rabinne**, Boissy le Chatel (FR)

(\*\*) Term: **14 Years**

(21) Appl. No.: **29/359,572**

(22) Filed: **Apr. 13, 2010**

(51) **LOC (9) Cl.** ..... **09-07**

(52) **U.S. Cl.** ..... **D9/435; D9/439**

(58) **Field of Classification Search** ..... D9/656,  
D9/635, 565, 454, 452, 451, 447, 446, 441,  
D9/440, 439, 435; D7/399, 396, 396.5, 395,  
D7/393, 392.1, 387, 321, 300.2; D24/130,  
D24/129; D21/713; 222/529, 478, 153.06;  
220/825, 276, 254.8, 254.4; 215/364, 356,  
215/355, 230

See application file for complete search history.

(56) **References Cited**

U.S. PATENT DOCUMENTS

4,182,458	A *	1/1980	Meckler	.....	215/307
5,513,768	A *	5/1996	Smith	.....	220/259.2
D445,683	S *	7/2001	Michael et al.	.....	D9/443
D487,227	S *	3/2004	Haley	.....	D9/439

\* cited by examiner

*Primary Examiner* — Susan Bennett Hattan

(74) *Attorney, Agent, or Firm* — McAndrews, Held & Malloy, Ltd.

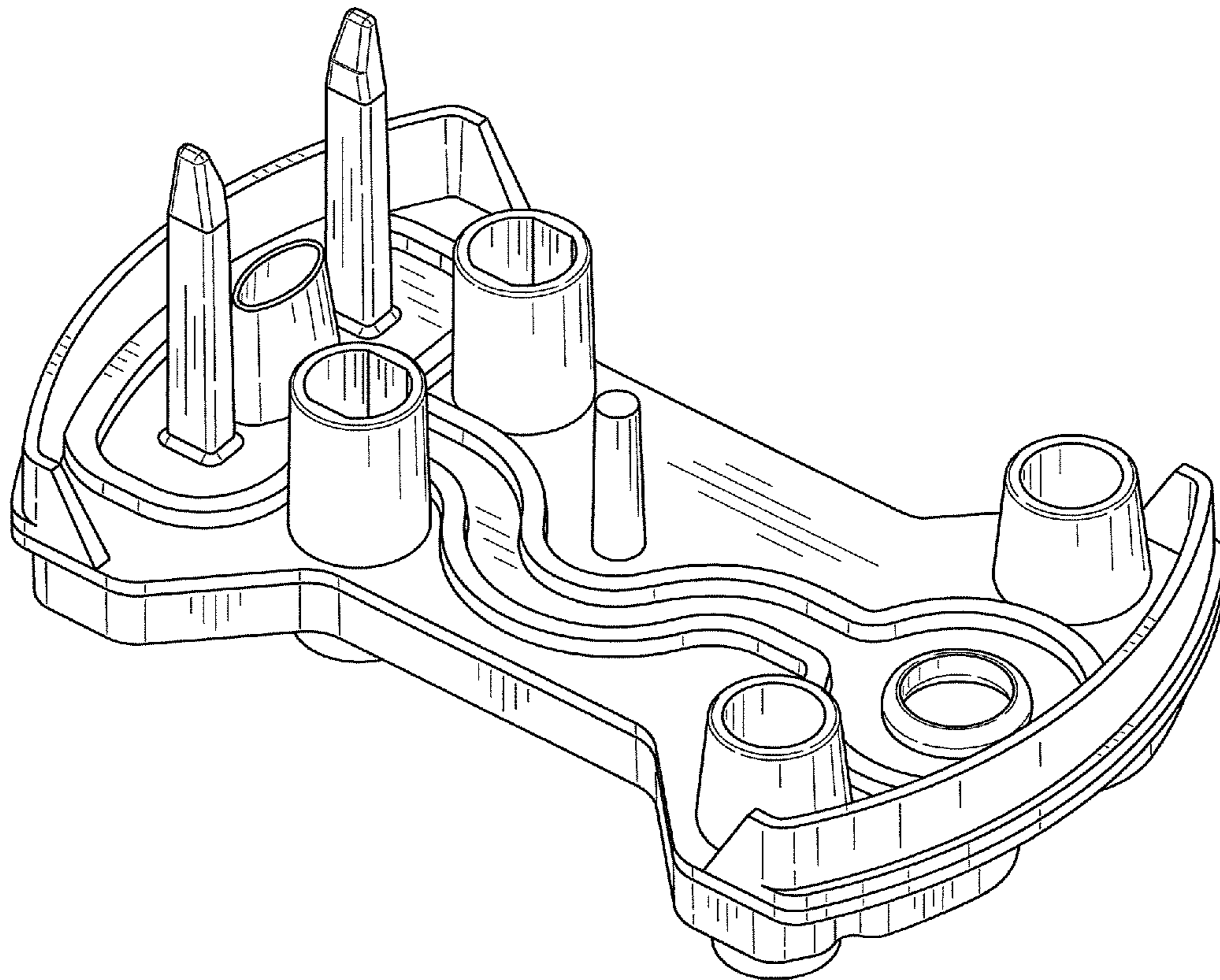
(57) **CLAIM**

The ornamental design for a portion of valve, as shown and described.

**DESCRIPTION**

FIG. 1 is a top perspective view of our new design for a portion of valve;  
FIG. 2 is a front elevation view thereof;  
FIG. 3 is a back elevation view thereof;  
FIG. 4 is a right-side elevation view thereof;  
FIG. 5 is a left-side elevation view thereof;  
FIG. 6 is top plan view thereof;  
FIG. 7 is a bottom plan view thereof; and,  
FIG. 8 is a bottom perspective view thereof.

**1 Claim, 6 Drawing Sheets**



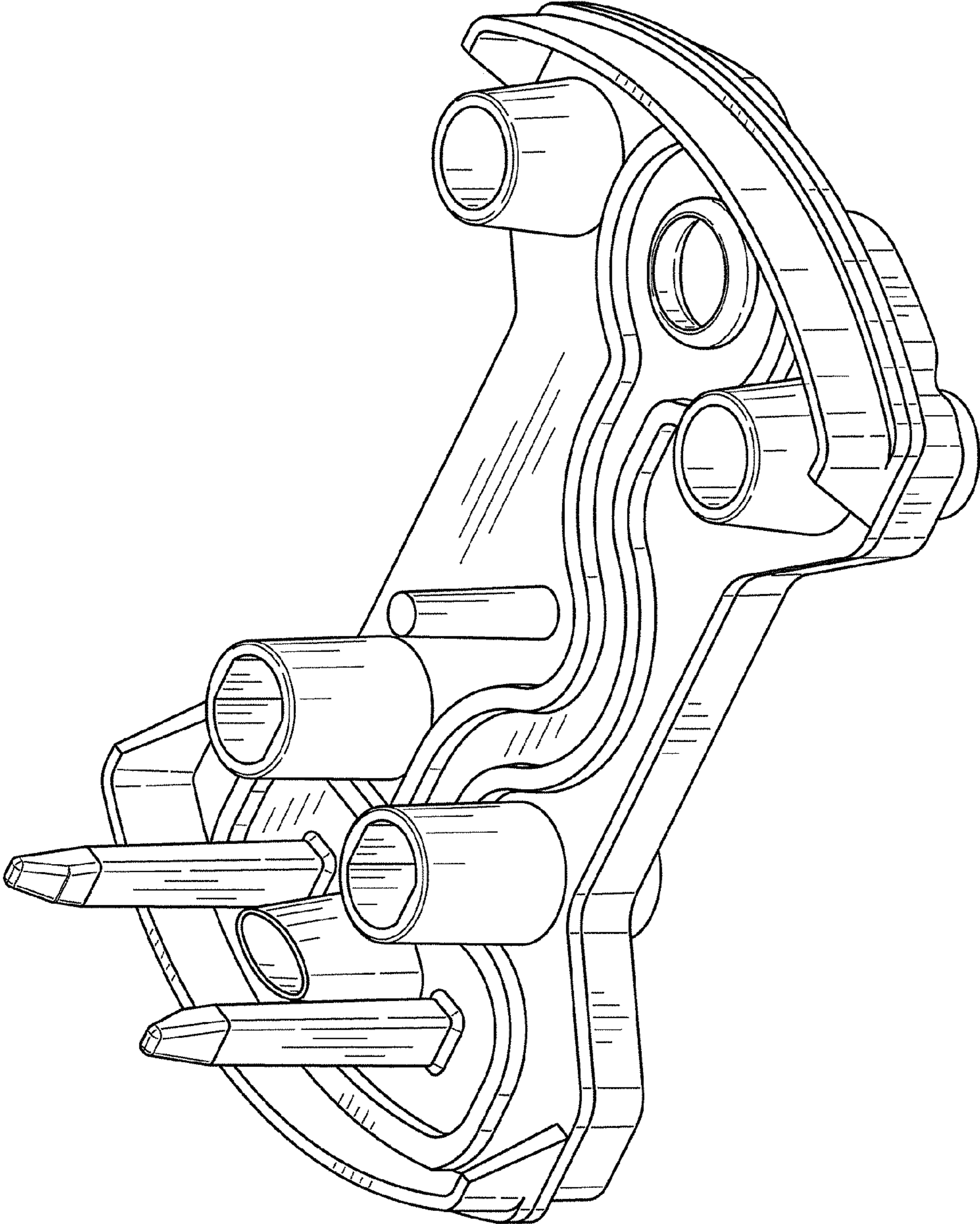


FIG. 1

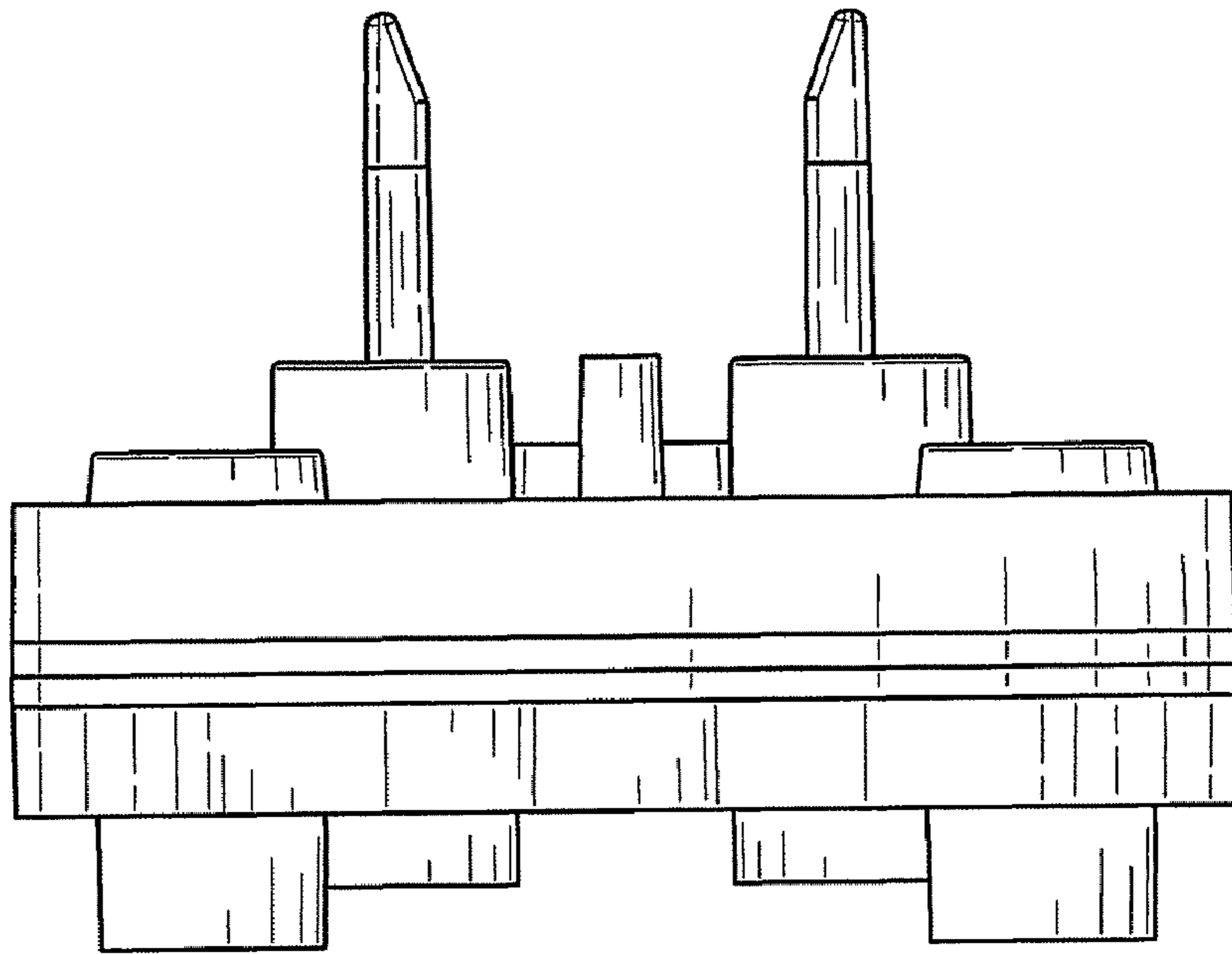


FIG. 2

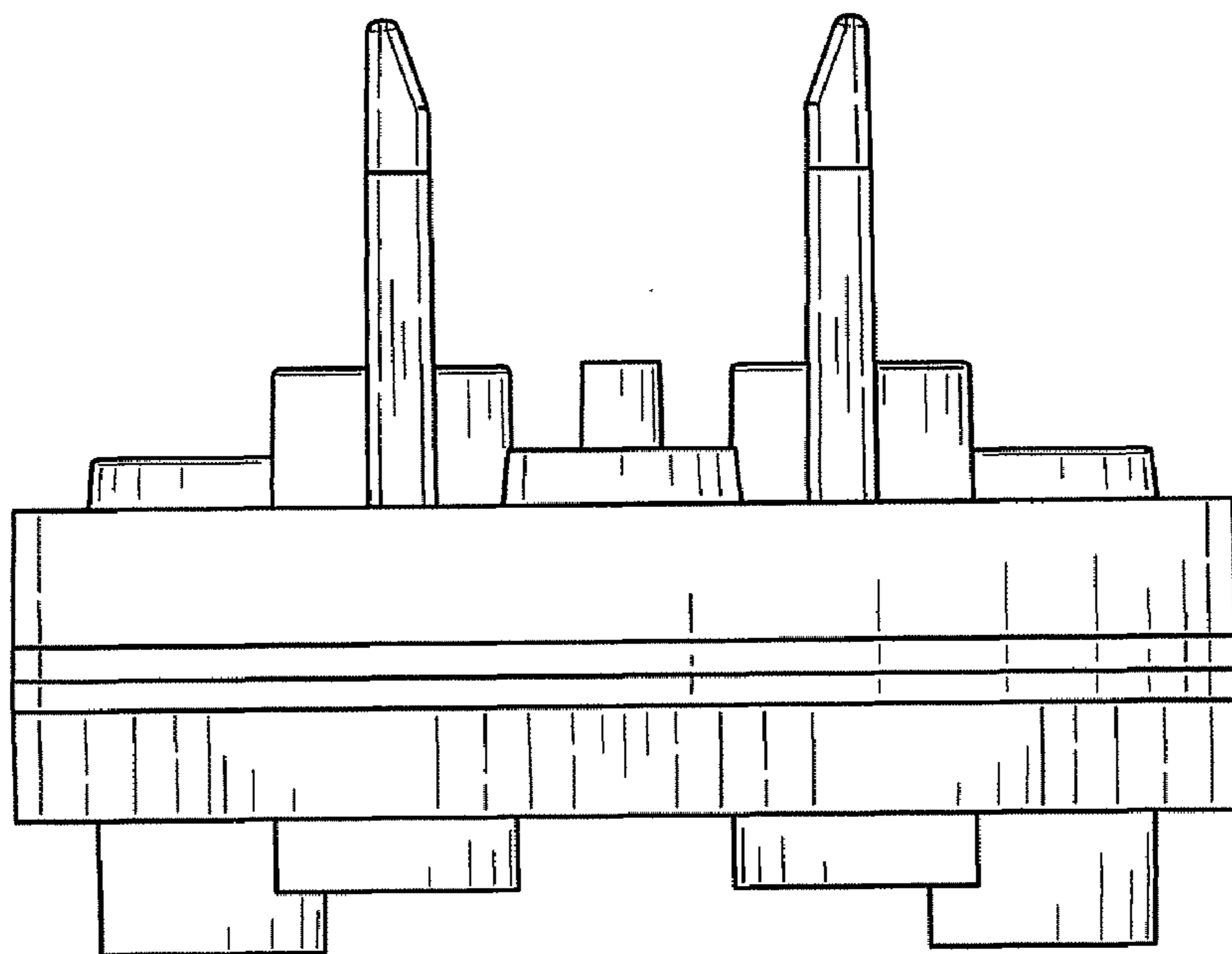


FIG. 3

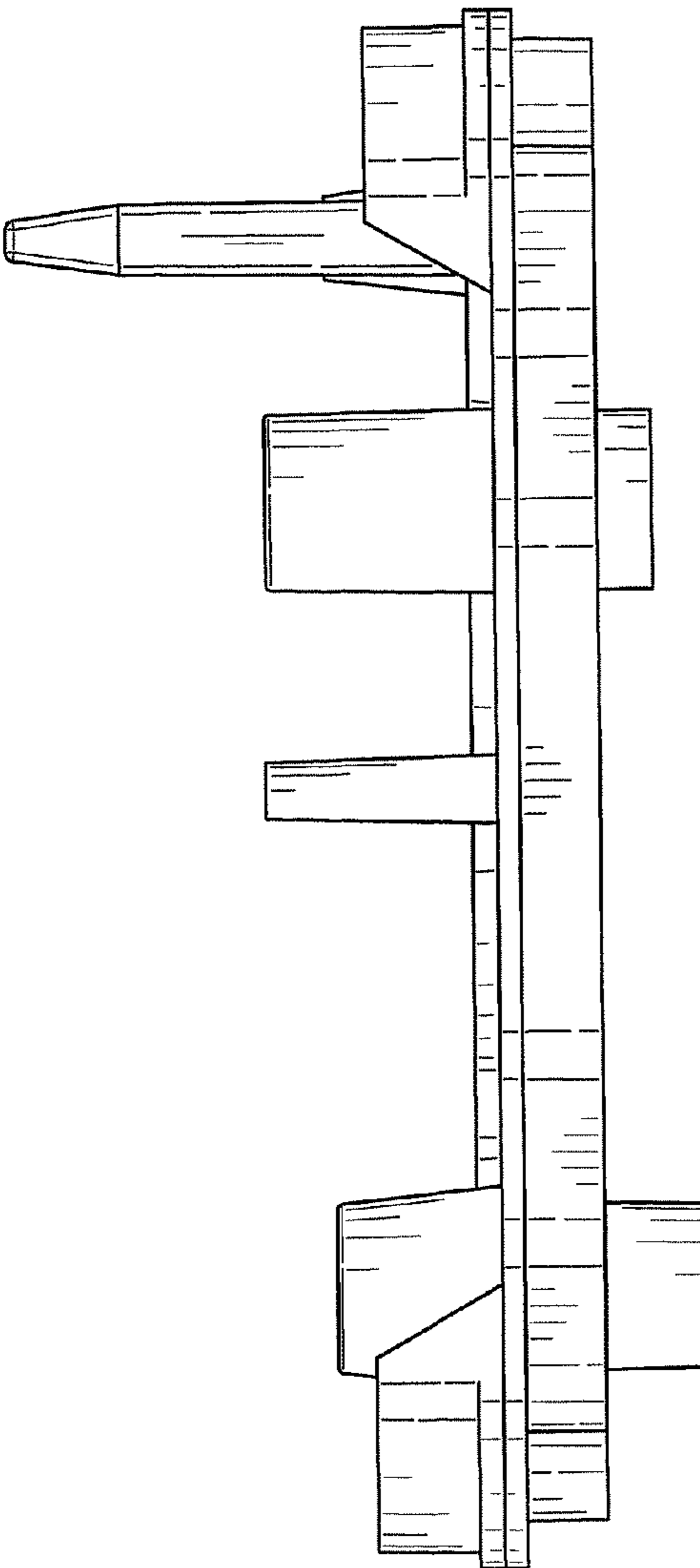


FIG. 4

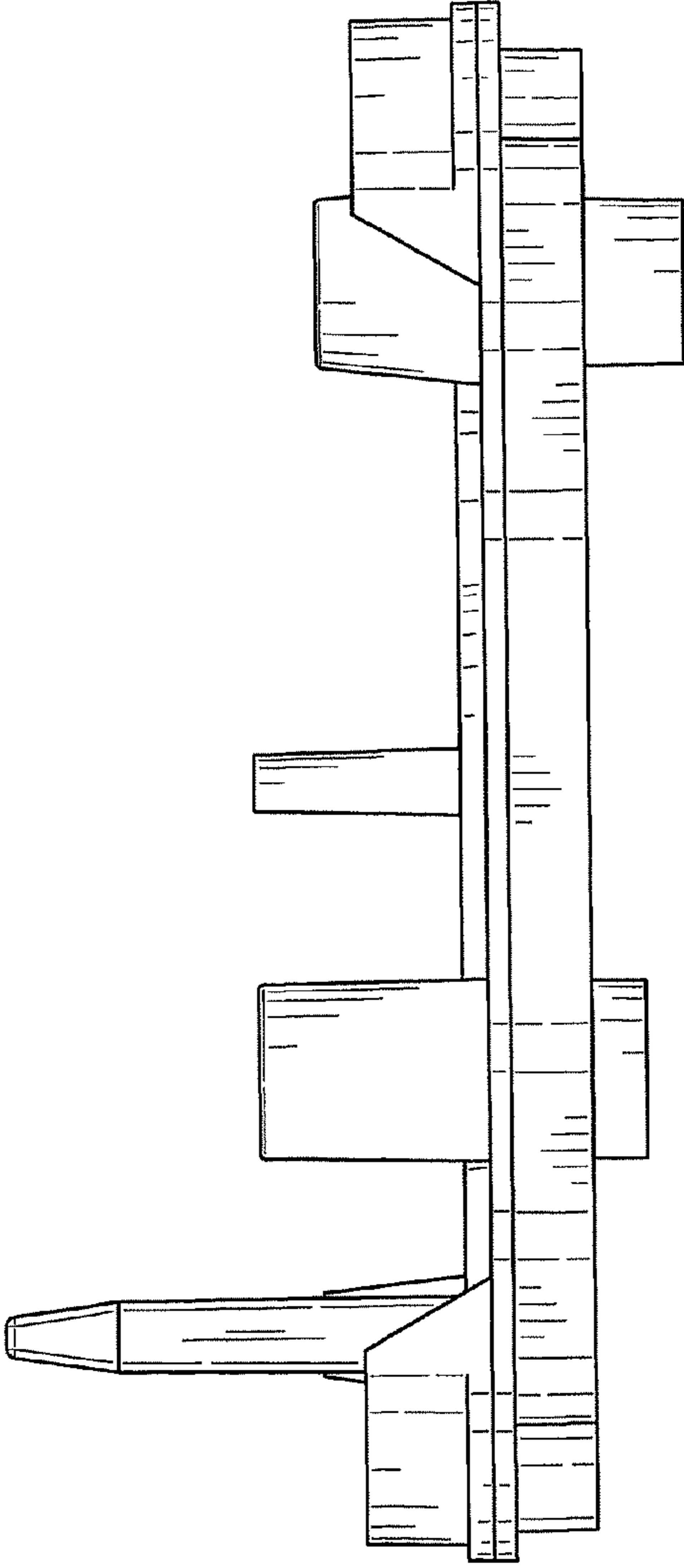


FIG. 5



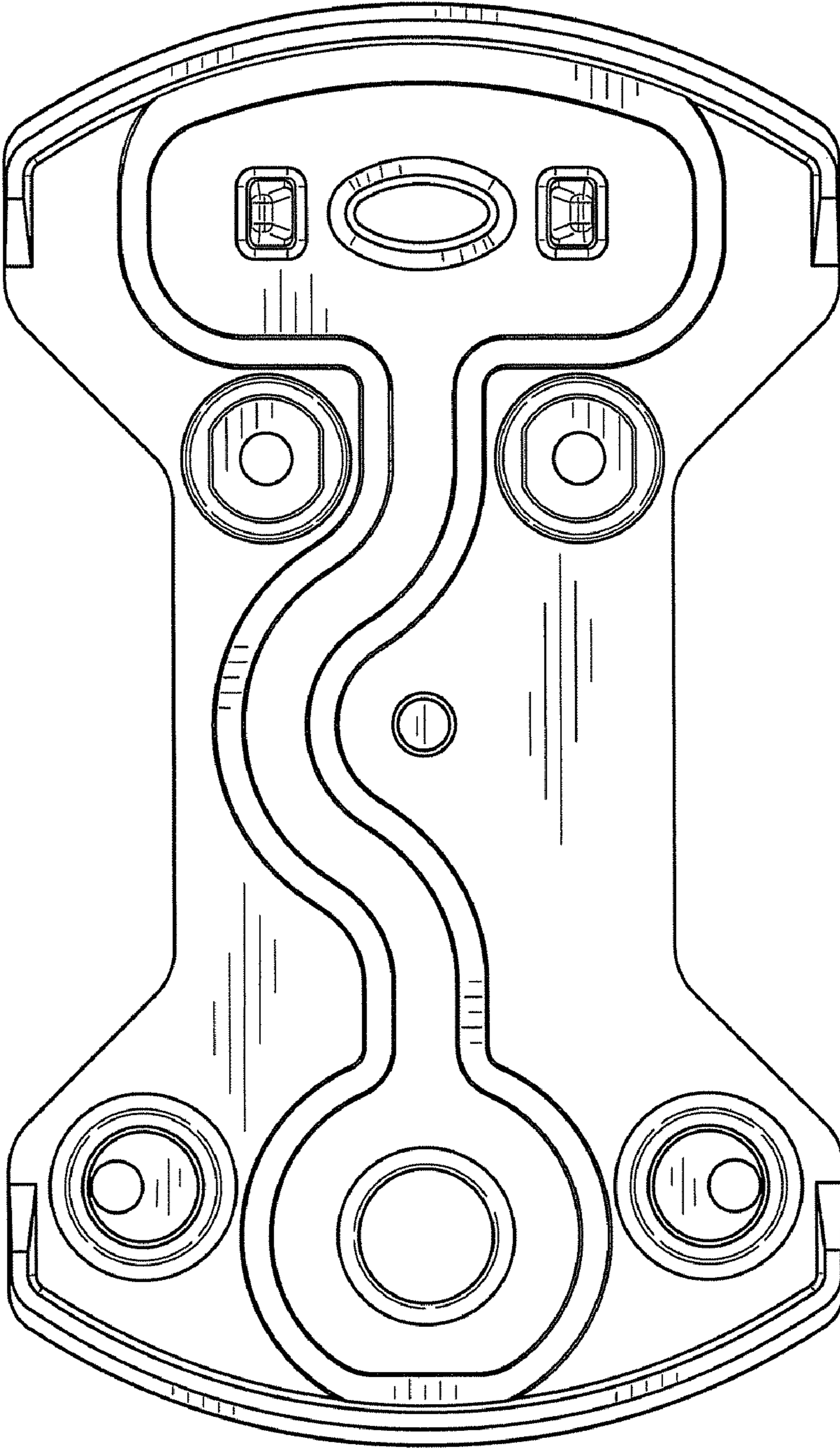


FIG. 6

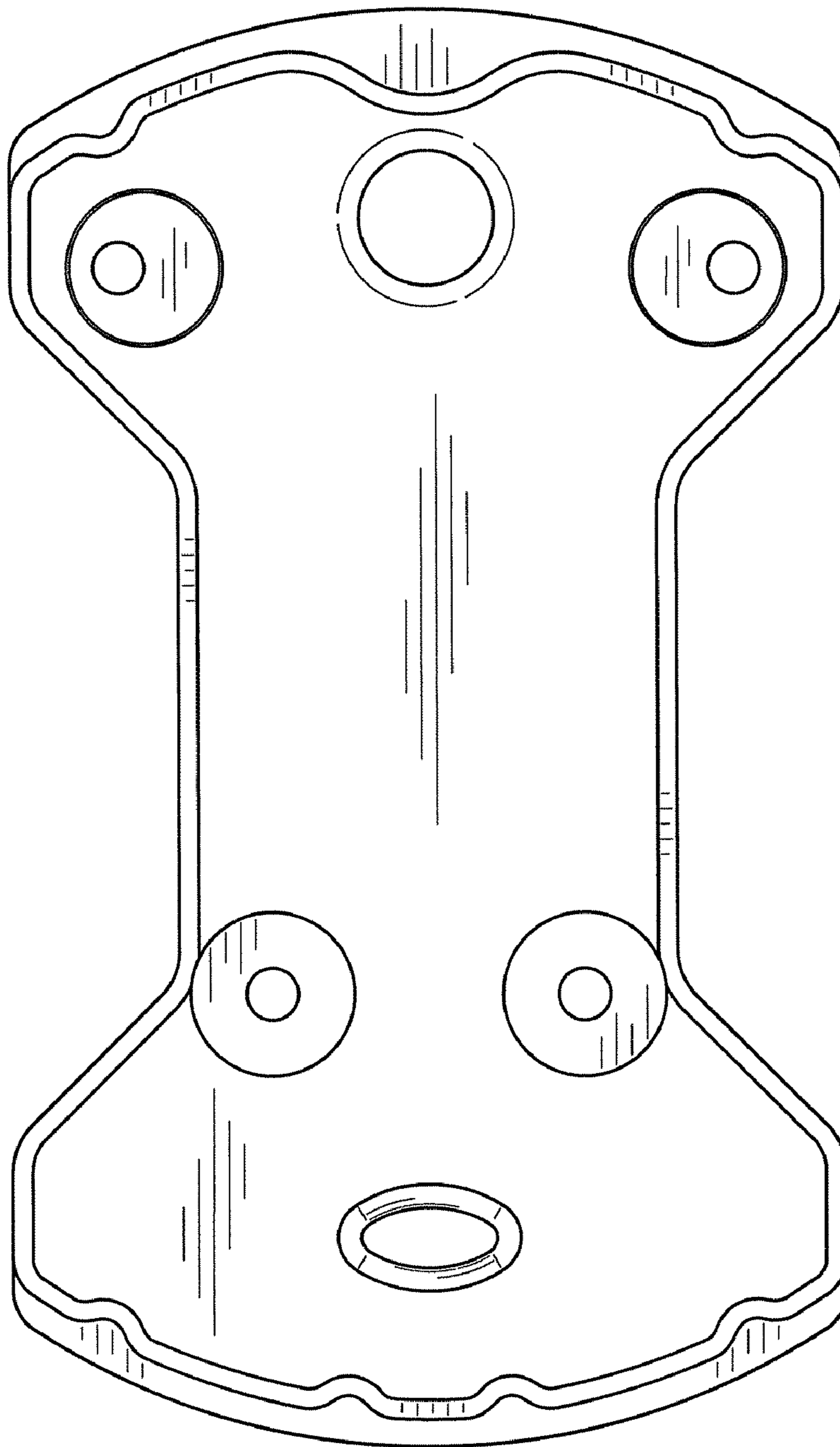


FIG. 7

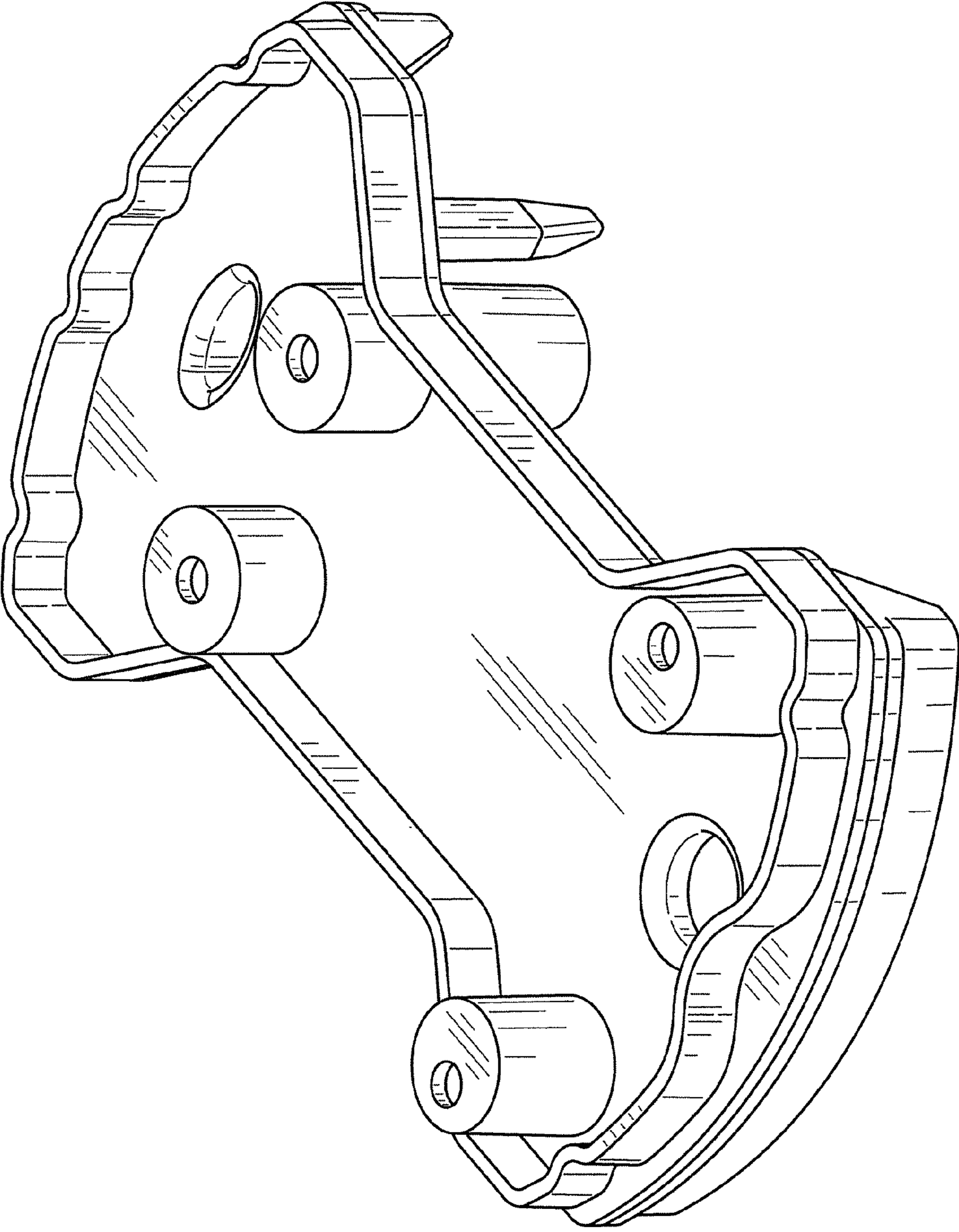


FIG. 8