



US00D639650S

(12) **United States Design Patent**  
**Summers**

(10) **Patent No.:** **US D639,650 S**  
(45) **Date of Patent:** **\*\* Jun. 14, 2011**

(54) **CAPTIVE SCREW**

(75) Inventor: **Gregg Vincent Summers**, Scottsdale, AZ (US)

(73) Assignee: **Peninsula Components, Inc.**, San Carlos, CA (US)

(\*\*) Term: **14 Years**

(21) Appl. No.: **29/376,253**

(22) Filed: **Oct. 4, 2010**

**Related U.S. Application Data**

(63) Continuation-in-part of application No. 29/344,449, filed on Sep. 29, 2009, now Pat. No. Des. 627,215.

(51) **LOC (9) Cl.** ..... **08-08**

(52) **U.S. Cl.** ..... **D8/387**

(58) **Field of Classification Search** ..... D8/387,  
D8/382; 411/352, 353, 378, 403, 366.1,  
411/387.1, 393, 402

See application file for complete search history.

(56) **References Cited**

**U.S. PATENT DOCUMENTS**

D484,031 S *	12/2003	Ellis et al. ....	D8/387
D490,297 S *	5/2004	Menta ....	D8/387
D494,458 S *	8/2004	Aukzemas et al. ....	D8/387
D501,396 S *	2/2005	Frattarola ....	D8/387

D551,954 S \* 10/2007 Tan ..... D8/387  
\* cited by examiner

*Primary Examiner* — Holly H Baynham

*Assistant Examiner* — Sheryl Lane

(74) *Attorney, Agent, or Firm* — Dergosits & Noah LLP

(57) **CLAIM**

The ornamental design for a captive screw, as shown and described.

**DESCRIPTION**

FIG. 1 is a side perspective view of a captive screw with a flared retainer in a non-fastened position, all remaining sides being identical.

FIG. 2 is a side perspective view of the captive screw with a flared retainer in a fastened position, all remaining sides being identical.

FIG. 3 is a bottom perspective view of the captive screw shown in FIG. 1.

FIG. 4 is a top plan view of the captive screw shown in FIG. 1.

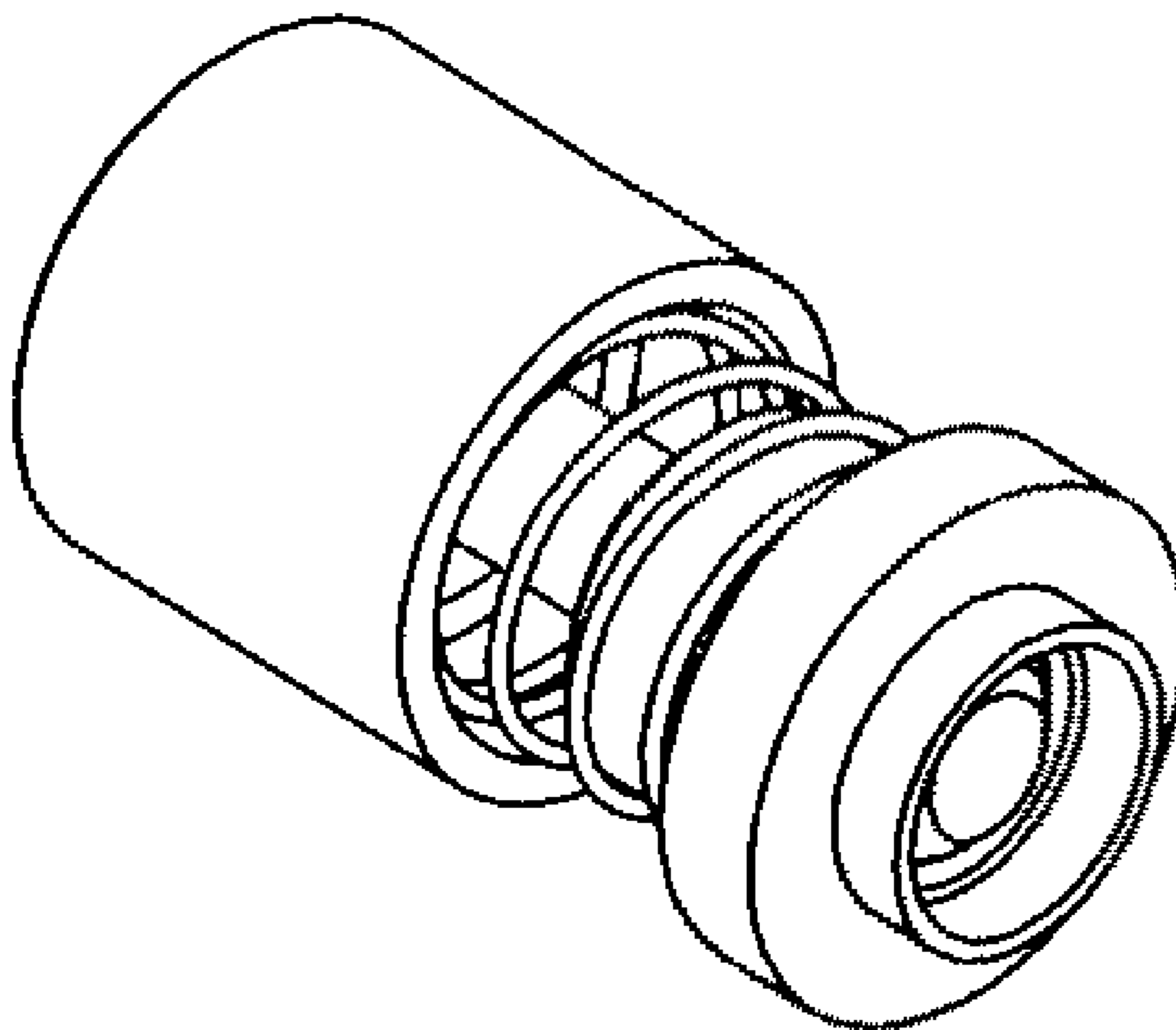
FIG. 5 is an alternative top plan view of the captive screw of FIG. 1 showing a combination slotted/cross driver recess.

FIG. 6 is an alternative top plan view of the captive screw of FIG. 1 showing a slotted driver recess.

FIG. 7 is an alternative top plan view of the captive screw of FIG. 1 showing a slotted six-lobed driver recess; and,

FIG. 8 is an alternative top plan view of the captive screw of FIG. 1 showing a six-lobed driver recess.

**1 Claim, 1 Drawing Sheet**



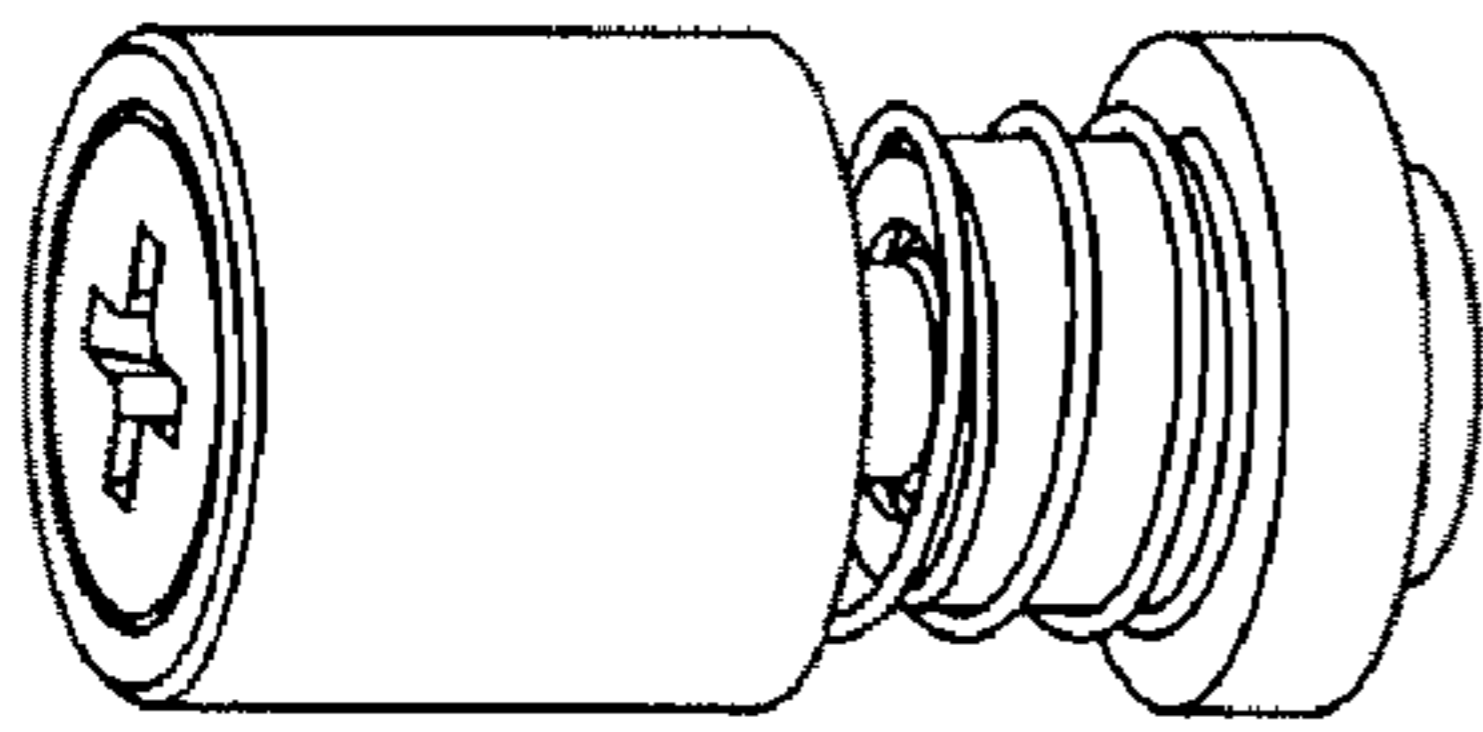


FIG. 1

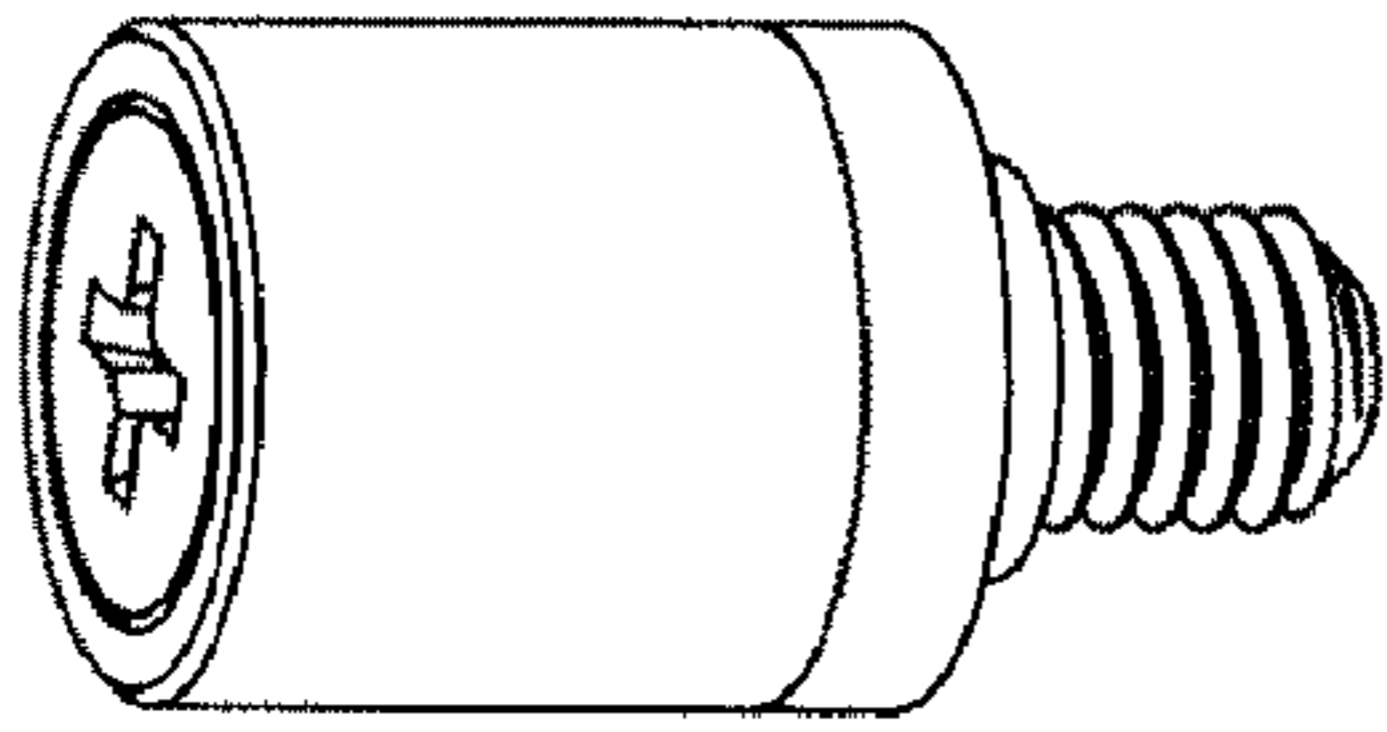


FIG. 2

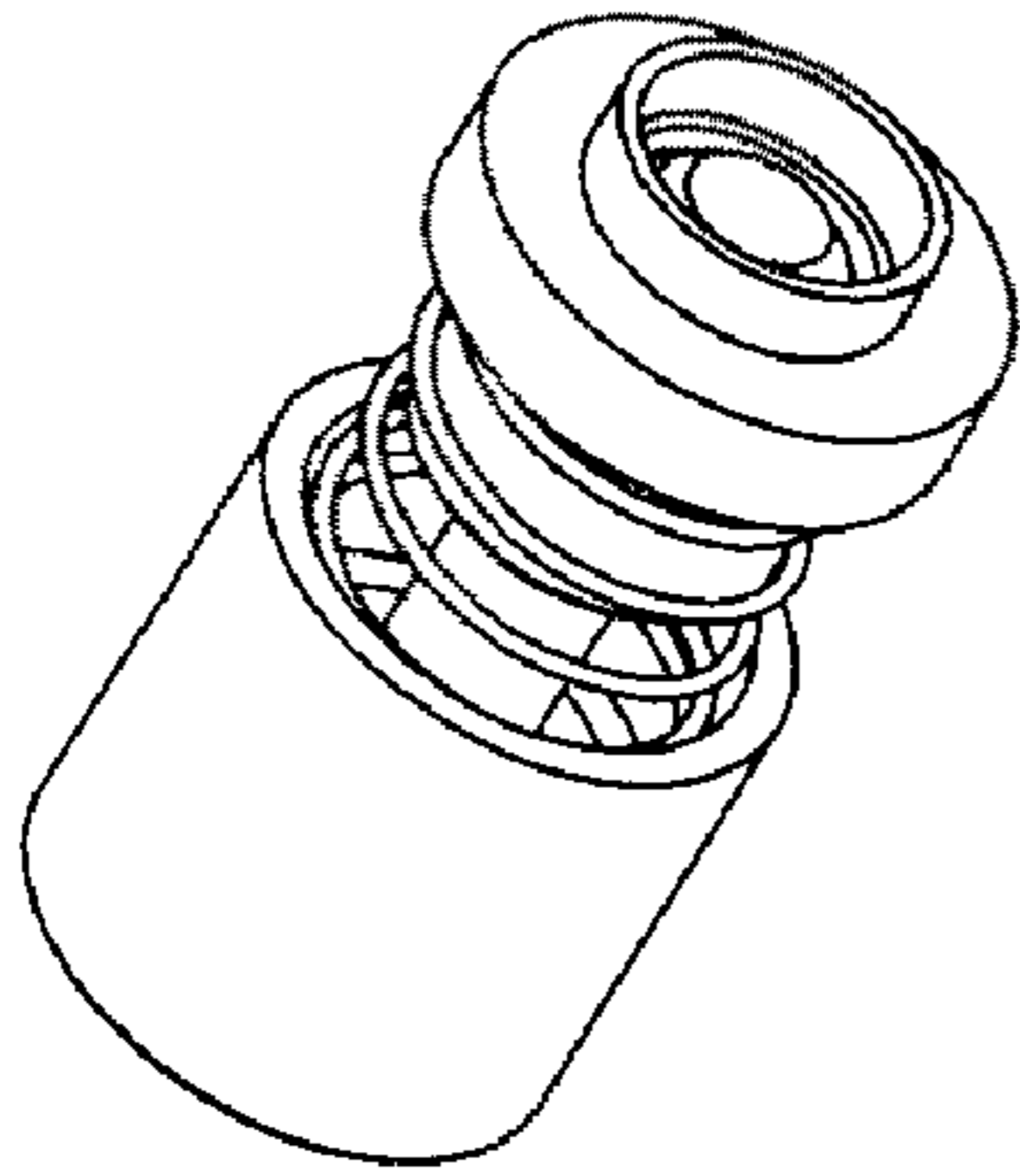


FIG. 3

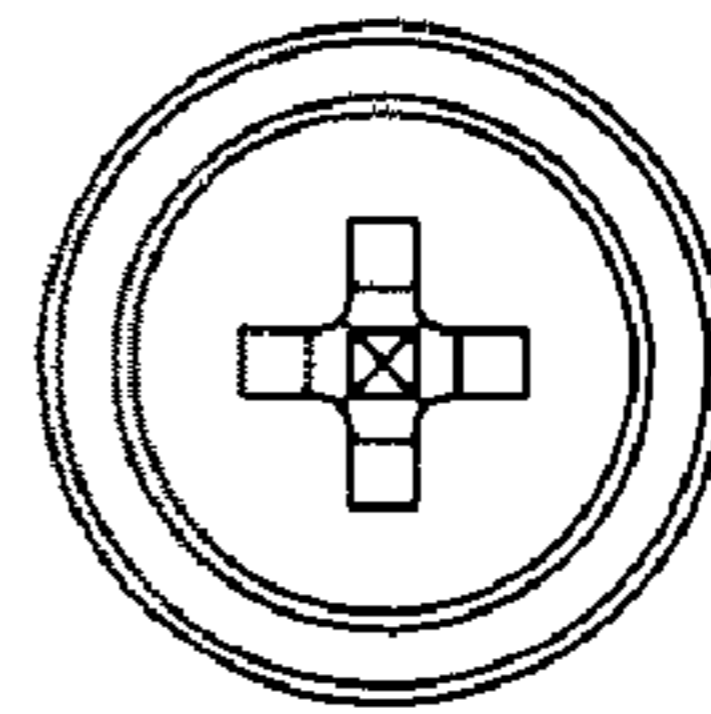


FIG. 4

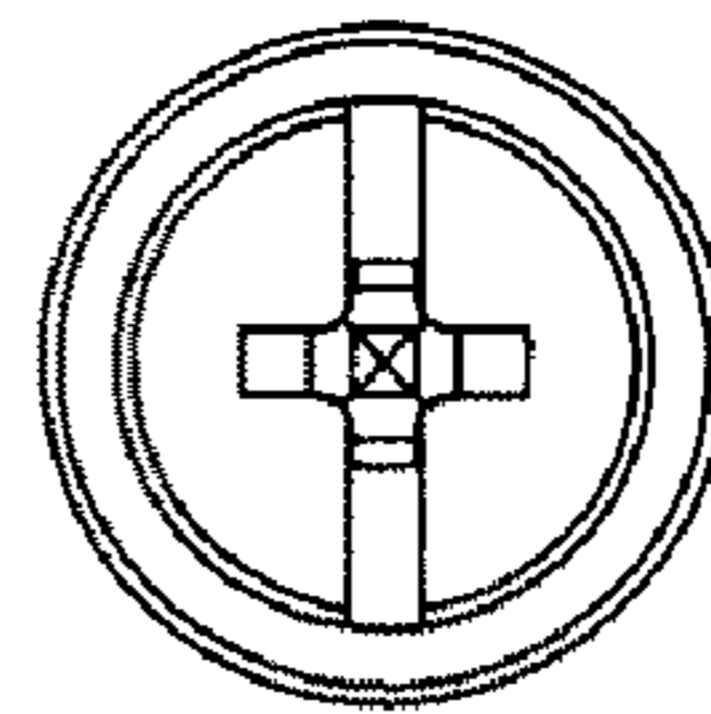


FIG. 5

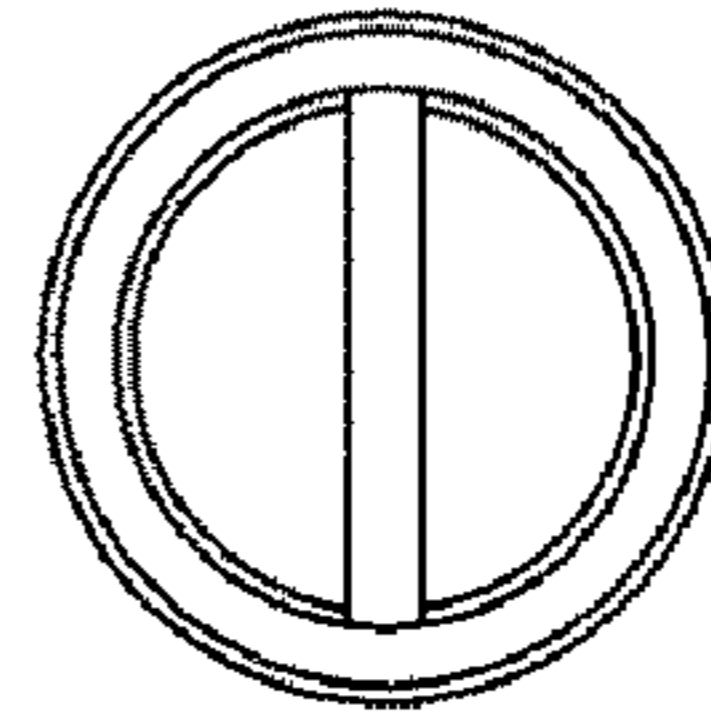


FIG. 6

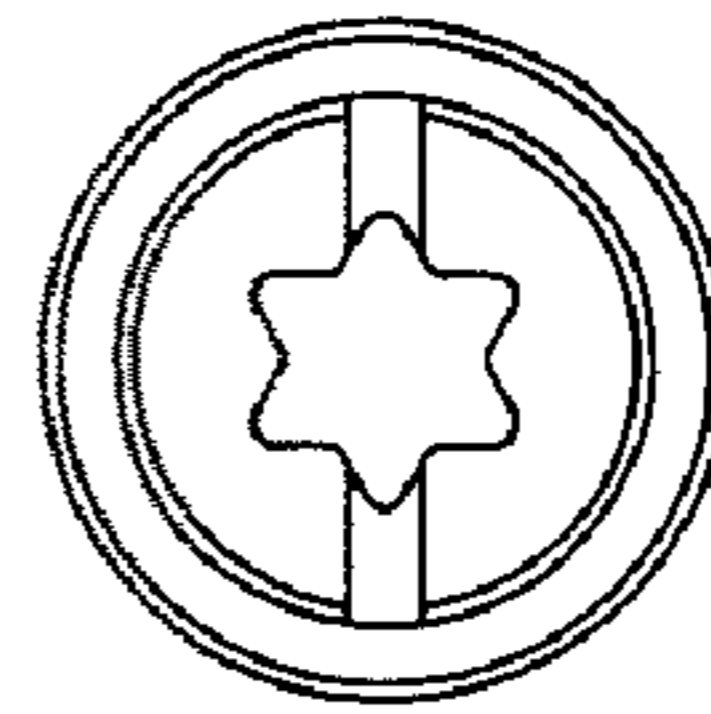


FIG. 7

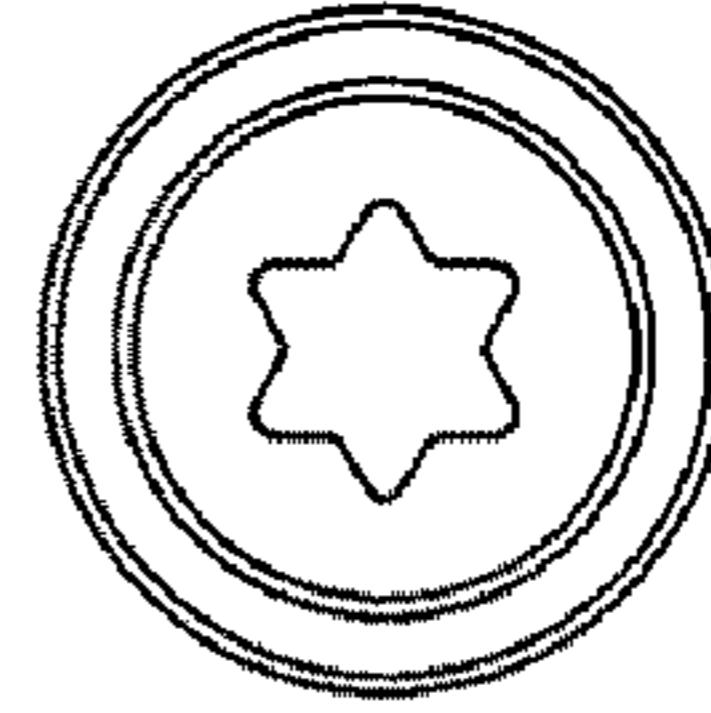


FIG. 8