



US00D639648S

(12) **United States Design Patent**
Summers

(10) **Patent No.:** **US D639,648 S**

(45) **Date of Patent:** **** Jun. 14, 2011**

(54) **CAPTIVE SCREW**

D551,954 S * 10/2007 Tan D8/387
* cited by examiner

(75) Inventor: **Gregg Vincent Summers**, Scottsdale,
AZ (US)

Primary Examiner — Holly H Baynham

Assistant Examiner — Sheryl Lane

(73) Assignee: **Peninsula Components, Inc.**, San
Carlos, CA (US)

(74) *Attorney, Agent, or Firm* — Dergosits & Noah LLP

(**) Term: **14 Years**

(57) **CLAIM**

The ornamental design for a captive screw, as shown and
described.

(21) Appl. No.: **29/376,251**

DESCRIPTION

(22) Filed: **Oct. 4, 2010**

Related U.S. Application Data

(62) Division of application No. 29/344,449, filed on Sep.
29, 2009, now Pat. No. Des. 627,215.

FIG. 1 is a side perspective view of a captive screw with a
broaching retainer in a non-fastened position, all remaining
sides being identical.

(51) **LOC (9) Cl.** **08-08**

(52) **U.S. Cl.** **D8/387**

FIG. 2 is a side perspective view of the captive screw with a
broaching retainer in a fastened position, all remaining sides
being identical.

(58) **Field of Classification Search** D8/387,
D8/382; 411/352, 353, 378, 403, 366.1,
411/387.1, 393, 402

FIG. 3 is a bottom perspective view of the captive screw
shown in FIG. 1.

See application file for complete search history.

FIG. 4 is a top plan view of the captive screw shown in FIG.
1

(56) **References Cited**

U.S. PATENT DOCUMENTS

D484,031 S *	12/2003	Ellis et al.	D8/387
D490,297 S *	5/2004	Menta	D8/387
D494,458 S *	8/2004	Aukzemas et al.	D8/387
D501,396 S *	2/2005	Frattarola	D8/387

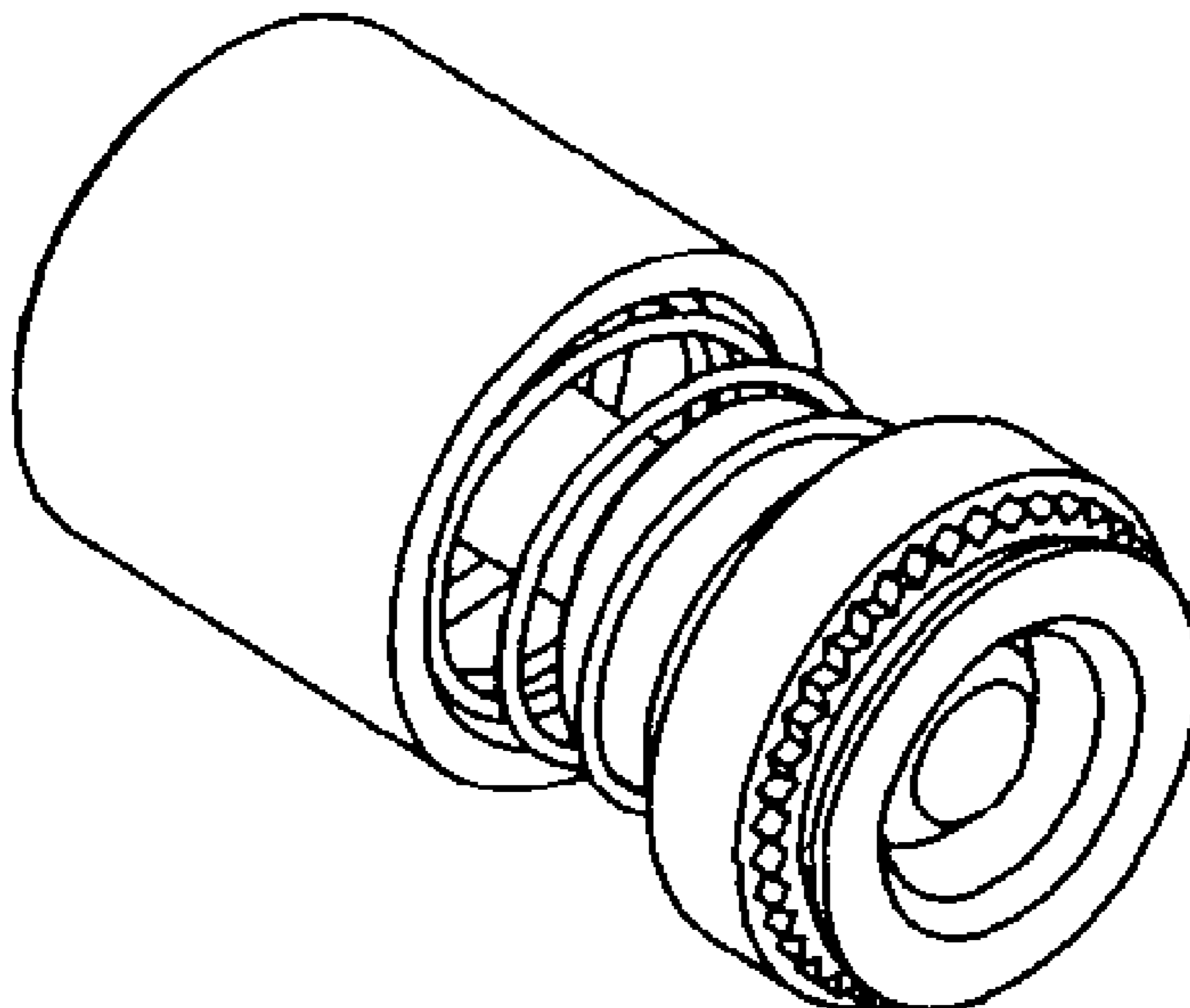
FIG. 5 is an alternative top plan view of the captive screw of
FIG. 1 showing a combination slotted/cross driver recess.

FIG. 6 is an alternative top plan view of the captive screw of
FIG. 1 showing a slotted driver recess.

FIG. 7 is an alternative top plan view of the captive screw of
FIG. 1 showing a slotted six-lobed driver recess; and,

FIG. 8 is an alternative top plan view of the captive screw of
FIG. 1 showing a six-lobed driver recess.

1 Claim, 1 Drawing Sheet



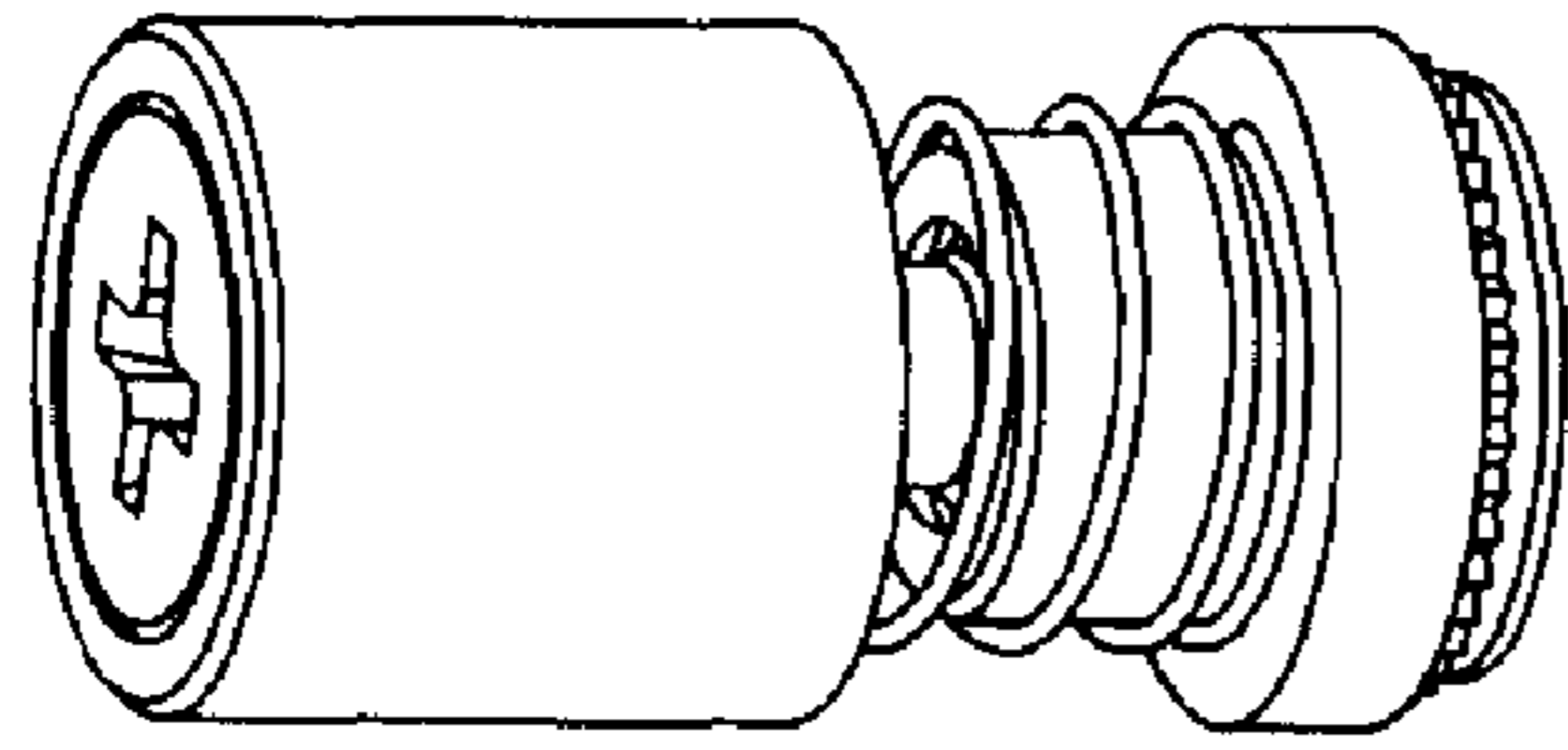


FIG. 1

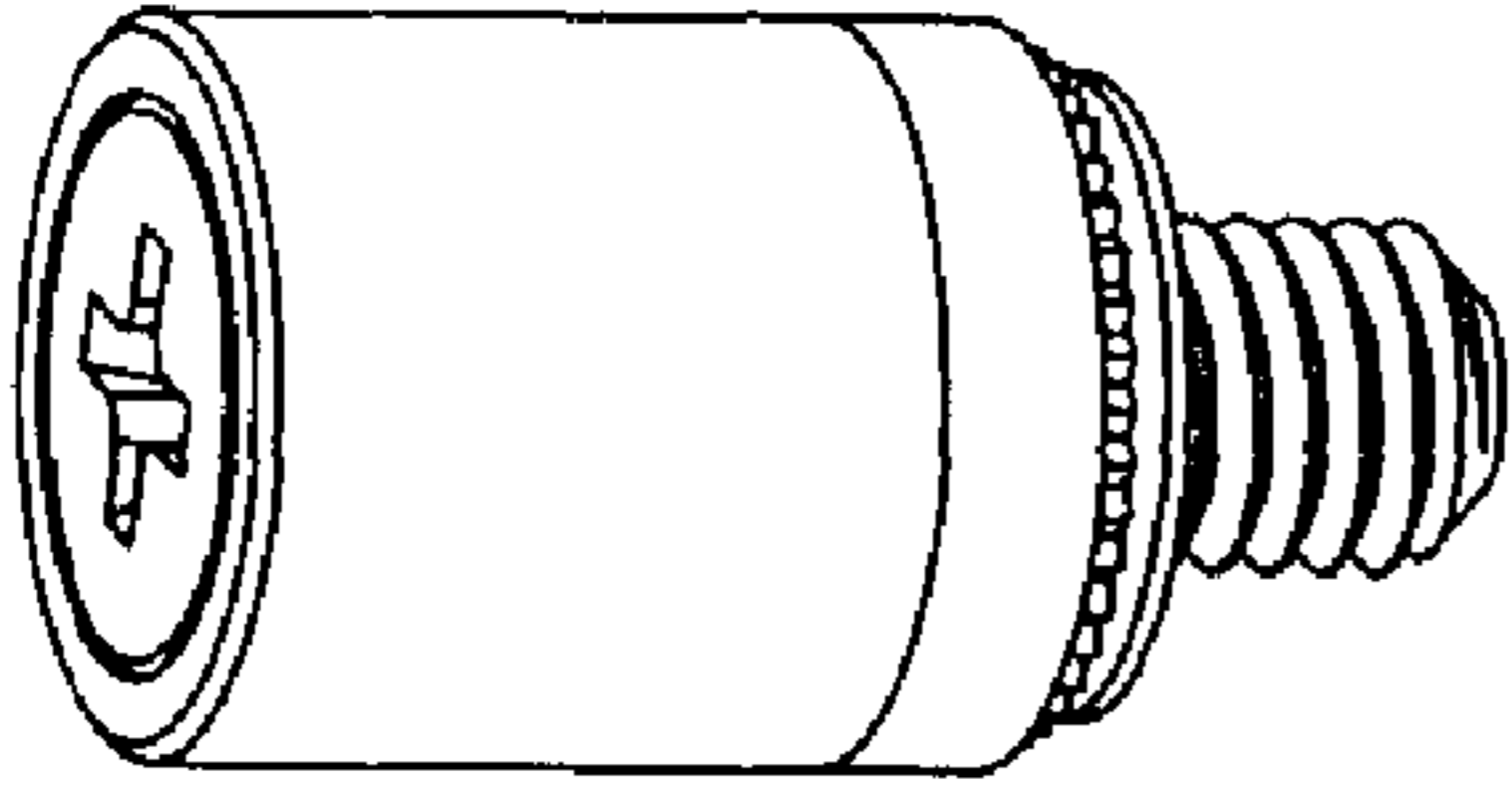


FIG. 2

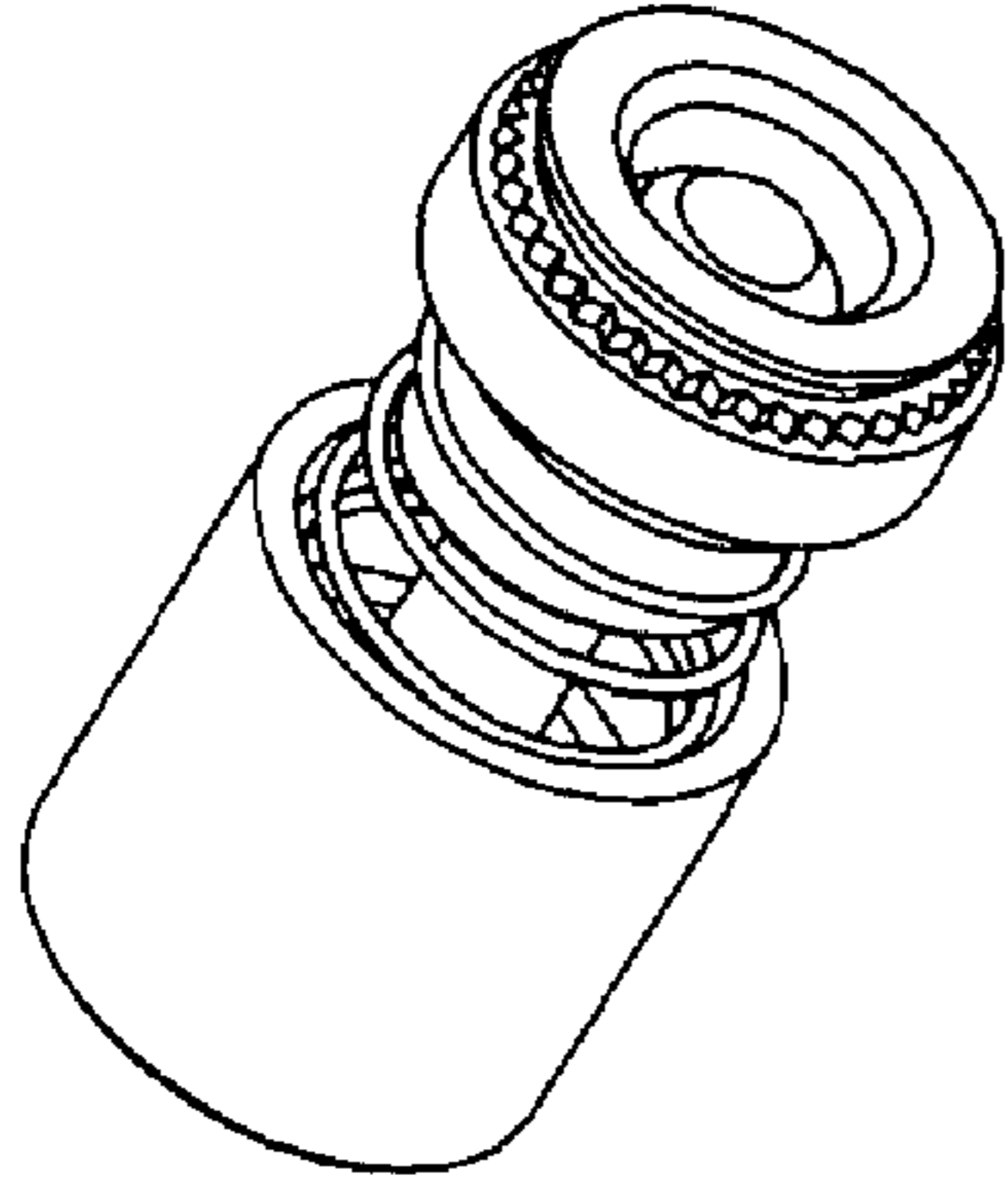


FIG. 3

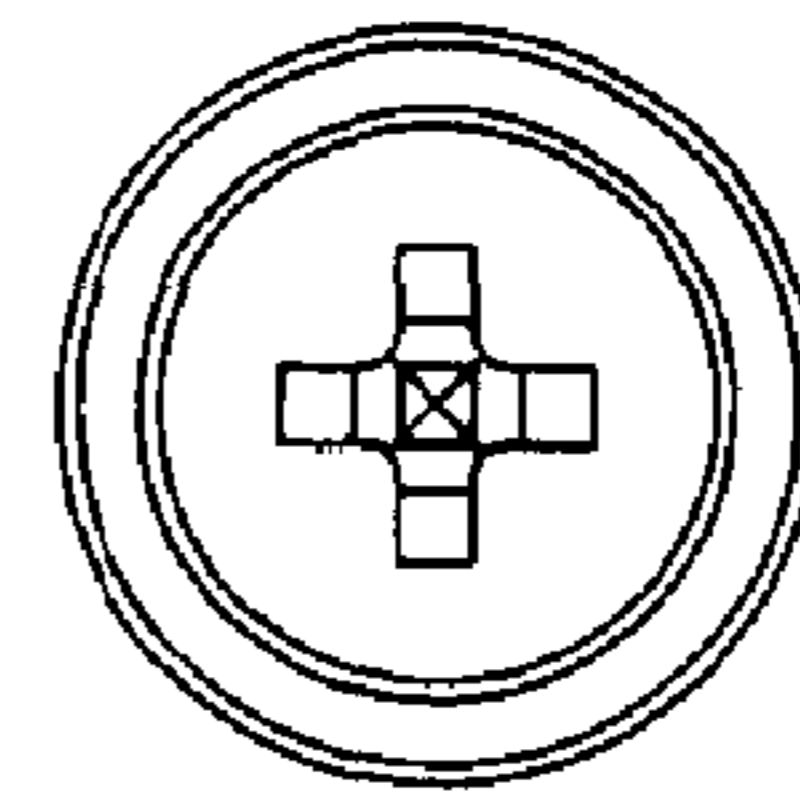


FIG. 4

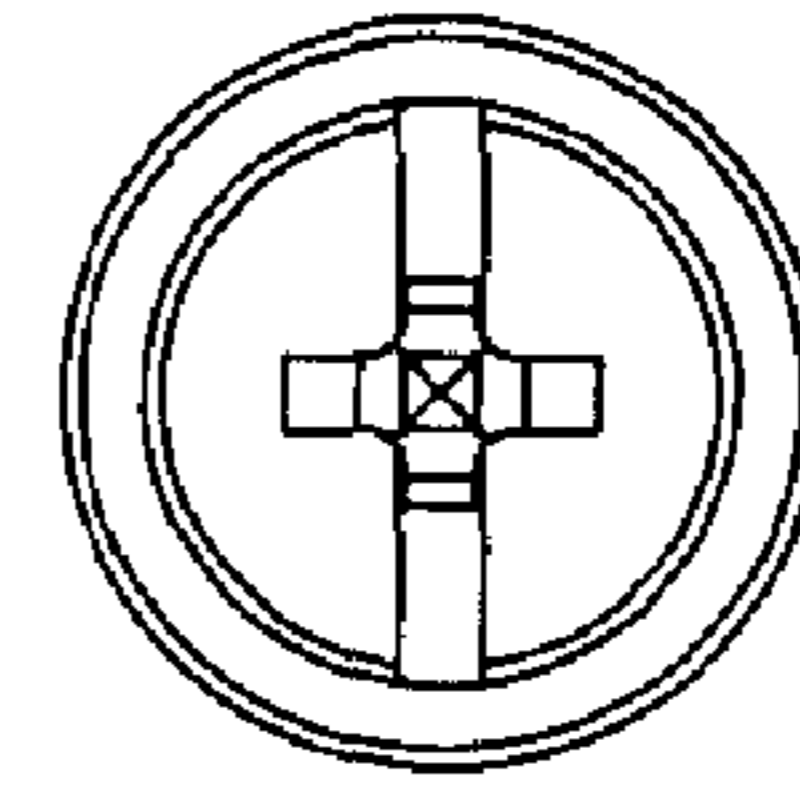


FIG. 5

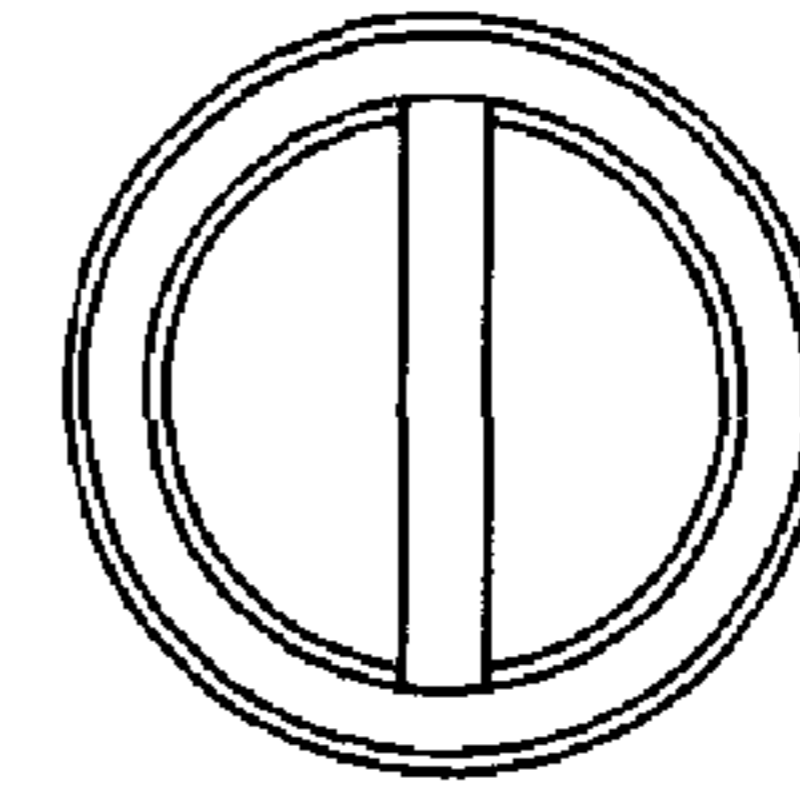


FIG. 6

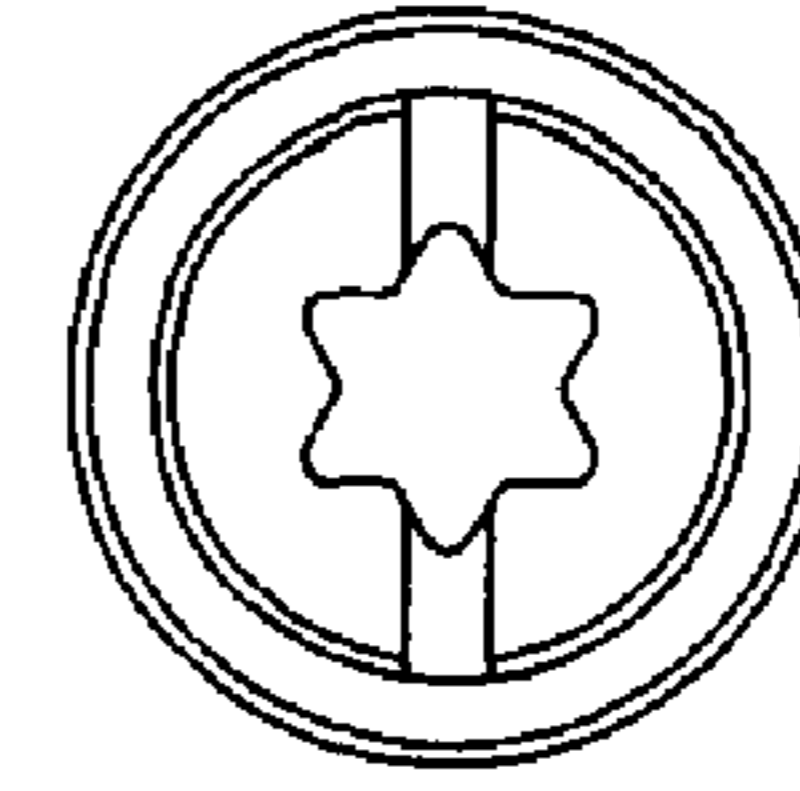


FIG. 7

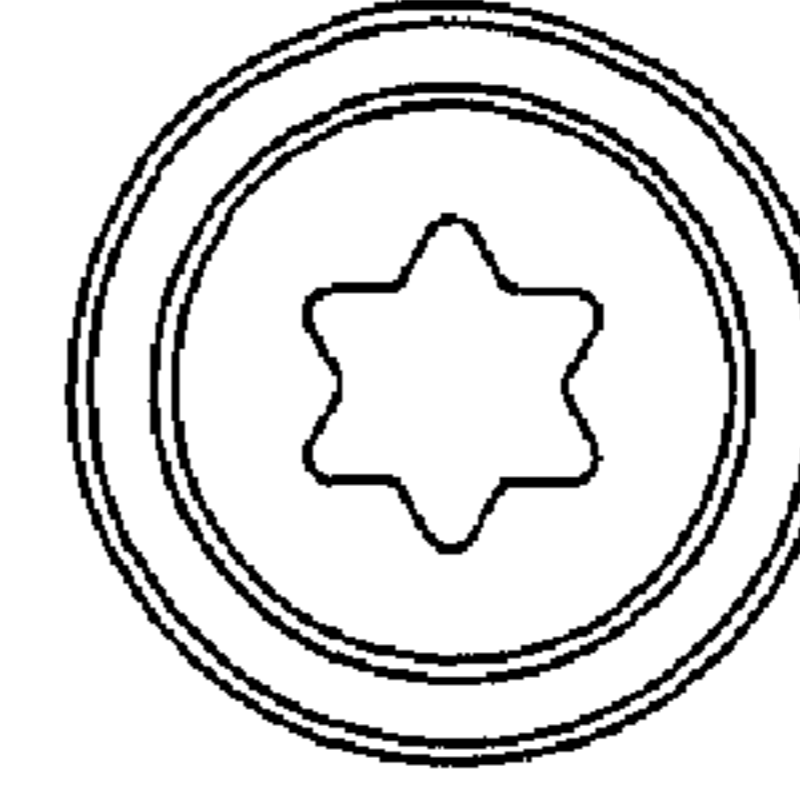


FIG. 8

UNITED STATES PATENT AND TRADEMARK OFFICE
CERTIFICATE OF CORRECTION

PATENT NO. : D639,648 S
APPLICATION NO. : 29/376251
DATED : June 14, 2011
INVENTOR(S) : Gregg Vincent Summers

Page 1 of 2

It is certified that error appears in the above-identified patent and that said Letters Patent is hereby corrected as shown below:

In the Drawings:

Delete the drawing sheet with Figures 1-8 and substitute the attached replacement sheet with Figures 1-8.

Signed and Sealed this
Sixth Day of August, 2013



Teresa Stanek Rea
Acting Director of the United States Patent and Trademark Office

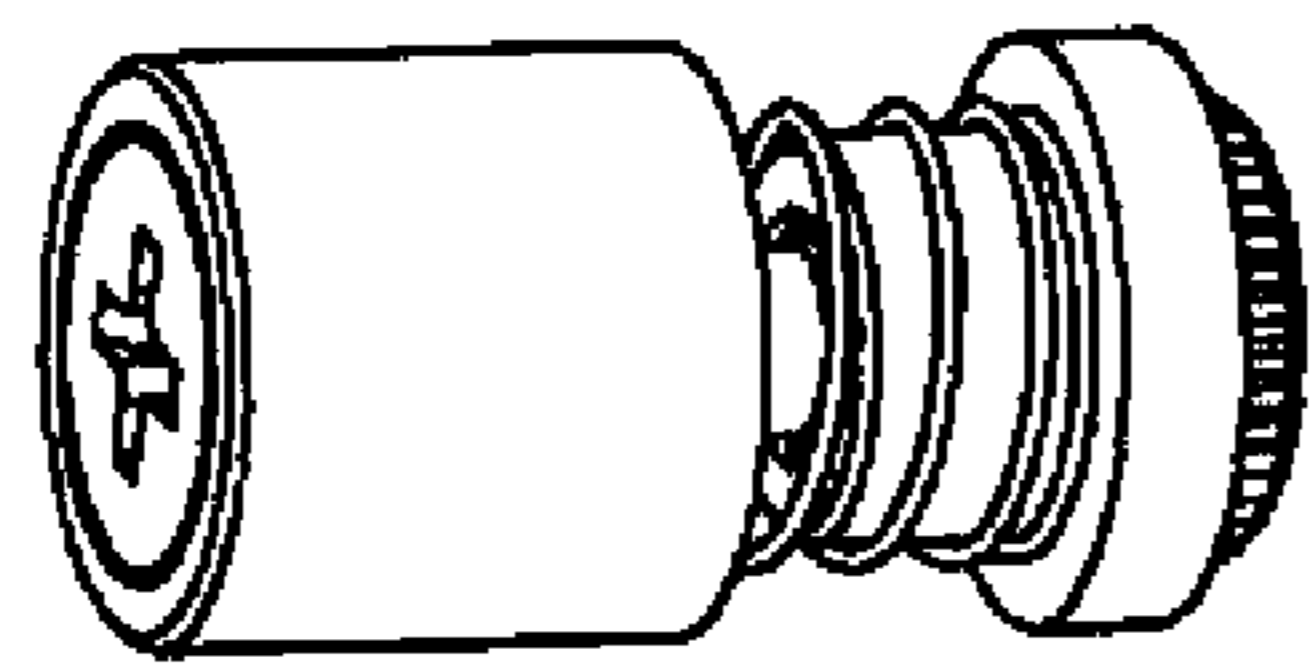


Fig. 1

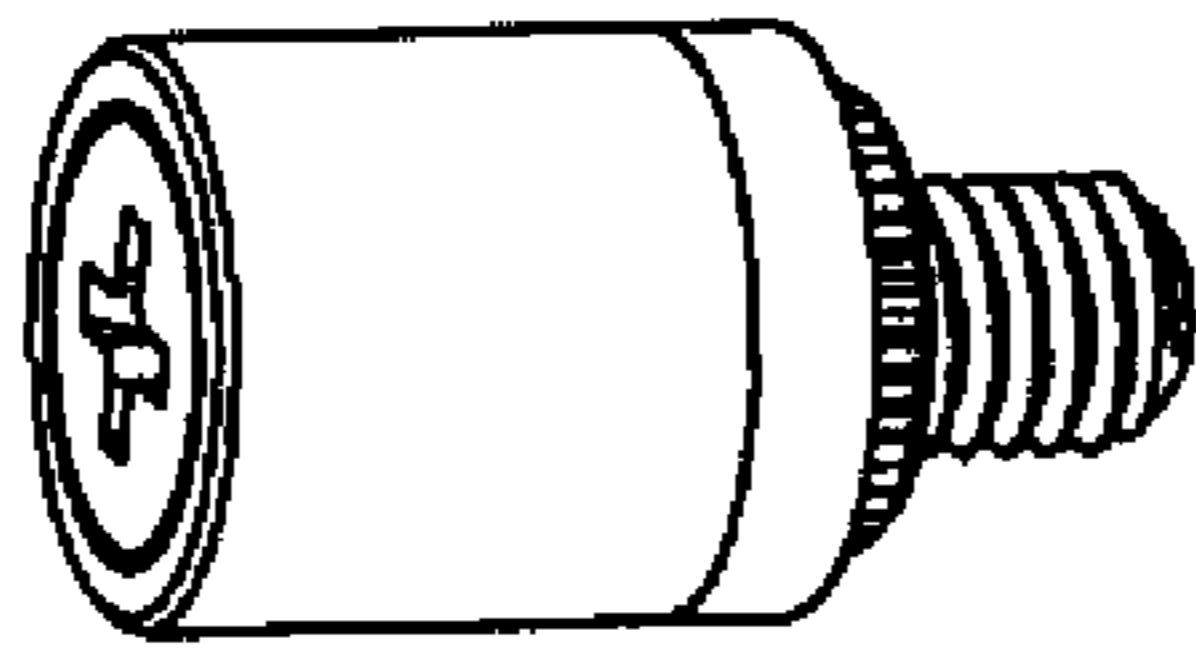


Fig. 2

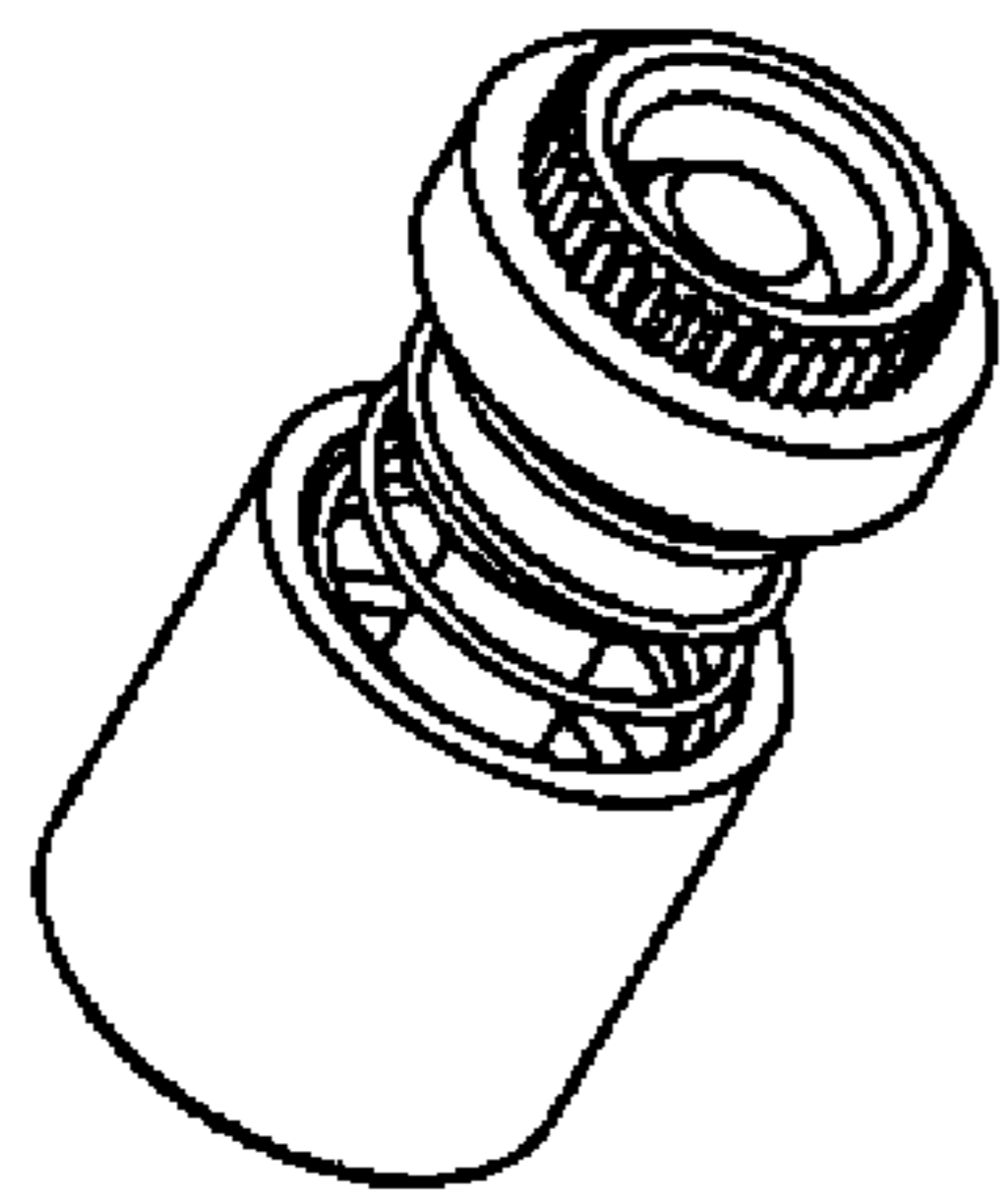


Fig. 3

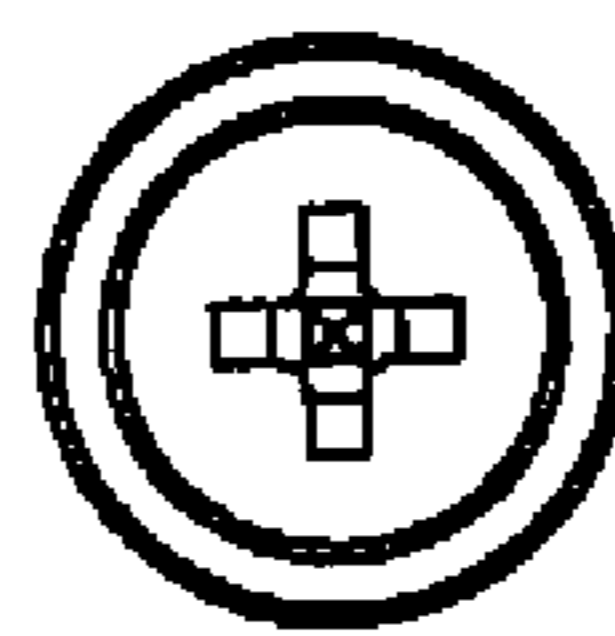


Fig. 4

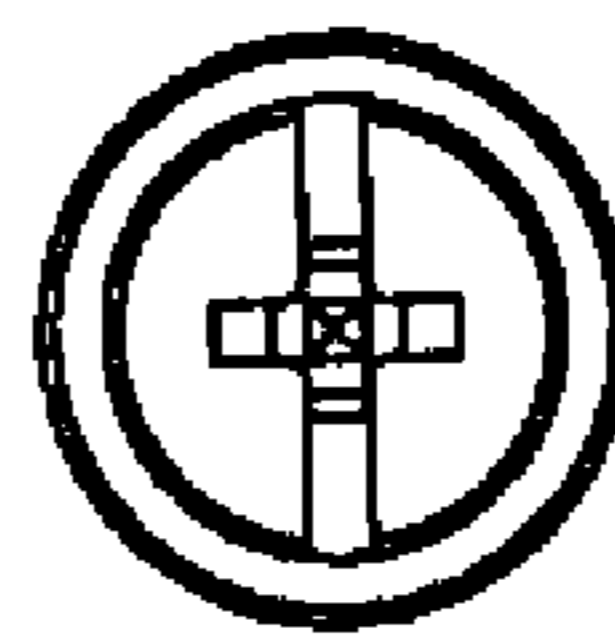


Fig. 5

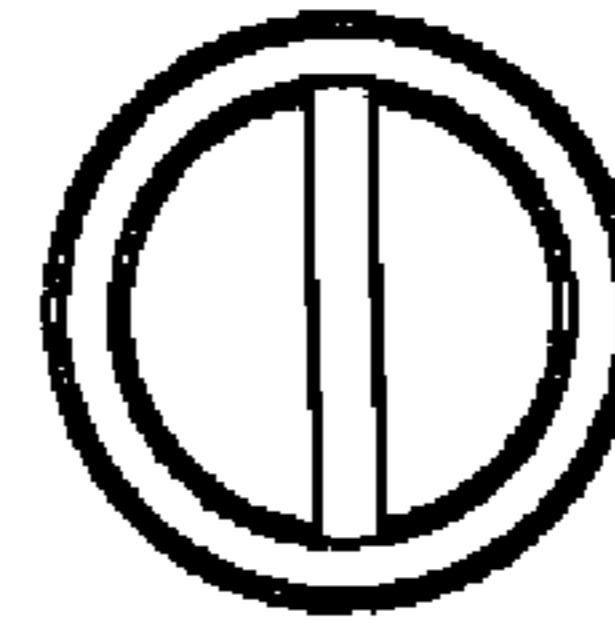


Fig. 6

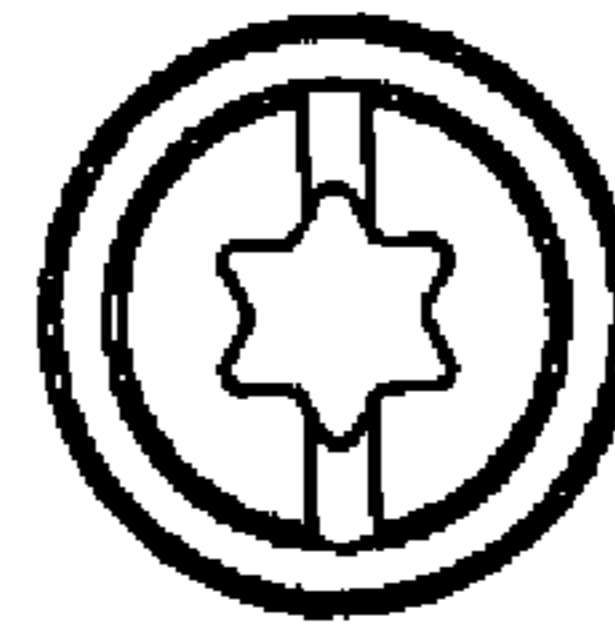


Fig. 7

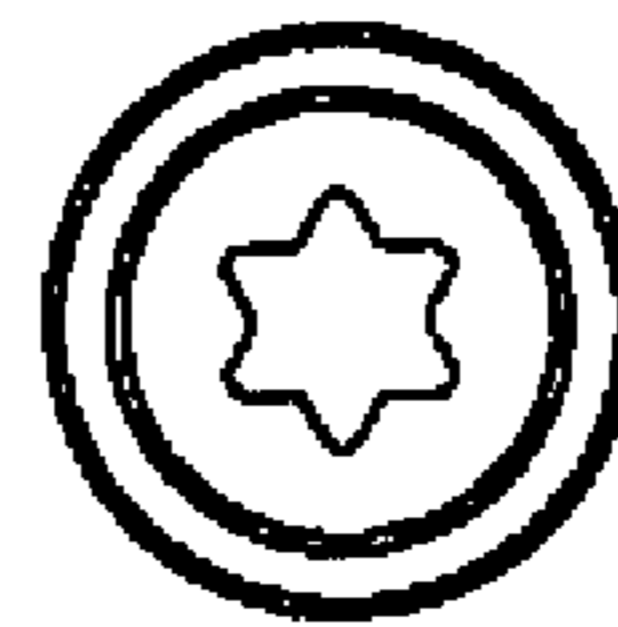


Fig. 8

UNITED STATES PATENT AND TRADEMARK OFFICE
CERTIFICATE OF CORRECTION

PATENT NO. : D639,648 S
APPLICATION NO. : 29/376251
DATED : June 14, 2011
INVENTOR(S) : Gregg Vincent Summers

Page 1 of 3

It is certified that error appears in the above-identified patent and that said Letters Patent is hereby corrected as shown below:

Delete the title page and substitute therefore the attached title page consisting of the corrected illustrative figure.

In the Drawings:

Delete the drawing sheet with Figures 1-8 and substitute the attached replacement sheet with Figures 1-8.

This certificate supersedes the Certificate of Correction issued August 6, 2013.

Signed and Sealed this
Twentieth Day of August, 2013



Teresa Stanek Rea
Acting Director of the United States Patent and Trademark Office

(12) **United States Design Patent** (10) **Patent No.:** **US D639,648 S**
Summers (45) **Date of Patent:** **** Jun. 14, 2011**

(54) **CAPTIVE SCREW**

(75) **Inventor:** **Gregg Vincent Summers**, Scottsdale, AZ (US)

(73) **Assignee:** **Peninsula Components, Inc.**, San Carlos, CA (US)

(**) **Term:** **14 Years**

(21) **Appl. No.:** **29/376,251**

(22) **Filed:** **Oct. 4, 2010**

Related U.S. Application Data

(62) Division of application No. 29/344,449, filed on Sep. 29, 2009, now Pat. No. Des. 627,215.

(51) **LOC (9) Cl.** **08-08**

(52) **U.S. Cl.** **D8/387**

(58) **Field of Classification Search** D8/387, D8/382; 411/352, 353, 378, 403, 366.1, 411/387.1, 393, 402

See application file for complete search history.

(56) **References Cited**

U.S. PATENT DOCUMENTS

D484,031 S *	12/2003	Ellis et al.	D8/387
D490,297 S *	5/2004	Menta	D8/387
D494,458 S *	8/2004	Aukzemas et al.	D8/387
D501,396 S *	2/2005	Frattarola	D8/387

D551,954 S * 10/2007 Tan D8/387
 * cited by examiner

Primary Examiner — Holly H Baynham

Assistant Examiner — Sheryl Lane

(74) *Attorney, Agent, or Firm* — Dergosits & Noah LLP

(57) **CLAIM**

The ornamental design for a captive screw, as shown and described.

DESCRIPTION

FIG. 1 is a side perspective view of a captive screw with a broaching retainer in a non-fastened position, all remaining sides being identical.

FIG. 2 is a side perspective view of the captive screw with a broaching retainer in a fastened position, all remaining sides being identical.

FIG. 3 is a bottom perspective view of the captive screw shown in FIG. 1.

FIG. 4 is a top plan view of the captive screw shown in FIG. 1.

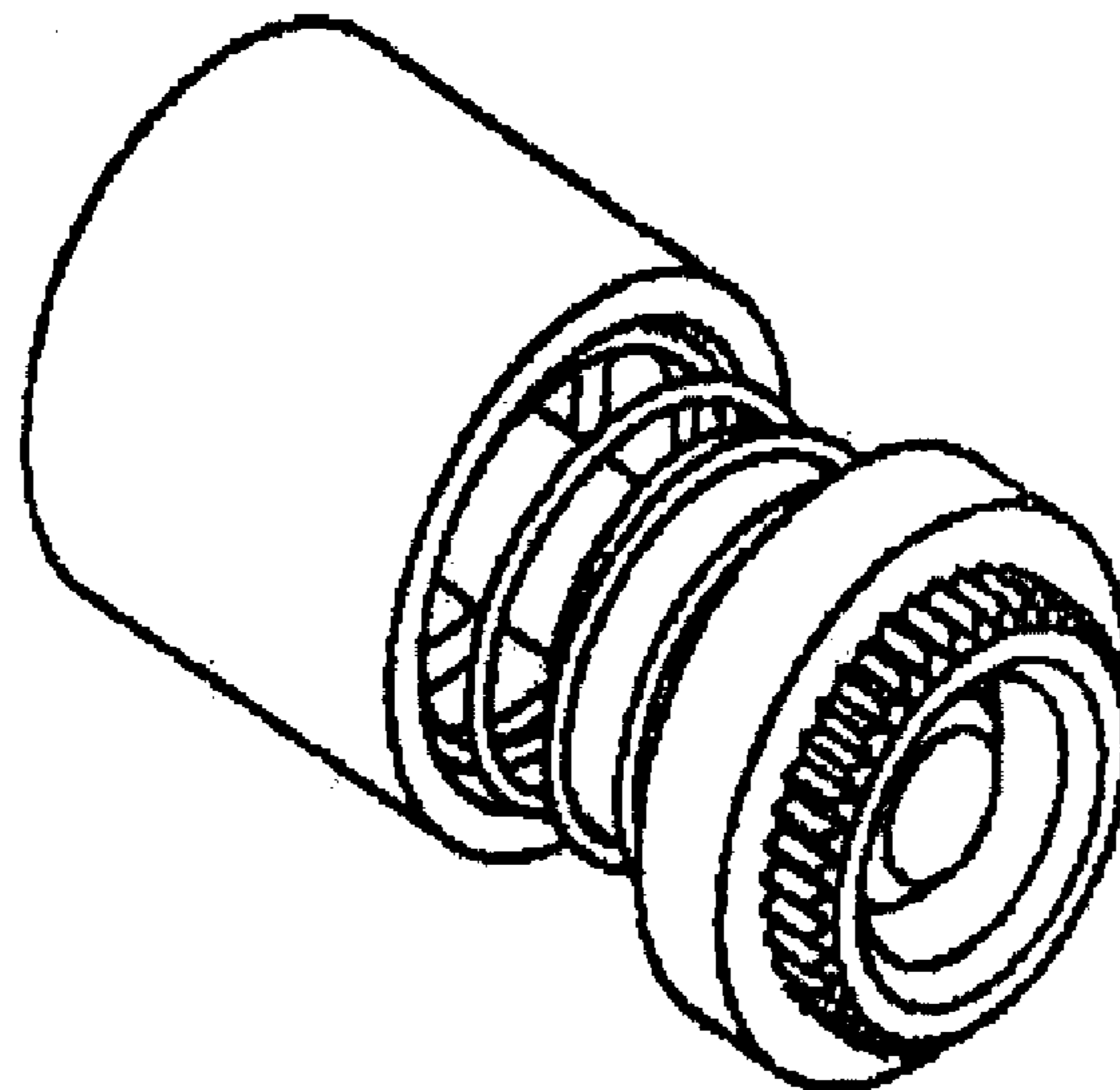
FIG. 5 is an alternative top plan view of the captive screw of FIG. 1 showing a combination slotted/cross driver recess.

FIG. 6 is an alternative top plan view of the captive screw of FIG. 1 showing a slotted driver recess.

FIG. 7 is an alternative top plan view of the captive screw of FIG. 1 showing a slotted six-lobed driver recess; and,

FIG. 8 is an alternative top plan view of the captive screw of FIG. 1 showing a six-lobed driver recess.

1 Claim, 1 Drawing Sheet



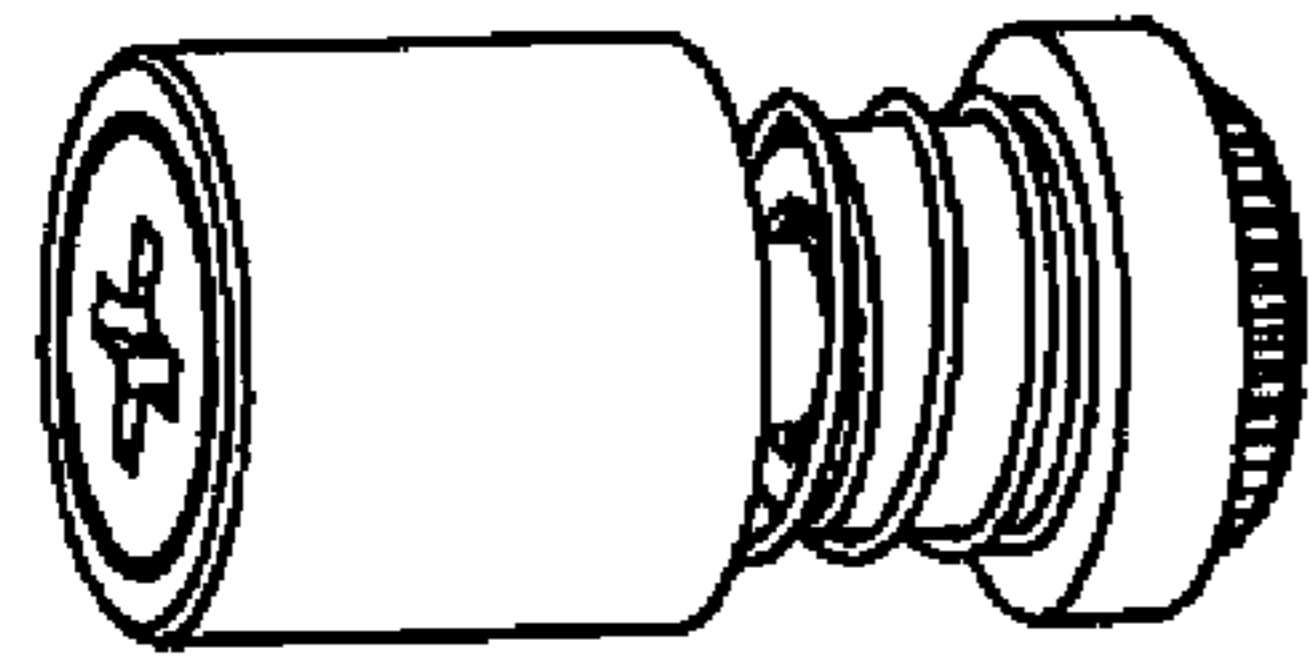


Fig. 1

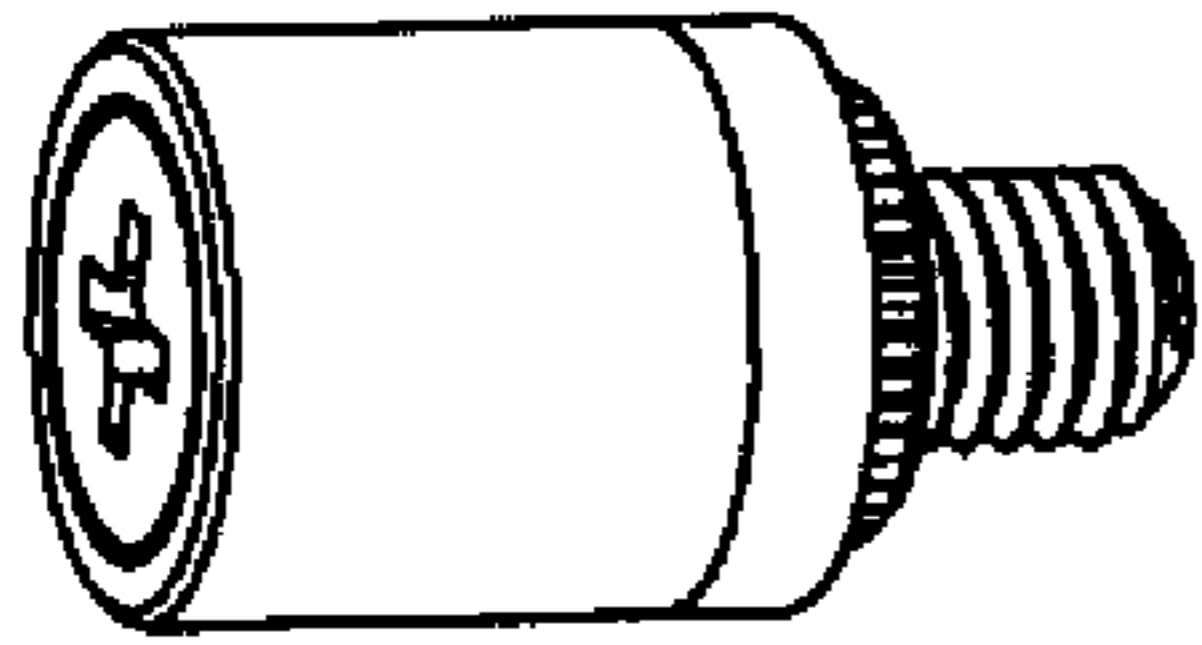


Fig. 2

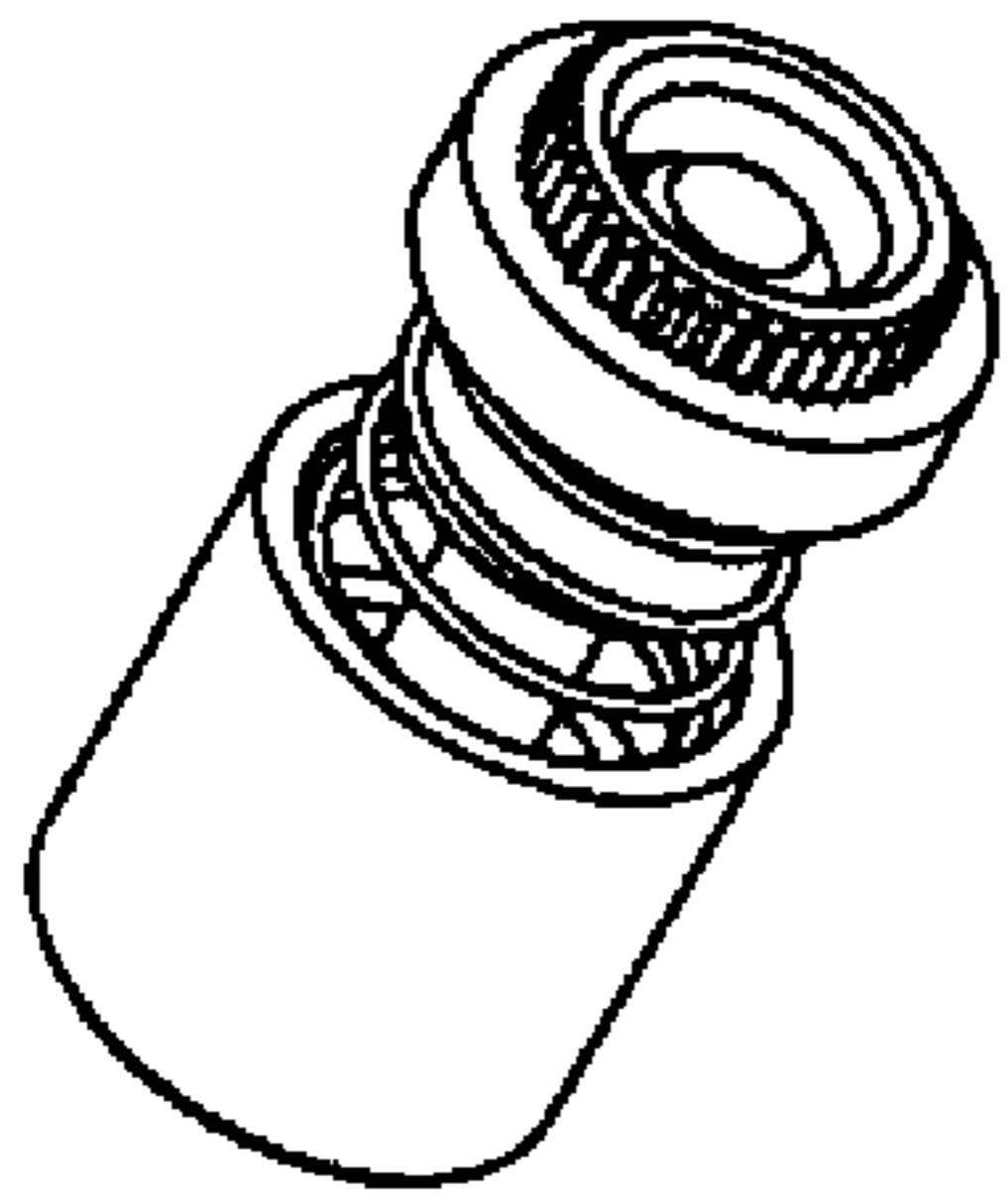


Fig. 3

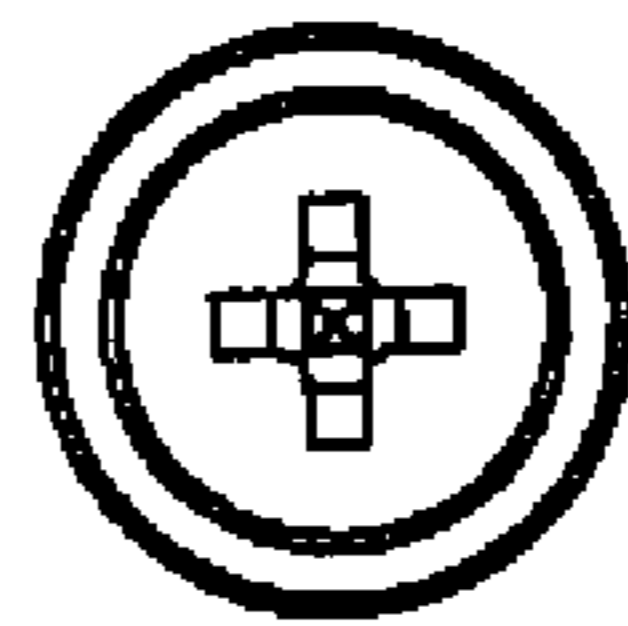


Fig. 4

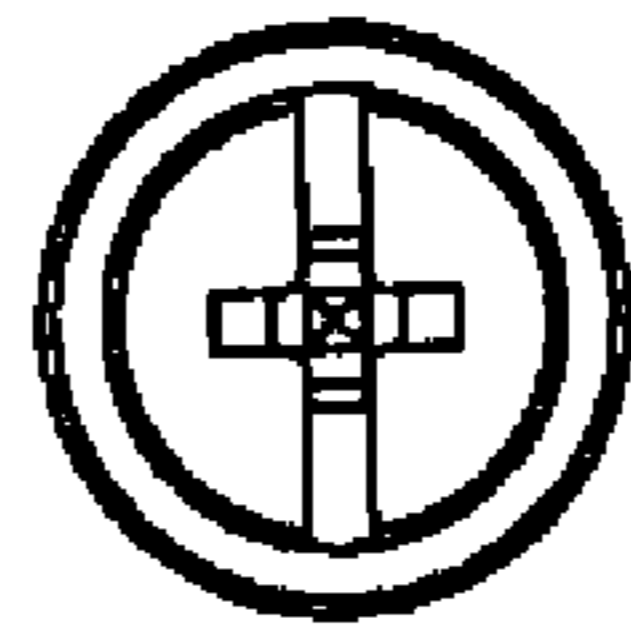


Fig. 5

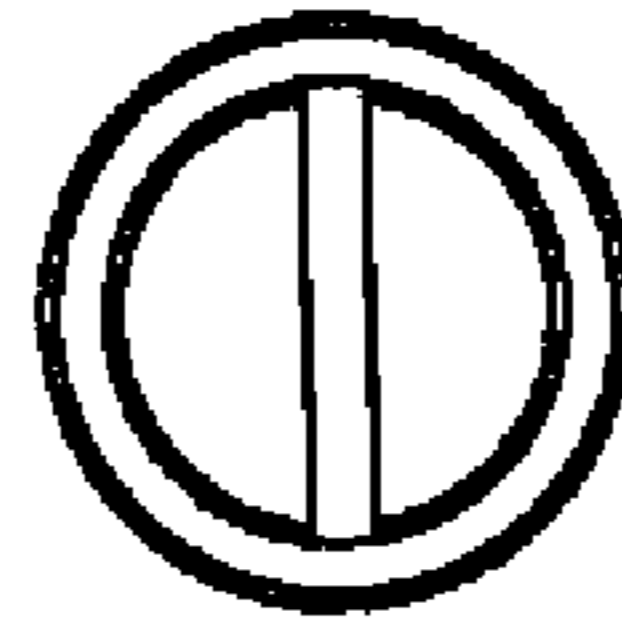


Fig. 6

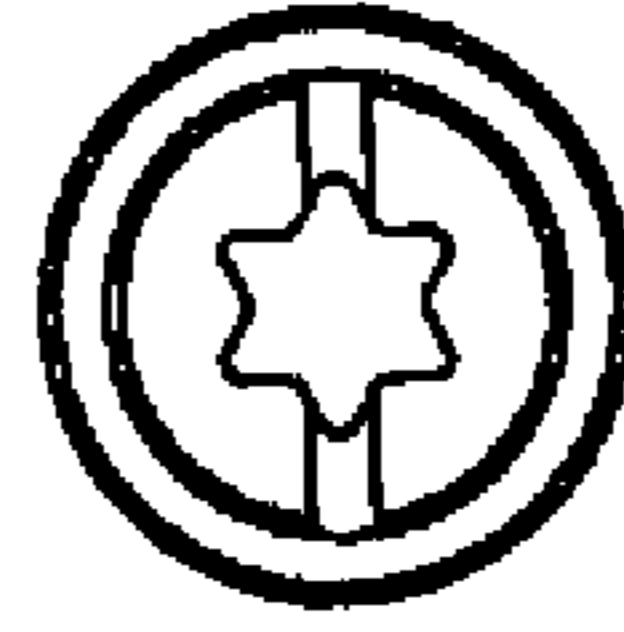


Fig. 7

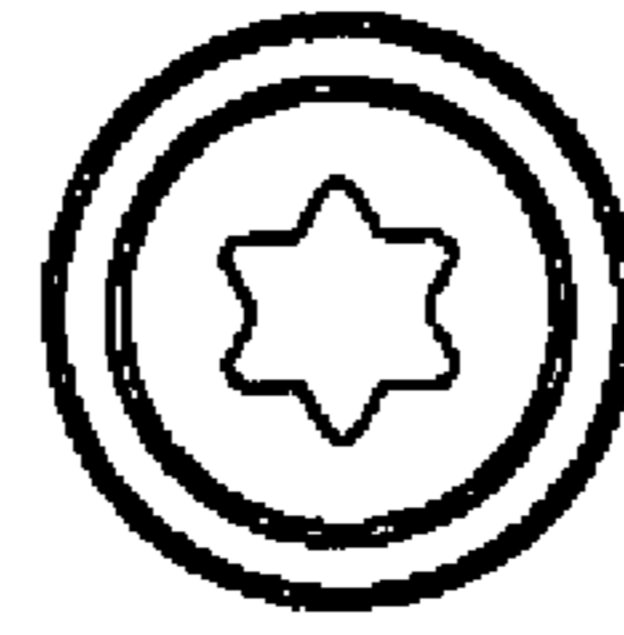


Fig. 8