



US00D639646S

(12) **United States Design Patent**
Finley, Jr.

(10) **Patent No.:** **US D639,646 S**

(45) **Date of Patent:** **** Jun. 14, 2011**

(54) **T-HANDLE GAUGE BOLT**

(76) Inventor: **Robert L. Finley, Jr.**, Jensen Beach, FL
(US)

(**) Term: **14 Years**

(21) Appl. No.: **29/365,259**

(22) Filed: **Jul. 7, 2010**

(51) **LOC (9) Cl.** **08-08**

(52) **U.S. Cl.** **D8/387**

(58) **Field of Classification Search** D8/387;
411/403, 337, 378, 410, 402, 411, 393
See application file for complete search history.

(56) **References Cited**

U.S. PATENT DOCUMENTS

D35,172 S *	10/1901	McCarty	D8/387
D135,661 S *	5/1943	Krouter	D8/387
D252,013 S *	6/1979	Casey	D8/387
D260,103 S *	8/1981	Appel et al.	D21/483

D625,977 S * 10/2010 Watson et al. D8/51
* cited by examiner

Primary Examiner — Holly H Baynham

Assistant Examiner — Sheryl Lane

(74) *Attorney, Agent, or Firm* — Sinorica, LLC

(57) **CLAIM**

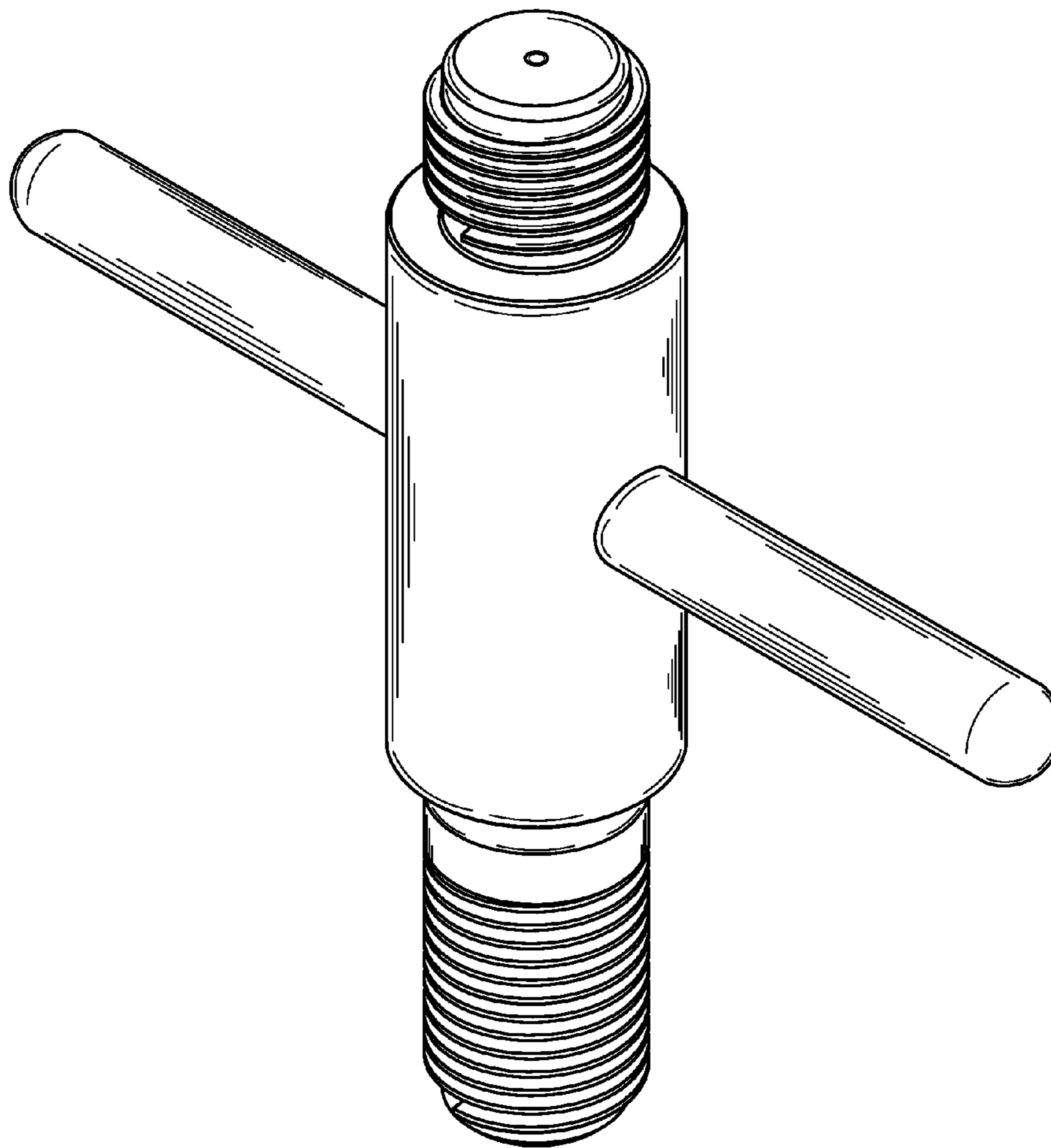
The ornamental design of a T-handle gauge bolt, as shown and described.

DESCRIPTION

FIG. 1 is a perspective view of a T-handle gauge bolt;
FIG. 2 is a front elevational view thereof;
FIG. 3 is a rear elevational view thereof;
FIG. 4 is a left-side elevational view thereof;
FIG. 5 is a right-side elevational view thereof;
FIG. 6 is a bottom plan view thereof; and,
FIG. 7 is a top plan view thereof.

The broken line showing of a T-handle gauge bolt is for the purpose of illustrating environmental structure and forms no part of the claimed design.

1 Claim, 7 Drawing Sheets



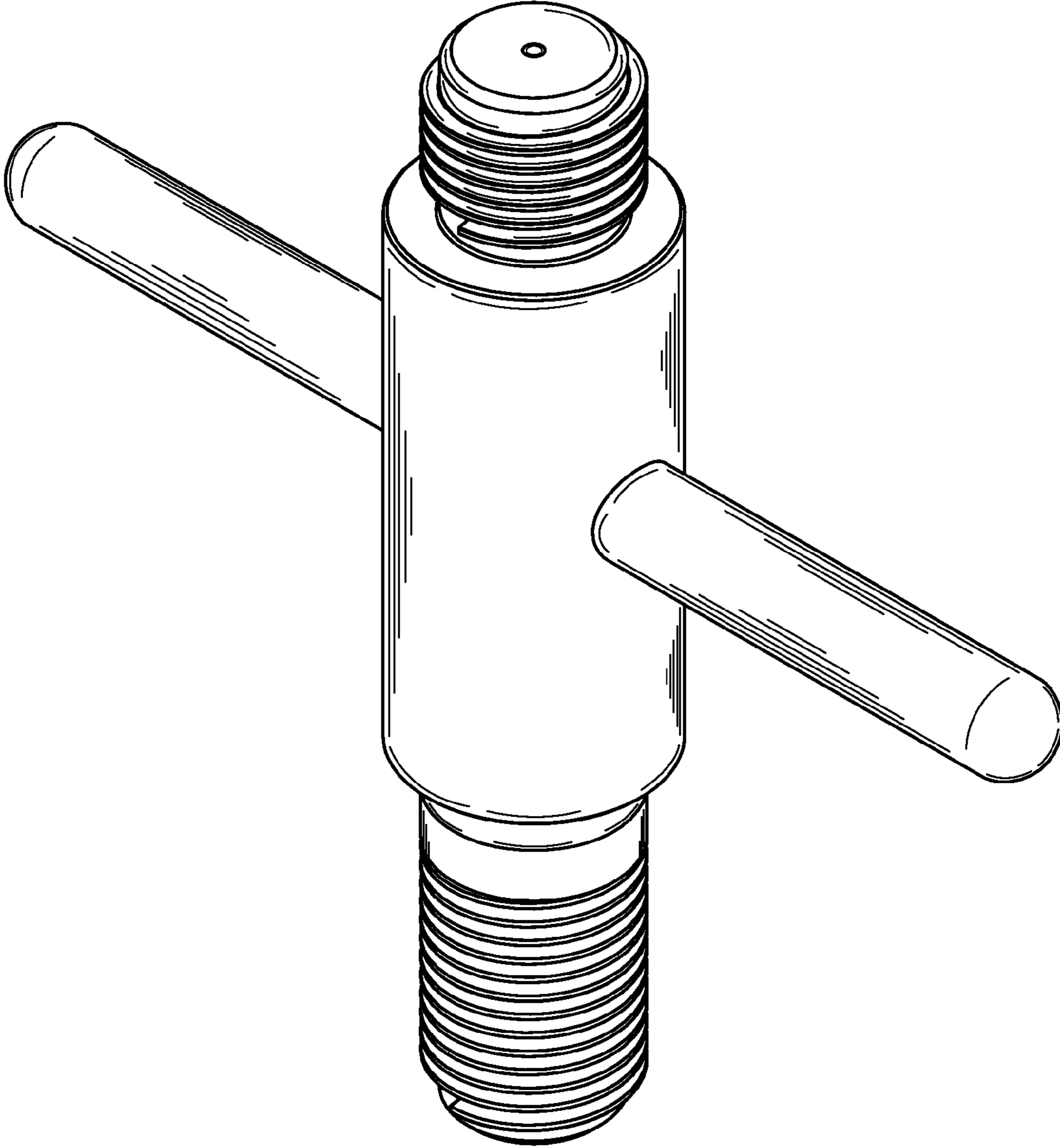


FIG. 1

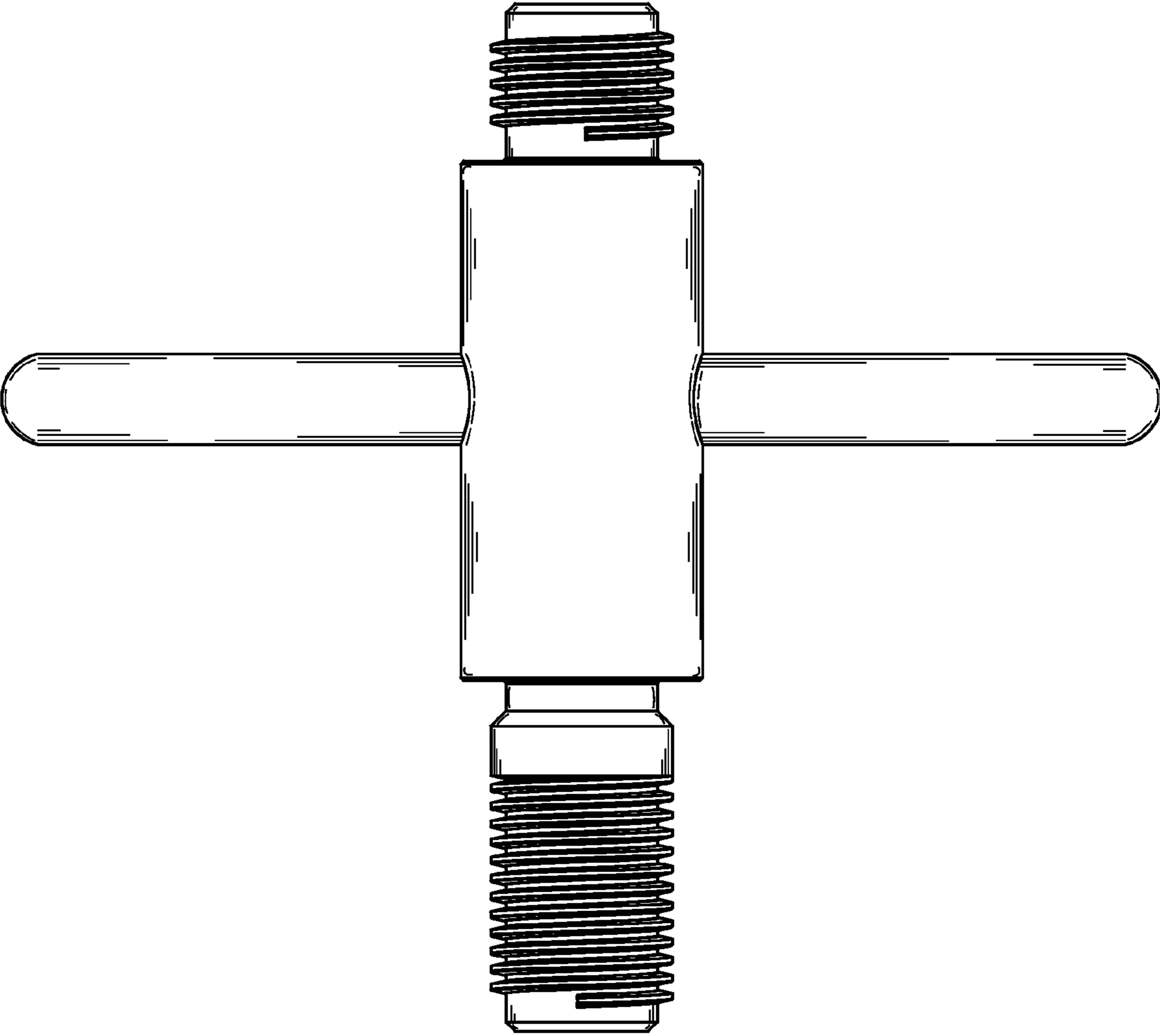


FIG. 2

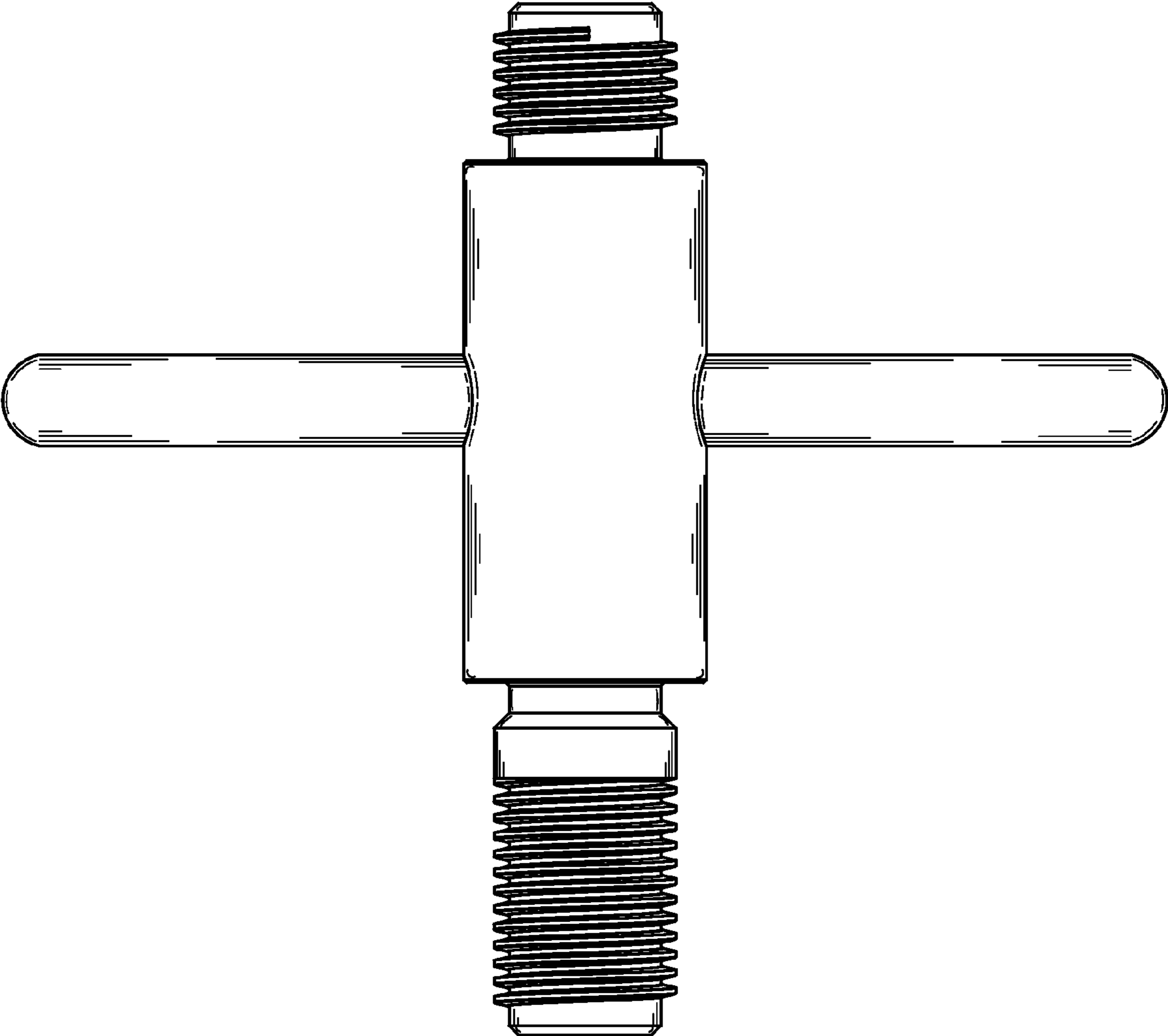


FIG. 3

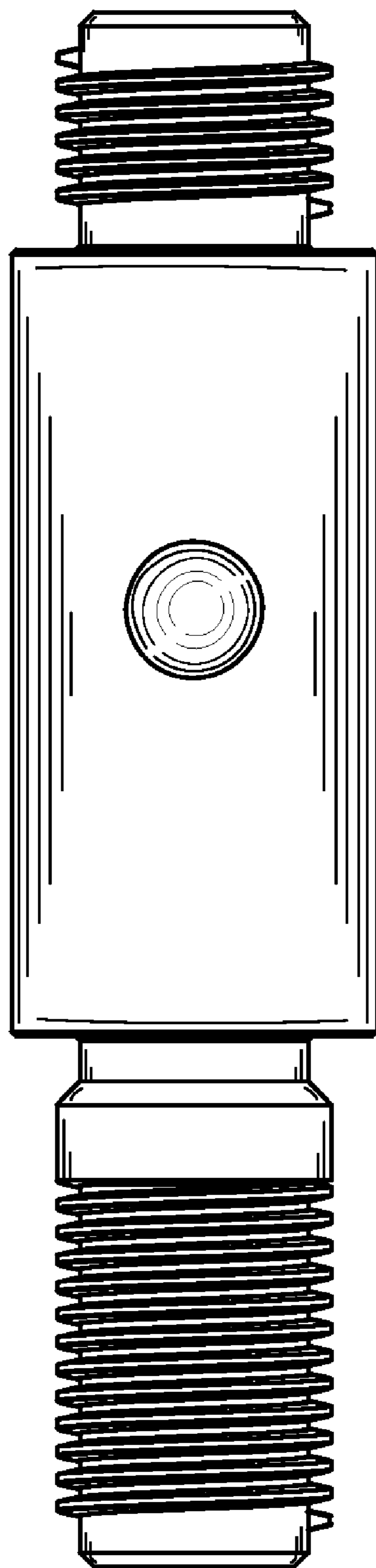


FIG. 4

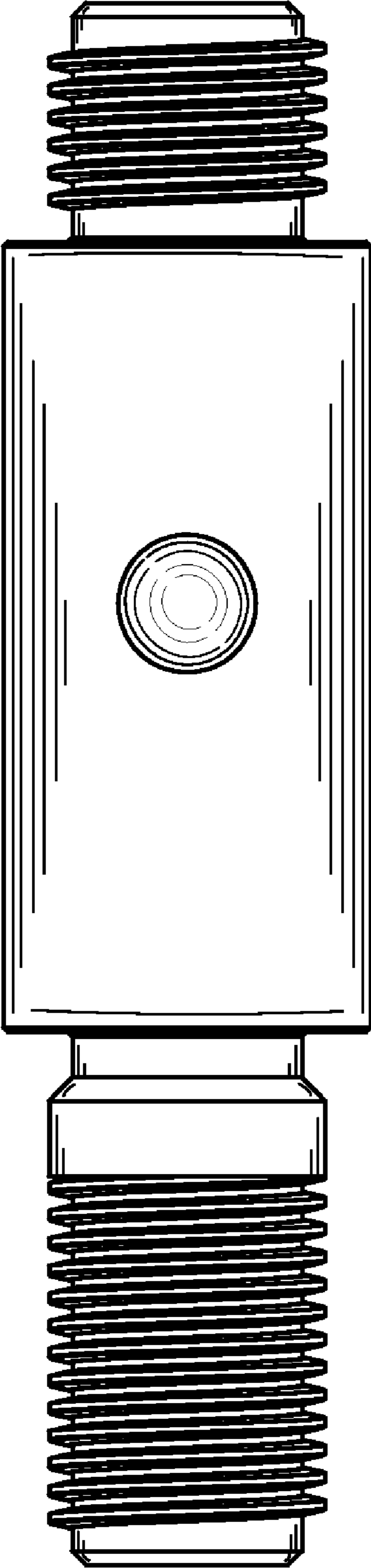


FIG. 5

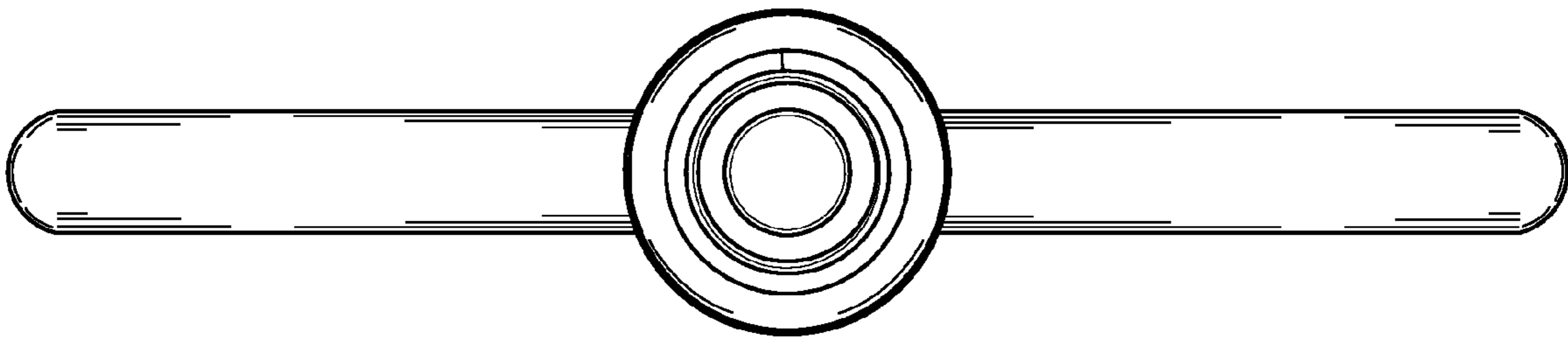


FIG. 6

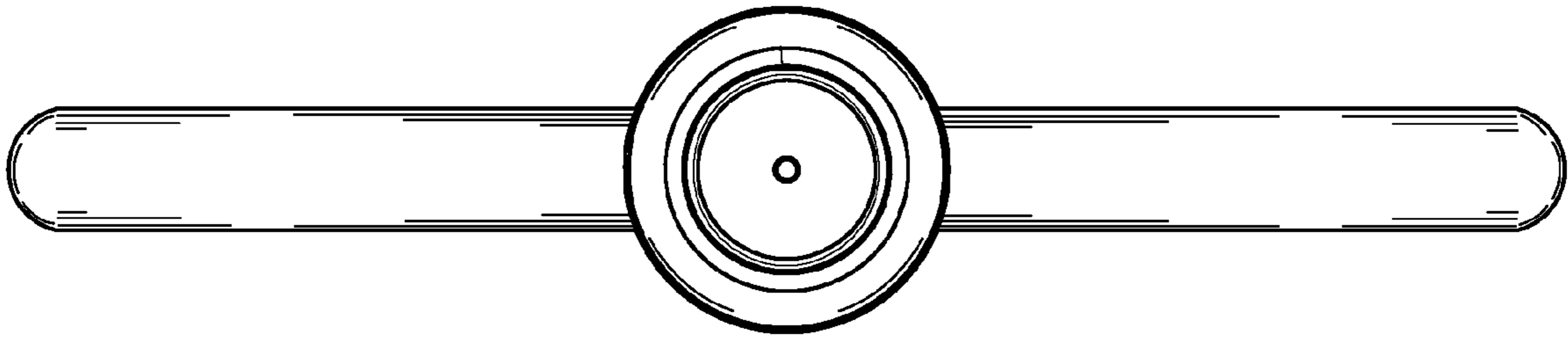


FIG. 7