

US00D639645S

(12) **United States Design Patent**
Carrillo, Sr. et al.

(10) **Patent No.:** **US D639,645 S**
(45) **Date of Patent:** **** Jun. 14, 2011**

- (54) **SCREW WITH ELONGATE HEAD**
- (75) Inventors: **Daniel Carrillo, Sr.**, Palmdale, CA (US); **Hector Carrillo, Jr.**, Palmdale, CA (US)
- (73) Assignee: **Removerite Incorporated**, Palmdale, CA (US)
- (**) Term: **14 Years**
- (21) Appl. No.: **29/364,768**
- (22) Filed: **Jun. 28, 2010**
- (51) **LOC (9) Cl.** **08-08**
- (52) **U.S. Cl.** **D8/387**
- (58) **Field of Classification Search** D8/387;
411/403, 337, 378, 410, 402, 411
See application file for complete search history.

- D557,131 S 12/2007 Liu
- D567,074 S 4/2008 Gallien
- D567,644 S 4/2008 Liu
- D585,731 S * 2/2009 Carrillo et al. D8/387
- D614,942 S * 5/2010 Gaudron D8/387

* cited by examiner

Primary Examiner — Holly H Baynham

Assistant Examiner — Sheryl Lane

(74) *Attorney, Agent, or Firm* — Christie, Parker & Hale, LLP

(57) **CLAIM**

The ornamental design for screw with elongate head, as shown and described.

DESCRIPTION

FIG. 1 is a perspective view of the screw with elongated head. FIG. 2 is a side view thereof showing two flat sides of the elongated head.

FIG. 3 is a side view thereof with the screw rotated to show three flat sides of the elongated head.

FIG. 4 is a top view thereof; and,

FIG. 5 is a bottom view thereof.

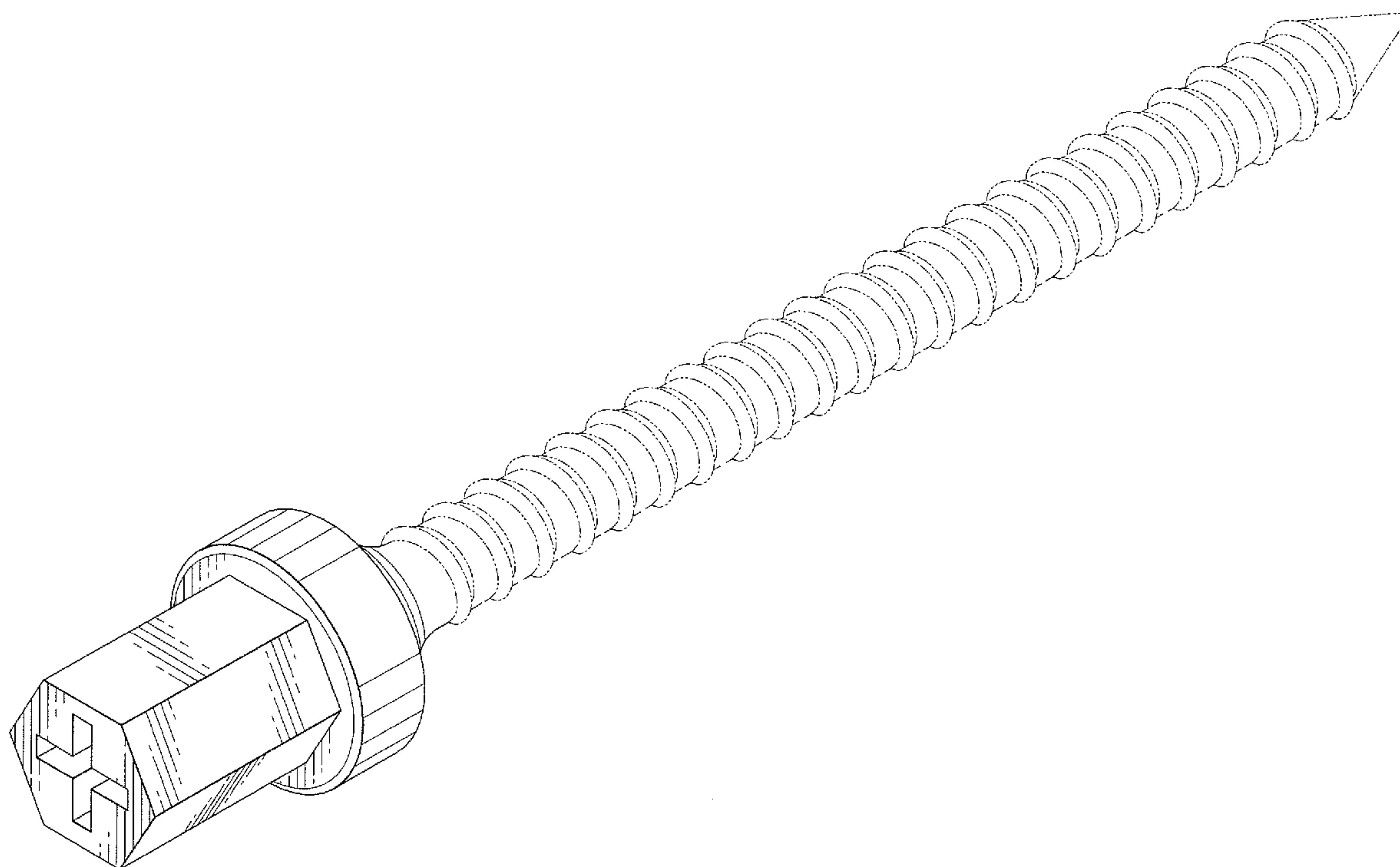
The broken line showing of the shaft area is included for the purpose of illustrating portions of the article and forms no part of the claimed design.

1 Claim, 2 Drawing Sheets

(56) **References Cited**

U.S. PATENT DOCUMENTS

- 1,908,215 A 5/1933 Berge
- D207,123 S 3/1967 Flood
- 3,463,209 A 8/1969 Podolsky
- D264,807 S * 6/1982 Baumgartner D8/387
- 6,332,741 B1 * 12/2001 Janusz 411/412
- D455,338 S 4/2002 Moser
- 7,063,491 B2 6/2006 French
- D531,491 S * 11/2006 Liu D8/387
- D549,088 S 8/2007 Gallien
- D551,543 S 9/2007 Williams et al.
- D552,976 S 10/2007 Gaudron



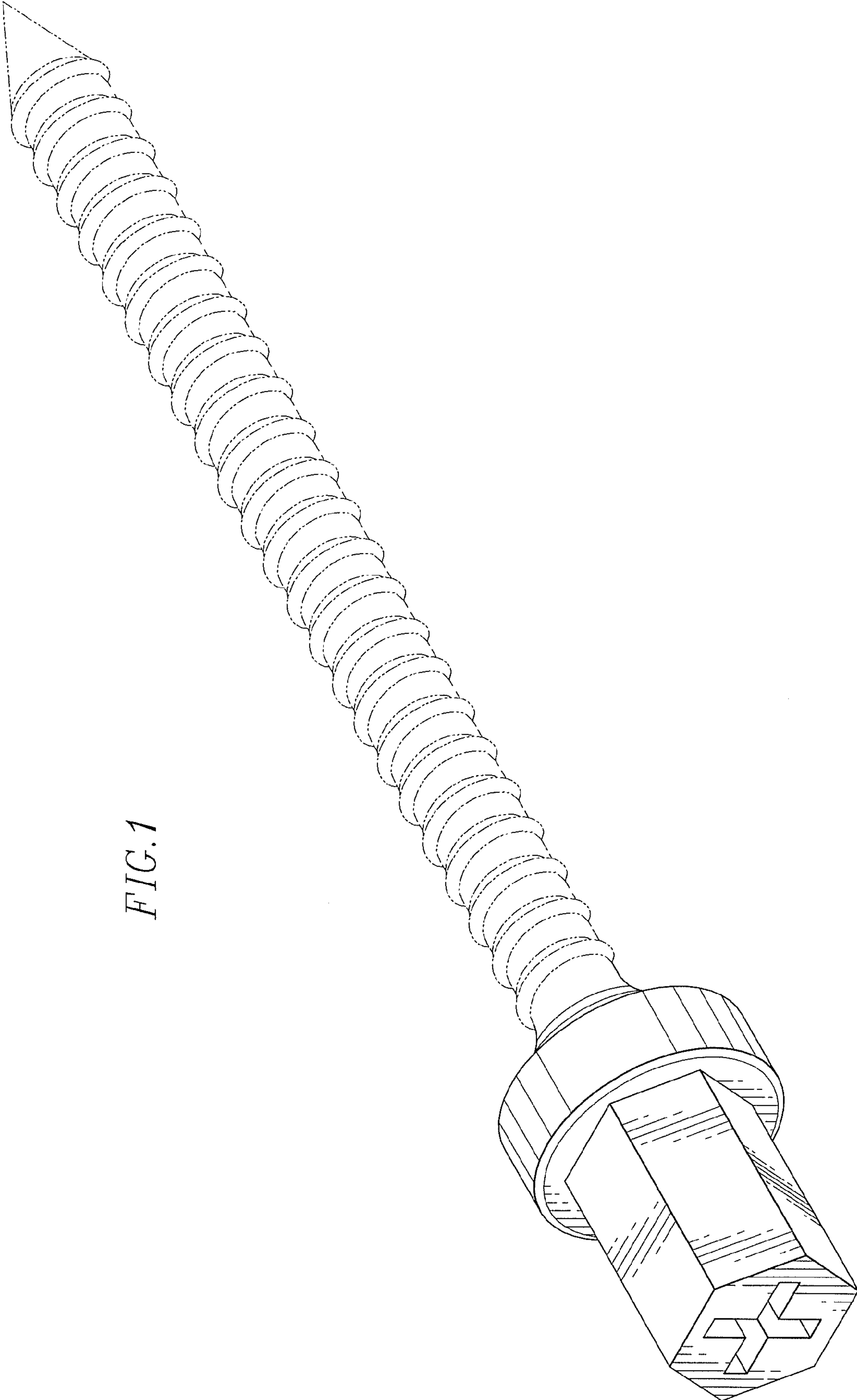


FIG. 1

FIG. 2

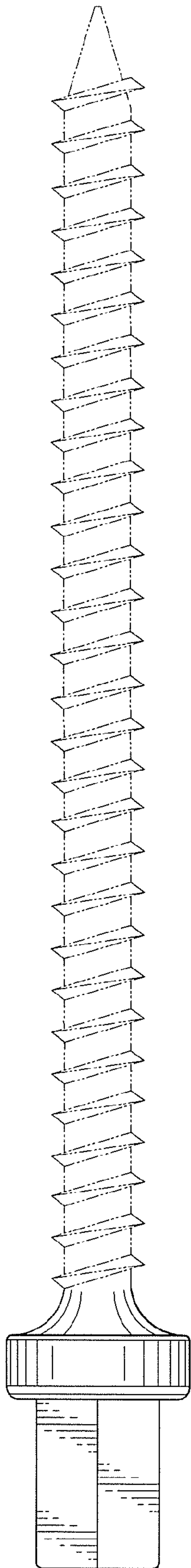


FIG. 3

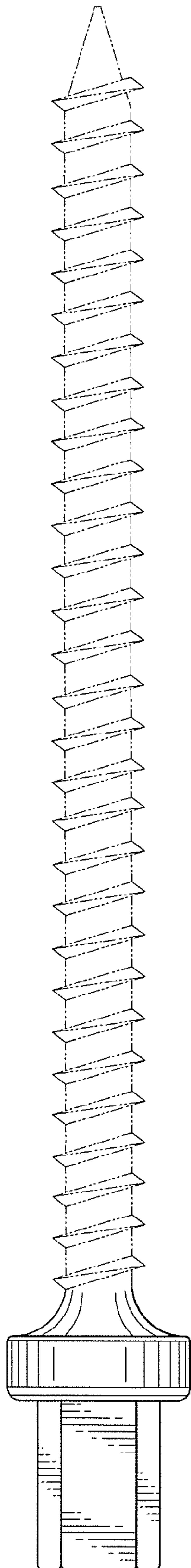


FIG. 4

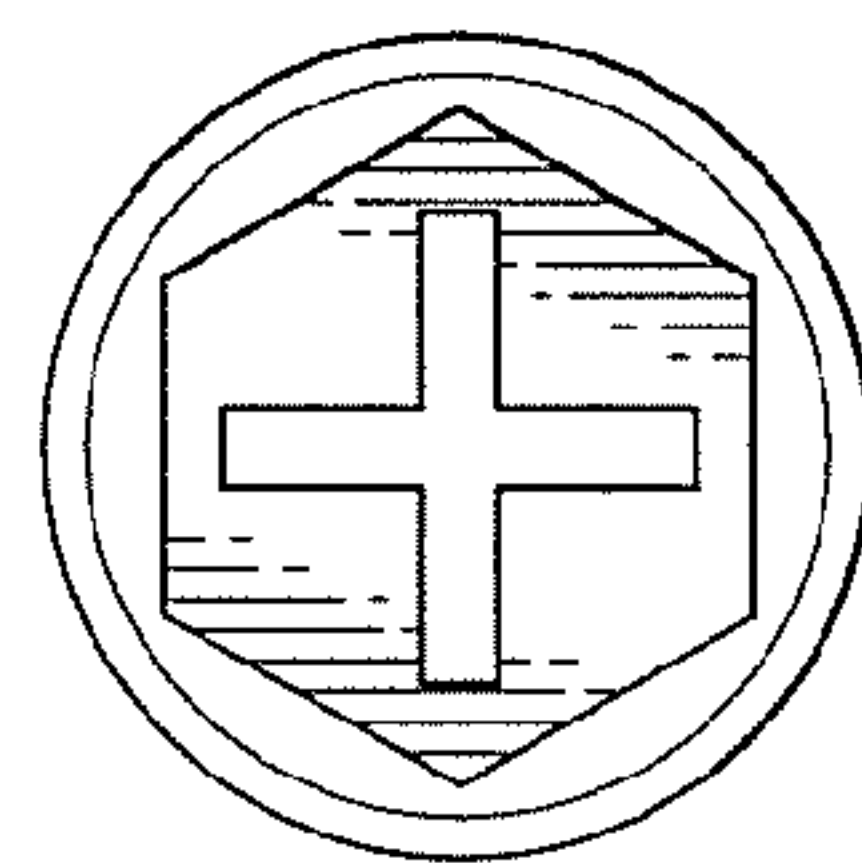


FIG. 5

