



US00D639644S

(12) **United States Design Patent**  
**Tremaine, III et al.**

(10) **Patent No.:** **US D639,644 S**  
(45) **Date of Patent:** **\*\* Jun. 14, 2011**

(54) **STAR INSERT**

D592,044 S \* 5/2009 Bulte ..... D8/387  
D596,483 S \* 7/2009 Yehling ..... D8/397  
D612,714 S \* 3/2010 Skubic ..... D8/387

\* cited by examiner

(75) Inventors: **Burton G. Tremaine, III**, Essex, CT  
(US); **Victor Rivera**, Port St. Lucie, FL  
(US)

*Primary Examiner* — Holly H. Baynham  
*Assistant Examiner* — Sheryl Lane

(73) Assignee: **Storm Solutions Inc.**, Essex, CT (US)

(74) *Attorney, Agent, or Firm* — Ryan A. Schnieder, Esq.;  
Troutman Sanders LLP

(\*\*) Term: **14 Years**

(57) **CLAIM**  
The ornamental design for a star insert, as shown and described.

(21) Appl. No.: **29/353,671**

**DESCRIPTION**

(22) Filed: **Jan. 12, 2010**

(51) **LOC (9) Cl.** ..... **08-08**

(52) **U.S. Cl.** ..... **D8/387**

(58) **Field of Classification Search** ..... D8/387;  
411/403, 337, 378, 410, 402, 411, 393  
See application file for complete search history.

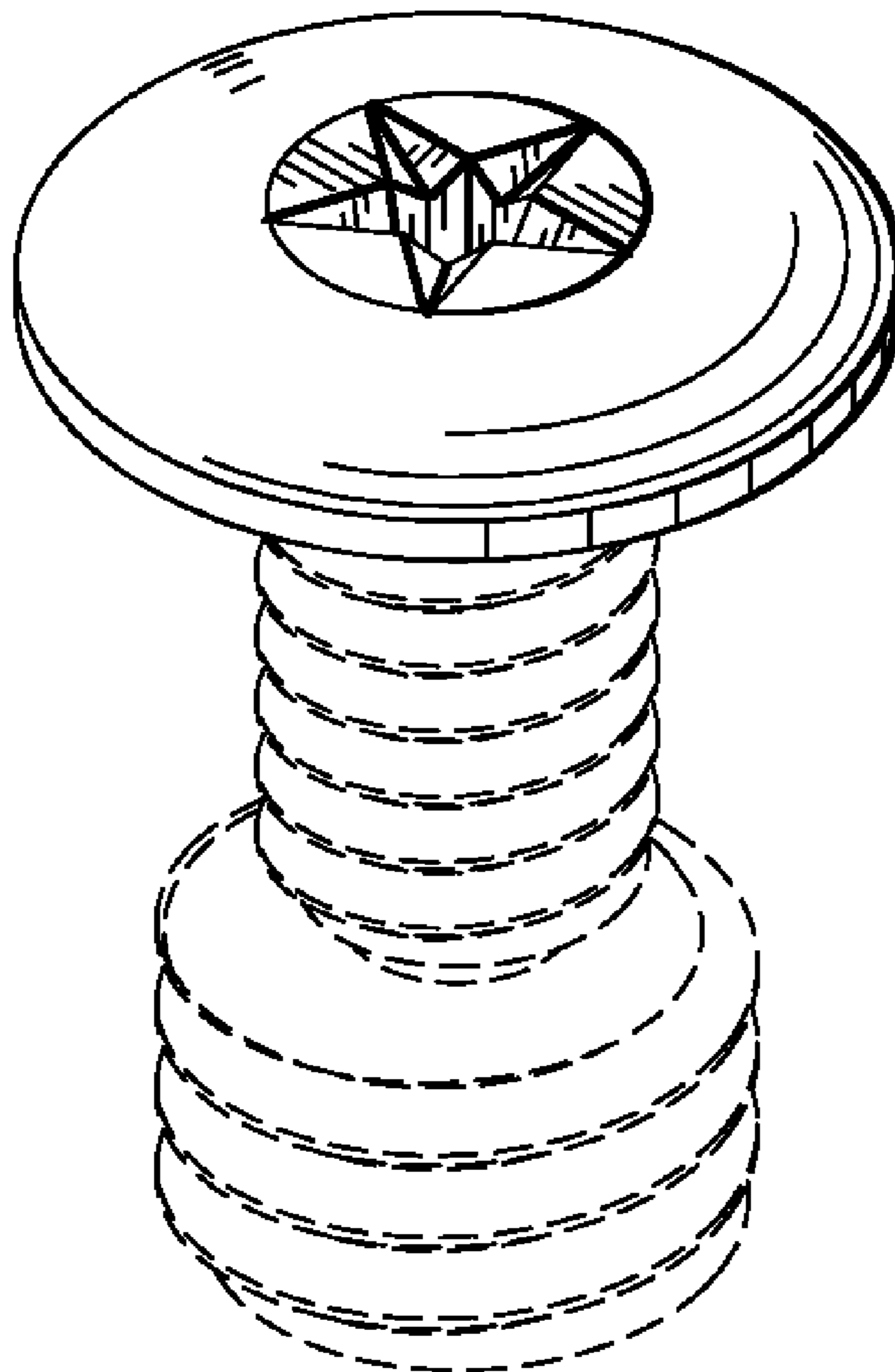
FIG. 1 is a top perspective view of the present invention;  
FIG. 2 is a bottom perspective view of the present invention of FIG. 1;  
FIG. 3 is a side view of the present invention of FIG. 1;  
FIG. 4 is a cross-sectional view of the present invention of FIG. 1, taken along section 4—4 of FIG. 5;  
FIG. 5 is a top view of the present invention of FIG. 1; and,  
FIG. 6 is a bottom view of the present invention of FIG. 1.  
The broken lines which define the bounds of the claim are included for the purpose of illustrating boundaries and form no part of the claimed design. The broken lines which define the star insert are included for the purpose of illustrating portions of the article and forms no part of the claimed design.

(56) **References Cited**

U.S. PATENT DOCUMENTS

D517,404 S \* 3/2006 Schluter ..... D8/387  
D559,094 S \* 1/2008 Totsu ..... D8/387

**1 Claim, 1 Drawing Sheet**



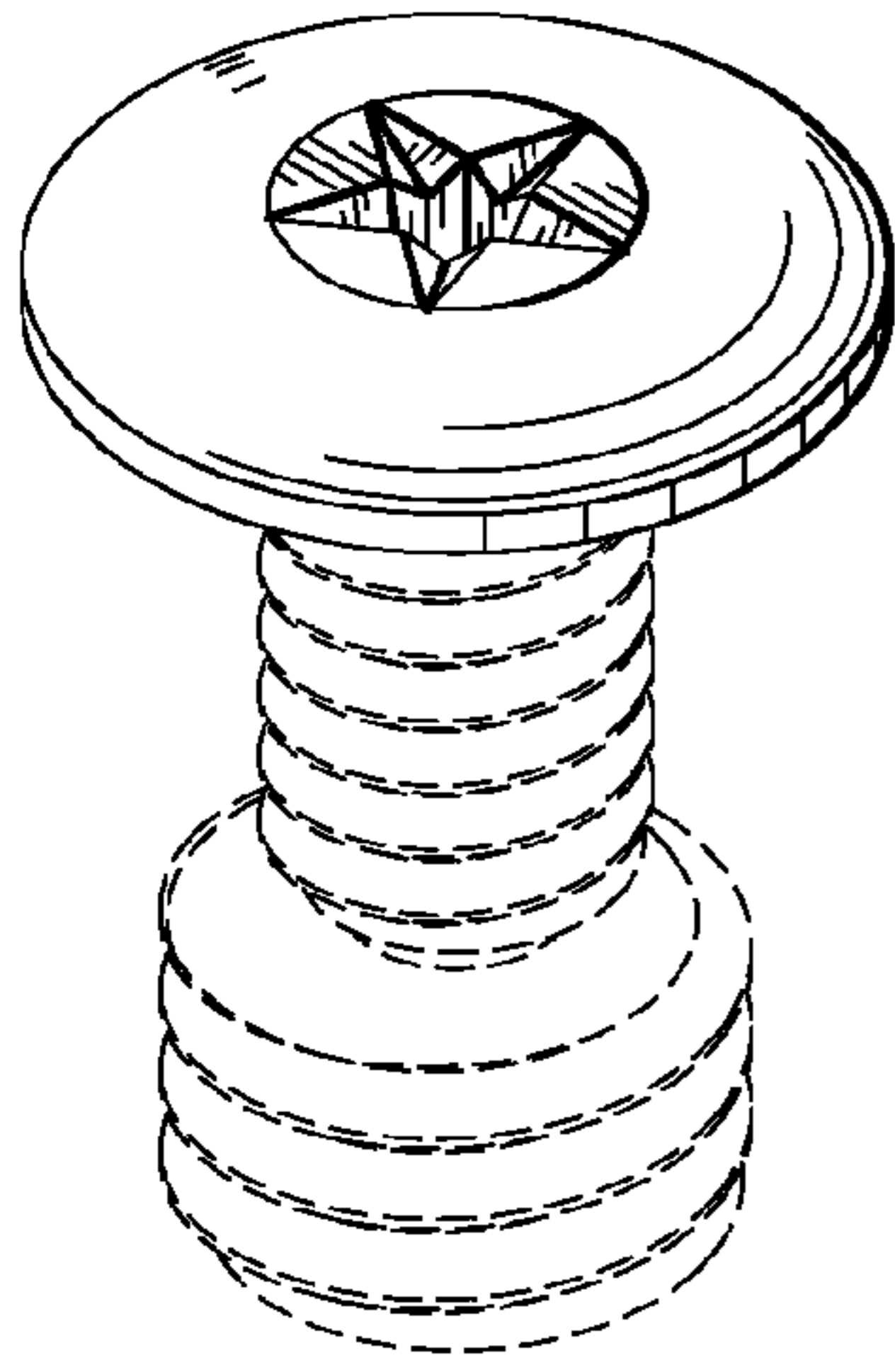


FIG. 1

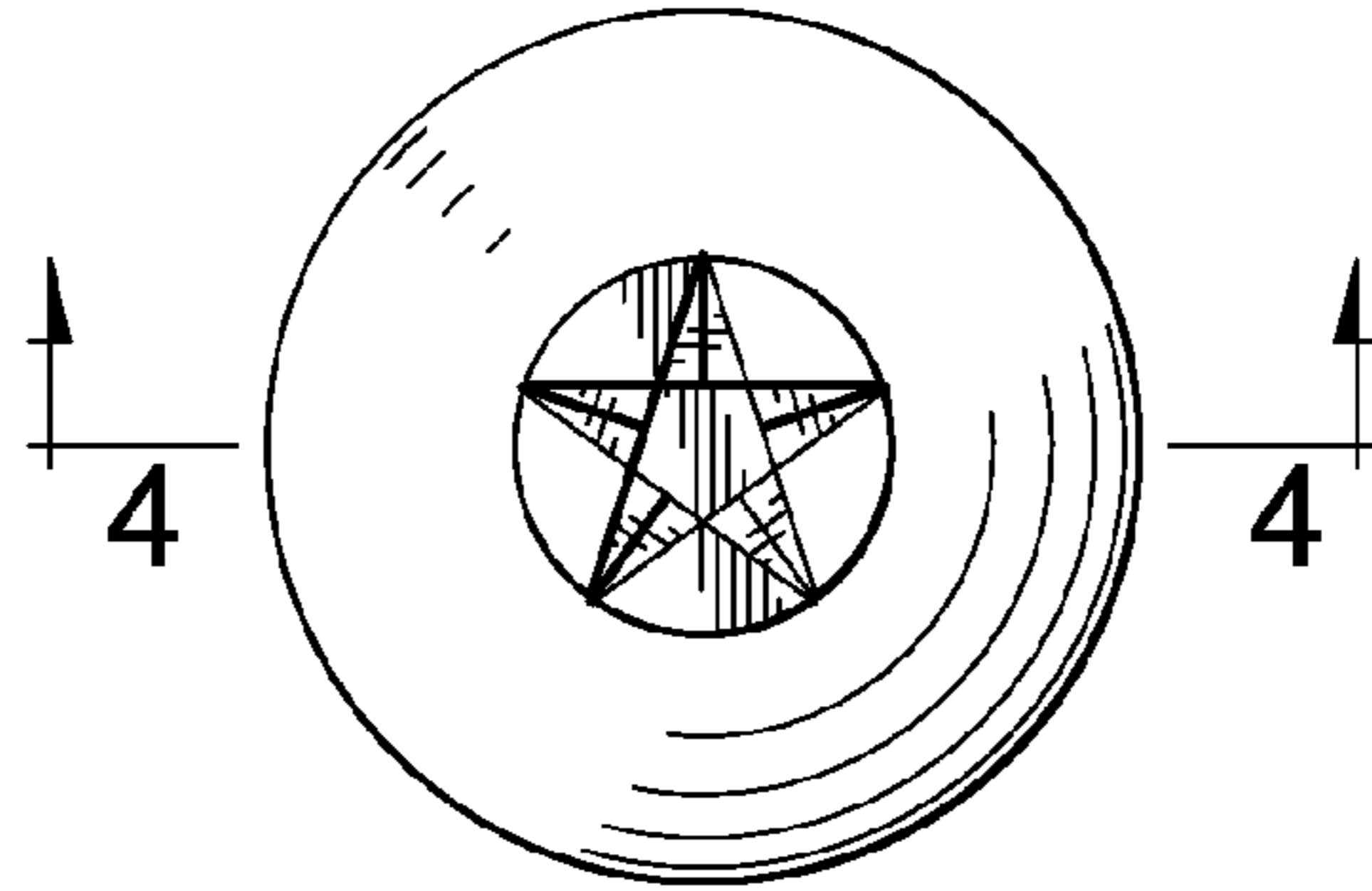


FIG. 5

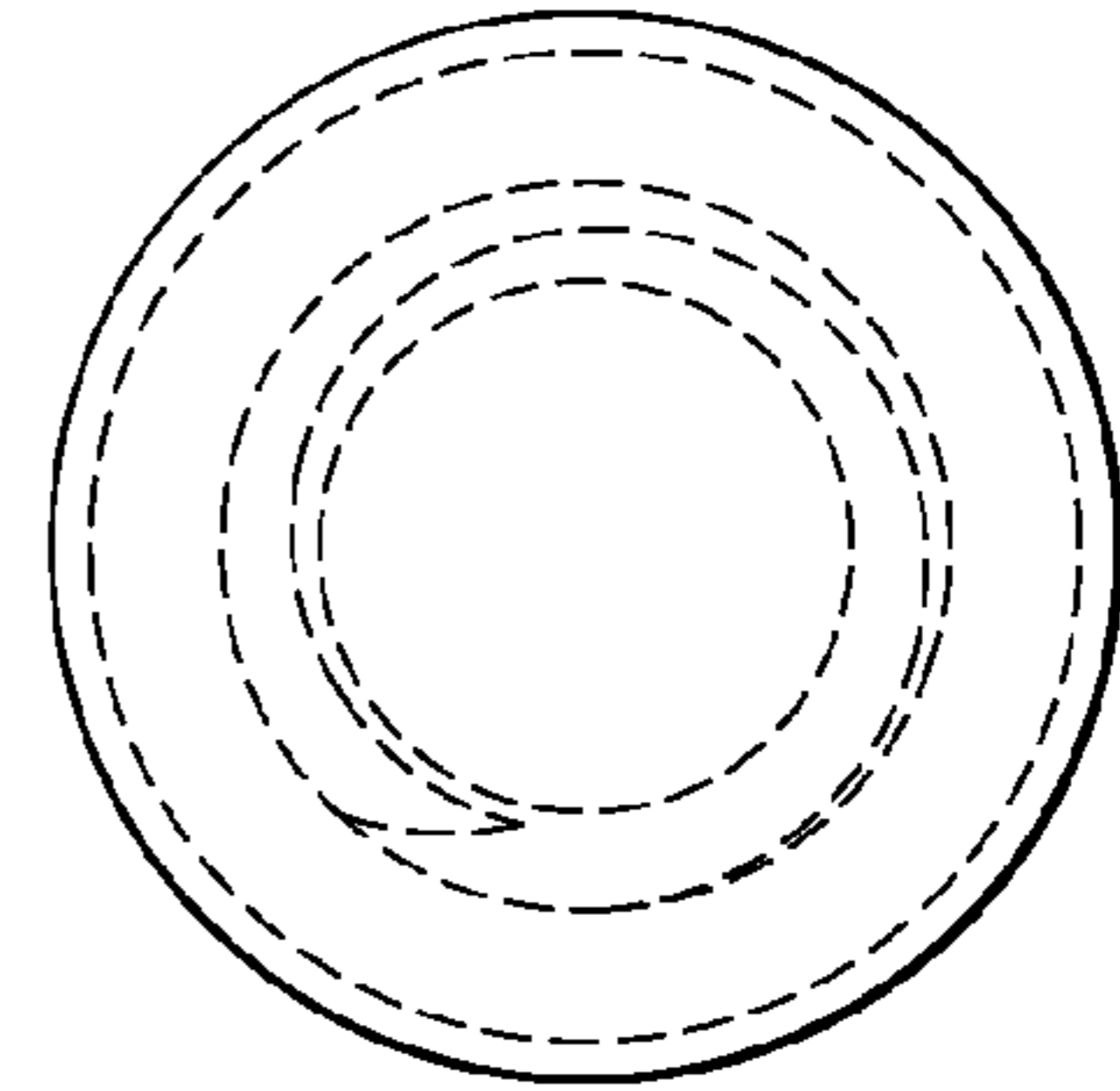


FIG. 6

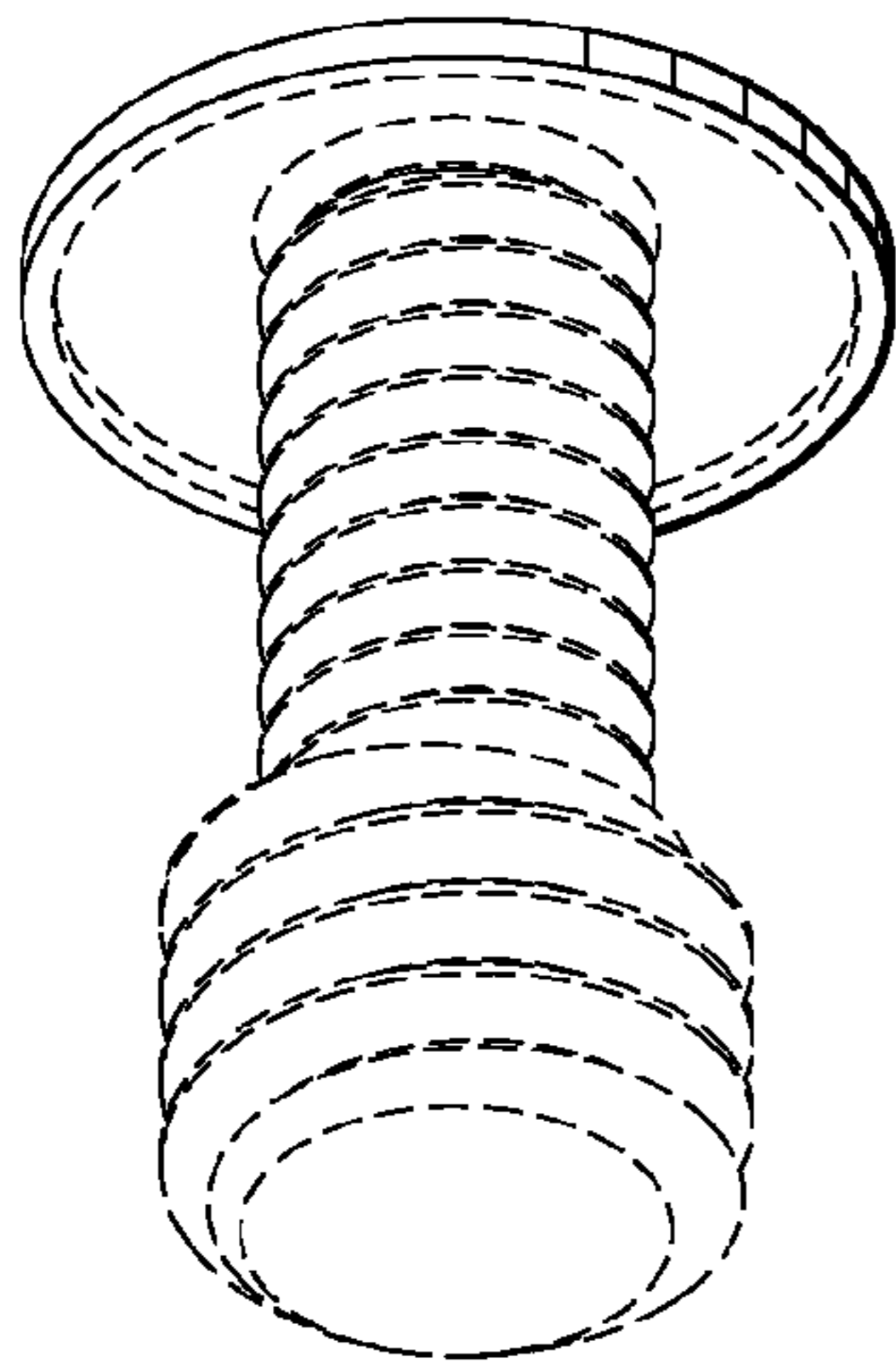


FIG. 2

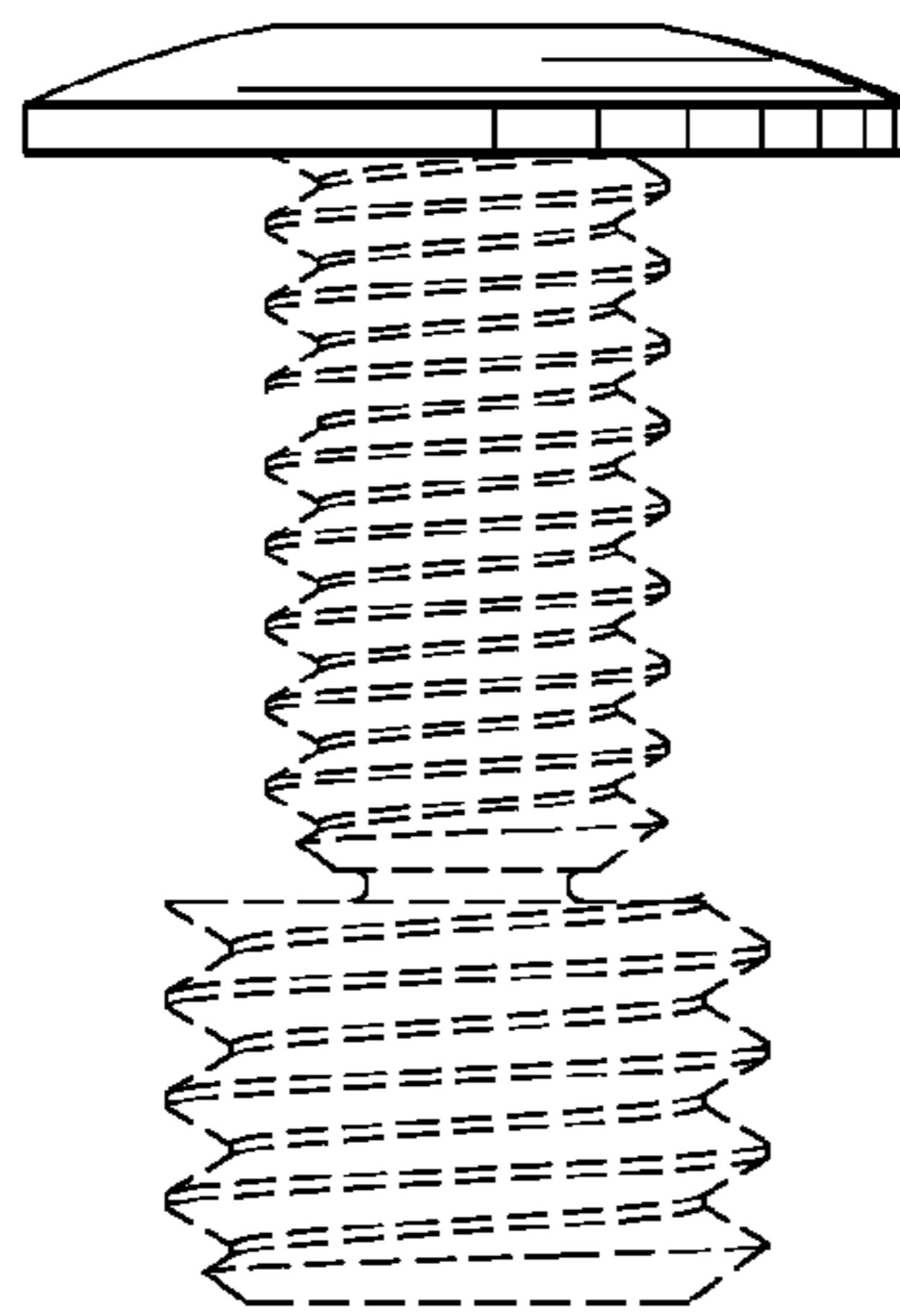


FIG. 3

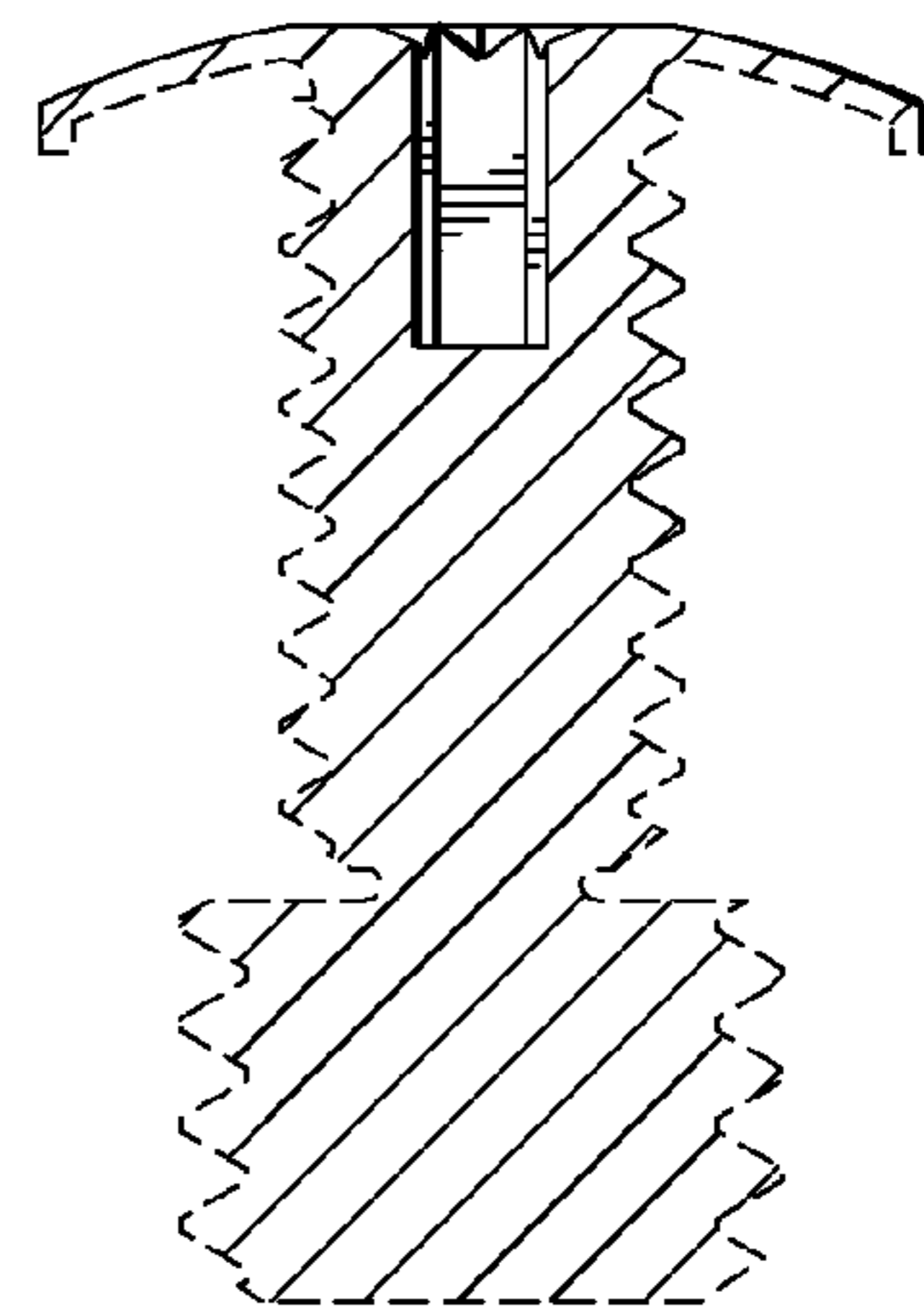


FIG. 4