

US00D639641S

(12) **United States Design Patent**  
**Massie et al.**

(10) **Patent No.:** **US D639,641 S**  
(45) **Date of Patent:** **\*\* Jun. 14, 2011**

(54) **CONNECTOR**

(75) Inventors: **Stephen Massie**, Glasgow (GB);  
**Seonaid Nimmo**, Glasgow (GB); **Toby Mottram**, Glasgow (GB)

(73) Assignee: **ITI Scotland Limited**, Glasgow (GB)

(\*\*) Term: **14 Years**

(21) Appl. No.: **29/351,753**

(22) Filed: **Dec. 10, 2009**

(51) **LOC (9) Cl.** ..... **08-08**

(52) **U.S. Cl.** ..... **D8/382**

(58) **Field of Classification Search** ..... D8/382,  
D8/349, 356, 363, 373, 380; D25/133, 136,  
D25/199; 248/250, 235, 200, 300; D12/223  
See application file for complete search history.

(56) **References Cited**

**U.S. PATENT DOCUMENTS**

D254,534 S \* 3/1980 Glynn et al. .... D8/356  
D452,744 S \* 1/2002 Brown ..... D25/199

\* cited by examiner

*Primary Examiner* — Holly H Baynham

*Assistant Examiner* — Sheryl Lane

(74) *Attorney, Agent, or Firm* — Vinson & Elkins L.L.P.

(57) **CLAIM**

The ornamental design for a connector of the inventive design.

**DESCRIPTION**

FIG. 1 is a perspective view of a connector of the inventive design;

FIG. 2 is an end view thereof;

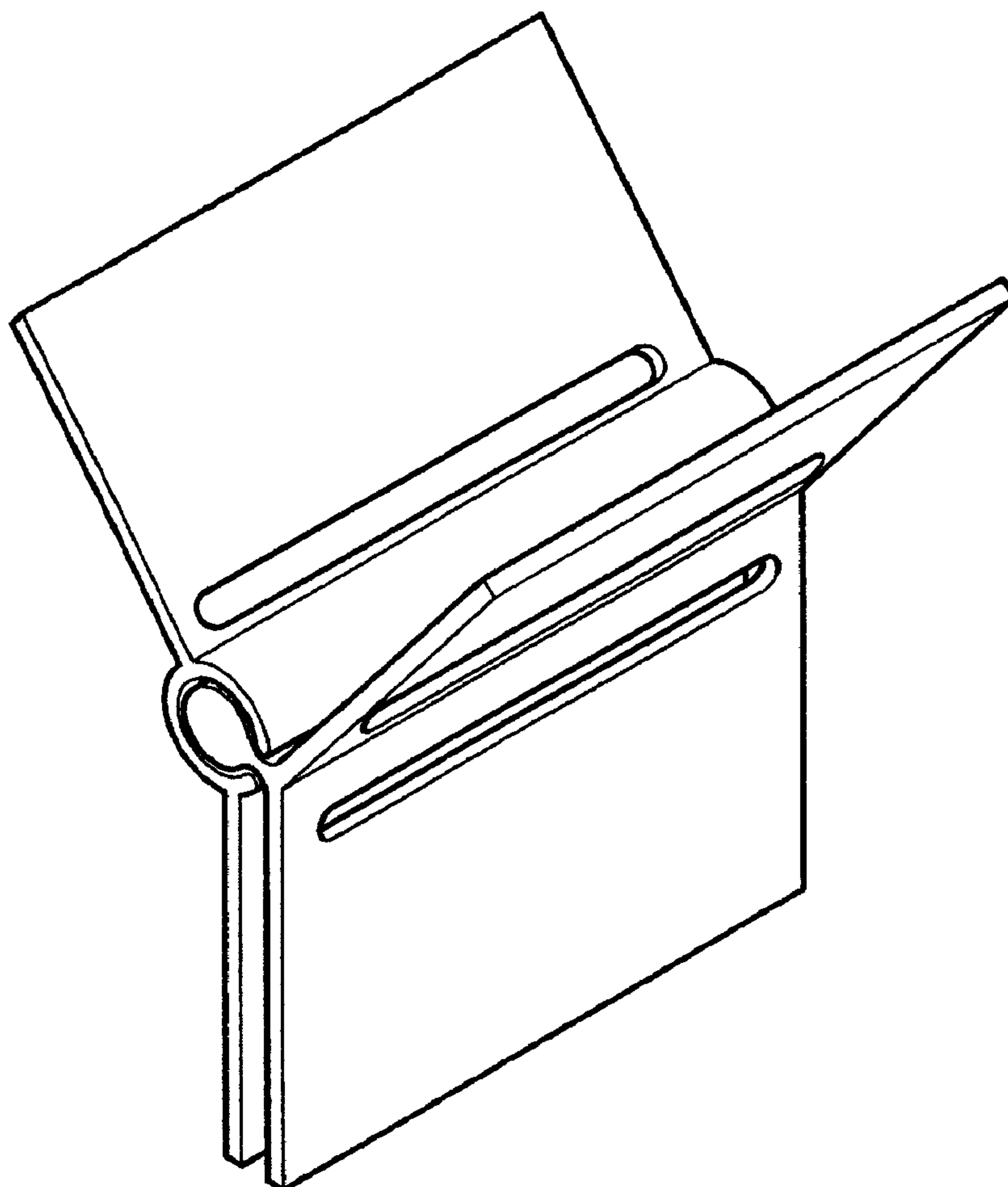
FIG. 3 is a top view thereof;

FIG. 4 is a bottom view thereof;

FIG. 5 is a left side view thereof; and,

FIG. 6 is a right side view thereof.

**1 Claim, 6 Drawing Sheets**



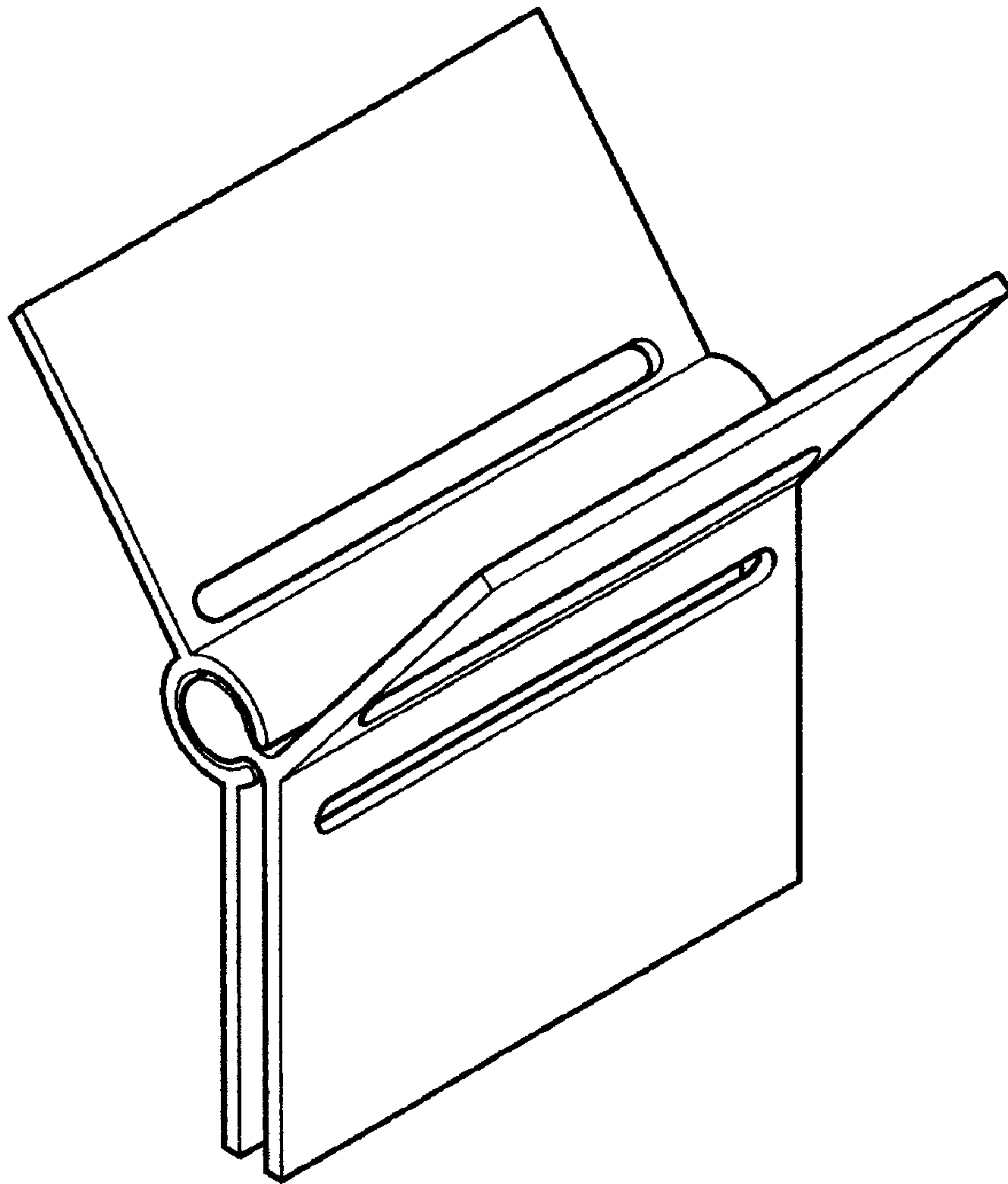


FIG. 1

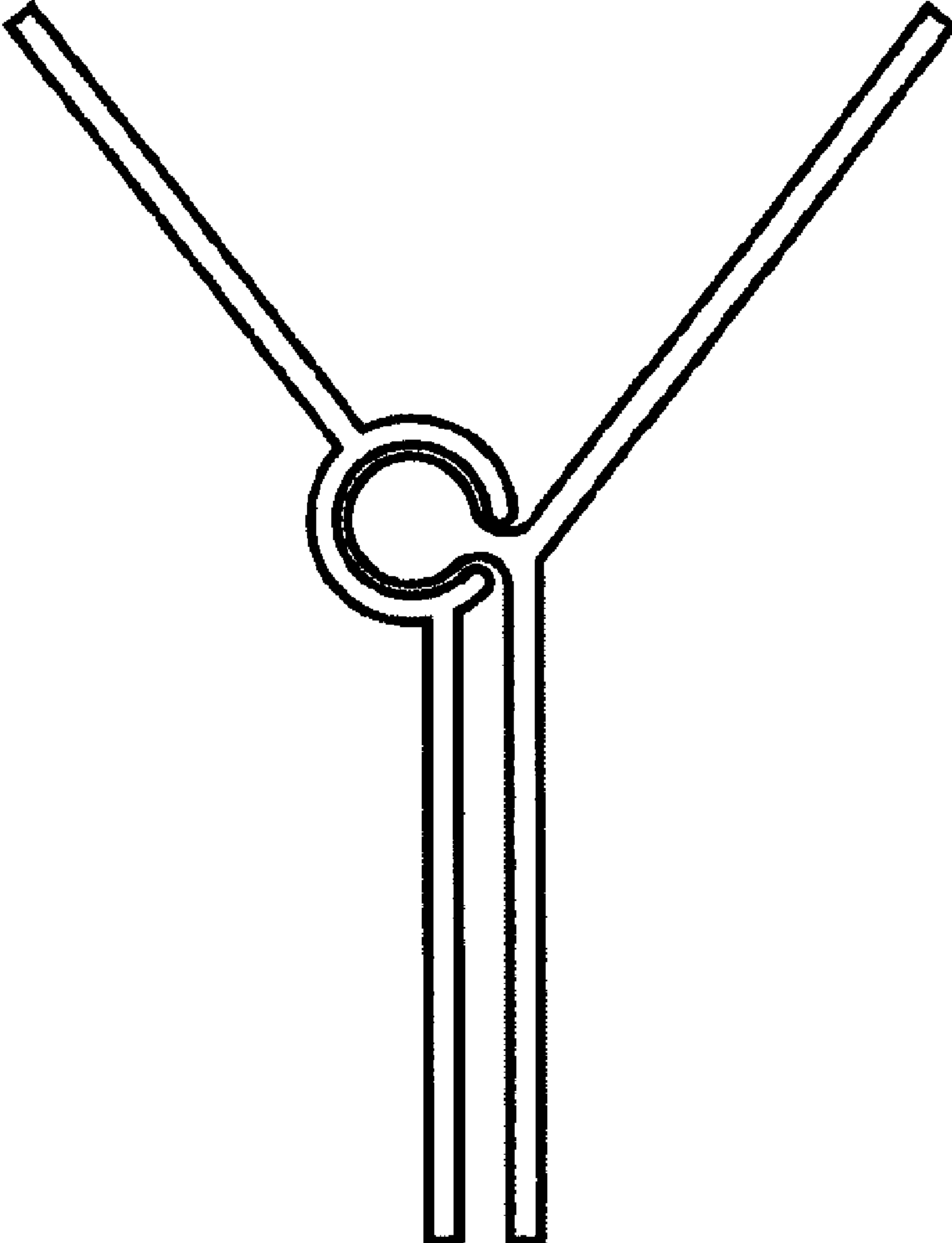


FIG. 2

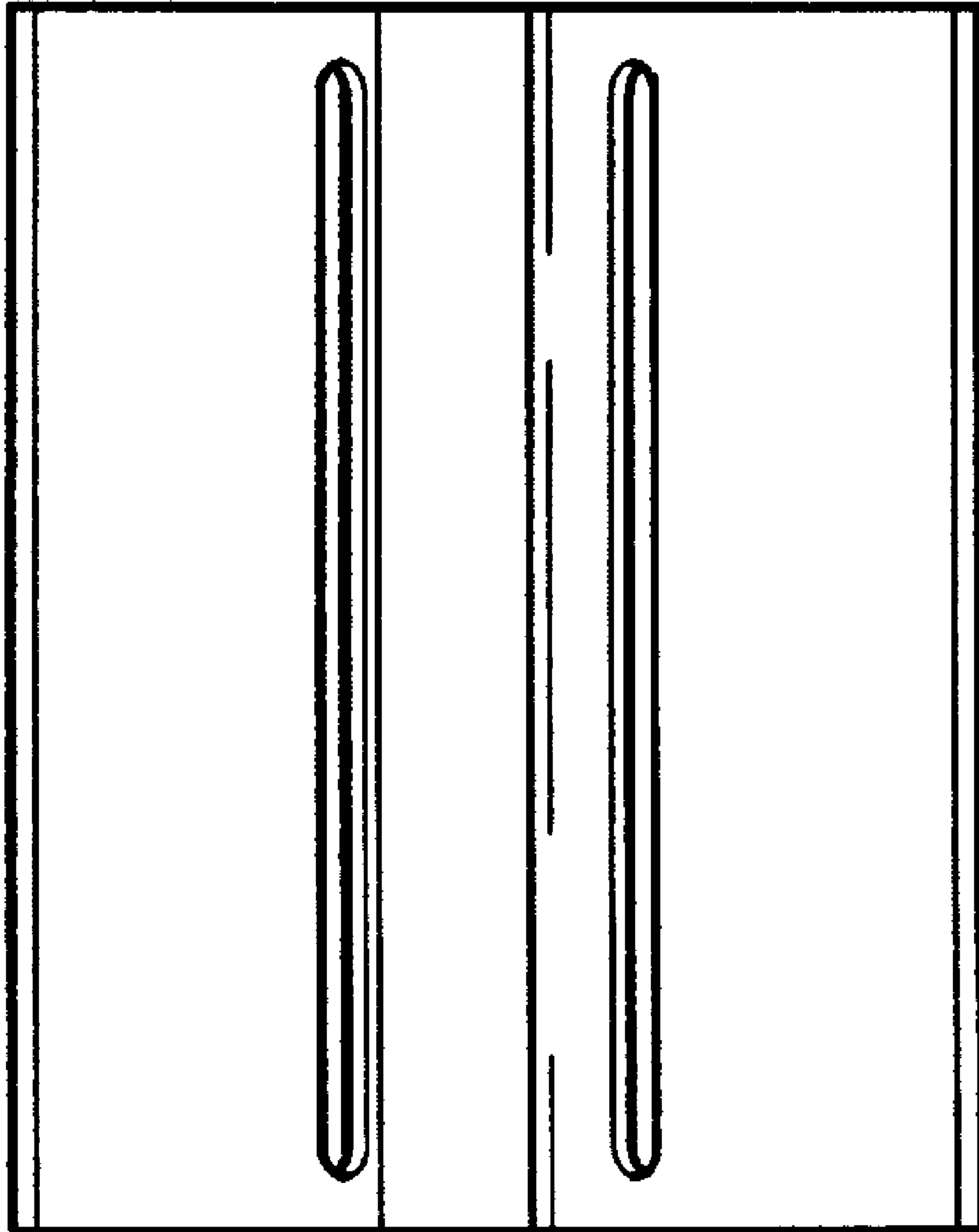


FIG. 3

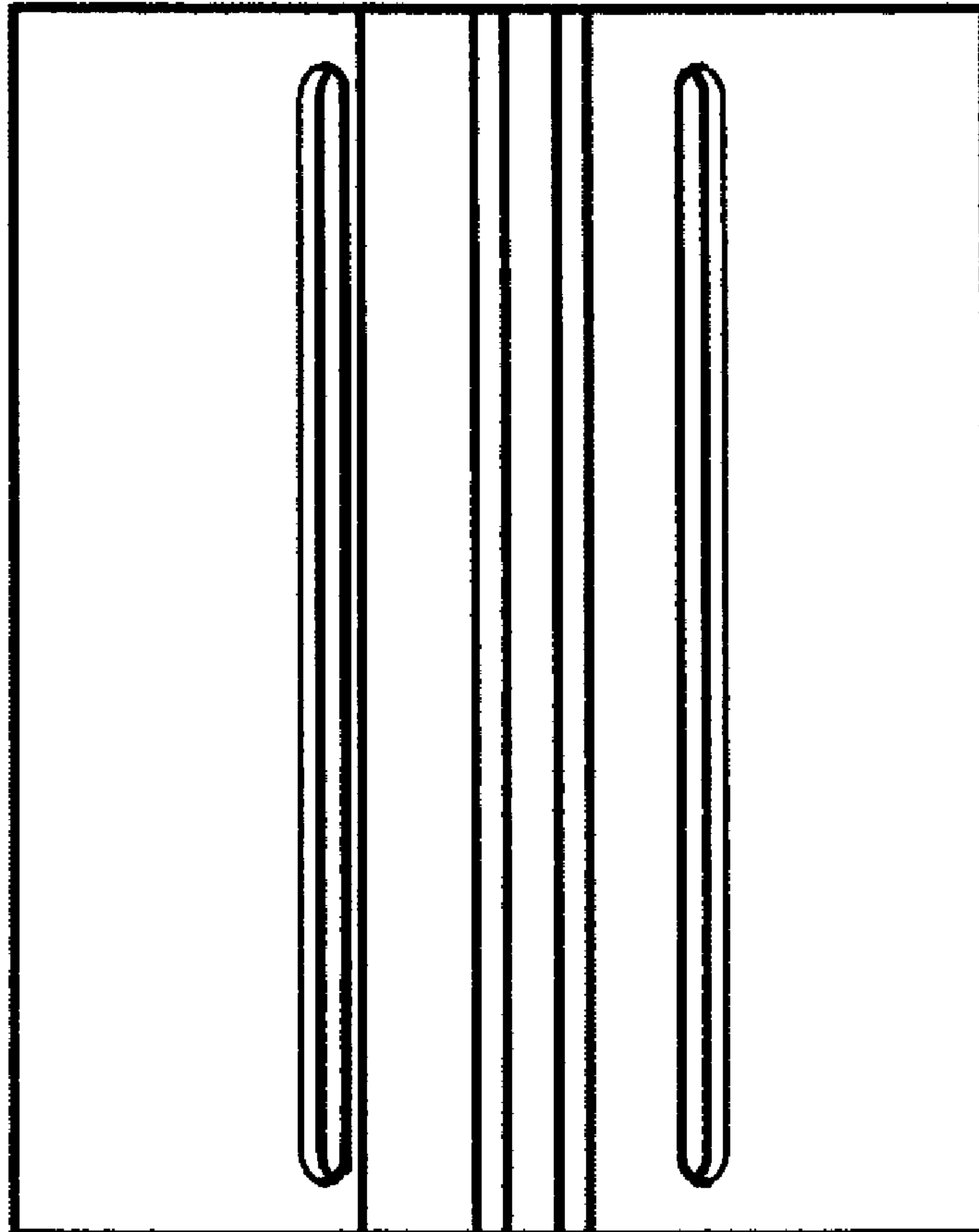


FIG. 4

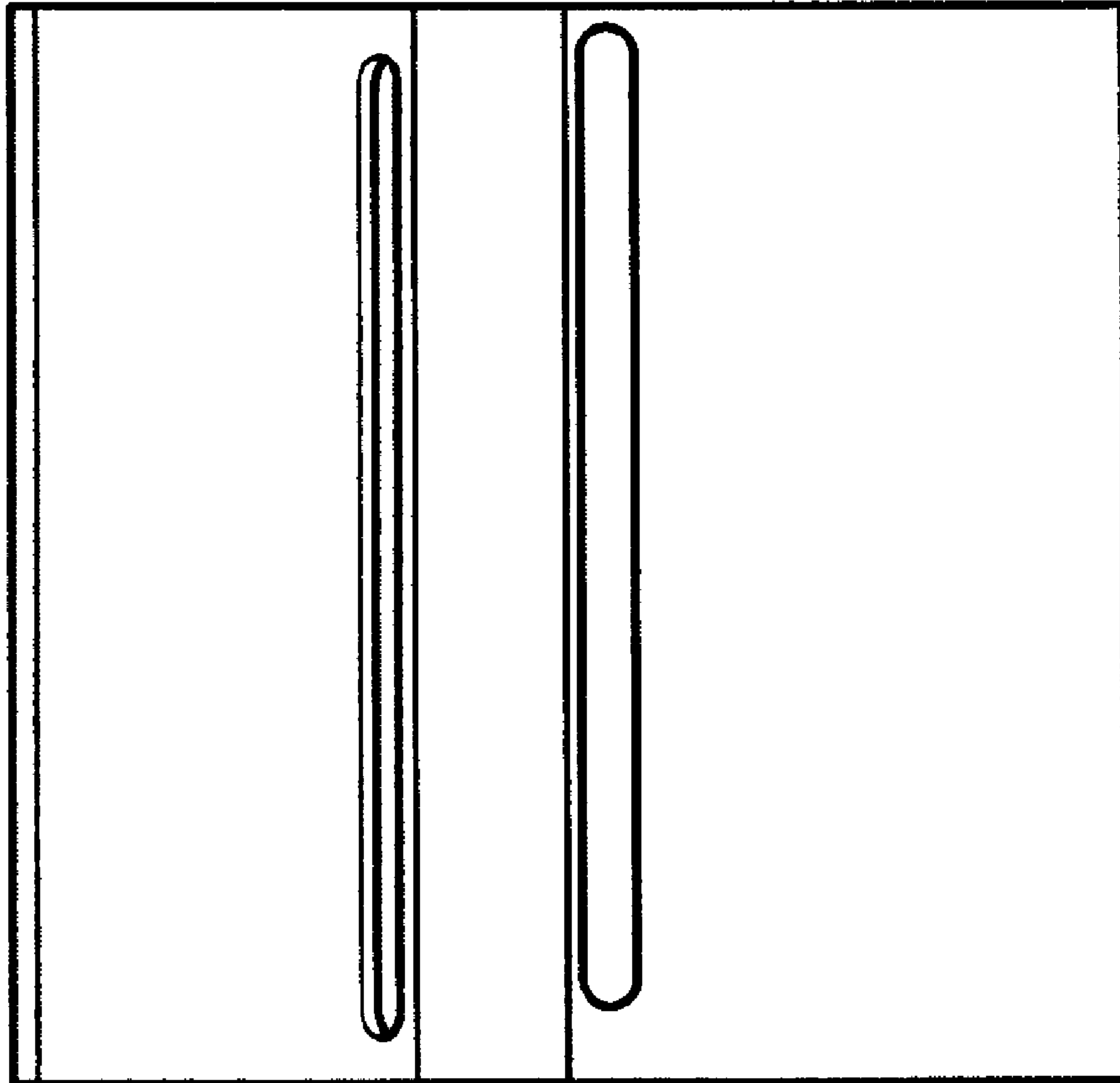


FIG. 5

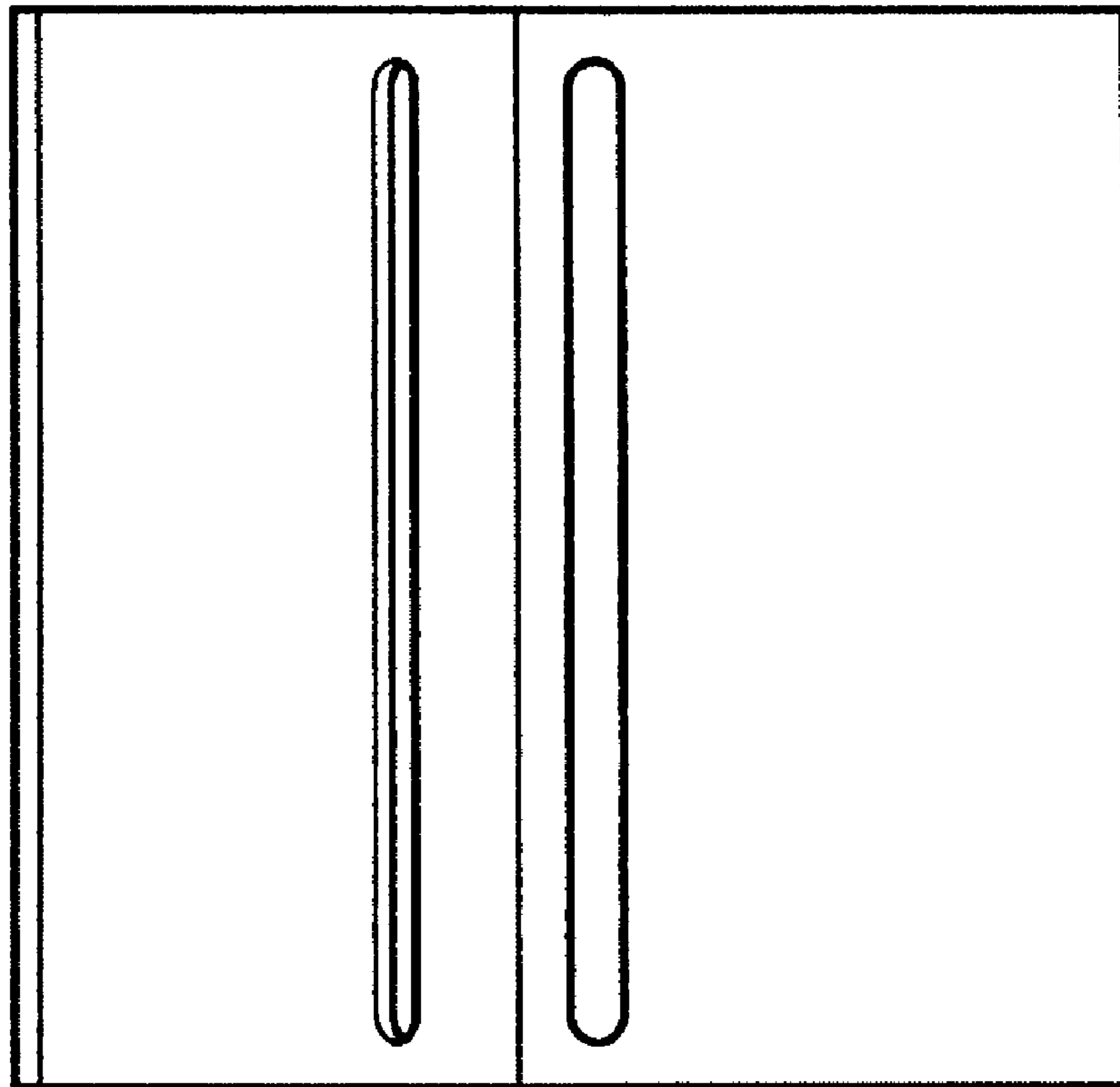


FIG. 6