



US00D639636S

(12) **United States Design Patent**
Krakoff

(10) **Patent No.:** **US D639,636 S**

(45) **Date of Patent:** **** Jun. 14, 2011**

(54) **TURN LOCK**

(75) **Inventor:** **Reed Krakoff**, New York, NY (US)

(73) **Assignee:** **Coach Services, Inc.**, New York, NY (US)

(**) **Term:** **14 Years**

(21) **Appl. No.:** **29/381,817**

(22) **Filed:** **Dec. 23, 2010**

(51) **LOC (9) Cl.** **08-07**

(52) **U.S. Cl.** **D8/338**

(58) **Field of Classification Search** D8/330,
D8/332, 334, 339, 343, 346, 300-302; 70/14,
70/57.1, 58, 107, 141, 210, 218, 277, 278.1,
70/279.1, 285; 340/5.1, 5.2, 5.21, 5.54, 5.65,
340/5.73, 5.81, 5.85

See application file for complete search history.

(56) **References Cited**

U.S. PATENT DOCUMENTS

3,187,528 A * 6/1965 Check 70/299
D354,428 S * 1/1995 Magnusson D8/331
5,475,996 A * 12/1995 Chen 70/279.1

D365,976 S * 1/1996 Chiu D8/330
5,658,026 A * 8/1997 Nigro et al. 292/336.3
6,058,746 A * 5/2000 Mirshafiee et al. 70/107
D433,920 S * 11/2000 Chang D8/331
D479,682 S * 9/2003 Frolov et al. D8/331
D502,859 S * 3/2005 Peng et al. D8/331

* cited by examiner

Primary Examiner — Prabhakar Deshmukh

(74) *Attorney, Agent, or Firm* — Cooper & Dunham LLP

(57) **CLAIM**

I claim the ornamental design for a turn lock, as shown and described.

DESCRIPTION

FIG. 1 is a front perspective view of a turn lock showing my new design;

FIG. 2 is a top plan view thereof;

FIG. 3 is a front elevational view thereof;

FIG. 4 is a right side elevational view thereof, the left side elevational view being a mirror image thereof; and,

FIG. 5 is a rear elevational view thereof.

The broken lines showing of connectors are for illustrative purpose only and form no part of the claimed design.

1 Claim, 2 Drawing Sheets

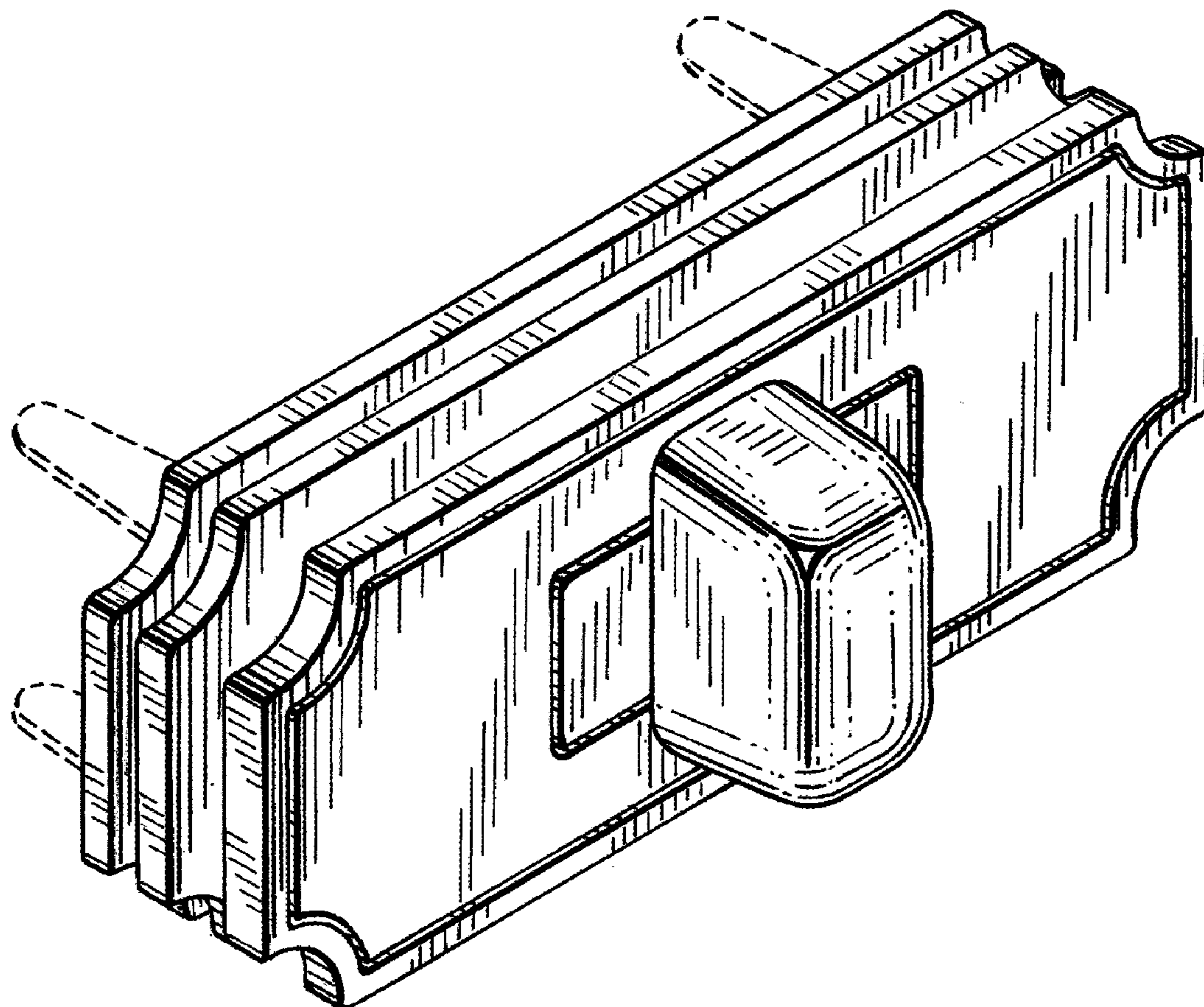


FIG. 1

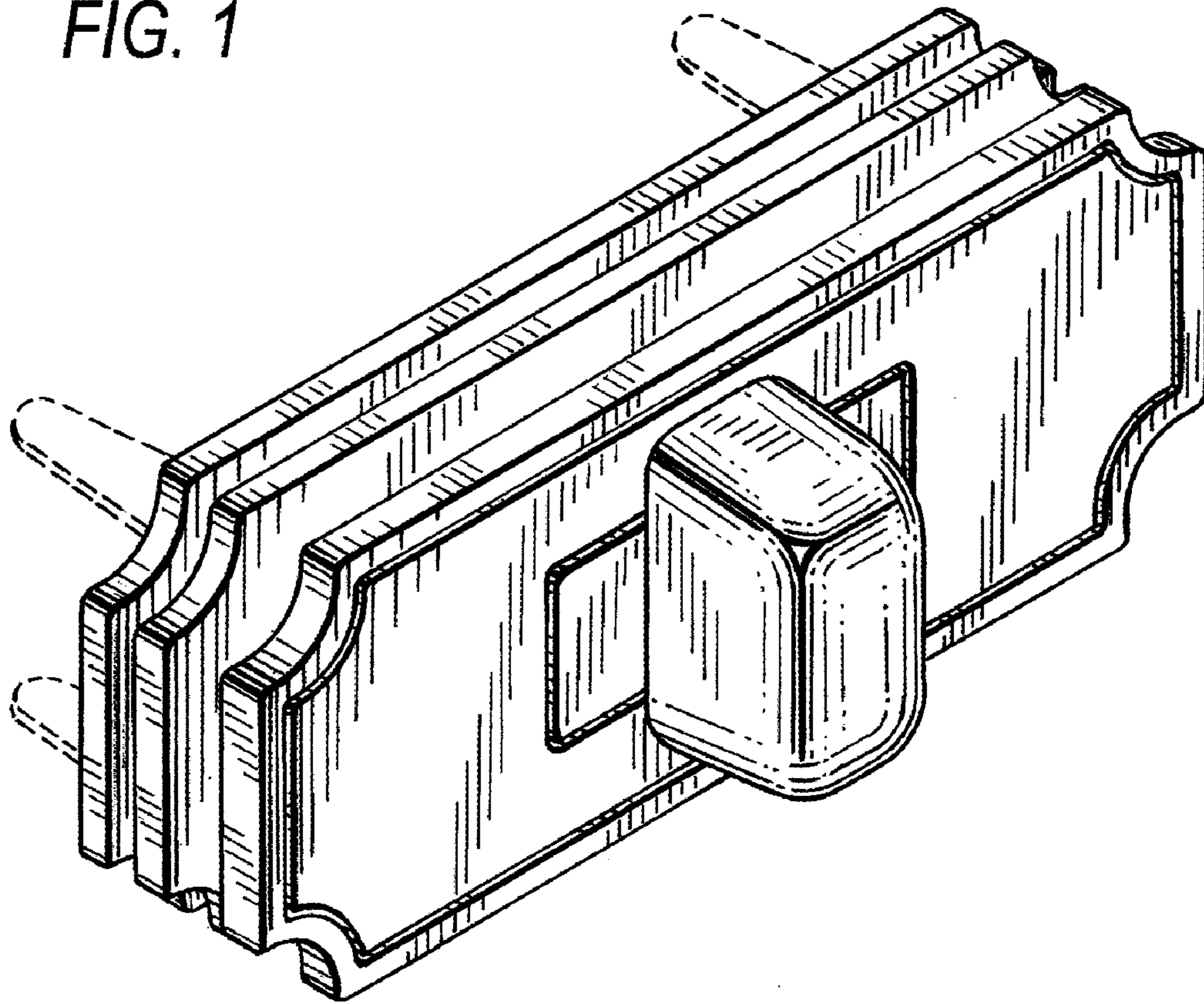


FIG. 2

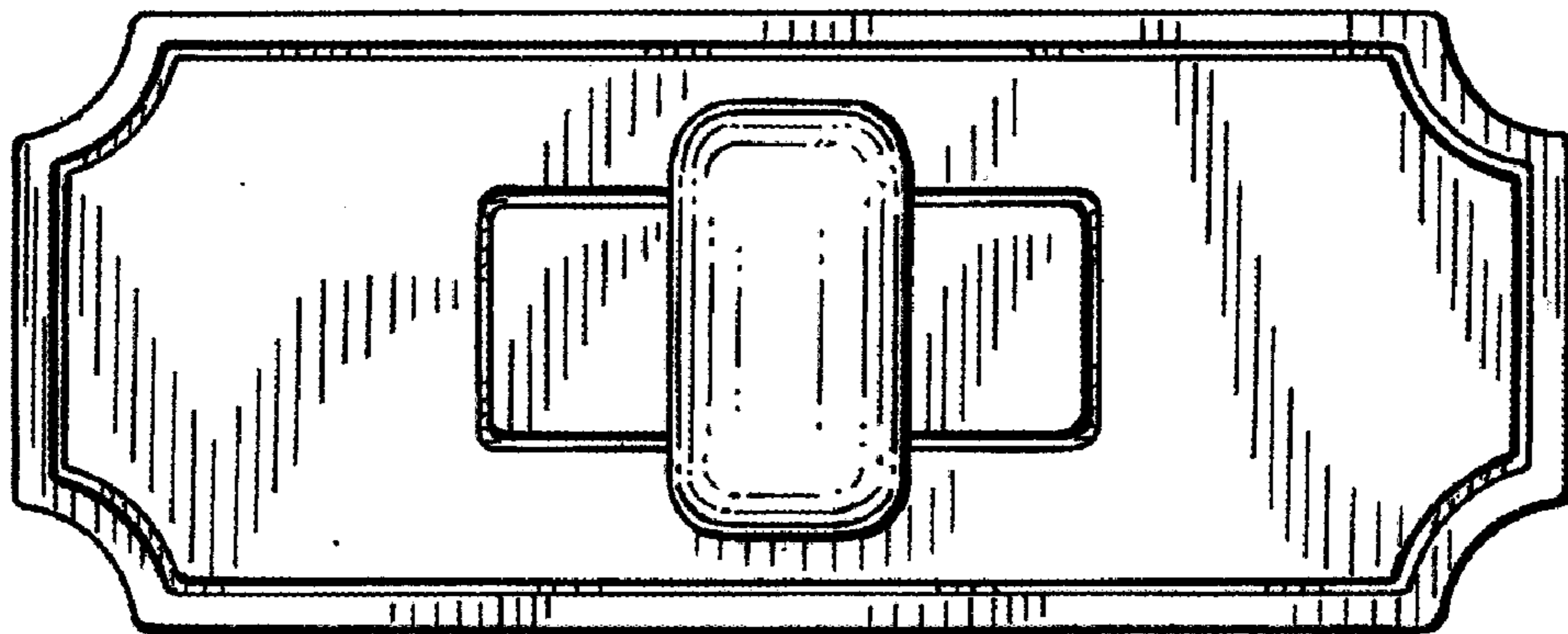


FIG. 3

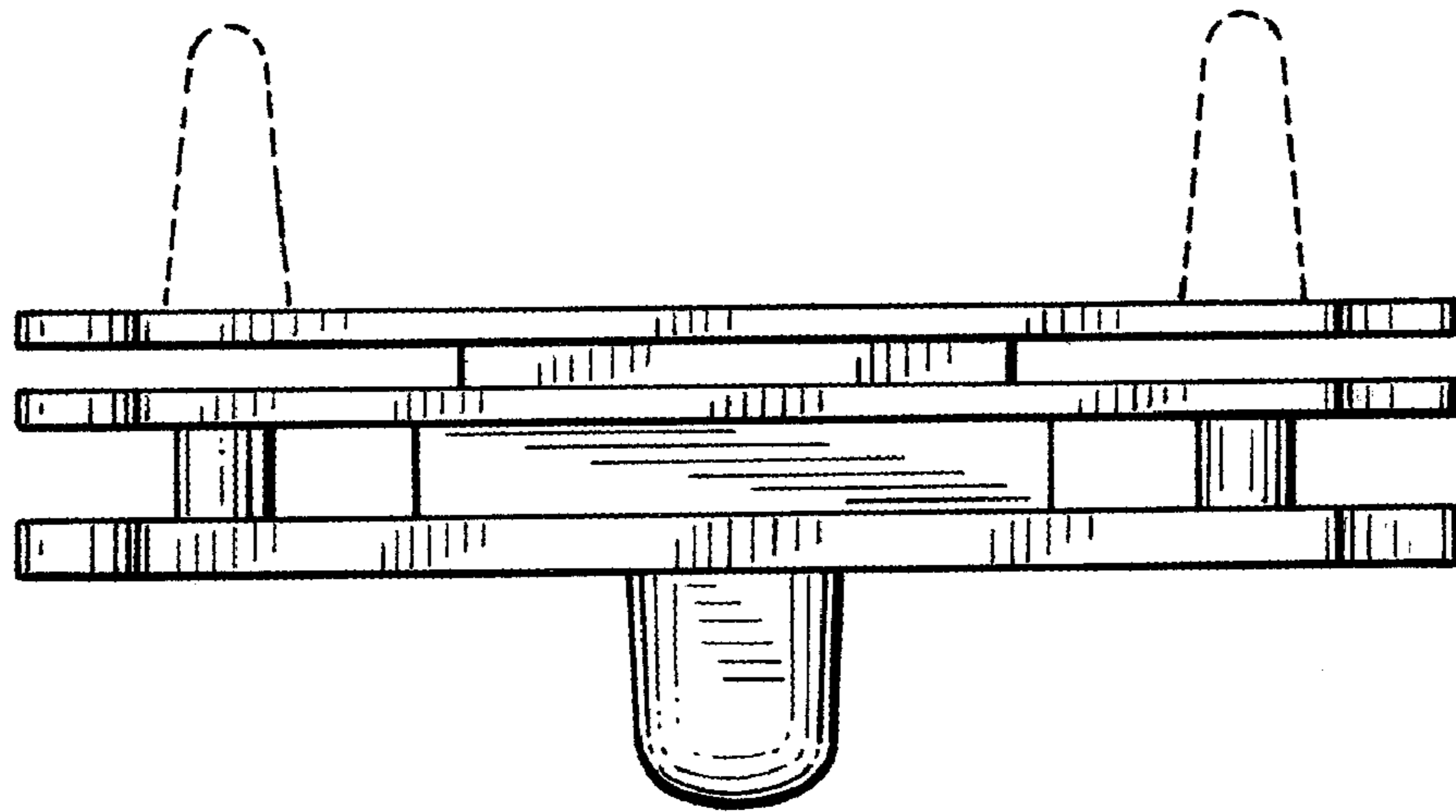


FIG. 4

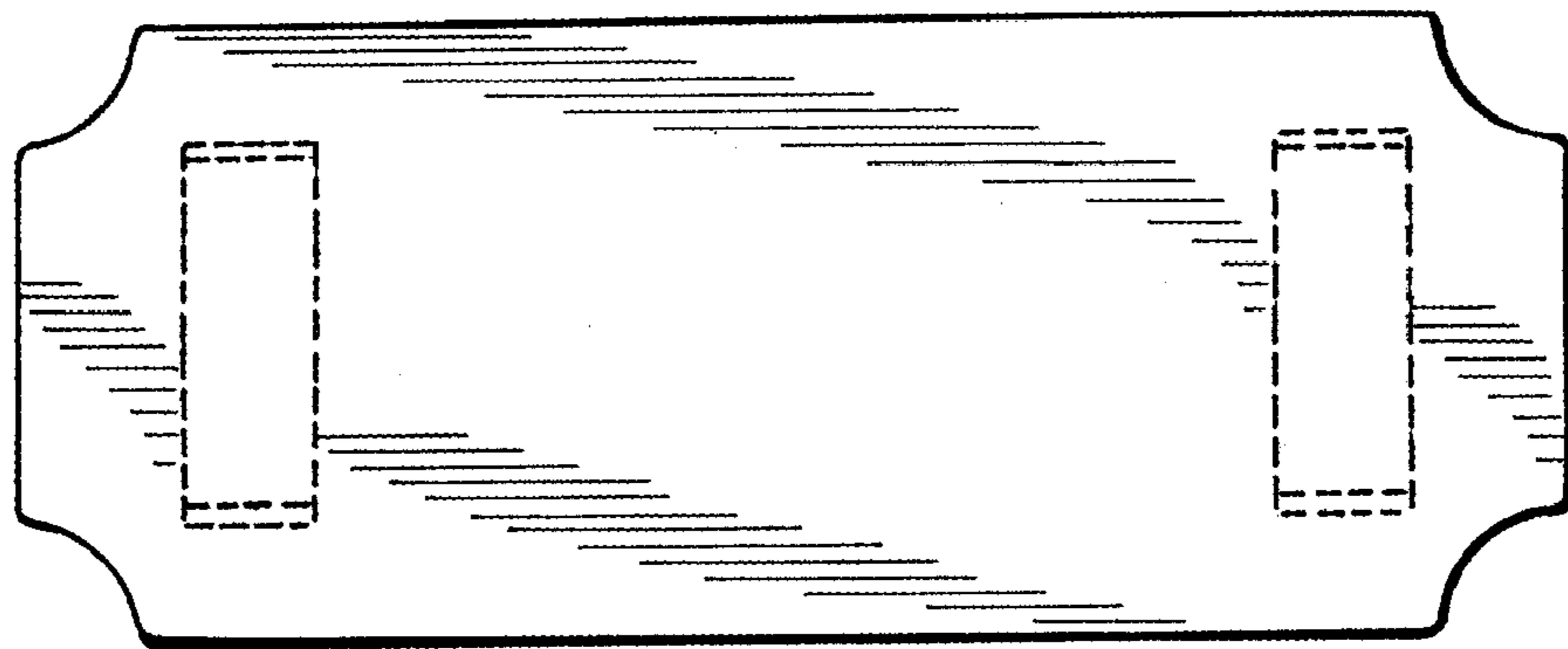
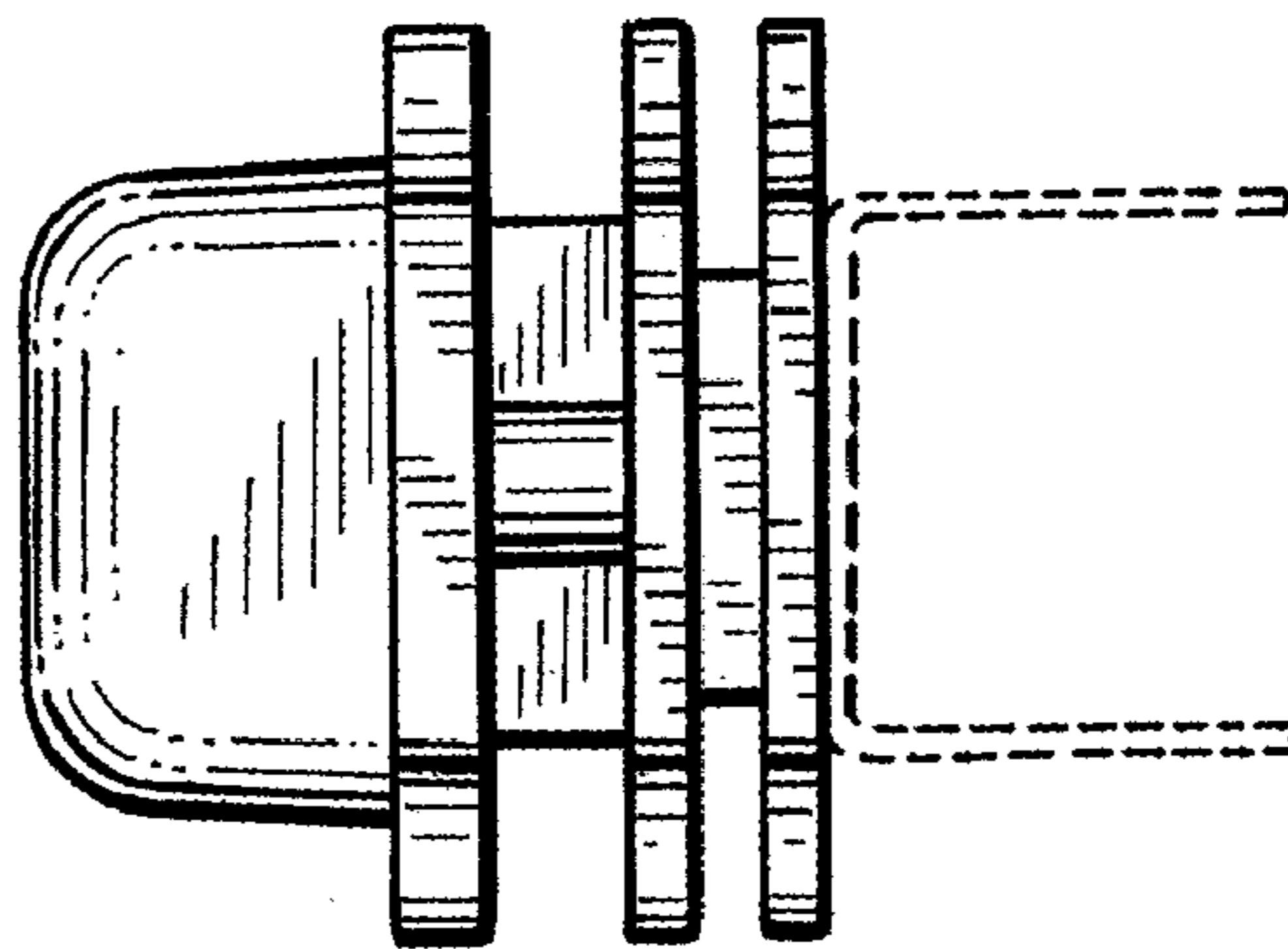


FIG. 5