



US00D639634S

(12) **United States Design Patent**
Arai

(10) **Patent No.:** **US D639,634 S**
(45) **Date of Patent:** **** Jun. 14, 2011**

(54) **HINGE FOR FOLDING APPLIANCE**

(75) Inventor: **Masato Arai**, Tokyo (JP)

(73) Assignee: **Sugatsune Kogyo Co., Ltd.**, Tokyo (JP)

(**) Term: **14 Years**

(21) Appl. No.: **29/347,949**

(22) Filed: **Aug. 18, 2010**

(30) **Foreign Application Priority Data**

Feb. 23, 2010 (JP) 2010-004166

(51) **LOC (9) Cl.** **08-06**

(52) **U.S. Cl.** **D8/323**

(58) **Field of Classification Search** D8/356,
D8/105, 107, 333, 349, 357, 373, 383, 325,
D8/397, 399, 394, 382, 8, 323; 24/598.1,
24/599.1, 598.2, 599.9, 573.11, 579.09, 592.11,
24/600.1; 294/19.1, 64.1, 82.1, 137, 600.1;
D11/215, 200; 182/5; D16/334; D14/250,
D14/217; D15/138; D23/262, 259; 411/432,
411/108, 353, 404, 410, 919, 147, 957; 137/383;
D21/488; D13/133

See application file for complete search history.

(56) **References Cited**

U.S. PATENT DOCUMENTS

D2,283 S * 3/1866 Richardson D8/323
D30,020 S * 1/1899 Tyler D8/323

3,899,905 A * 8/1975 Walters 70/91
D311,677 S * 10/1990 Headrick D8/323
5,284,369 A * 2/1994 Kitamura 285/322
6,481,055 B2 * 11/2002 Cheng 16/252
D498,136 S * 11/2004 Parker D8/380
D512,897 S * 12/2005 Franchini D8/323
D563,199 S * 3/2008 Liao D8/323
D601,567 S * 10/2009 Lau D14/432
D605,925 S * 12/2009 Sato D8/323
7,681,282 B2 * 3/2010 Liu 16/273
D621,683 S * 8/2010 Mullenix D8/323

* cited by examiner

Primary Examiner — Cynthia Underwood

(74) *Attorney, Agent, or Firm* — Bacon & Thomas PLLC

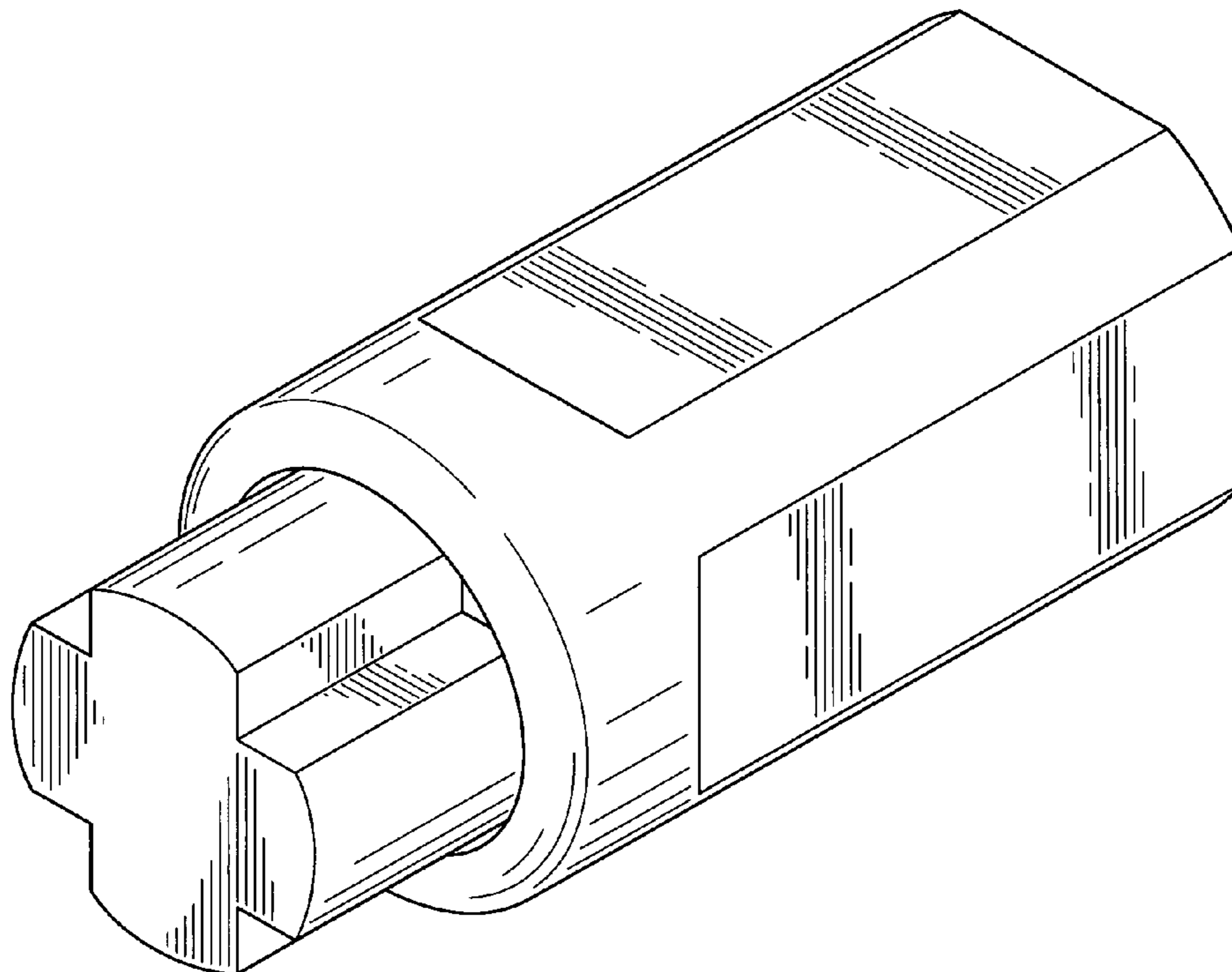
(57) **CLAIM**

The ornamental design for a hinge for folding appliance, as shown and described.

DESCRIPTION

FIG. 1 is a perspective view of a hinge for folding appliance embodying my new design;
FIG. 2 is a front view thereof;
FIG. 3 is a top plan view thereof;
FIG. 4 is a left side view thereof;
FIG. 5 is a right side view thereof; and,
FIG. 6 is a right perspective view thereof, shown in an environment of use with the broken lines forming no part of the claim.

1 Claim, 4 Drawing Sheets



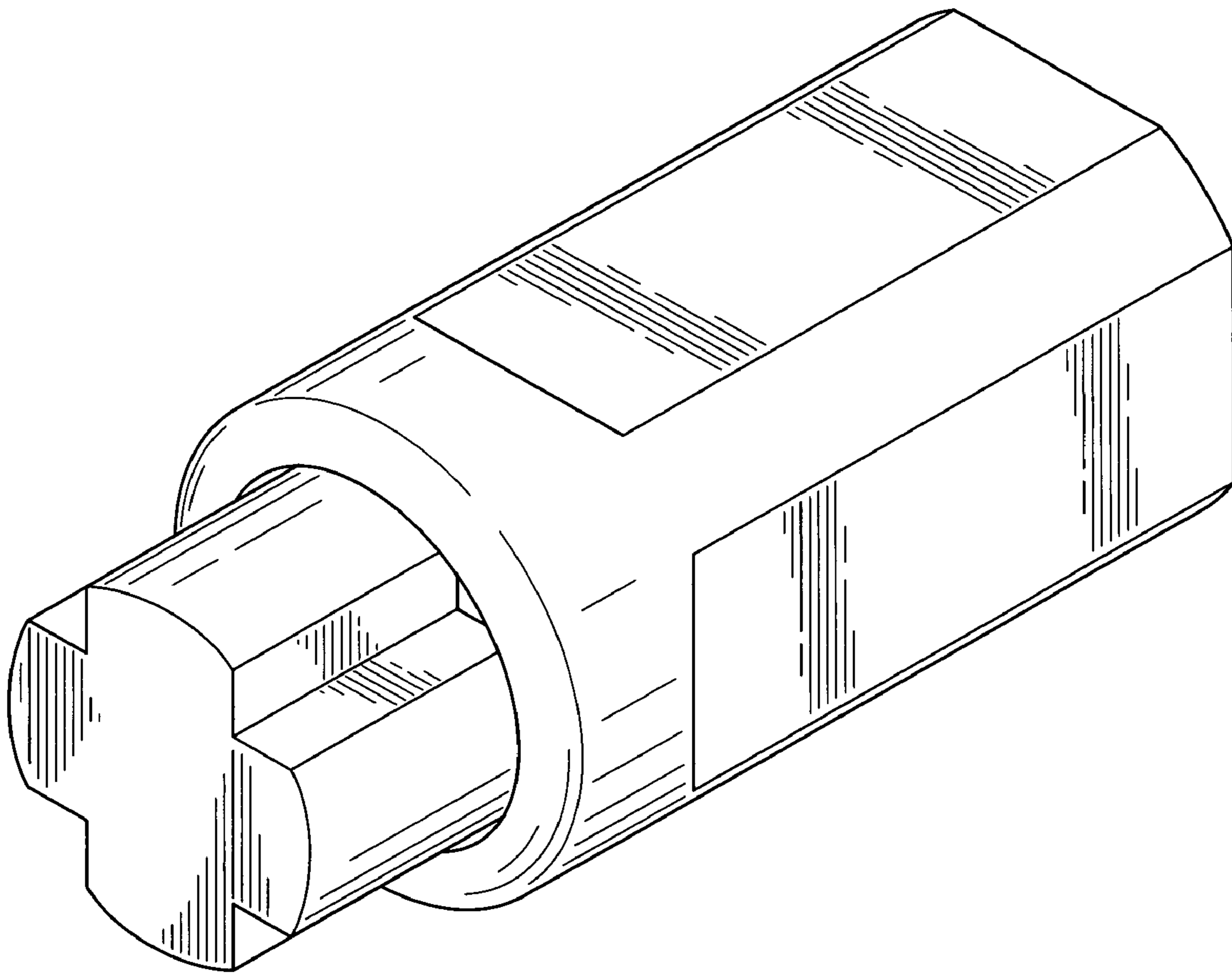


FIG. 1

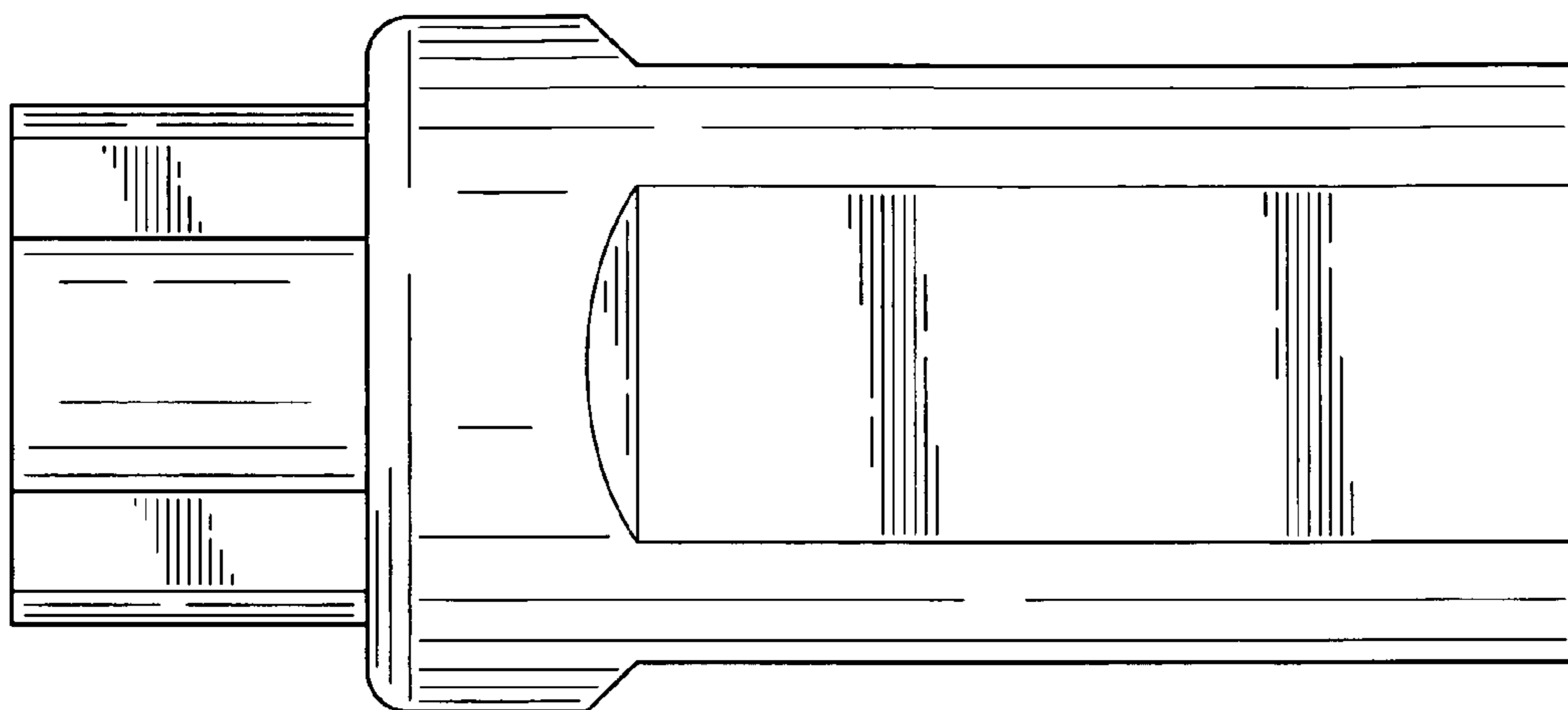


FIG. 2

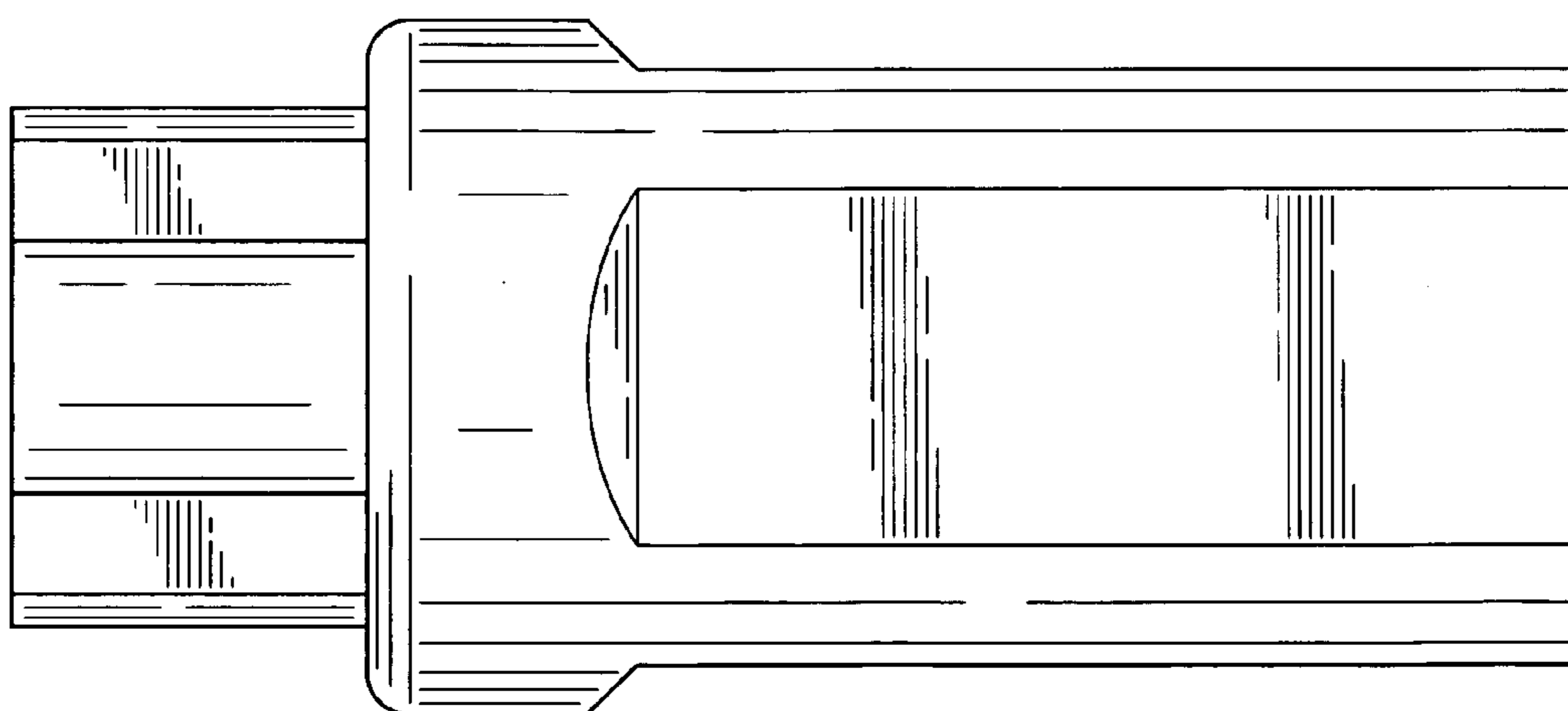


FIG. 3

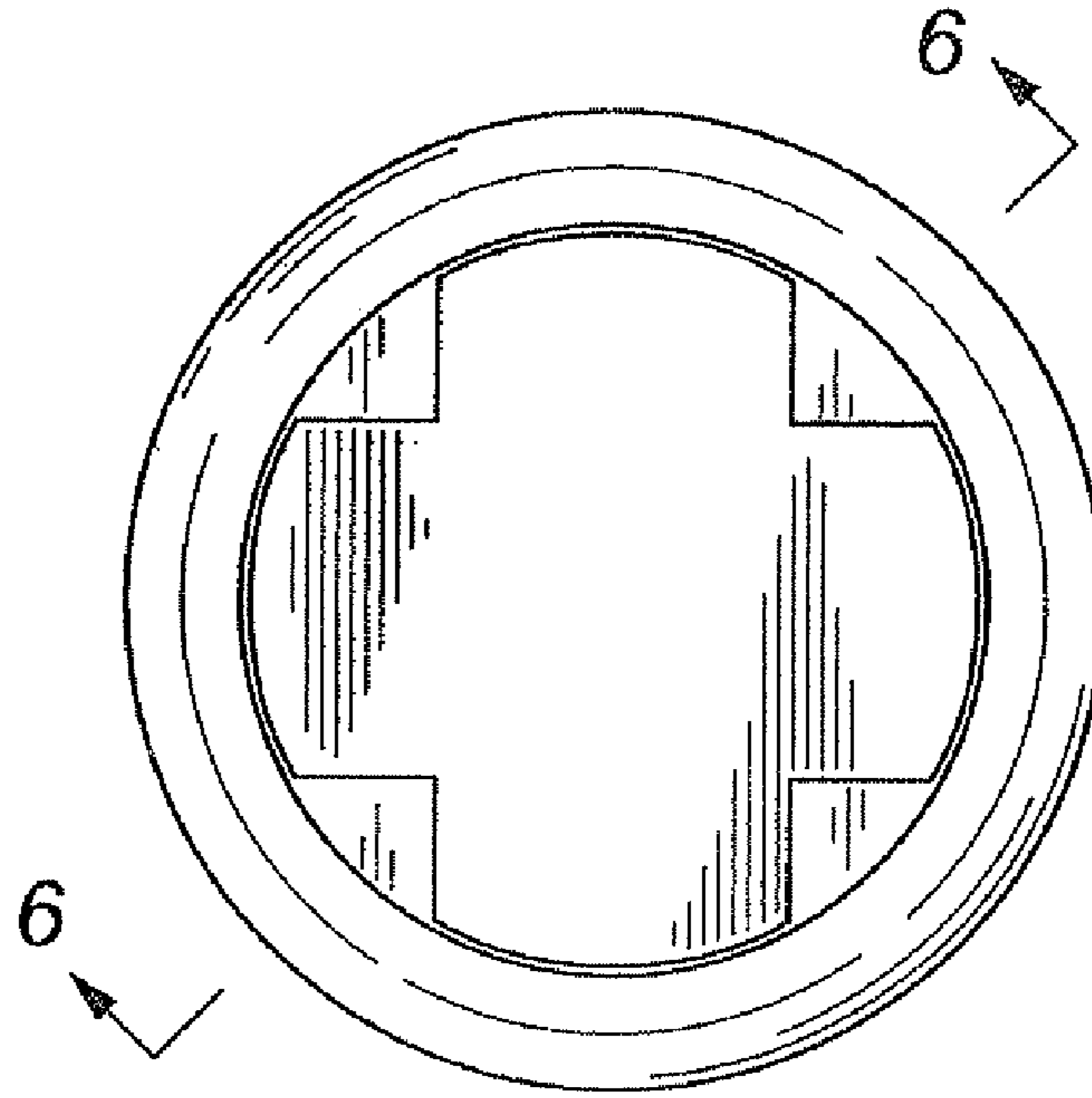


FIG. 4

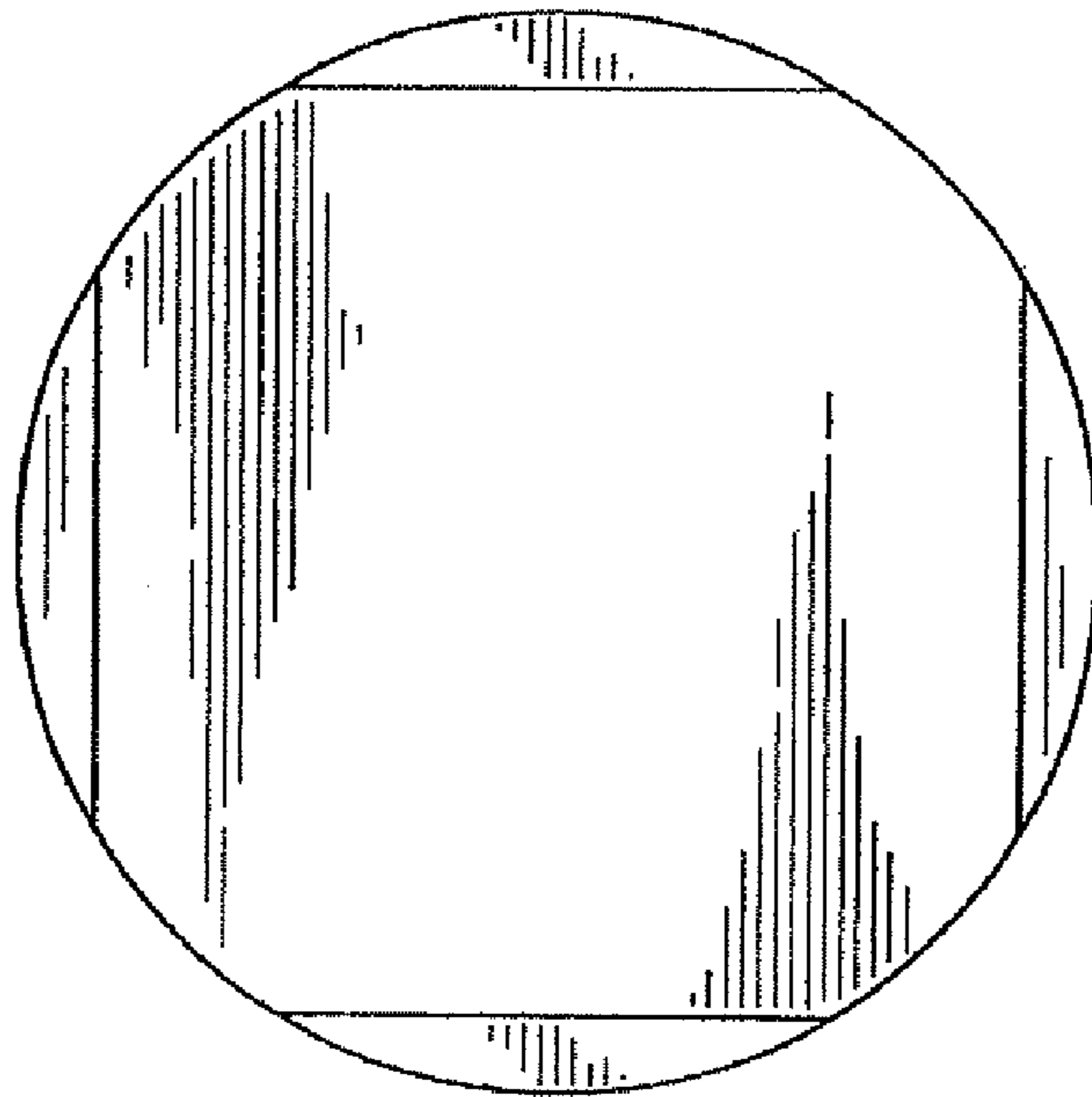


FIG. 5

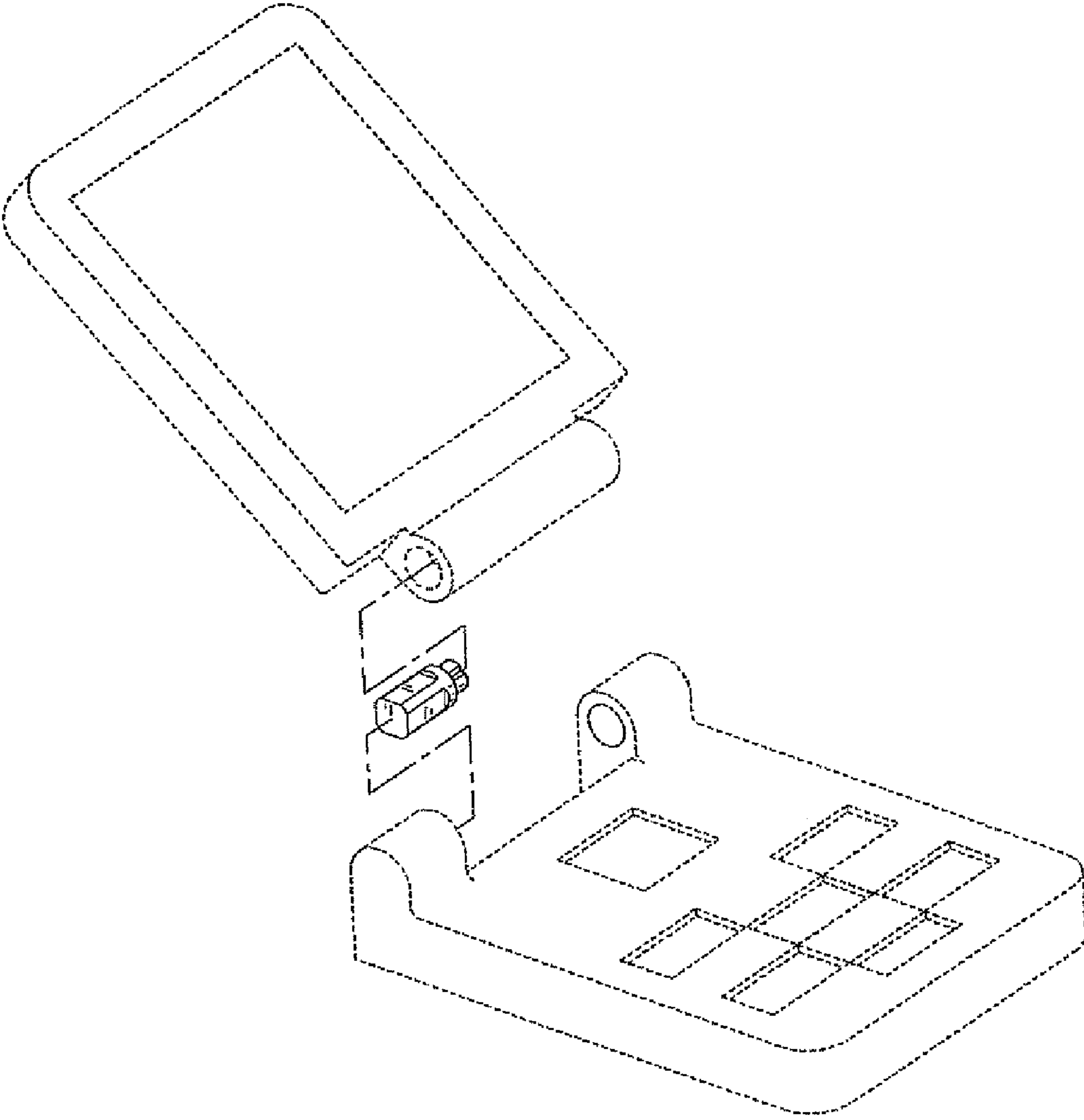


FIG. 6