



US00D639632S

(12) **United States Design Patent**
Freeman et al.

(10) **Patent No.:** **US D639,632 S**
(45) **Date of Patent:** **** Jun. 14, 2011**

- (54) **KNIFE HANDLE**
- (75) Inventors: **Jeffrey Freeman**, Tigard, OR (US);
Darrin Seeds, Vancouver, WA (US)
- (73) Assignee: **Fiskars Brands, Inc.**, Madison, WI (US)
- (**) Term: **14 Years**
- (21) Appl. No.: **29/316,494**
- (22) Filed: **Oct. 2, 2009**
- (51) **LOC (9) Cl.** **08-03**
- (52) **U.S. Cl.** **D8/99**
- (58) **Field of Classification Search** D7/649;
D8/95-99, 107; D22/118; 30/154-162,
30/329-331

- 3,942,249 A 3/1976 Poehlmann
- 3,943,934 A 3/1976 Bent
- 3,977,079 A 8/1976 Rebold
- 4,011,657 A 3/1977 Vance
- 4,028,806 A 6/1977 Sheldon
- 4,068,375 A 1/1978 Rathbun et al.
- 4,133,106 A 1/1979 Addis
- 4,145,808 A 3/1979 Walsh
- D252,182 S 6/1979 Poehlmann
- 4,170,061 A 10/1979 Henry
- 4,173,071 A 11/1979 Ishida
- 4,184,248 A 1/1980 Wolfe

(Continued)

See application file for complete search history.

(56) **References Cited**

U.S. PATENT DOCUMENTS

- 294,558 A 3/1884 Wingfield
- 336,314 A 2/1886 Hatfield
- 361,315 A 4/1887 Nuessle
- 842,173 A 1/1907 Carman
- 1,018,210 A 2/1912 Segel et al.
- 1,357,398 A 11/1920 Haywood
- 1,418,683 A 6/1922 Stevens
- 1,728,619 A 9/1929 Lambert
- 1,931,773 A 10/1933 Sobol
- 2,137,800 A 11/1938 Davey
- 2,421,339 A 5/1947 Leger
- 2,520,355 A 8/1950 Bell
- 3,266,081 A 8/1966 Heim
- 3,315,356 A 4/1967 Swanke et al.
- 3,418,713 A 12/1968 Bauer
- D226,410 S 2/1973 Kunze
- D227,071 S 6/1973 Bernedotte et al.
- 3,750,283 A 8/1973 Hoffman
- D230,562 S * 3/1974 Fellows D8/99
- D230,696 S 3/1974 Evrell et al.
- 3,839,788 A 10/1974 Addis
- 3,872,572 A 3/1975 Hahn

OTHER PUBLICATIONS

Gerber Serrated Edge Tanto G000190. Downloaded Oct. 11, 2010 at
http://www.gerberstore.com/index.php?xpage=itempage&xid=1055.*

(Continued)

Primary Examiner — Philip S Hyder
Assistant Examiner — Roselynn Cody
(74) *Attorney, Agent, or Firm* — Foley & Lardner LLP

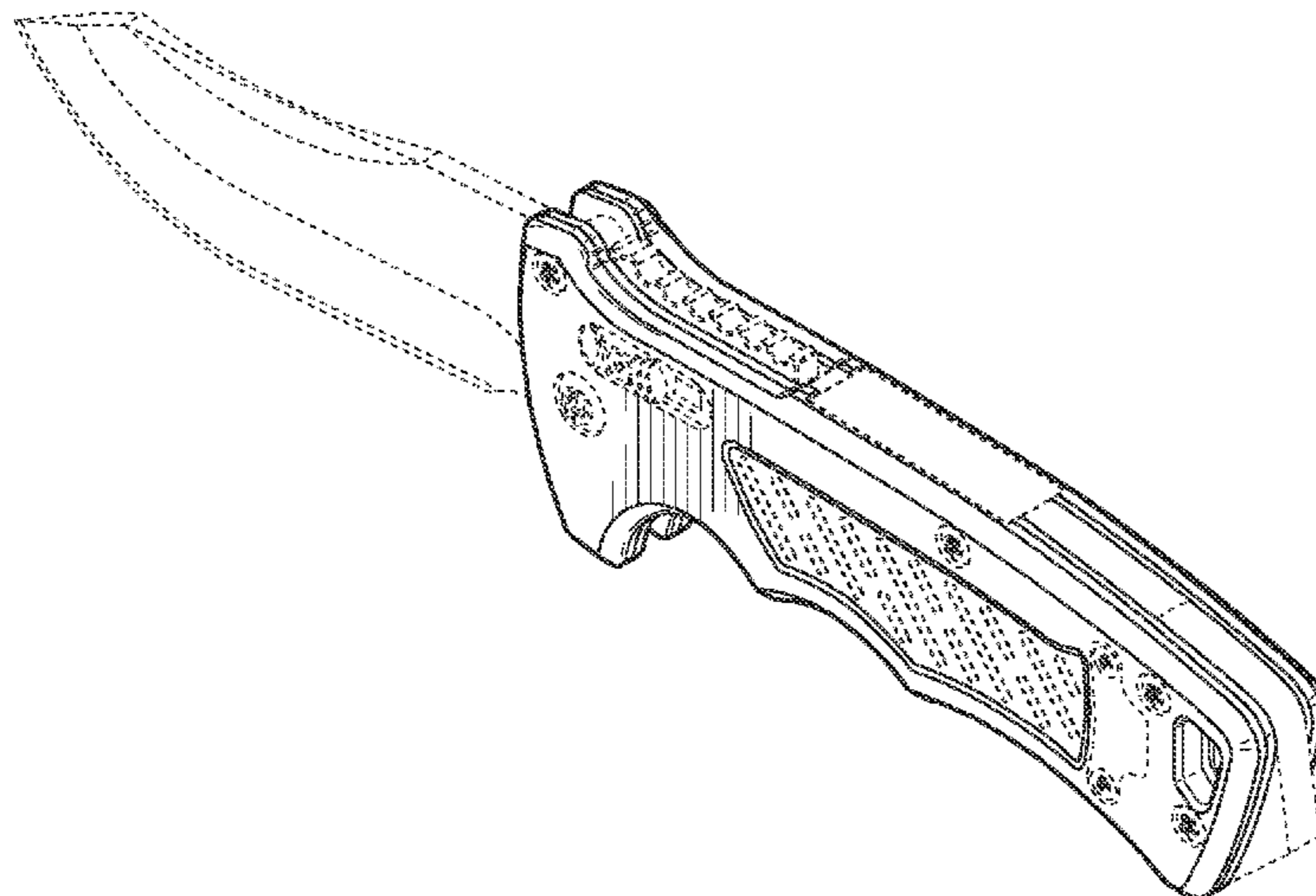
(57) **CLAIM**

We claim the ornamental design for a knife handle, as shown and described.

DESCRIPTION

FIG. 1 is a perspective view of the knife handle.
FIG. 2 is a front view of the knife handle.
FIG. 3 is a rear view of the knife handle.
FIG. 4 is a left side view of the knife handle.
FIG. 5 is a top view of the knife handle.
FIG. 6 is a right side view of the knife handle; and,
FIG. 7 is a bottom view of the knife handle.
The broken lines shown in the drawings illustrate environmental structure and form no part of the claimed design.

1 Claim, 2 Drawing Sheets



U.S. PATENT DOCUMENTS

D256,983 S 9/1980 Fogle
 4,233,737 A 11/1980 Poehlmann
 4,249,306 A 2/1981 Benson
 4,265,017 A 5/1981 Collins
 4,327,465 A 5/1982 Moritsch
 4,330,937 A 5/1982 Cope
 4,347,665 A 9/1982 Glesser
 4,391,043 A 7/1983 Sizemore et al.
 4,404,748 A 9/1983 Wiethoff
 4,408,394 A 10/1983 Phelps
 4,411,068 A 10/1983 Theodorides
 4,452,289 A 6/1984 Smith
 4,478,532 A 10/1984 Puro
 4,509,260 A 4/1985 Gringer
 D280,287 S 8/1985 Collins
 4,535,539 A 8/1985 Friedman et al.
 4,570,341 A 2/1986 Konneker
 4,578,864 A 4/1986 Hoffman
 D283,968 S * 5/1986 Marquis D7/652
 4,670,984 A 6/1987 Rickard
 4,716,653 A 1/1988 Skyba
 4,757,612 A 7/1988 Peyrot
 4,761,882 A 8/1988 Silverstein
 D298,211 S 10/1988 Coburn
 D299,413 S 1/1989 DeCarolis
 4,805,303 A 2/1989 Gibbs
 4,817,284 A 4/1989 Sacherman et al.
 4,825,552 A 5/1989 Bendickson et al.
 D302,649 S 8/1989 Porsche et al.
 D302,934 S 8/1989 Finn
 D304,154 S 10/1989 Osterhout
 D306,817 S 3/1990 McMorrough
 D307,383 S 4/1990 Huang
 4,918,820 A 4/1990 Korb et al.
 D307,702 S 5/1990 Hsu
 4,947,552 A 8/1990 Barnes
 4,949,457 A 8/1990 Burout, III
 4,985,998 A 1/1991 Howard
 4,989,320 A 2/1991 Borkott et al.
 5,025,557 A 6/1991 Perreault
 D317,847 S 7/1991 Loveless
 5,060,379 A 10/1991 Neely
 D321,820 S 11/1991 Russell
 5,093,995 A 3/1992 Jan
 5,111,581 A 5/1992 Collins
 5,131,149 A 7/1992 Thompson et al.
 D332,383 S 1/1993 Hagler et al.
 5,250,063 A 10/1993 Abidin et al.
 5,283,954 A 2/1994 Szabo
 D345,289 S 3/1994 Sakai
 5,303,474 A 4/1994 Keklak et al.
 D347,375 S 5/1994 Sakai
 D348,818 S 7/1994 Hasegawa
 D351,328 S 10/1994 Hasegawa
 5,400,509 A 3/1995 Collins
 D357,166 S 4/1995 Concari
 D361,254 S 8/1995 Silberstein
 D366,408 S 1/1996 Sessions et al.
 5,511,310 A 4/1996 Sessions et al.
 D371,289 S 7/1996 Huang
 5,553,386 A 9/1996 Hsu
 5,581,893 A 12/1996 Ouellette
 D384,871 S 10/1997 McWillis
 D389,718 S 1/1998 Wegner
 5,729,904 A 3/1998 Trott
 D398,509 S * 9/1998 Balolia D8/99
 D399,113 S * 10/1998 Balolia D8/99
 D407,004 S 3/1999 Hull et al.
 5,878,500 A 3/1999 Emerson
 D407,961 S 4/1999 Balolia
 D410,186 S * 5/1999 Balolia D8/99
 D412,275 S 7/1999 Collins
 5,926,959 A 7/1999 Collins
 D413,503 S 9/1999 Dugdale
 D414,541 S * 9/1999 Loveless D22/118
 D428,789 S 8/2000 McHenry et al.

6,131,292 A 10/2000 Reddig
 D433,913 S 11/2000 Pardue
 6,148,522 A 11/2000 Dobandi
 D435,400 S 12/2000 Veltz et al.
 D438,443 S 3/2001 Keating
 D442,461 S 5/2001 Glesser
 6,260,281 B1 7/2001 Okumura et al.
 6,263,581 B1 7/2001 Forte
 6,289,592 B1 9/2001 Emerson
 6,308,418 B1 10/2001 Sweet
 6,330,749 B1 12/2001 Khachatoorian et al.
 6,367,154 B2 4/2002 Degabli
 D461,387 S 8/2002 Glesser
 D473,917 S 4/2003 Carter, III
 D478,493 S 8/2003 Martone et al.
 6,638,290 B2 10/2003 Pascaloff et al.
 6,763,747 B1 7/2004 Gierer et al.
 D528,895 S 9/2006 Ping
 7,174,590 B1 2/2007 Quenzi
 D541,128 S 4/2007 Farland
 7,234,241 B2 6/2007 Chu
 D553,468 S 10/2007 Freeman
 D560,998 S 2/2008 Farland
 D561,554 S 2/2008 Taylor
 D562,932 S * 2/2008 Taylor D22/118
 D564,326 S * 3/2008 Tsuda et al. D8/99
 D575,614 S * 8/2008 Galyean D8/99
 D578,857 S * 10/2008 Yang-Fu D8/99
 D581,241 S 11/2008 Freeman
 D582,243 S 12/2008 Freeman et al.
 D582,747 S 12/2008 Freeman et al.
 D610,896 S * 3/2010 Linn D8/107
 7,748,122 B2 * 7/2010 Duey 30/159
 2003/0079353 A1 5/2003 Lovell et al.
 2004/0158991 A1 8/2004 Freeman
 2005/0132576 A1 6/2005 Onion
 2005/0252010 A1 11/2005 Freeman
 2006/0080840 A1 4/2006 Freeman
 2007/0227012 A1 10/2007 Constantine et al.
 2010/0236078 A1 * 9/2010 Duey 30/159

OTHER PUBLICATIONS

Smith & Wesson Extreme Ops HRT Knife. Snagged Oct. 11, 2009 at <http://www.knife-depot.com/knife-211050.html>.
 Notice of Allowance for U.S. Appl. No. 29/316,495, mail date Feb. 4, 2010, 6 pages.
 Pacific Knife, available at least as early as Sep. 2006, 1 page, Chris Reeve Knives®.
 Photograph of Prototype of Pacific Knife, available at least as early as Sep. 2006, 1 page.
 Santiam™ II Fine Edge Knife, available at least as early as 2006, 1 page.
 Gerber Custom Series Knives, Gerber Legendary Blades, available at least as early as 1977, 1 page.
 Smokey Mountain knife works catalog, 2003, pp. 9, 20, 21, 22, 23, 46, 47, 48, 64, 65.
 Knife Center website, Gerber folding knives, available at least as early as May 15, 2007, 3 pages.
 Knife Center website, Automatic opening knives, available at least as early as May 15, 2007, 2 pages.
 Photographs of knife handles, available at least as early as Jul. 26, 2006, 2 pages.
 Gator® Exchange-A-Blade™ Saw, Product No. 6047, believed to have been available prior to May 17, 2004, 1 page.
 Katz Knives, Inc., Symbol of Quality Knives, Katz Knives Catalog, 2003, 2 pages.
 Bladetradors, printed from website www.kershawknives.com on Mar. 18, 2004, 2 pages.
 Safari Kit, printed from website www.katzknives.com on Mar. 18, 2004, 3 pages.
 Bolt-Action Knives, Gerber Legendary Blades Catalog, 1994, 1 page.

* cited by examiner

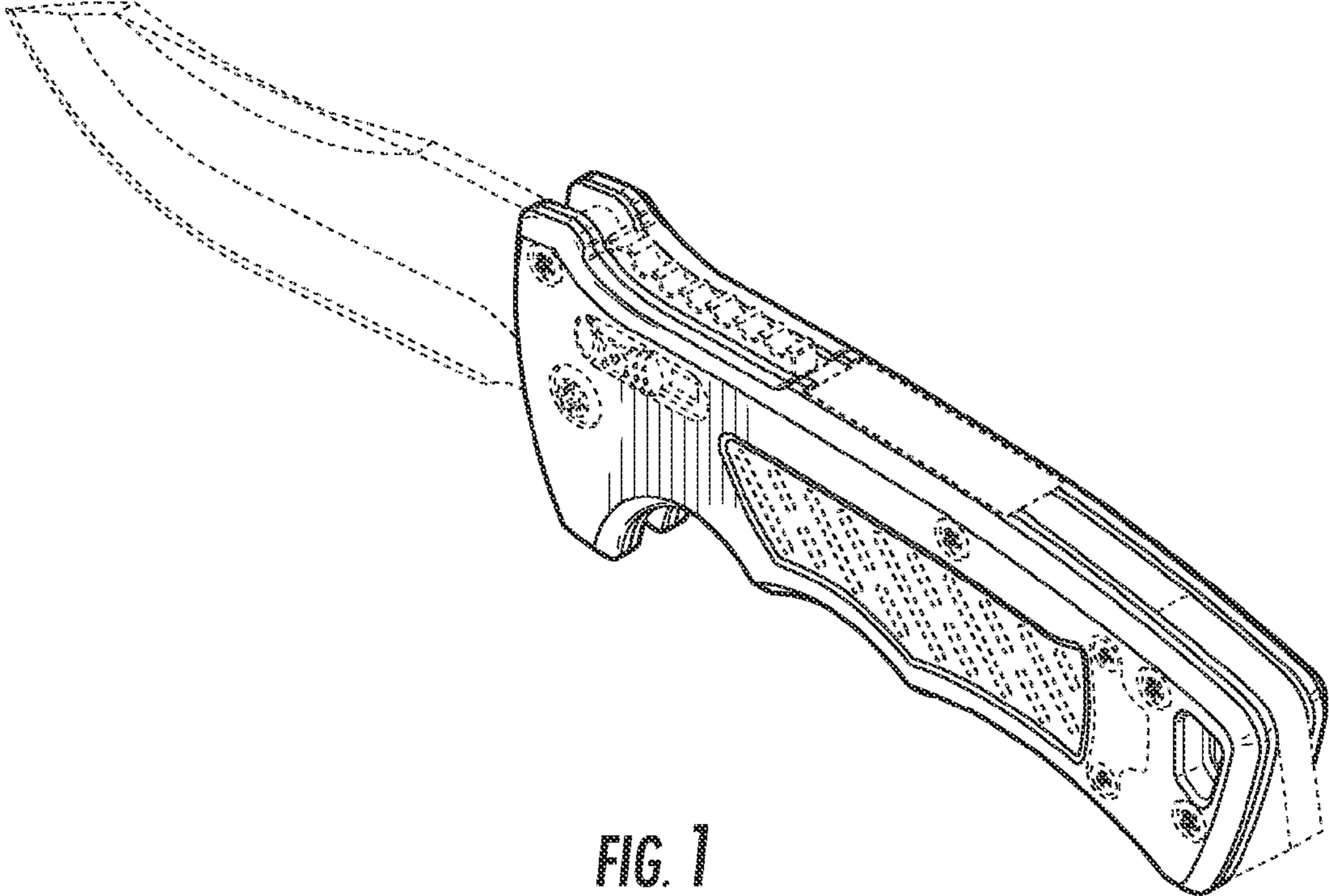


FIG. 1

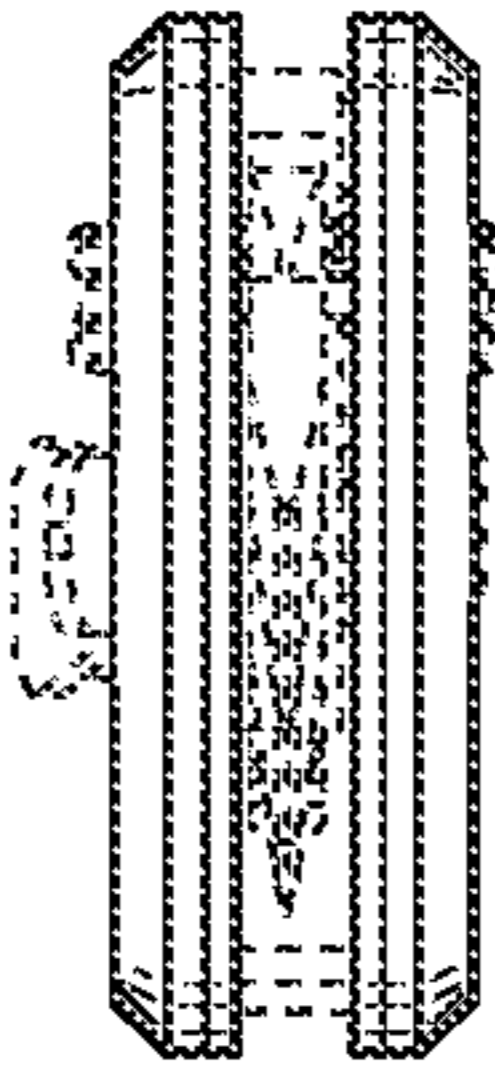


FIG. 2

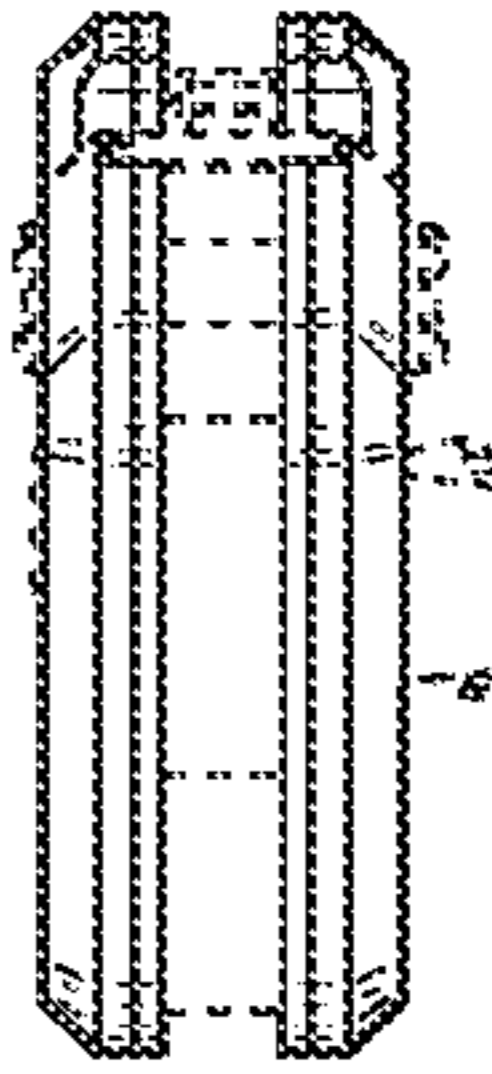


FIG. 3

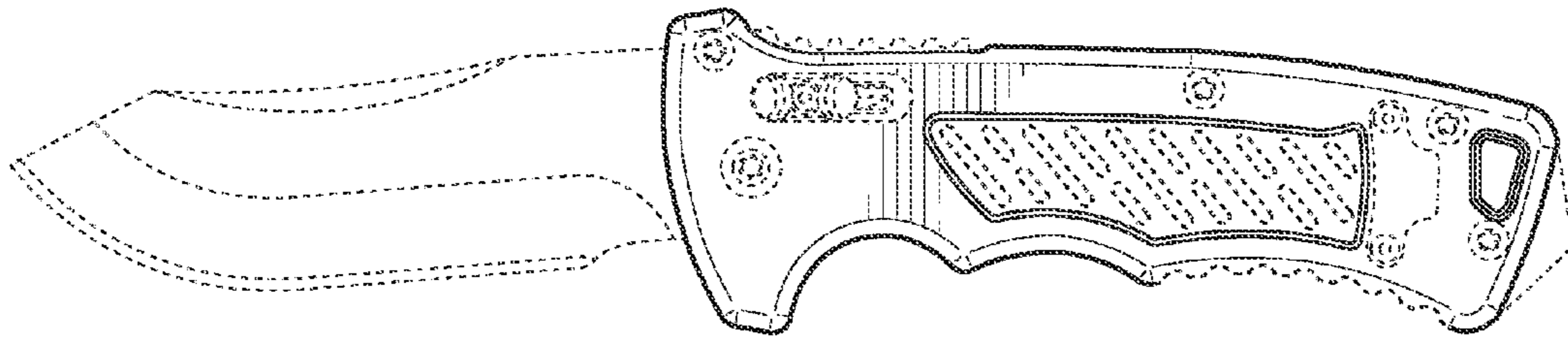


FIG. 4



FIG. 5

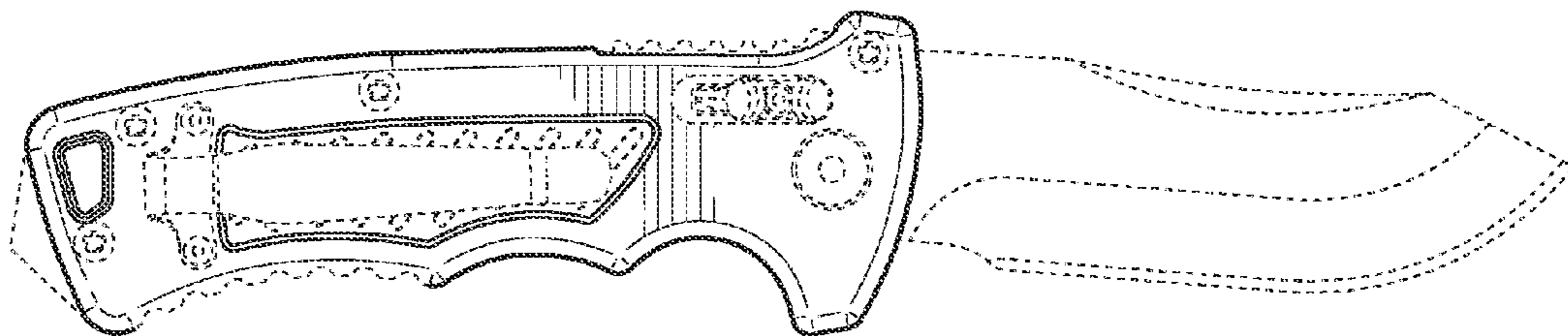


FIG. 6

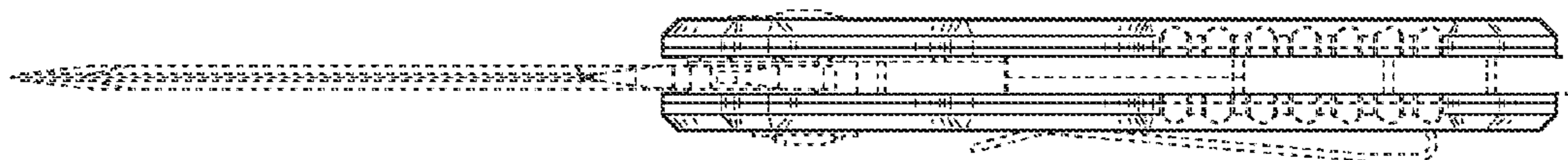


FIG. 7