



US00D639629S

(12) **United States Design Patent**
Torigai et al.

(10) **Patent No.:** **US D639,629 S**
(45) **Date of Patent:** **** Jun. 14, 2011**

(54) **BOLT OR NUT TIGHTENING DEVICE**

Primary Examiner — Antoine D Davis

(75) Inventors: **Yukio Torigai**, Sakai (JP); **Kenichi Tachiiri**, Osaka (JP)

(74) *Attorney, Agent, or Firm* — Eckert Seamans Cherin & Mellott, LLC; Kirk D. Houser, Esquire

(73) Assignee: **Maeda Metal Industries, Ltd.**, Osaka (JP)

(57) **CLAIM**

(**) Term: **14 Years**

The ornamental design for bolt or nut tightening device, substantially as shown and described.

(21) Appl. No.: **29/370,064**

(22) Filed: **Jun. 1, 2010**

DESCRIPTION

(30) **Foreign Application Priority Data**

Dec. 3, 2009 (JP) 2009-028195

(51) **LOC (9) Cl.** **08-01**

(52) **U.S. Cl.** **D8/61; D8/69**

(58) **Field of Classification Search** D8/61,
D8/69; 81/57.13, 57.14, 57.22, 57.3, 57.31,
81/57.39, 55, 467, 479

See application file for complete search history.

FIG. 1 is a first perspective view of a bolt or nut tightening device of the present design, as seen from diagonally left upward;

FIG. 2 is a second perspective view thereof, as seen from diagonally right upward;

FIG. 3 is a front elevational view thereof;

FIG. 4 is a left side view thereof;

FIG. 5 is a right side view thereof;

FIG. 6 is a top plan view thereof;

FIG. 7 is a bottom plan view thereof;

FIG. 8 is a sectional view taken on line 8—8 of FIG. 4 omitting internal mechanism of the device;

FIG. 9 is a sectional view taken on line 9—9 of FIG. 3

FIG. 10 is a sectional view taken on line 10—10 of FIG. 3

FIG. 11 is a sectional view taken on line 11—11 of FIG. 3

FIG. 12 is a sectional view taken on line 12—12 of FIG. 3

FIG. 13 is a sectional view taken on line 13—13 of FIG. 3; and,

FIG. 14 is a sectional view taken on line 14—14 of FIG. 3.

The broken lines are shown in the views for illustrative purposes only and form no part of the claimed invention.

(56) **References Cited**

U.S. PATENT DOCUMENTS

5,953,965	A *	9/1999	Kaneyama et al.	81/55
D569,207	S	5/2008	Torigai et al.	
D580,248	S *	11/2008	Rane et al.	D8/61
D586,640	S *	2/2009	Torigai et al.	D8/69
7,484,714	B1 *	2/2009	Tsai	81/57.13
D602,756	S *	10/2009	Henssler et al.	D8/61
D606,831	S *	12/2009	Shiota et al.	D8/69
D609,989	S *	2/2010	Torigai	D8/69
D624,380	S *	9/2010	Rane et al.	D8/61
7,886,635	B2 *	2/2011	Kaneyama et al.	81/57.14

* cited by examiner

1 Claim, 2 Drawing Sheets

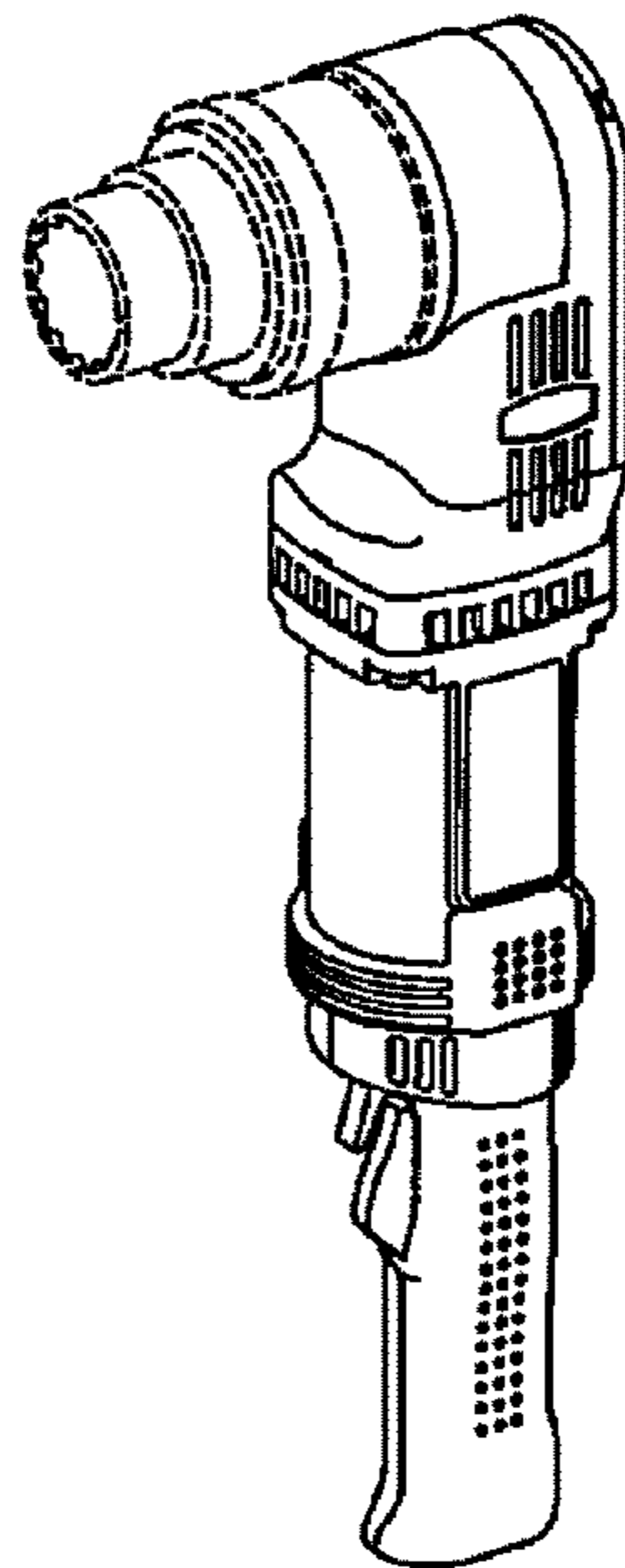


FIG. 1

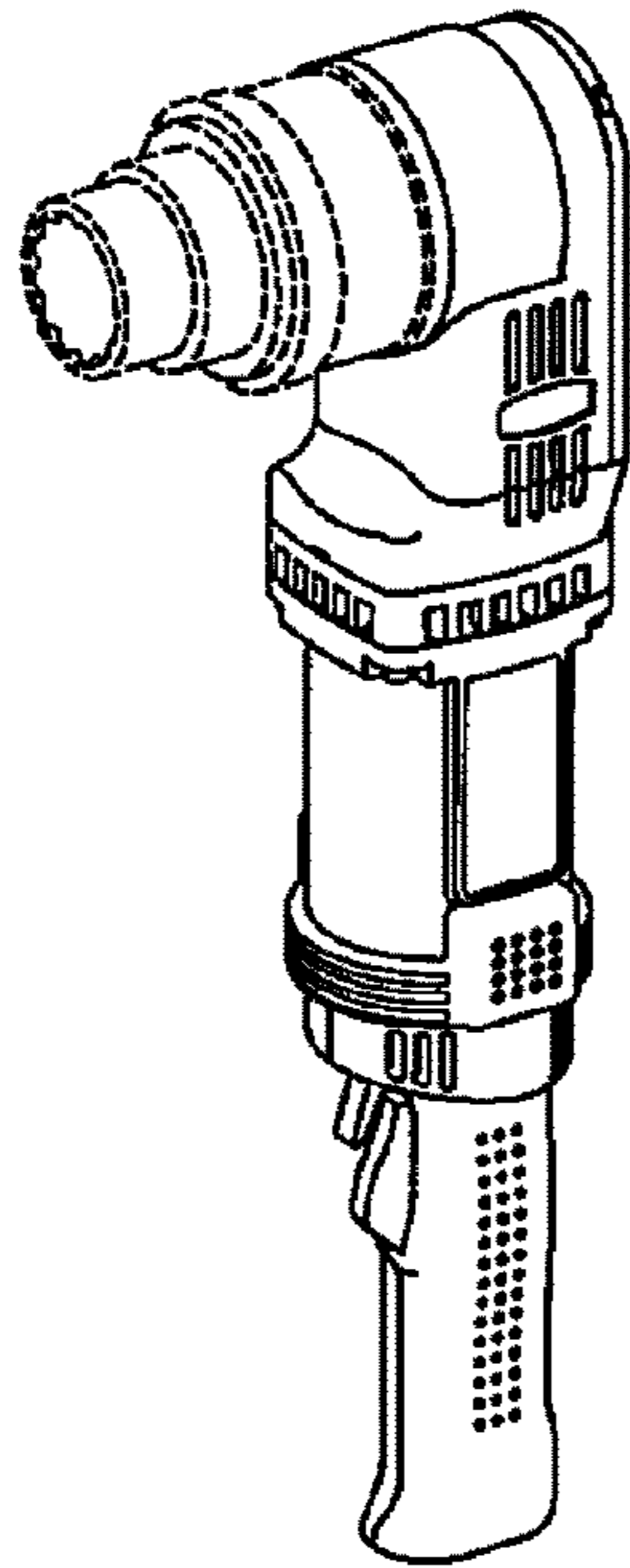


FIG. 2

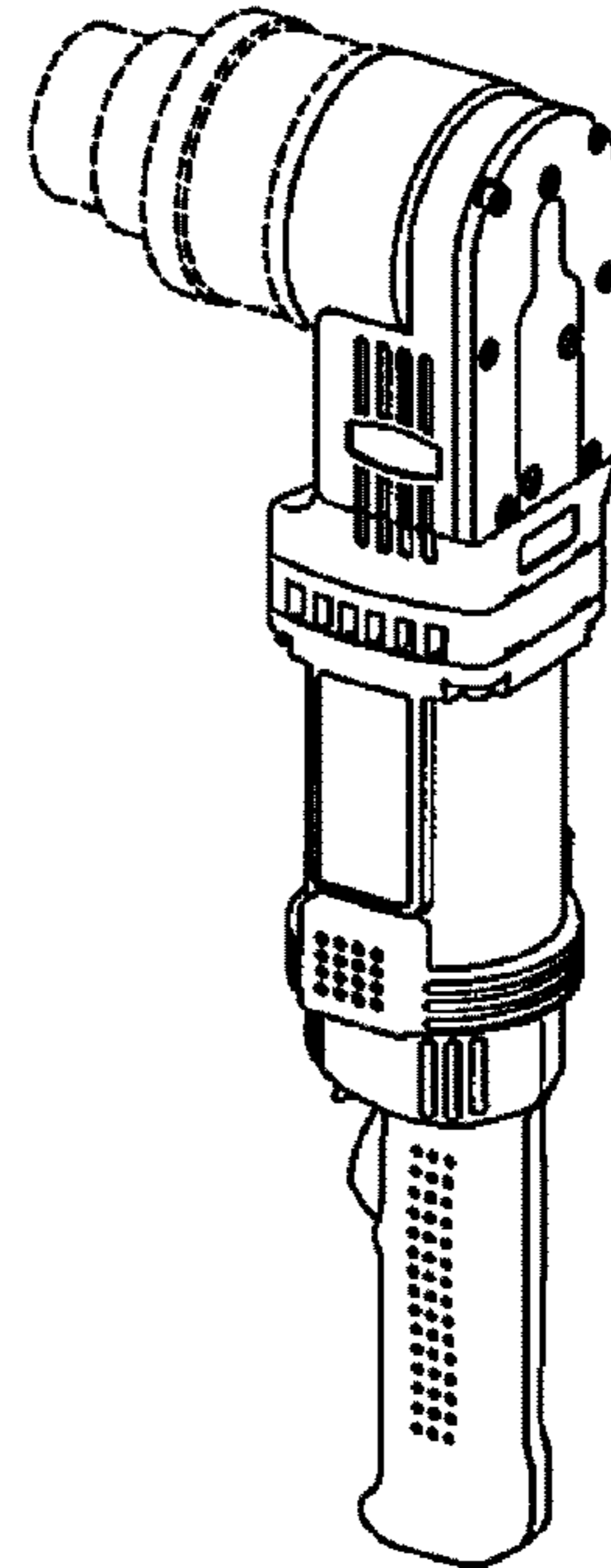


FIG. 3

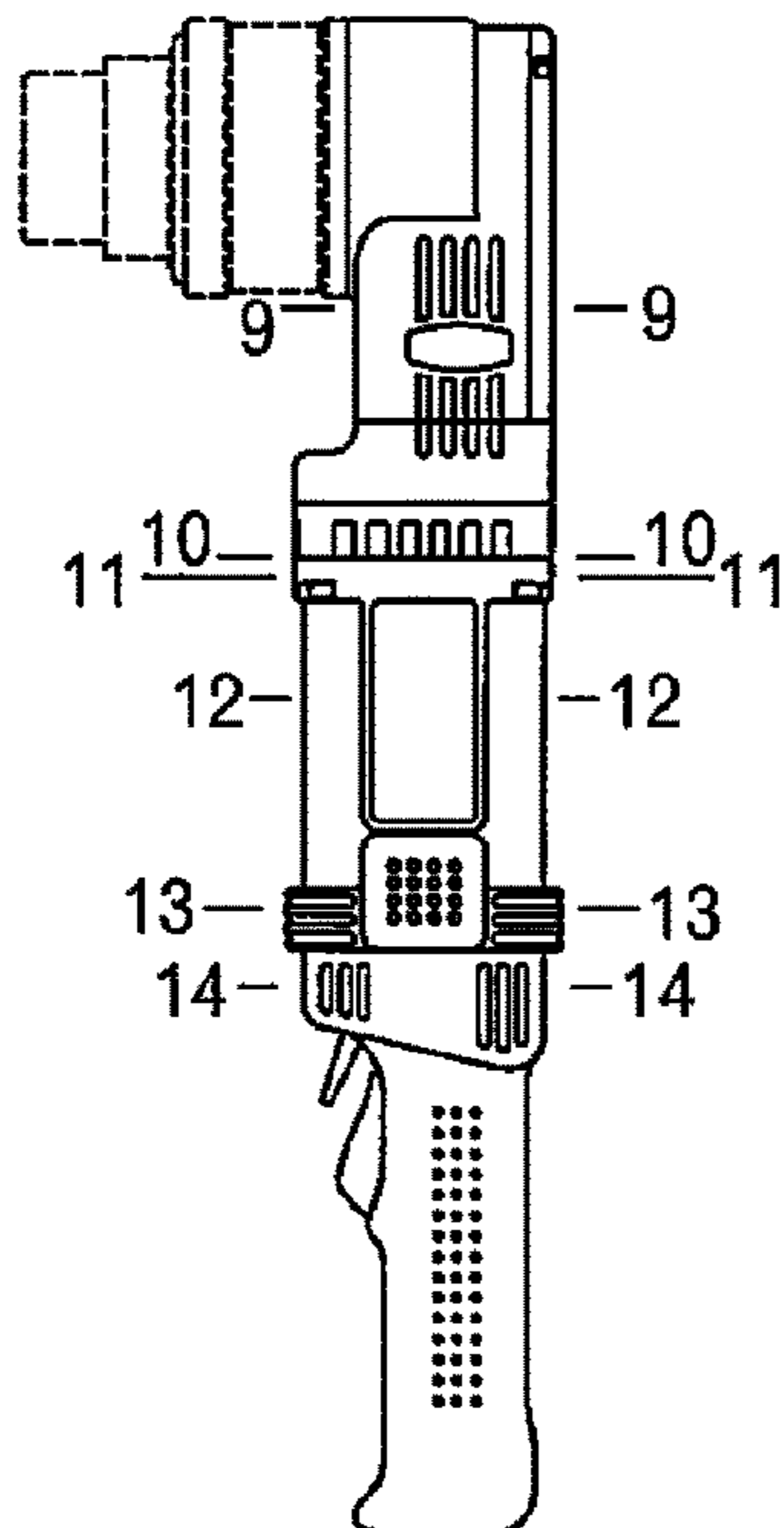


FIG. 4

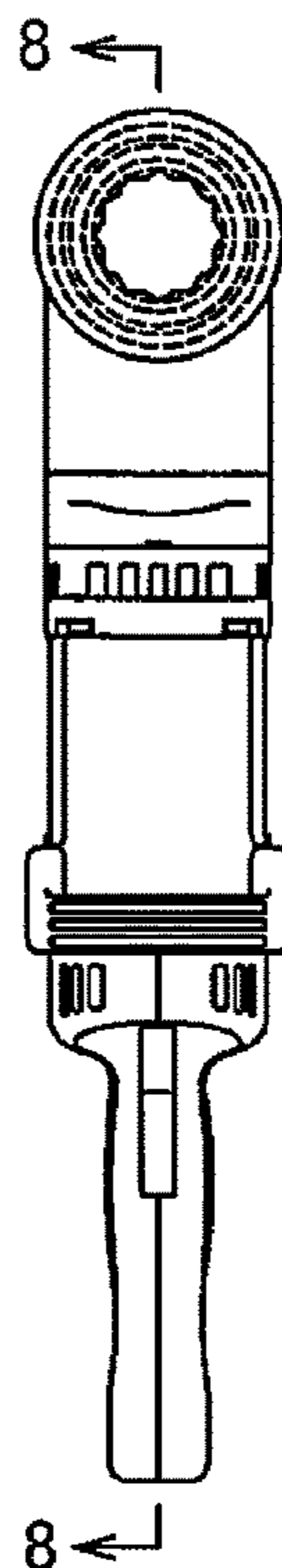


FIG. 5

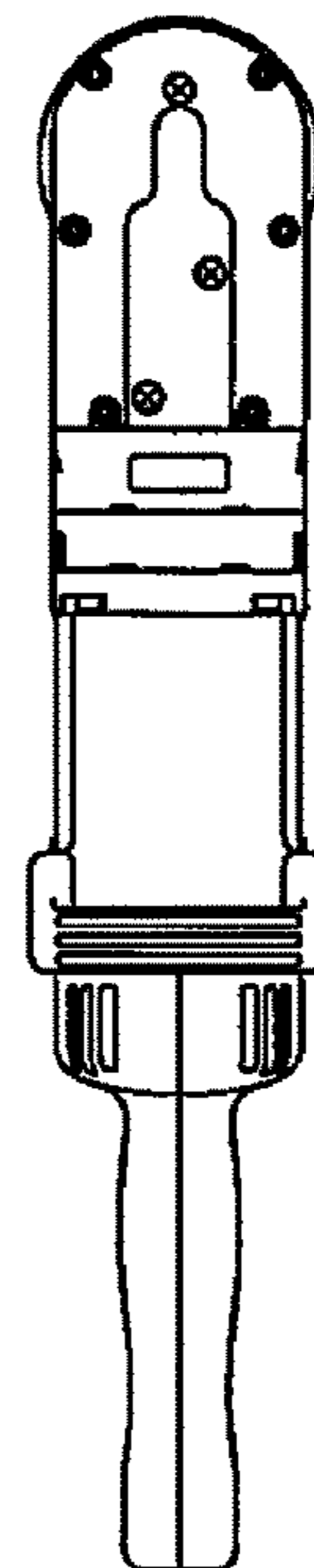


FIG. 6

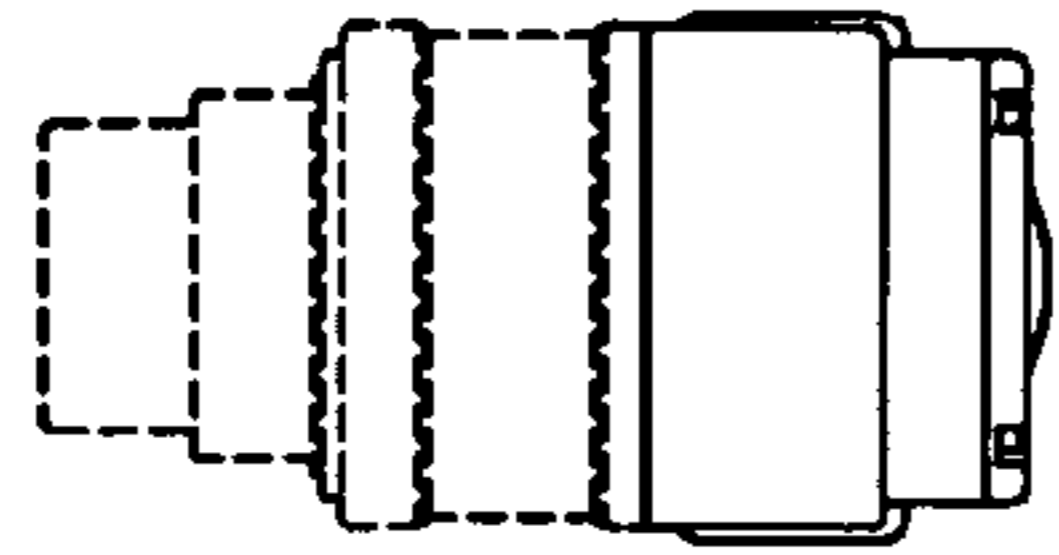


FIG. 7

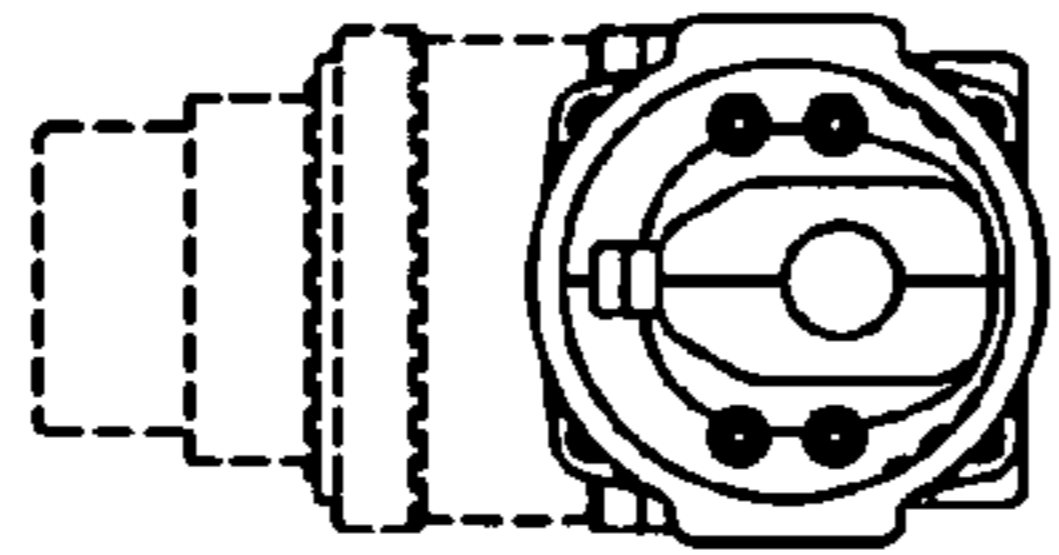


FIG. 8

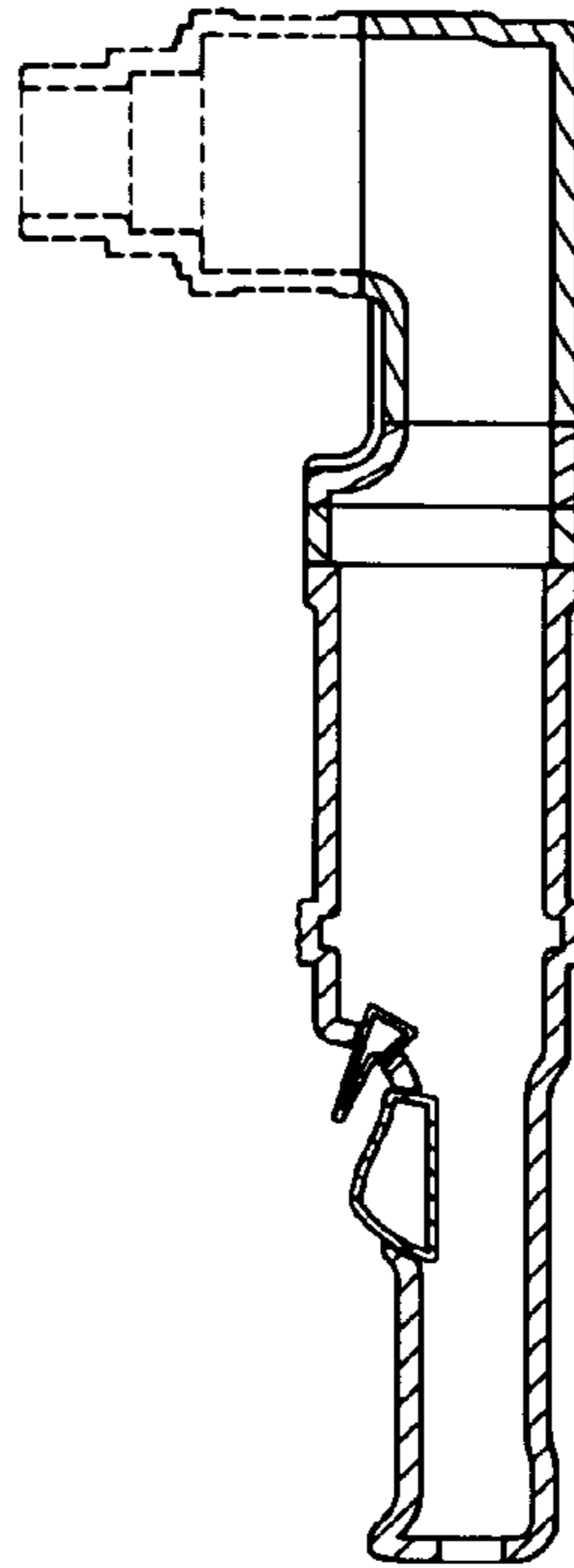


FIG. 9

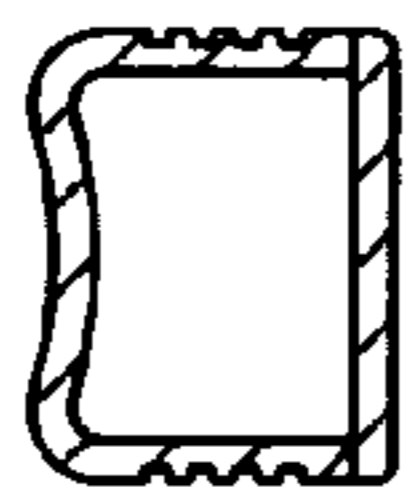


FIG. 10

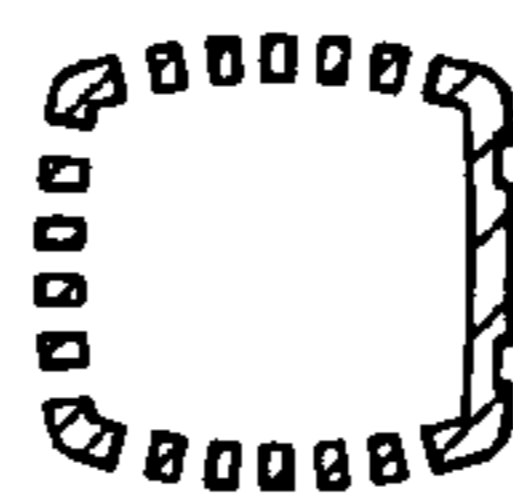


FIG. 11

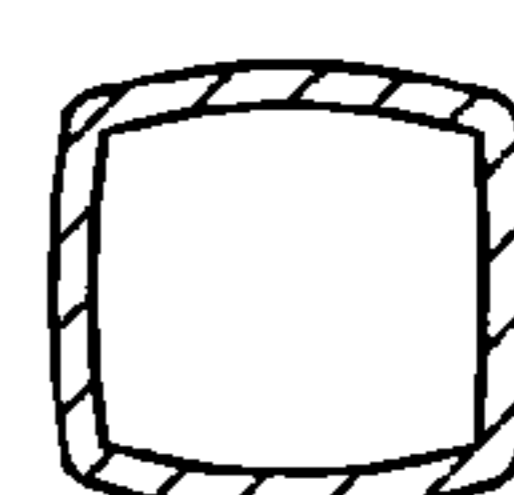


FIG. 12

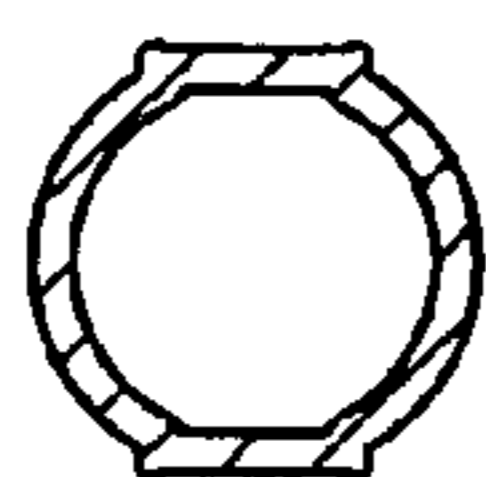


FIG. 13

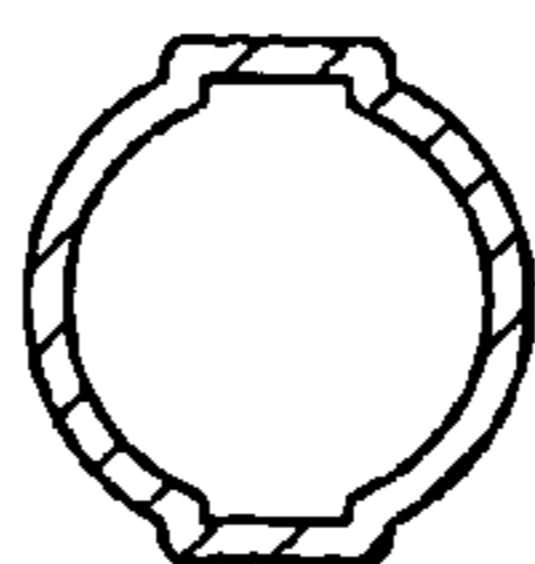


FIG. 14

