



US00D639628S

(12) **United States Design Patent**
Zhou et al.

(10) **Patent No.:** **US D639,628 S**
(45) **Date of Patent:** **** Jun. 14, 2011**

(54) **POWERED PLASTIC PIPE CUTTER**

(75) Inventors: **Qi Zhou**, Shanghai (CN); **Sheng'an Tang**, Shanghai (CN)

(73) Assignee: **Emerson Professional Tools (Shanghai) Co., Ltd.**, Shanghai (CN)

(**) Term: **14 Years**

(21) Appl. No.: **29/366,580**

(22) Filed: **Jul. 27, 2010**

(30) **Foreign Application Priority Data**

Jan. 27, 2010 (CN) 2010 3 0104091

(51) **LOC (9) Cl.** **08-31**

(52) **U.S. Cl.** **D8/61**

(58) **Field of Classification Search** D8/70,
D8/69, 68, 61, 5; D28/53, 54; 30/228, 216;
173/170; 119/610

See application file for complete search history.

(56) **References Cited**

U.S. PATENT DOCUMENTS

D388,300 S * 12/1997 Jeltsch D8/61
D413,241 S * 8/1999 Lai D8/61
D415,400 S * 10/1999 Mizutani et al. D8/69
D507,953 S * 8/2005 Watson et al. D8/69

D512,623 S * 12/2005 Huang D8/70
D531,867 S * 11/2006 Payne et al. D8/61
D553,461 S * 10/2007 Neiser D8/57
D555,999 S * 11/2007 Lai D8/51
D559,647 S * 1/2008 Watson D8/69
D570,660 S * 6/2008 Wang D8/61
2010/0088898 A1 * 4/2010 Thorson et al. 30/95

* cited by examiner

Primary Examiner — Austin Murphy

(74) *Attorney, Agent, or Firm* — Harness, Dickey & Pierce, P.L.C.

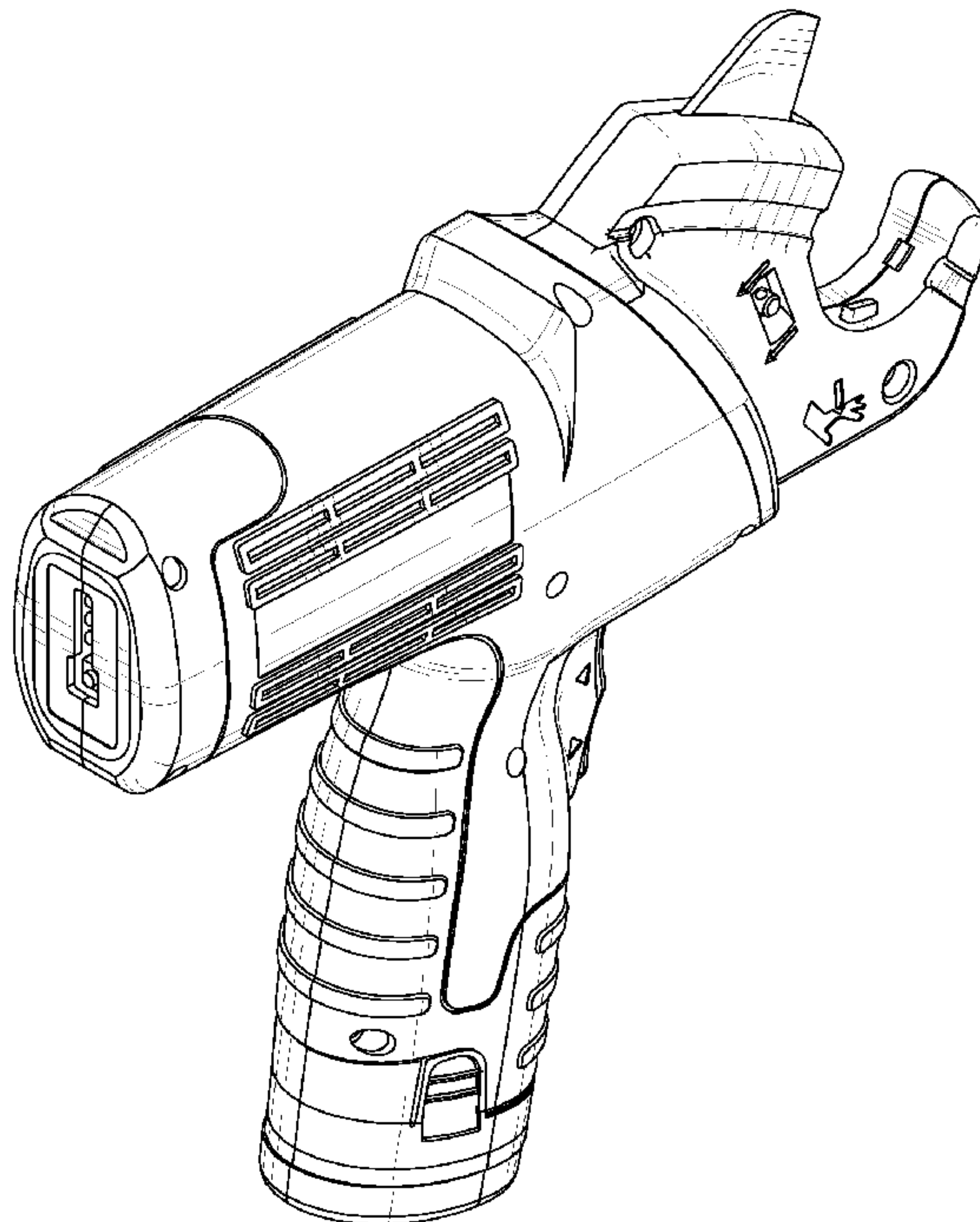
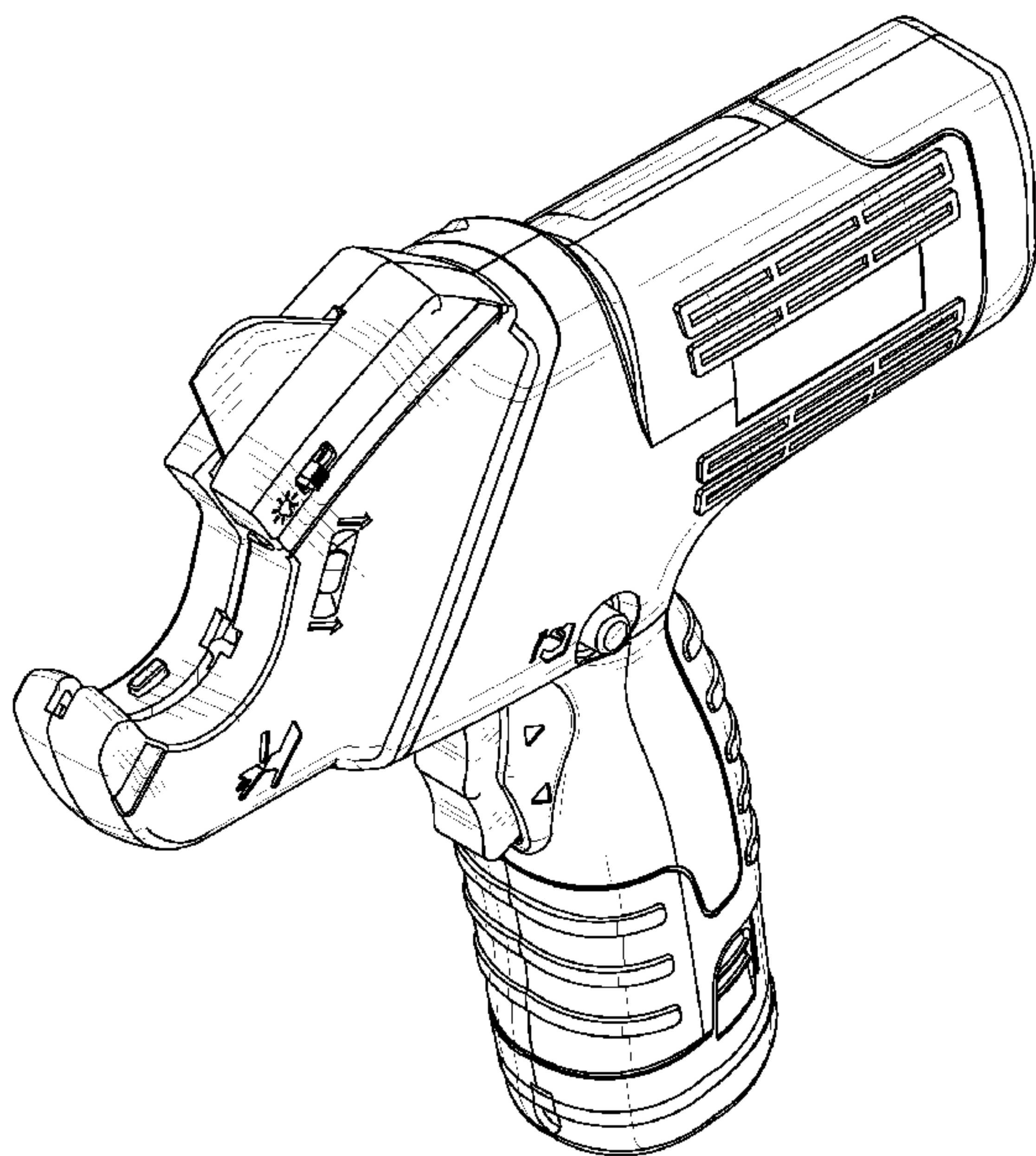
(57) **CLAIM**

The ornamental design for a powered plastic pipe cutter, as shown and described.

DESCRIPTION

FIG. 1 is a front view of a powered plastic pipe cutter embodying our new design;
FIG. 2 is a back view thereof;
FIG. 3 is a left side view thereof;
FIG. 4 is a right side view thereof;
FIG. 5 is a top plan view thereof;
FIG. 6 is a bottom view thereof;
FIG. 7 is a top and front perspective view thereof; and,
FIG. 8 is a top and rear perspective view thereof.

1 Claim, 6 Drawing Sheets



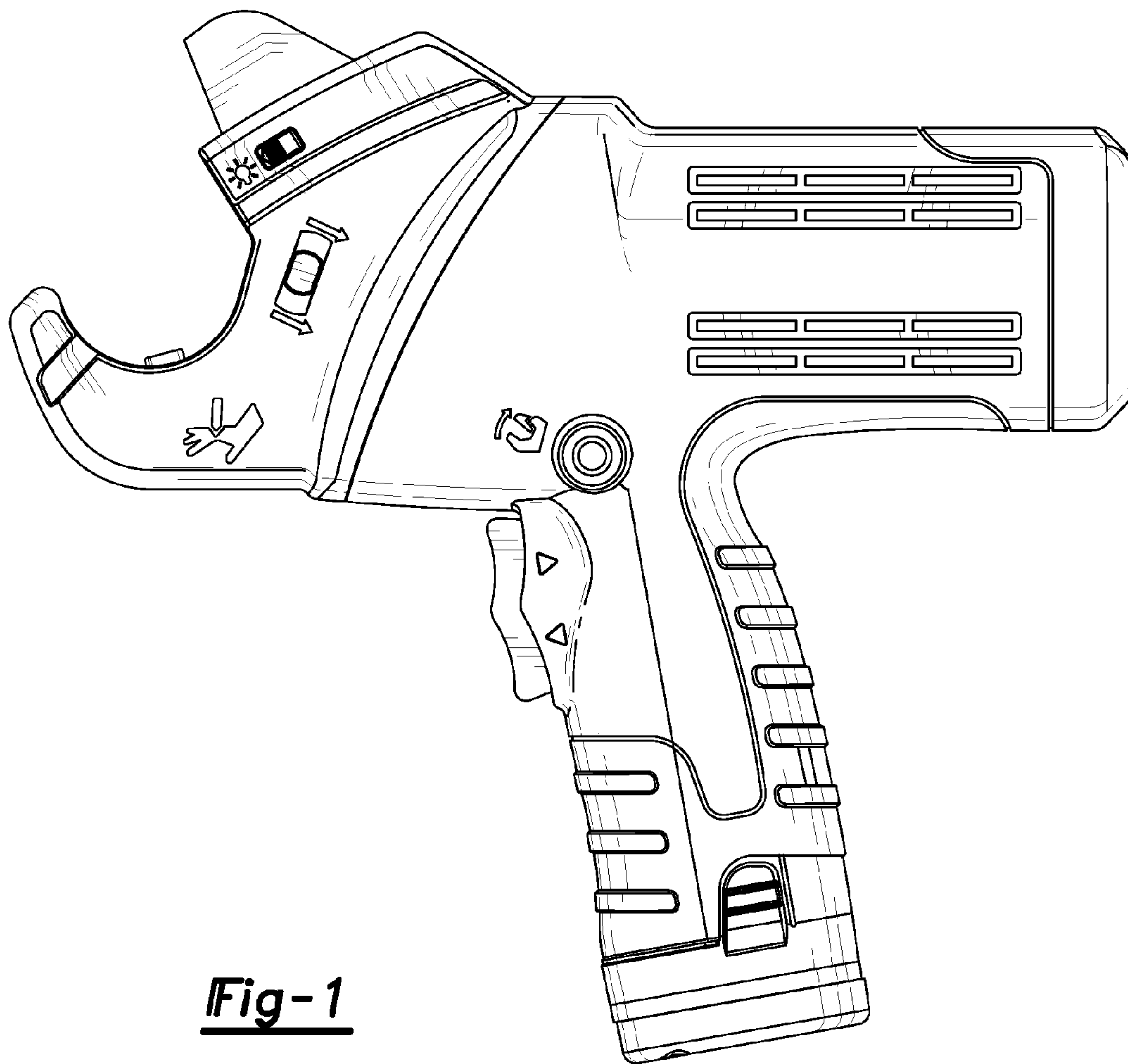


Fig-1

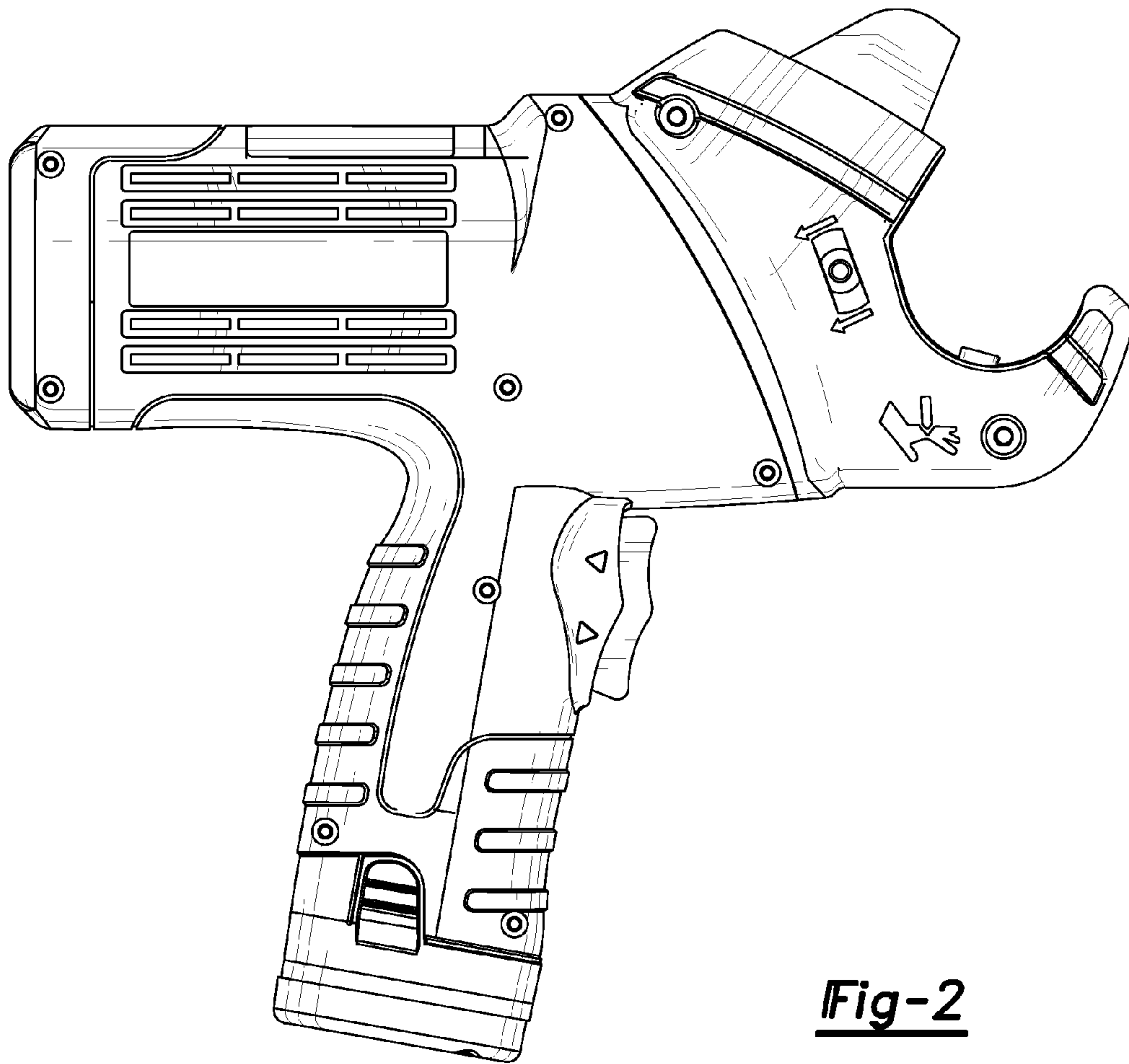


Fig-2

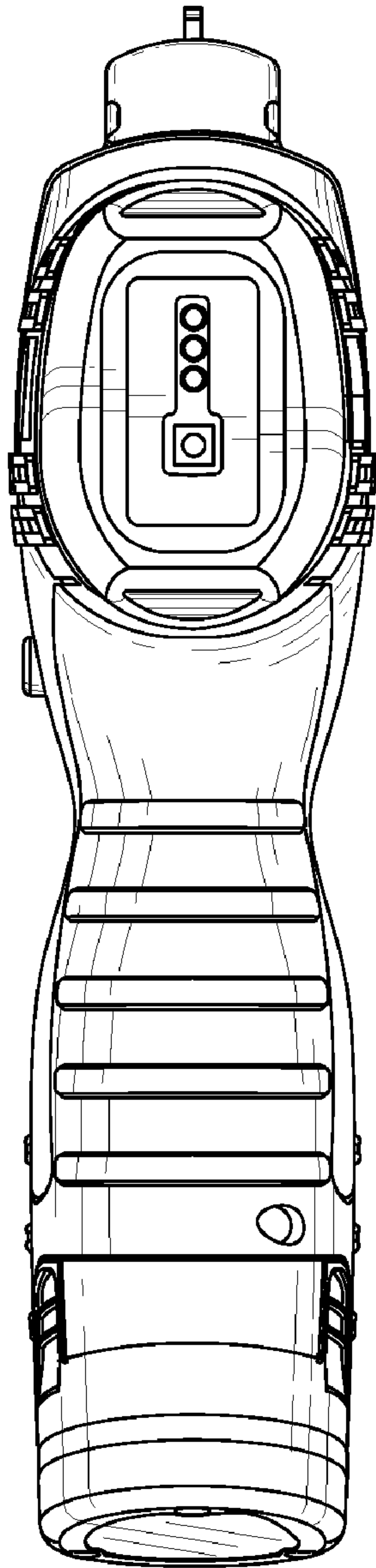


Fig-3

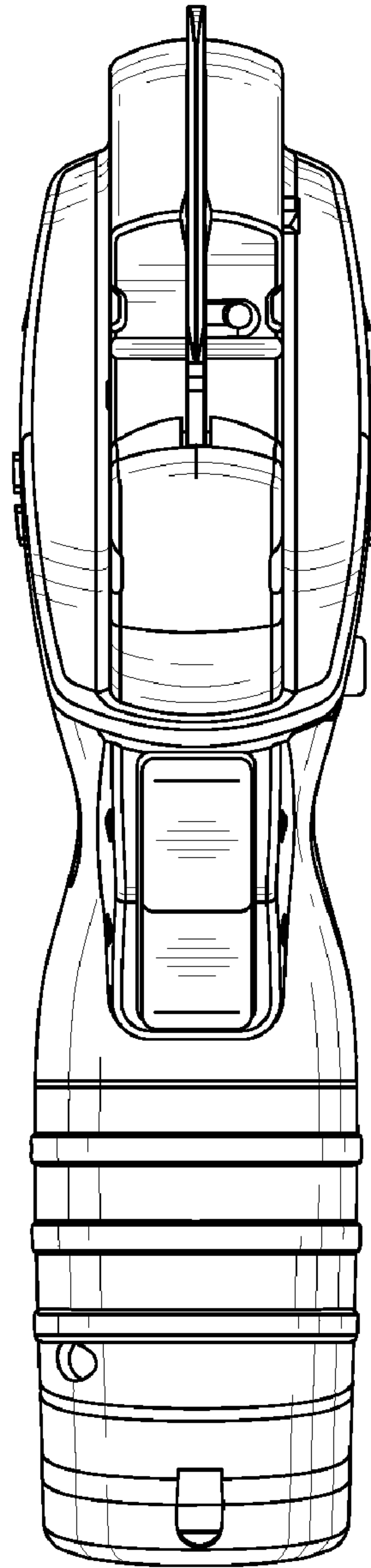


Fig-4

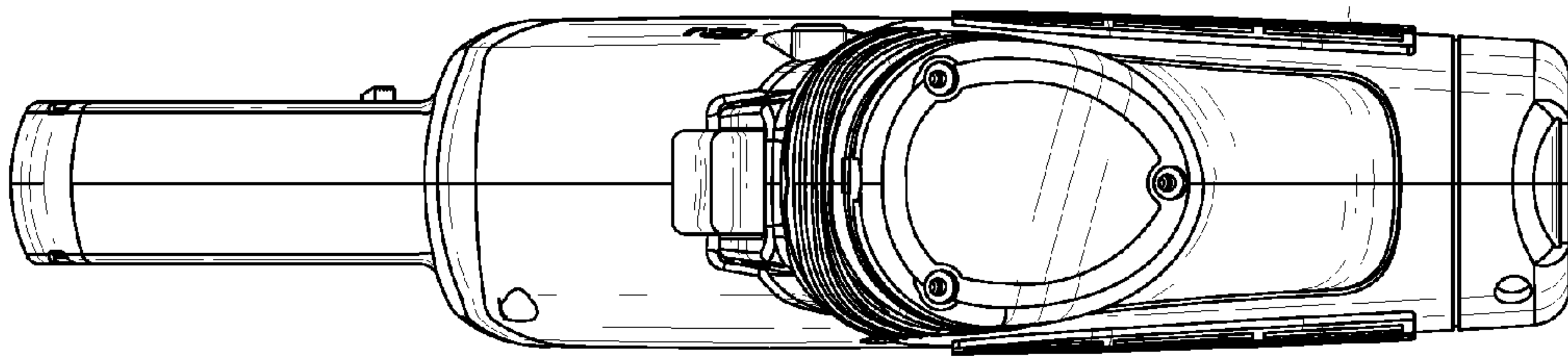


Fig-5

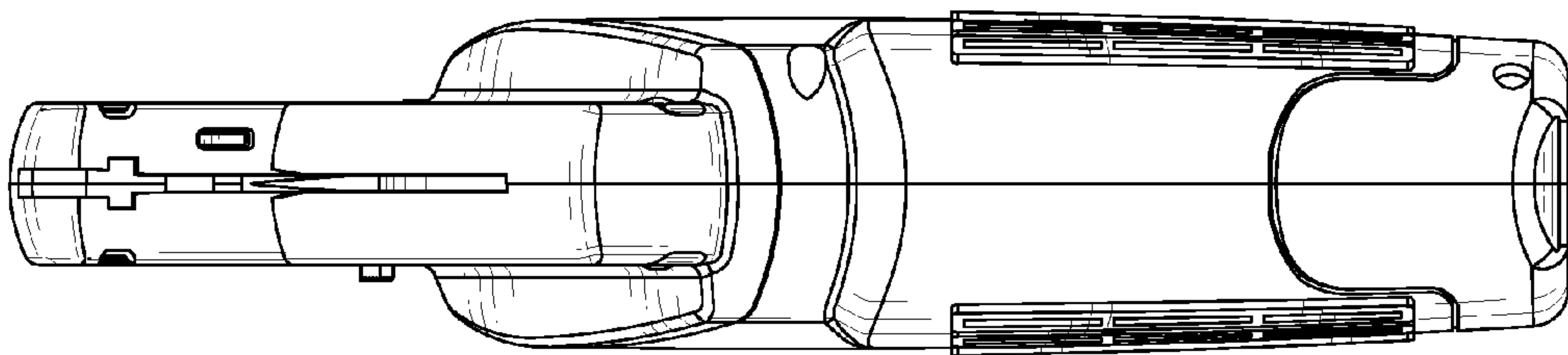


Fig-6

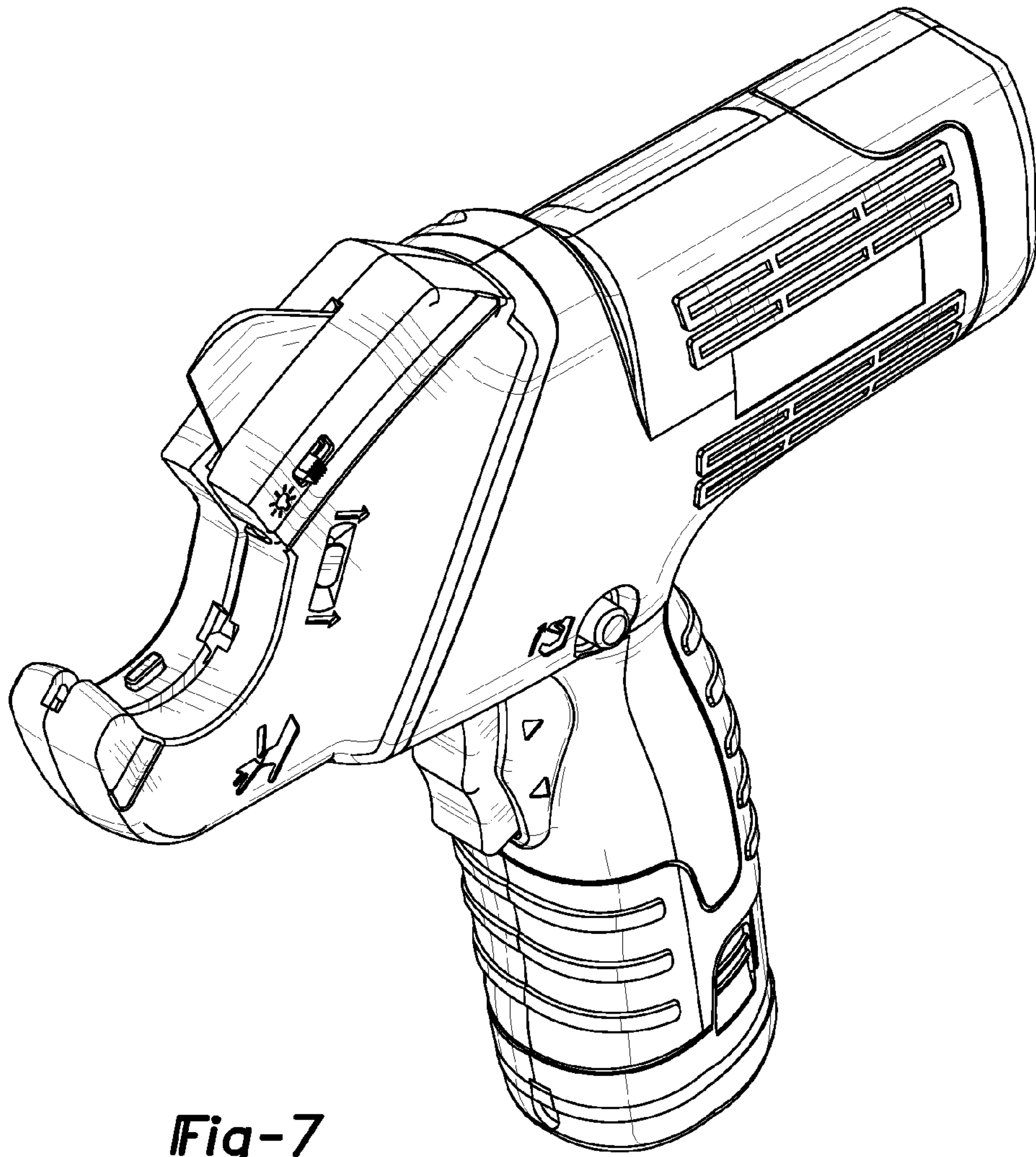


Fig-7

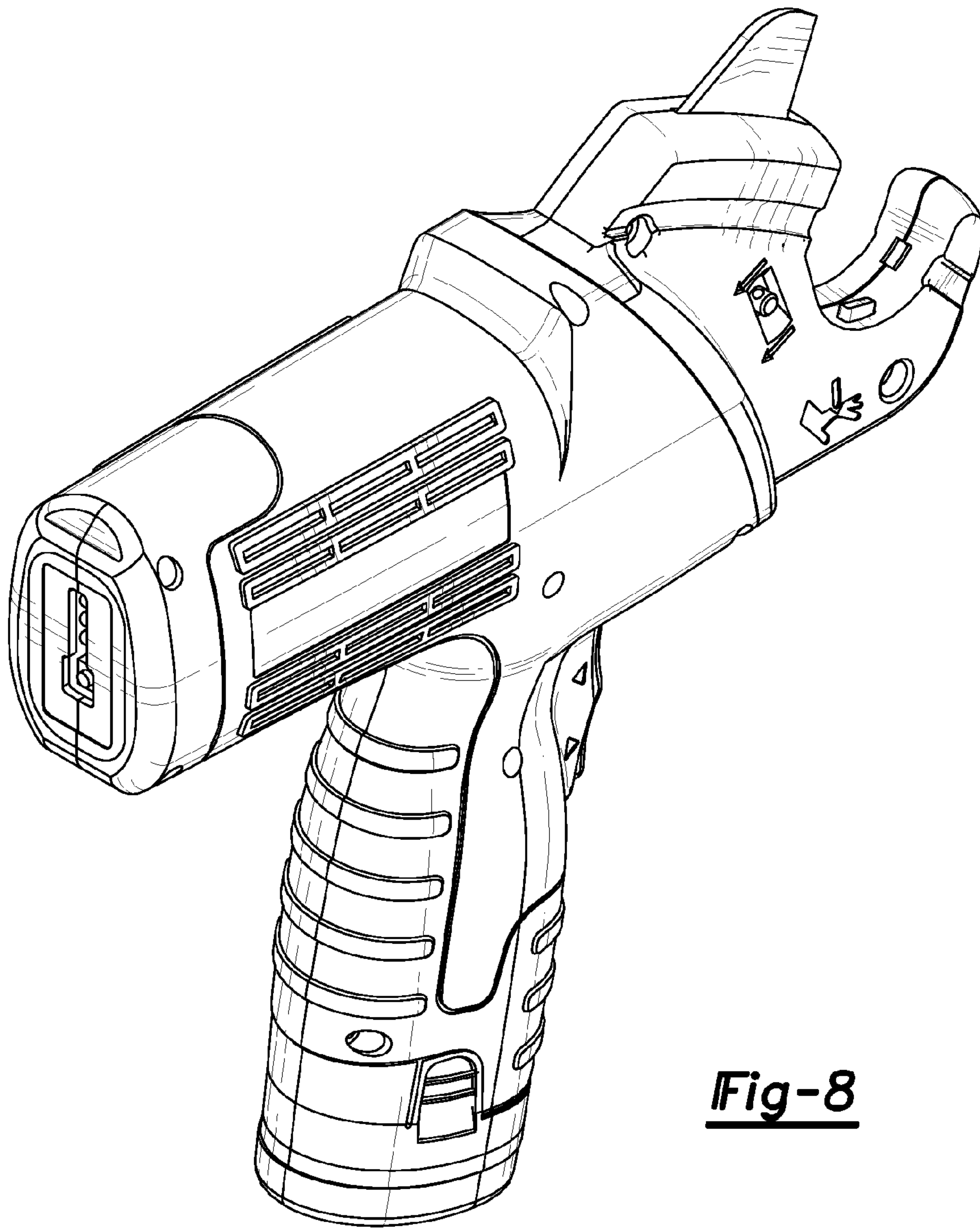


Fig-8