



US00D639627S

(12) **United States Design Patent**  
**Seeds et al.**

(10) **Patent No.:** **US D639,627 S**  
(45) **Date of Patent:** **\*\* Jun. 14, 2011**

(54) **COMMUNICATION TOOL**  
(75) Inventors: **Darrin Seeds**, Vancouver, WA (US);  
**John Nason**, Keizer, OR (US); **Hal**  
**Hardinge**, Tigard, OR (US)  
(73) Assignee: **Fiskars Brands, Inc.**, Madison, WI (US)  
(\*\*) Term: **14 Years**

D424,899 S \* 5/2000 Jaime ..... D8/52  
6,088,860 A 7/2000 Poehlmann et al.  
D428,785 S \* 8/2000 Jimenez et al. .... D8/52  
6,108,845 A 8/2000 Hung et al.  
6,131,495 A \* 10/2000 Chen ..... 81/423  
D433,608 S 11/2000 Poehlmann et al.  
6,145,144 A 11/2000 Poehlmann et al.  
6,185,771 B1 2/2001 Trusty, Sr.  
6,219,870 B1 4/2001 Swinden et al.

(Continued)

(21) Appl. No.: **29/362,612**

FOREIGN PATENT DOCUMENTS

(22) Filed: **May 27, 2010**

EP 0 653 975 B1 10/2001

(51) **LOC (9) Cl.** ..... **08-05**

(52) **U.S. Cl.** ..... **D8/52**

(58) **Field of Classification Search** ..... D8/5, 52,  
D8/54, 58, 68, 98, 105, 55; 30/203, 131,  
30/260, 193, 194, 296.1; 81/177.1-177.7,  
81/436, 439, 440, 489, 417  
See application file for complete search history.

OTHER PUBLICATIONS

U.S. Appl. No. 29/335,234, filed Apr. 10, 2009, Freeman et al.

(Continued)

*Primary Examiner* — Holly Baynham  
*Assistant Examiner* — Sheryl Lane  
(74) *Attorney, Agent, or Firm* — Foley & Lardner LLP

(56) **References Cited**

(57) **CLAIM**

U.S. PATENT DOCUMENTS

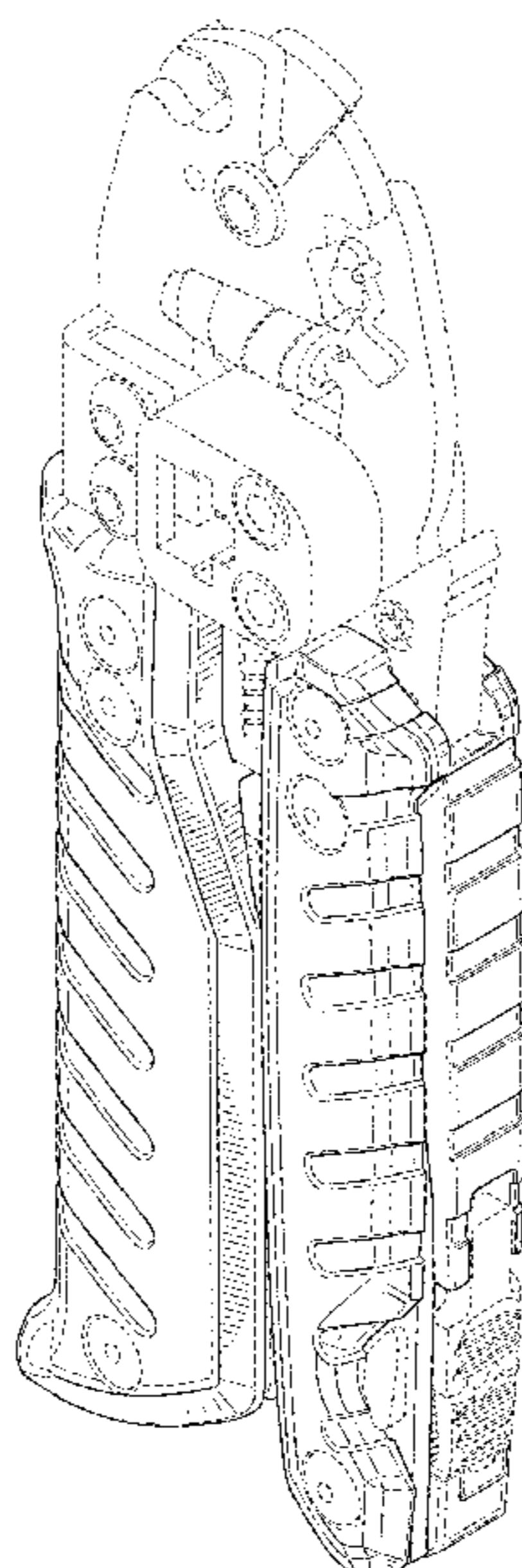
We claim the ornamental design for a communication tool, as shown and described.

- 2,478,696 A 8/1949 Isele
- 4,238,862 A 12/1980 Leatherman
- 4,744,272 A 5/1988 Leatherman
- 5,142,721 A 9/1992 Sessions et al.
- 5,212,844 A 5/1993 Sessions et al.
- D367,807 S 3/1996 Hung
- 5,564,318 A 10/1996 Pail
- 5,664,274 A 9/1997 Collins
- 5,697,114 A 12/1997 McIntosh et al.
- D389,030 S 1/1998 Wensley
- 5,781,950 A 7/1998 Swinden et al.
- 5,916,277 A 6/1999 Dallas
- 5,963,999 A 10/1999 Gardiner et al.
- 6,003,180 A 12/1999 Frazer
- 6,006,385 A 12/1999 Kershaw et al.
- 6,009,582 A 1/2000 Harrison et al.
- 6,023,805 A 2/2000 Lin
- 6,038,723 A 3/2000 Nabors et al.

**DESCRIPTION**

FIG. 1 is a perspective view of a handle of the claimed design.  
FIG. 2 is a right side view thereof.  
FIG. 3 is a left side view thereof.  
FIG. 4 is a front view thereof.  
FIG. 5 is a rear view thereof  
FIG. 6 is a top view thereof; and,  
FIG. 7 is a bottom view thereof.  
The broken line showing of the communication tool is included for the purpose of illustrating portions of the tool and forms no part of the claimed design.

**1 Claim, 3 Drawing Sheets**



# US D639,627 S

Page 2

## U.S. PATENT DOCUMENTS

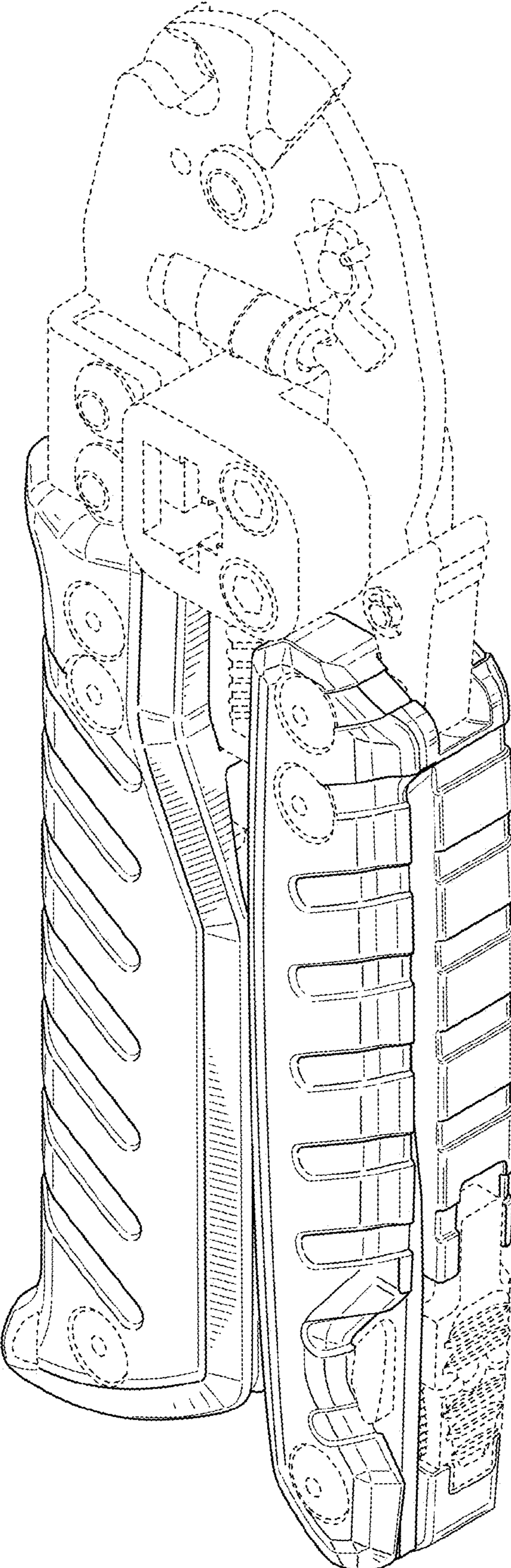
6,223,374 B1 5/2001 Lin  
D445,326 S 7/2001 Alfaro  
6,276,063 B1 8/2001 Chen  
6,282,996 B1 9/2001 Berg et al.  
6,305,041 B1 10/2001 Montague et al.  
6,341,423 B1 1/2002 Taggart et al.  
D454,044 S 3/2002 Alfaro  
6,405,395 B1 6/2002 Poehlmann et al.  
D467,783 S 12/2002 Onion  
6,487,941 B1 12/2002 Ping  
6,523,203 B2 2/2003 Harrison  
D472,433 S \* 4/2003 Richwine et al. .... D8/5  
6,594,906 B1 7/2003 Sakai et al.  
6,622,328 B2 9/2003 Rivera  
6,625,832 B2 9/2003 Montague et al.  
D480,940 S 10/2003 Dallas  
D480,941 S 10/2003 Dallas  
D481,289 S 10/2003 Dallas  
6,643,877 B1 11/2003 Amtenbrink et al.  
D486,716 S \* 2/2004 Levine et al. .... D8/107  
6,691,357 B2 2/2004 Rivera  
D488,700 S 4/2004 Montague  
6,721,984 B1 4/2004 Harrison  
D493,685 S 8/2004 Dallas  
D505,057 S 5/2005 Ralph  
D515,903 S 2/2006 Kelleghan  
7,000,323 B1 2/2006 Hatcher et al.  
7,028,591 B2 4/2006 Dallas et al.  
7,039,974 B2 5/2006 Berg  
7,063,435 B2 6/2006 Dallas et al.  
D532,662 S \* 11/2006 Chang ..... D8/52  
D532,672 S \* 11/2006 Steiner ..... D8/107  
7,150,210 B2 12/2006 Berg et al.

D535,171 S 1/2007 Ping  
D553,467 S 10/2007 Ryan  
D557,100 S 12/2007 Stokes et al.  
7,347,128 B2 3/2008 Rivera et al.  
7,363,669 B2 4/2008 Berg et al.  
D568,710 S 5/2008 Klecker et al.  
D571,181 S 6/2008 Klecker et al.  
D573,437 S 7/2008 Nenadic  
D573,865 S 7/2008 Klecker et al.  
D592,931 S 5/2009 Nenadic  
D597,811 S \* 8/2009 Yu ..... D8/52  
D600,527 S 9/2009 Nyssen et al.  
D600,528 S 9/2009 Nyssen et al.  
D628,036 S \* 11/2010 Steiner ..... D8/52  
2004/0003472 A1 1/2004 Dallas et al.

## OTHER PUBLICATIONS

U.S. Appl. No. 12/274,850, filed Nov. 20, 2008, Nason et al.  
Gerber MP700, printed from website www.swords24, available at least as early as Aug. 6, 2009, 1 page.  
Gerber MP800, printed from website www.gerbergear.com, available at least as early as Aug. 6, 2009, 1 page.  
Leatherman Wave®, printed from website www.leatherman.com, available at least as early as Aug. 6, 2009, 1 page.  
Skeletool® CX, printed from website www.leatherman.com, available at least as early as Aug. 6, 2009, 1 page.  
Freestyle™ CX, printed from website www.leatherman.com, available at least as early as Aug. 6, 2009, 1 page.  
SL™ Plier, Toollogic, Built for Life, printed from website www.toollogic.com, available at least as early as Aug. 6, 2009, 1 page.

\* cited by examiner



**FIG. 1**

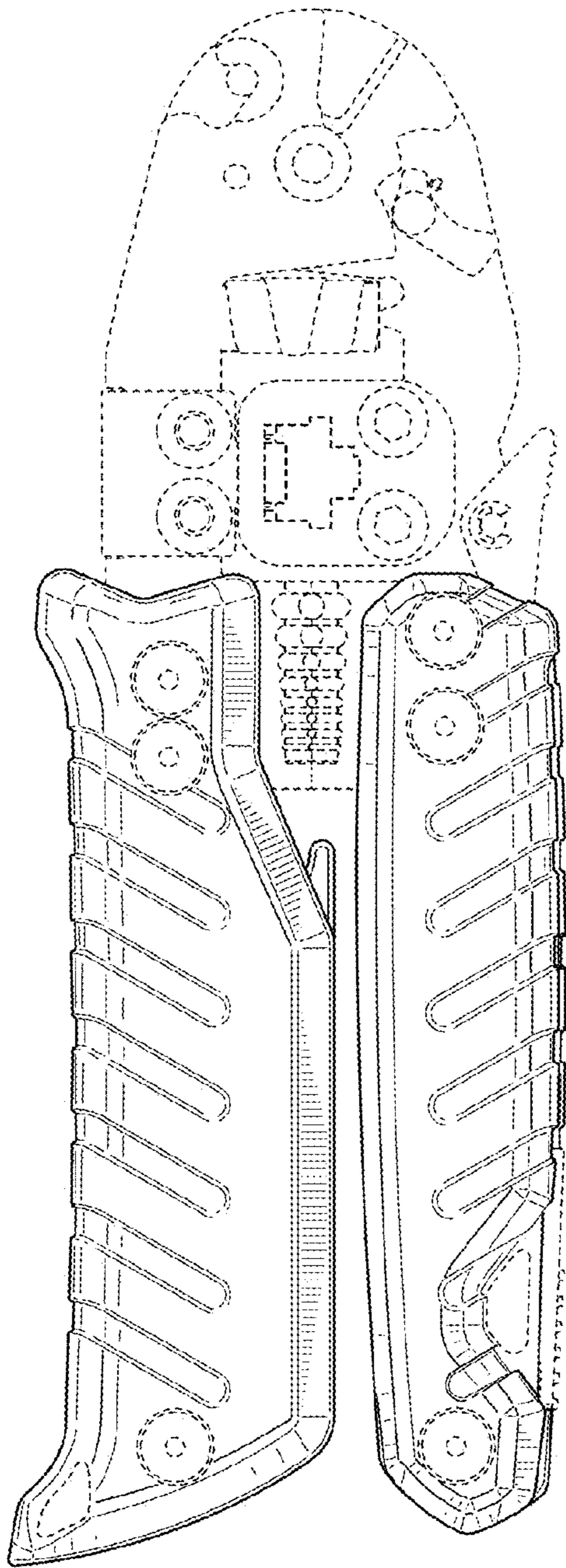


FIG. 2

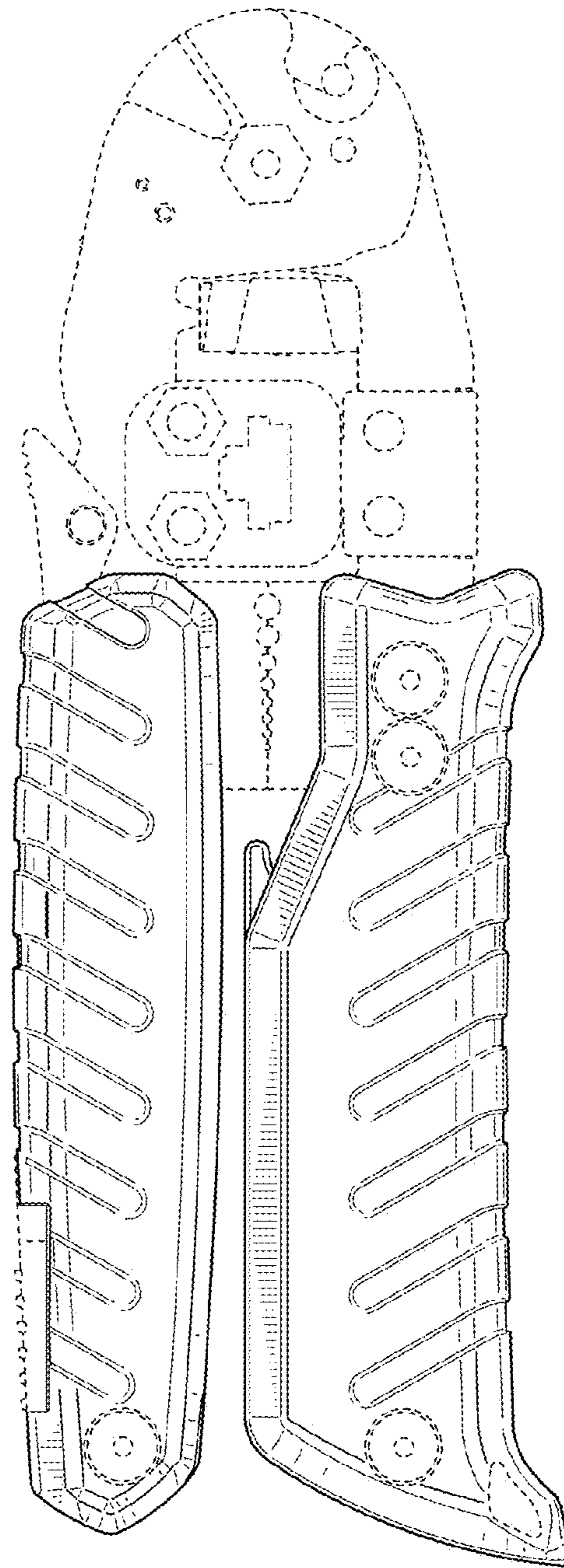


FIG. 3

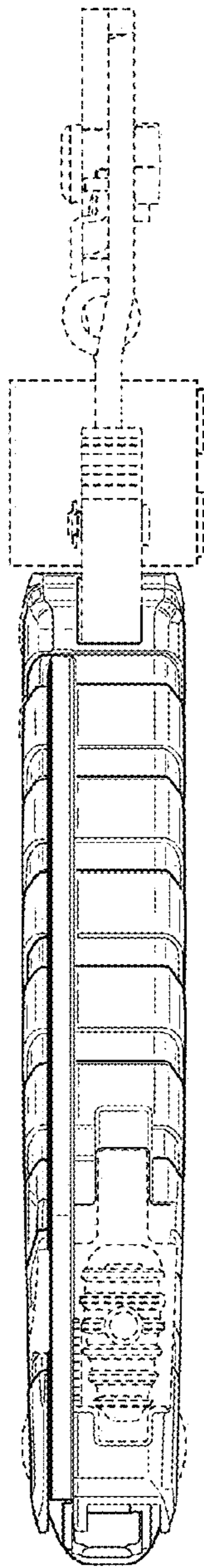


FIG. 4

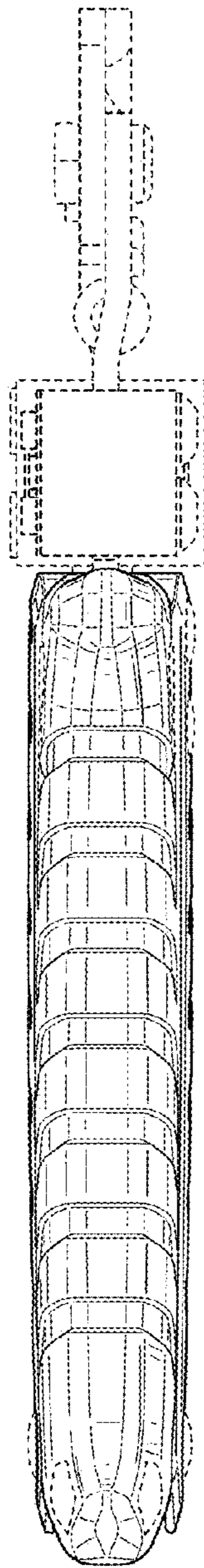


FIG. 5

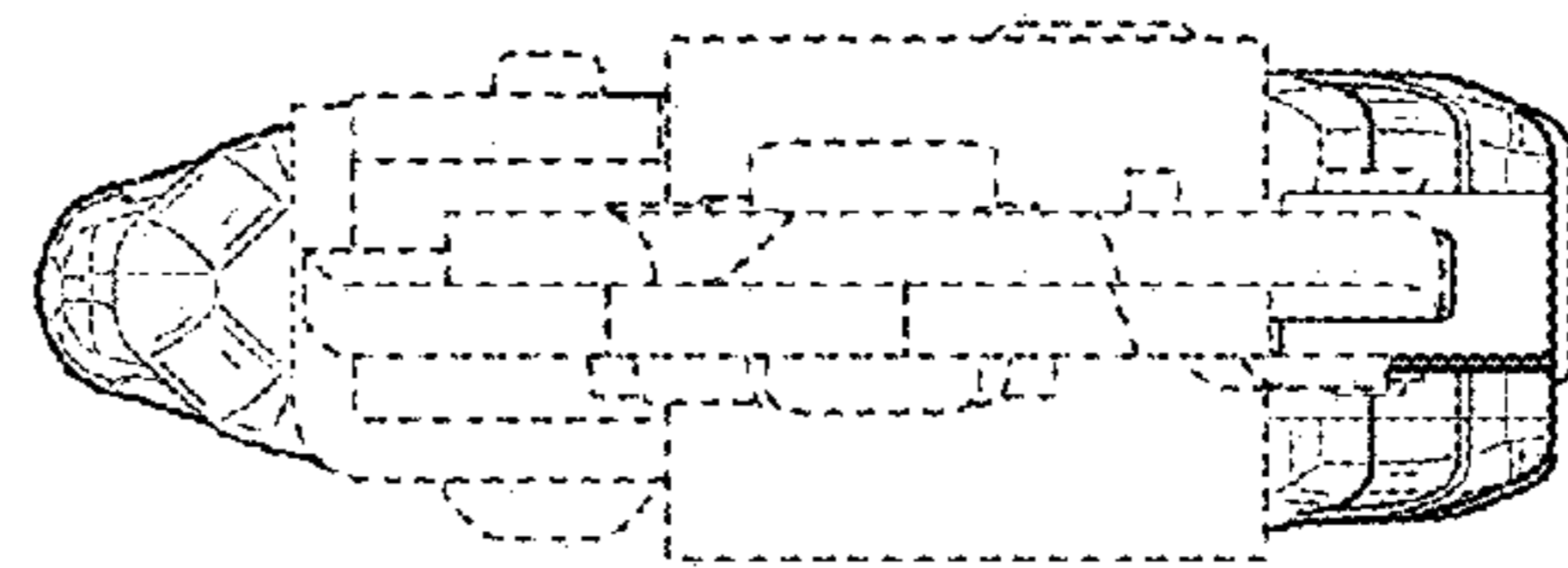


FIG. 6

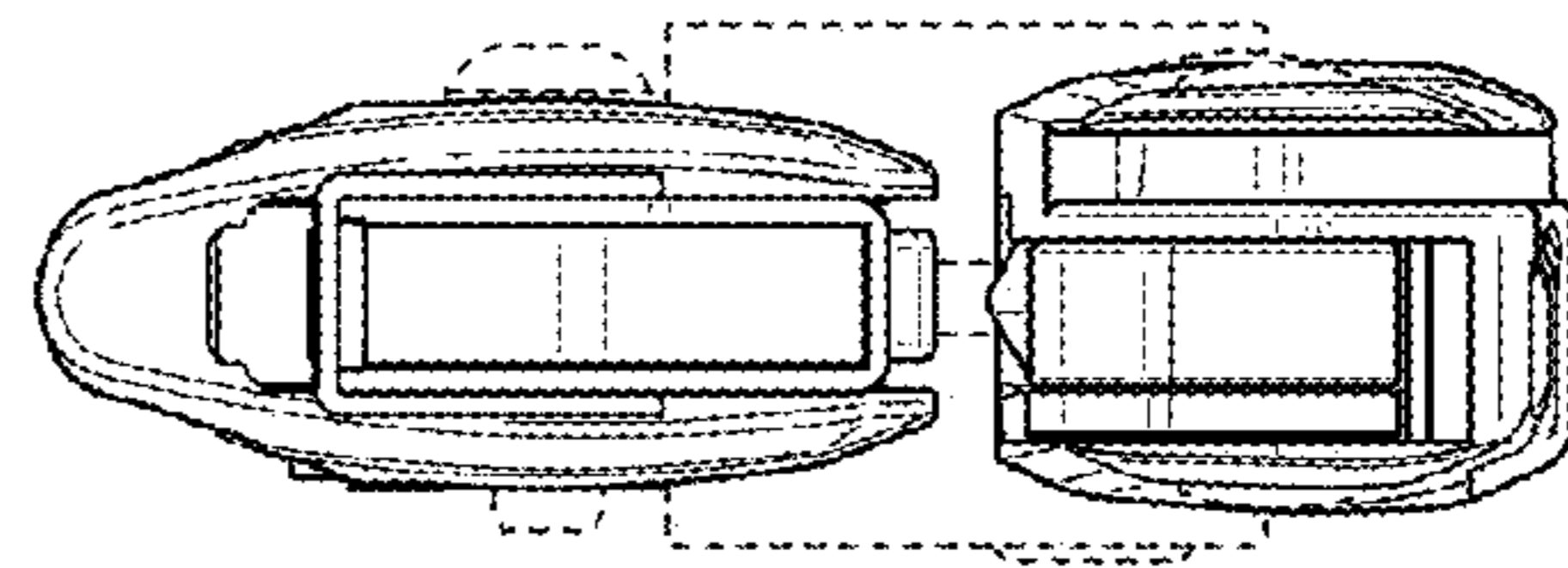


FIG. 7