



US00D639626S

(12) **United States Design Patent**
Gangakhedkar et al.

(10) **Patent No.:** **US D639,626 S**

(45) **Date of Patent:** **** Jun. 14, 2011**

(54) **L-HANDLE TIE DOWN**

(75) Inventors: **Dhananjay Gangakhedkar**, Twinsburg, OH (US); **Matt Romanak**, Garfield Hts., OH (US)

(73) Assignee: **Cequent Consumer Products, Inc.**, Solon, OH (US)

(**) Term: **14 Years**

(21) Appl. No.: **29/315,643**

(22) Filed: **Jul. 13, 2009**

(51) **LOC (9) Cl.** **08-05**

(52) **U.S. Cl.** **D8/44**

(58) **Field of Classification Search** D8/14,
D8/44; 24/68 CD, 68 R, 68 E; 254/217-220,
254/223, 247-248; 410/100

See application file for complete search history.

(56) **References Cited**

U.S. PATENT DOCUMENTS

3,844,317	A *	10/1974	Angarola et al.	140/93.2
4,227,286	A *	10/1980	Holmberg	24/68 CD
D328,840	S *	8/1992	Jensen	D8/44
5,426,826	A *	6/1995	Takimoto	24/68 CD
5,560,086	A *	10/1996	Huang	24/68 CD
6,654,987	B1 *	12/2003	Wu	24/68 CD
6,708,953	B1 *	3/2004	Chang	254/218
D572,100	S *	7/2008	Aganian	D8/44
D573,427	S *	7/2008	Selby	D8/44

D579,741	S *	11/2008	Selby	D8/44
7,448,596	B1 *	11/2008	Chang	254/223
7,651,072	B1 *	1/2010	Chang	254/218
2009/0279978	A1 *	11/2009	Polin et al.	410/100

OTHER PUBLICATIONS

Titan Max Grip Ratchet. Downloaded Jun. 6, 2010 at <http://highland.cequent-cpi.com/catalog.asp>.*

* cited by examiner

Primary Examiner — Philip S Hyder

Assistant Examiner — Roselynn Cody

(74) *Attorney, Agent, or Firm* — McDonald Hopkins LLC

(57) **CLAIM**

The ornamental design for an L-handle tie down, as shown and described.

DESCRIPTION

FIG. 1 is a front, left, top perspective view of a L-handle tie down showing our new design;

FIG. 2 is a front view thereof;

FIG. 3 is a rear view thereof;

FIG. 4 is a top view thereof;

FIG. 5 is a bottom view thereof;

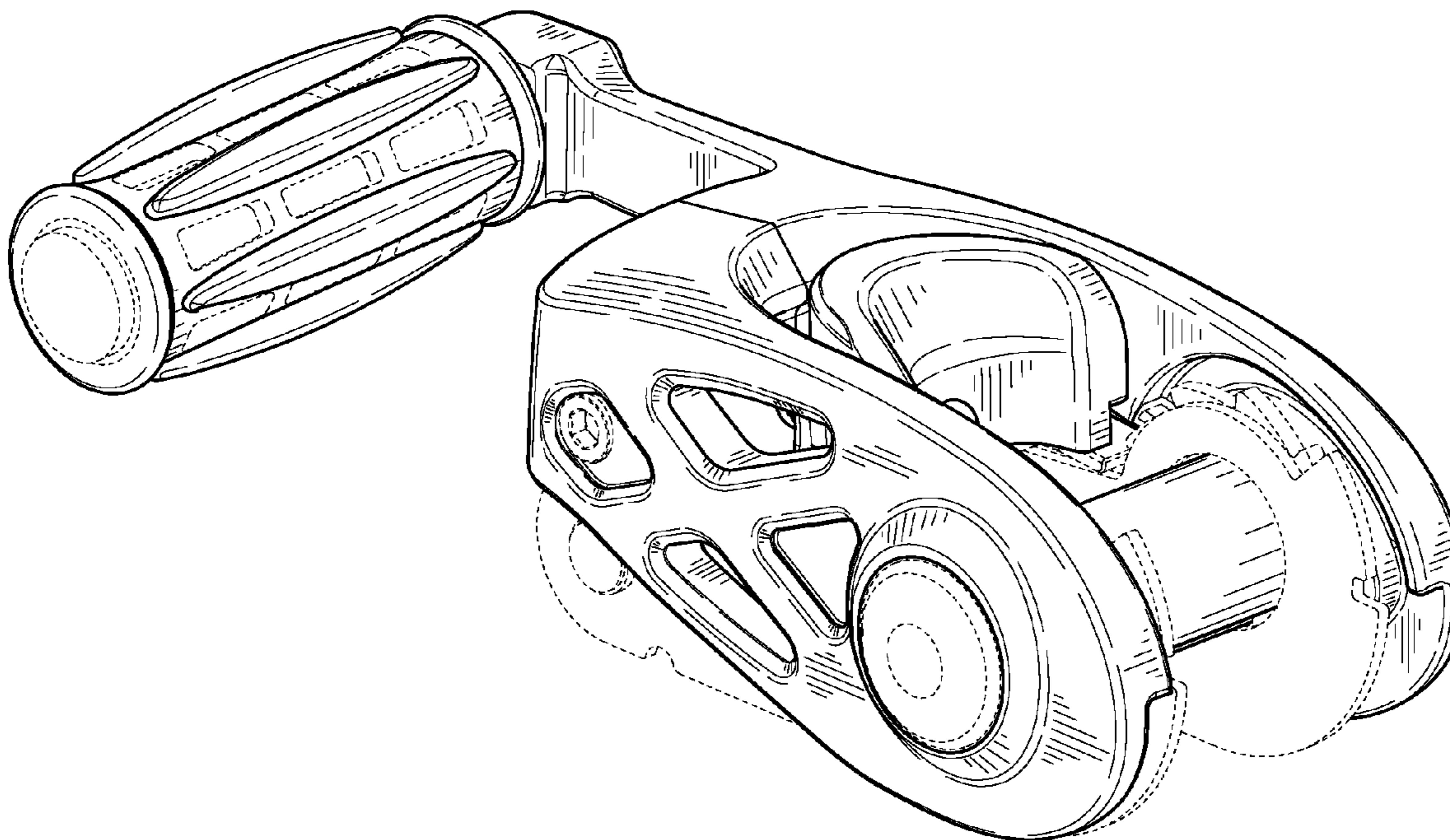
FIG. 6 is a left side view thereof;

FIG. 7 is a right side view thereof; and,

FIG. 8 is a bottom perspective view thereof.

The broken lines in the Figures are for illustrative purposes only and form no part of the claimed invention.

1 Claim, 8 Drawing Sheets



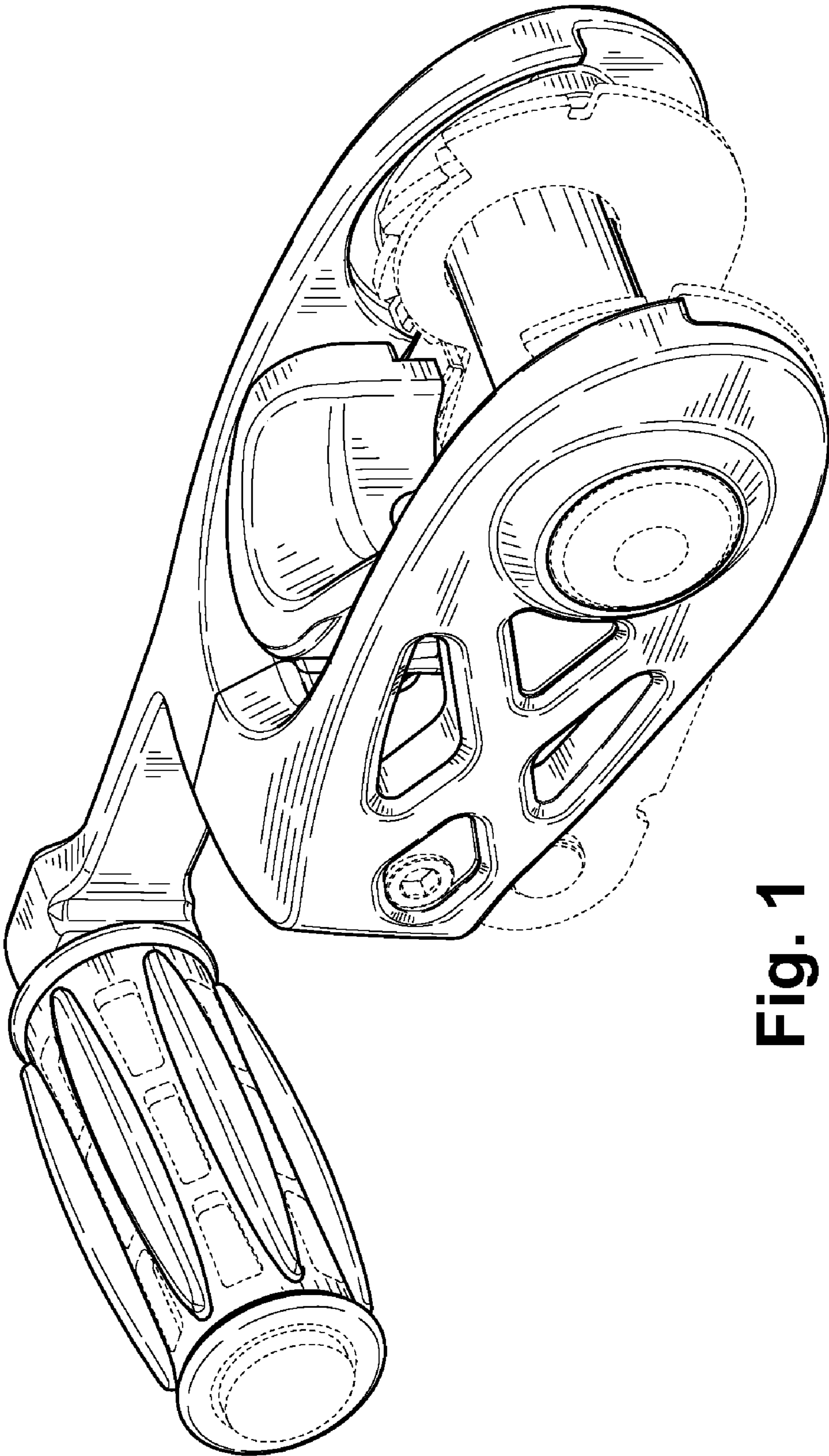


Fig. 1

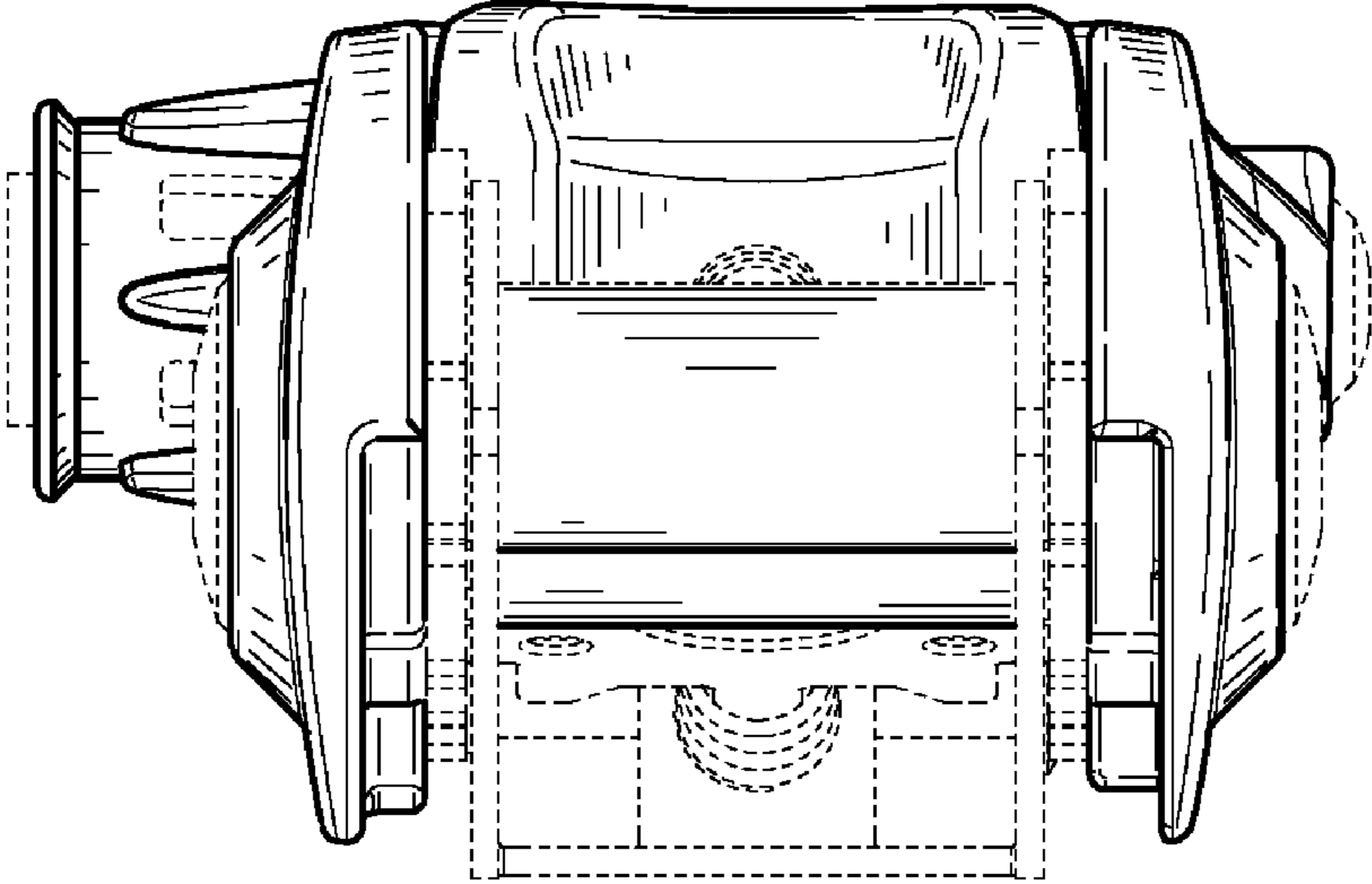


Fig. 2

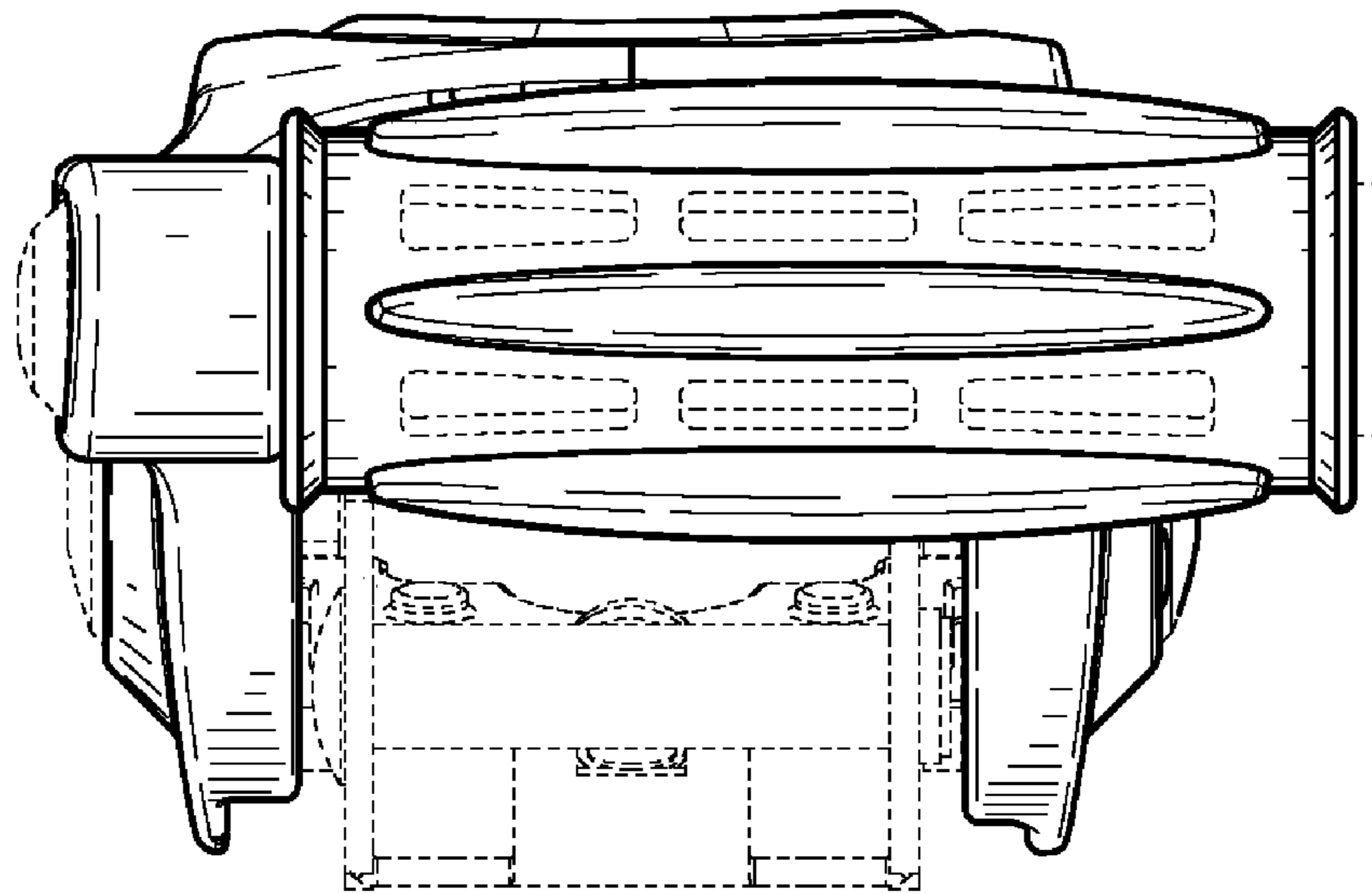


Fig. 3

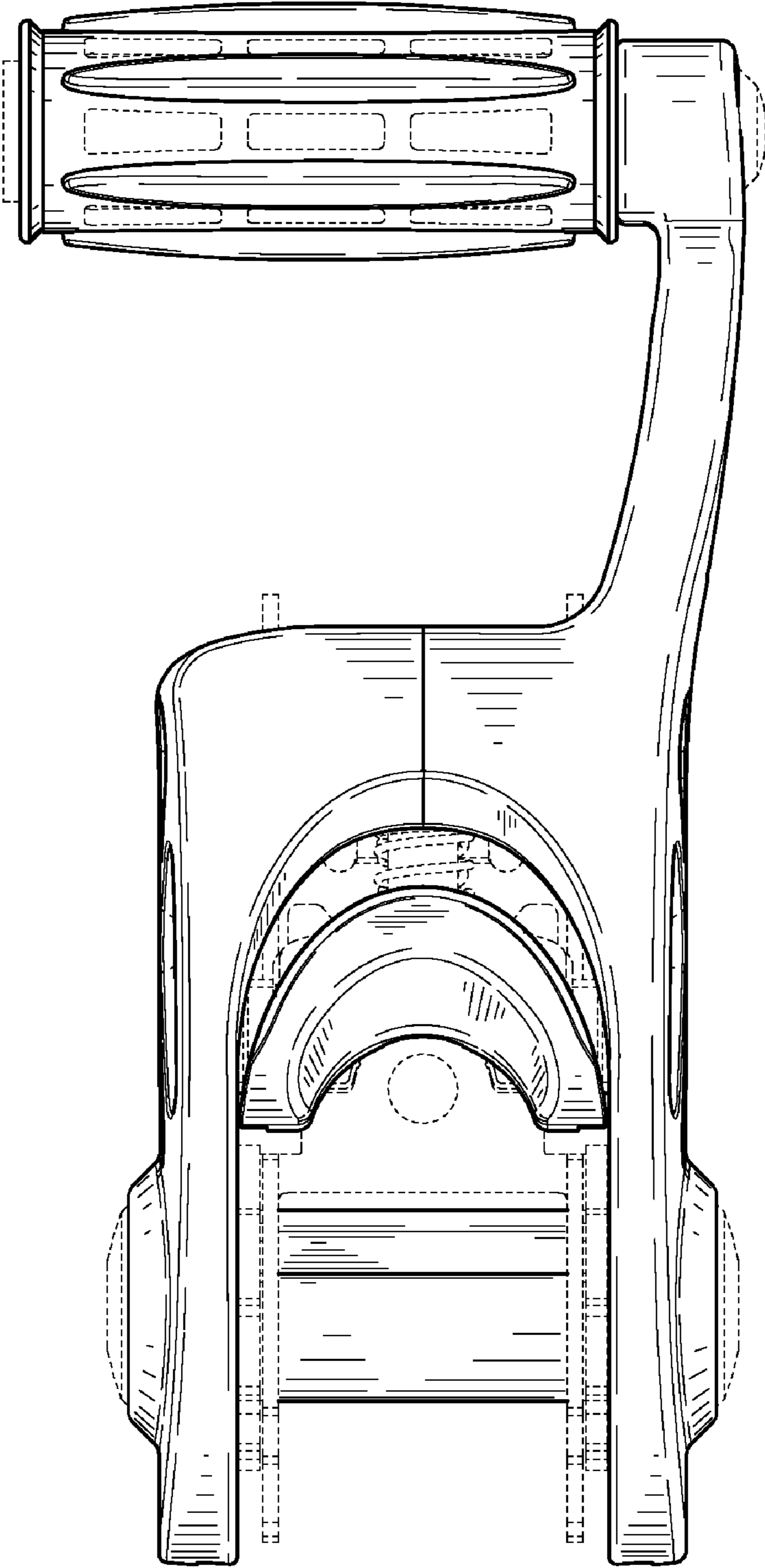


Fig. 4

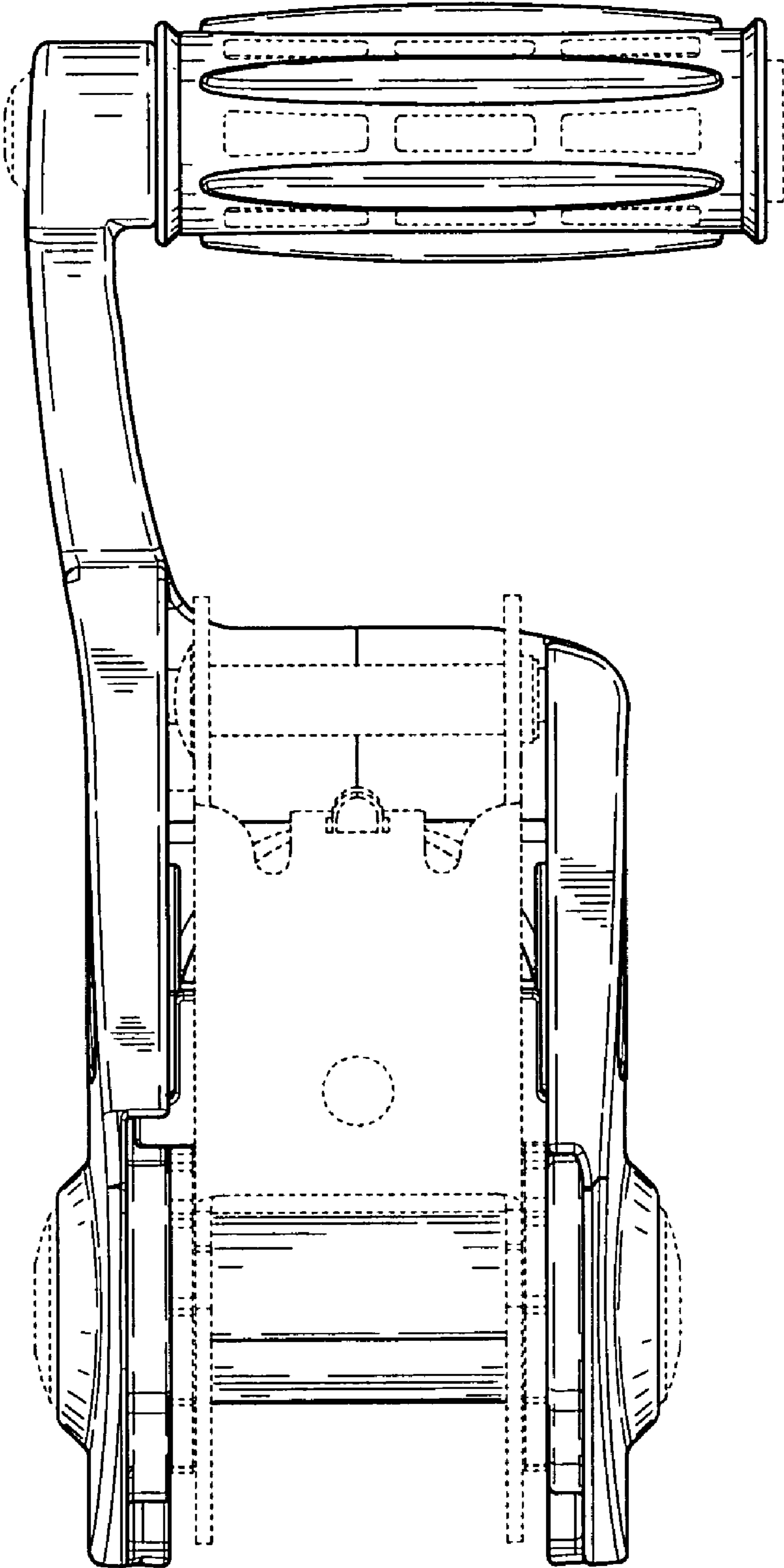


Fig. 5

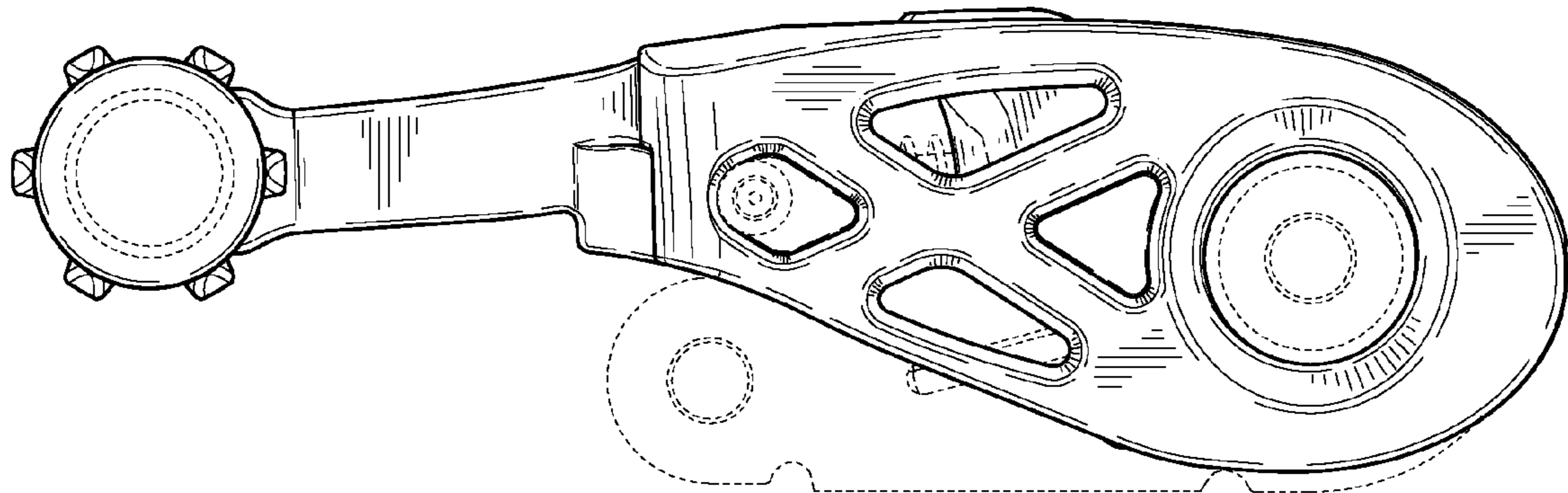


Fig. 6

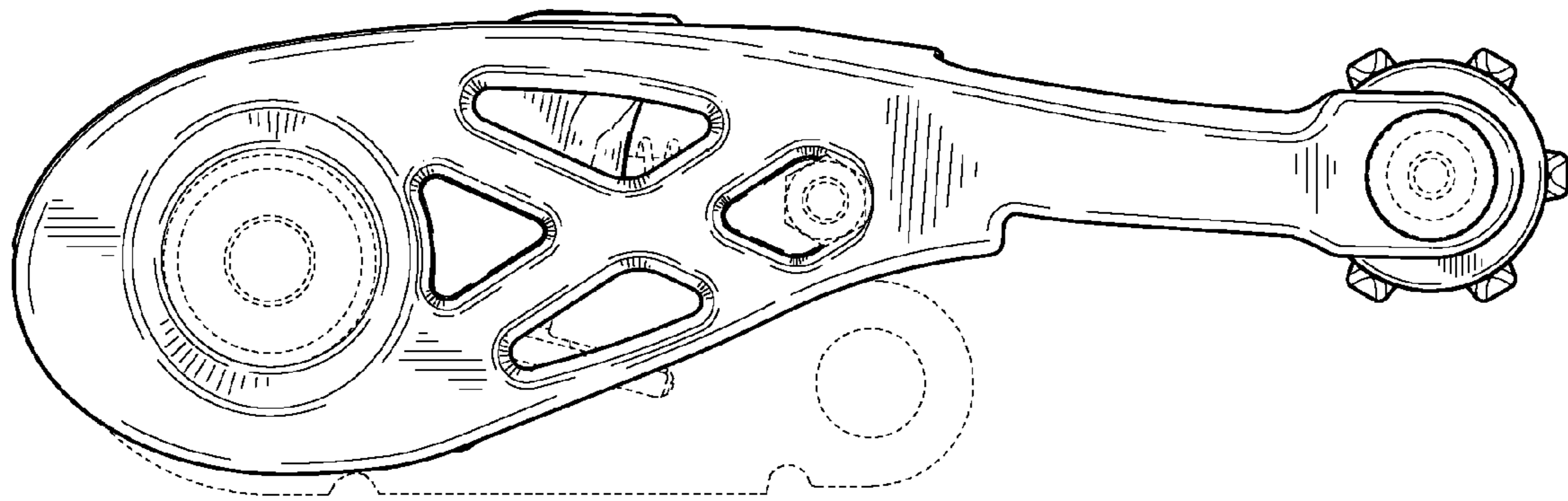


Fig. 7

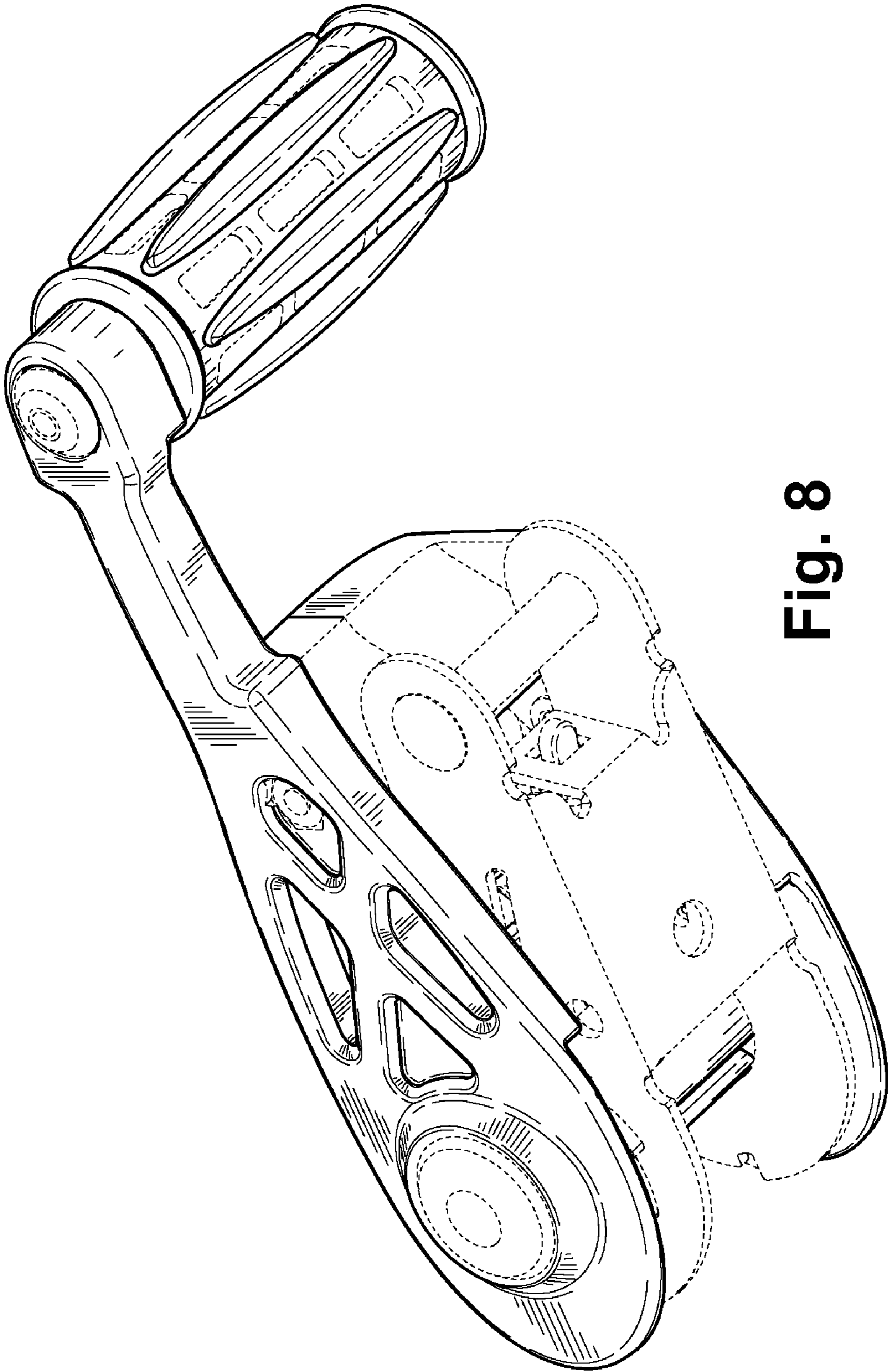


Fig. 8