



US00D639625S

(12) **United States Design Patent**
Chang

(10) **Patent No.:** **US D639,625 S**

(45) **Date of Patent:** **** Jun. 14, 2011**

(54) **FOLDABLE WRENCH**

(76) Inventor: **Chih-Min Chang**, Changhua County (TW)

(**) Term: **14 Years**

(21) Appl. No.: **29/381,647**

(22) Filed: **Dec. 21, 2010**

(51) **LOC (9) Cl.** **08-05**

(52) **U.S. Cl.** **D8/28**

(58) **Field of Classification Search** D8/17,
D8/21-29, 354, 107; 81/60, 177.1, 177.85,
81/121.1, 124.3, 165-170, 110.1, 176.2,
81/124.6, 176.1, 176.15, 177.2, 186; 16/110.1;
D15/144.1, 143; 219/75, 227, 229, 121.16,
219/121.18

See application file for complete search history.

(56) **References Cited**

U.S. PATENT DOCUMENTS

1,571,148	A *	1/1926	Sisolak	81/124.5
1,811,137	A *	6/1931	Kress	81/124.3
2,028,561	A *	1/1936	Pilger	81/177.9
2,628,522	A *	2/1953	Kraft	81/125.1
2,951,405	A *	9/1960	Engquist	81/440
5,492,040	A *	2/1996	Bellas	81/125.1

D506,373	S *	6/2005	Hsien	D8/28
D551,525	S *	9/2007	Desbrunes	D8/28
D601,871	S *	10/2009	Murray	D8/28
2010/0058896	A1 *	3/2010	Abel et al.	81/60

* cited by examiner

Primary Examiner — Raphael Barkai

Assistant Examiner — Randall Gholson

(74) *Attorney, Agent, or Firm* — Browdy and Neimark, P.L.L.C.

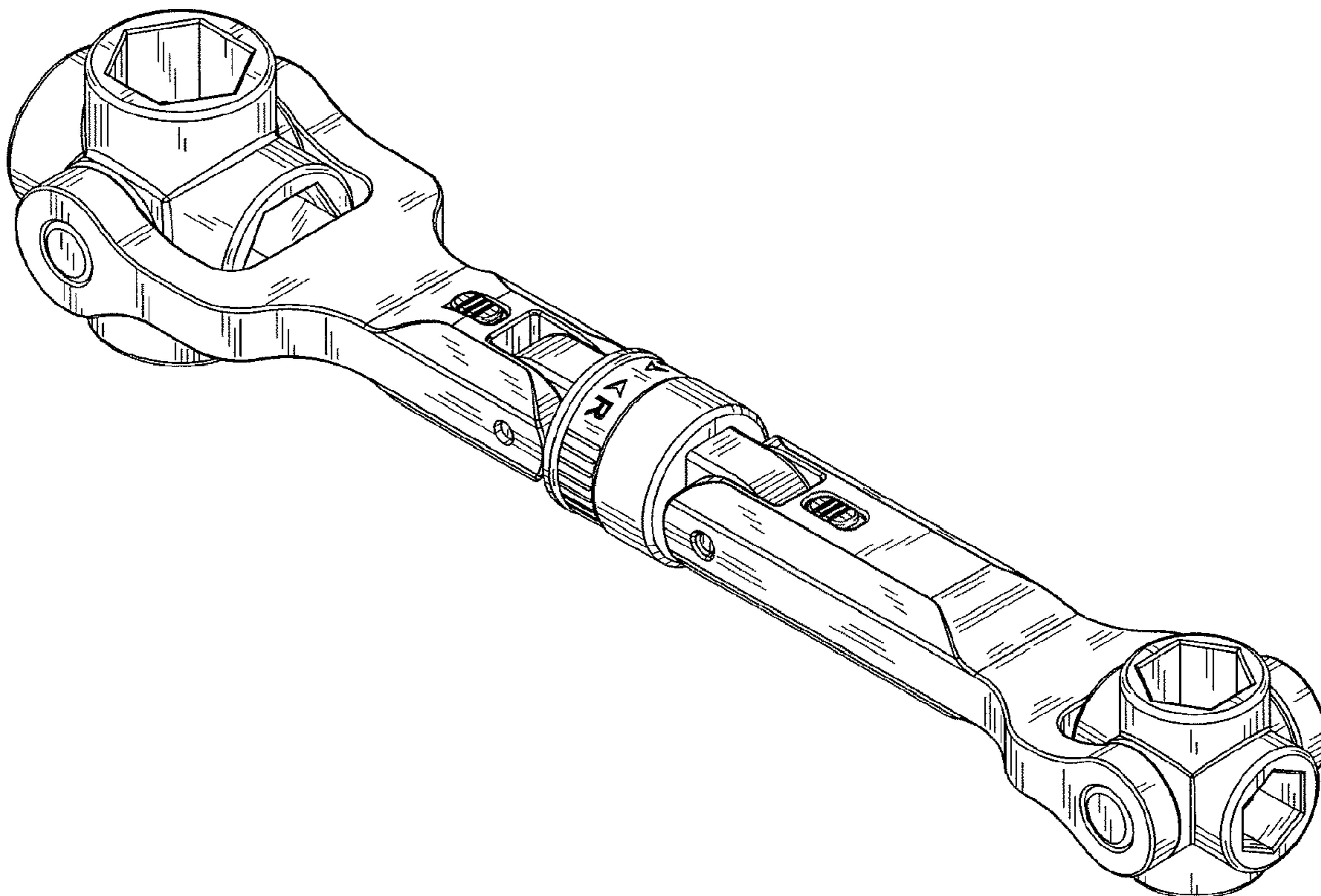
(57) **CLAIM**

The ornamental design for a foldable wrench, as shown and described.

DESCRIPTION

FIG. 1 shows a perspective view of the present design.
 FIG. 2 shows a front elevational view of the present design.
 FIG. 3 shows a rear elevational view of the present design.
 FIG. 4 shows a left side elevational view of the present design.
 FIG. 5 shows a right side elevational view of the present design.
 FIG. 6 shows a top plan view of the present design.
 FIG. 7 shows a bottom plan view of the present design; and,
 FIG. 8 is a perspective view, showing that the handle of the foldable wrench of the present design is folded.

1 Claim, 5 Drawing Sheets



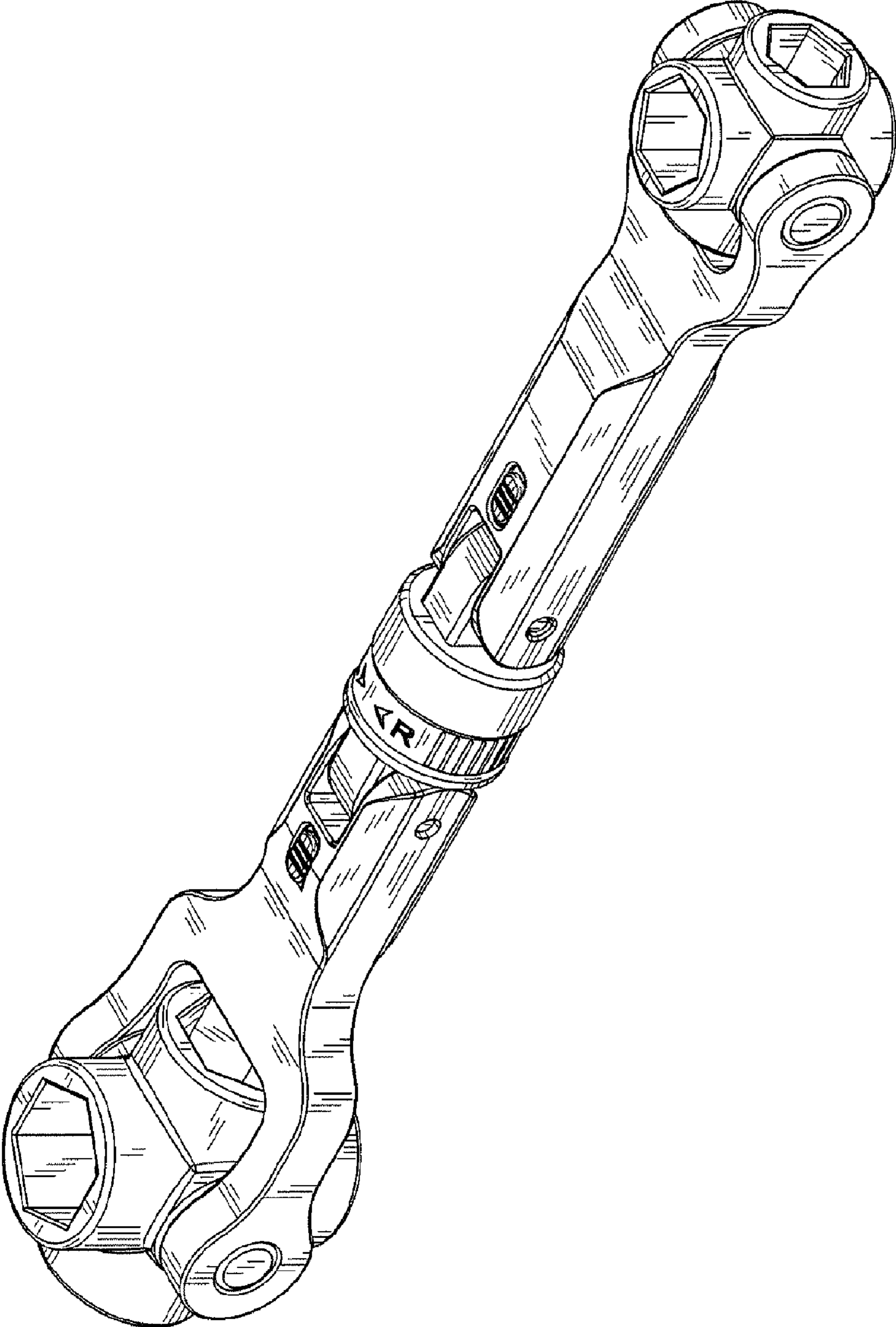


FIG. 1

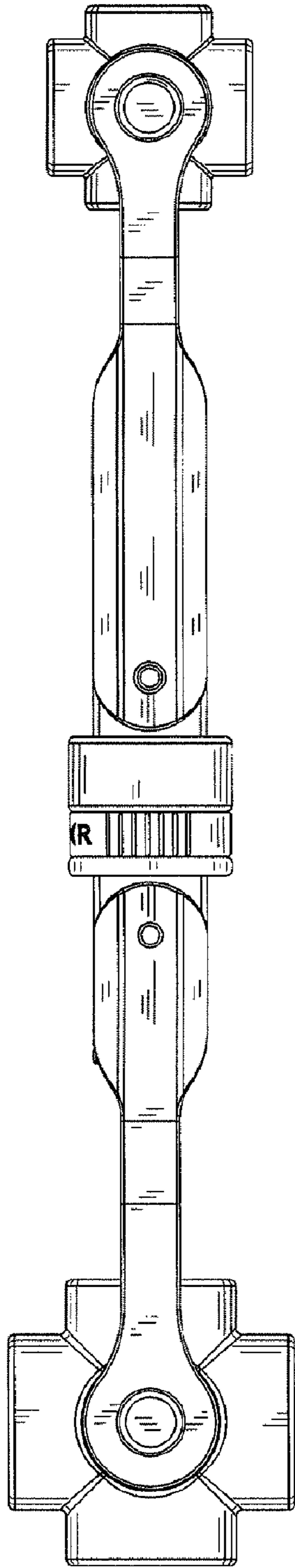


FIG. 2

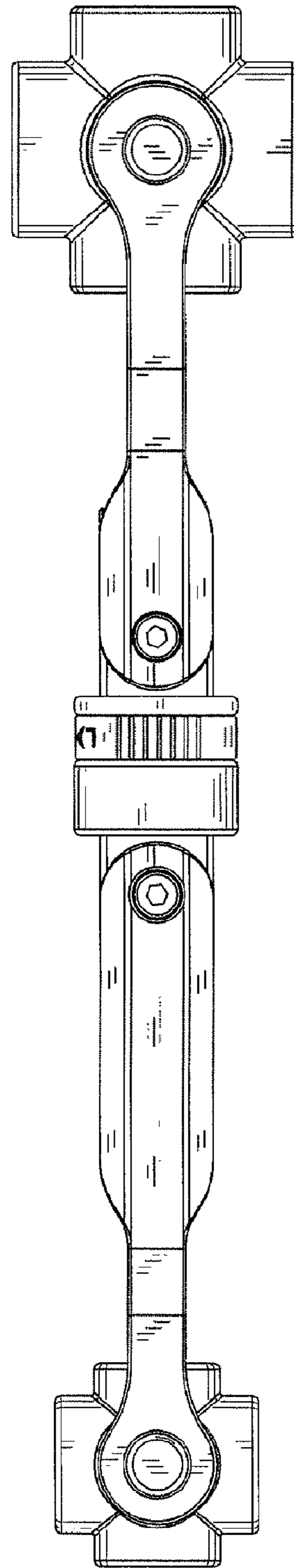


FIG. 3

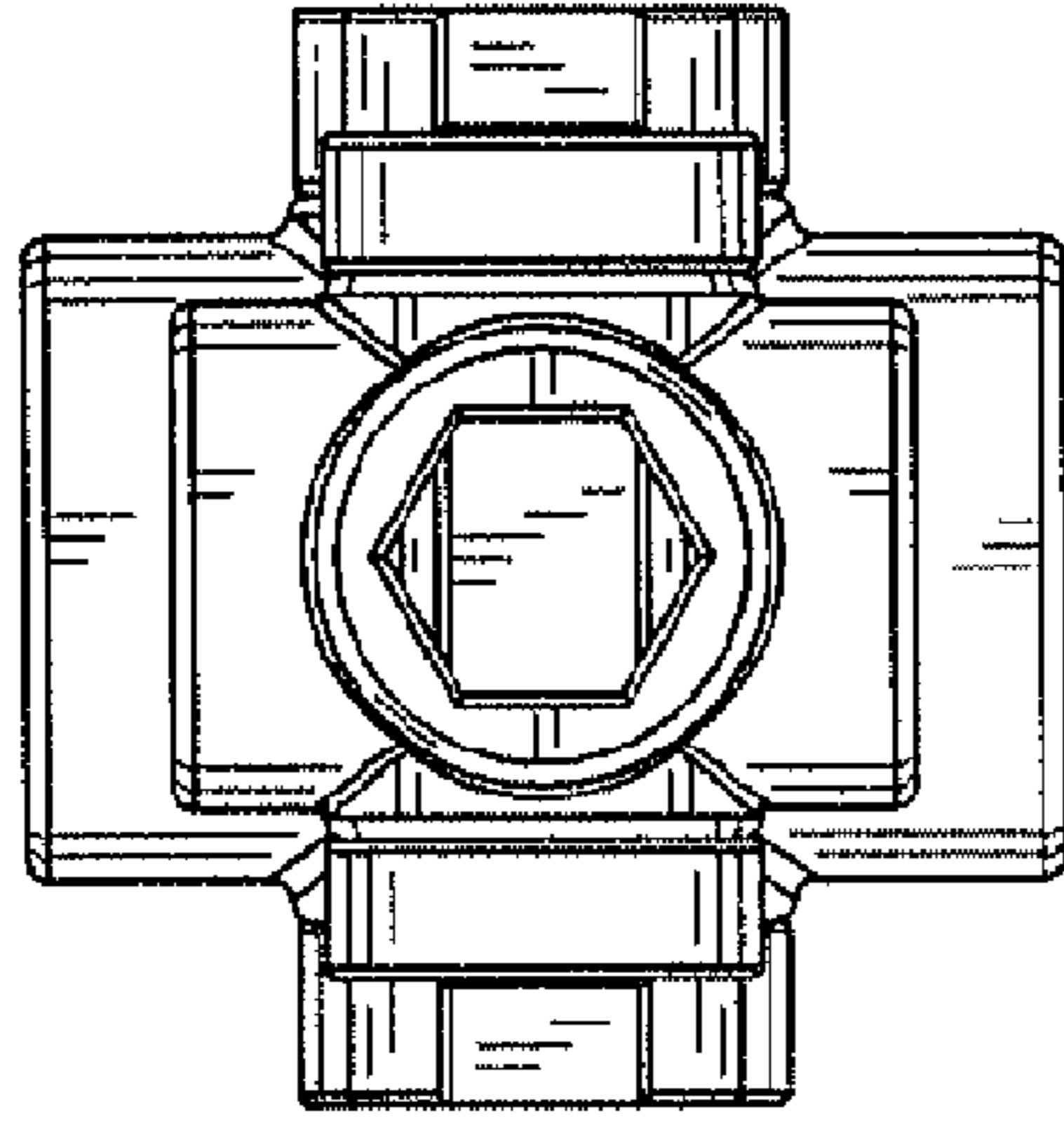


FIG. 5

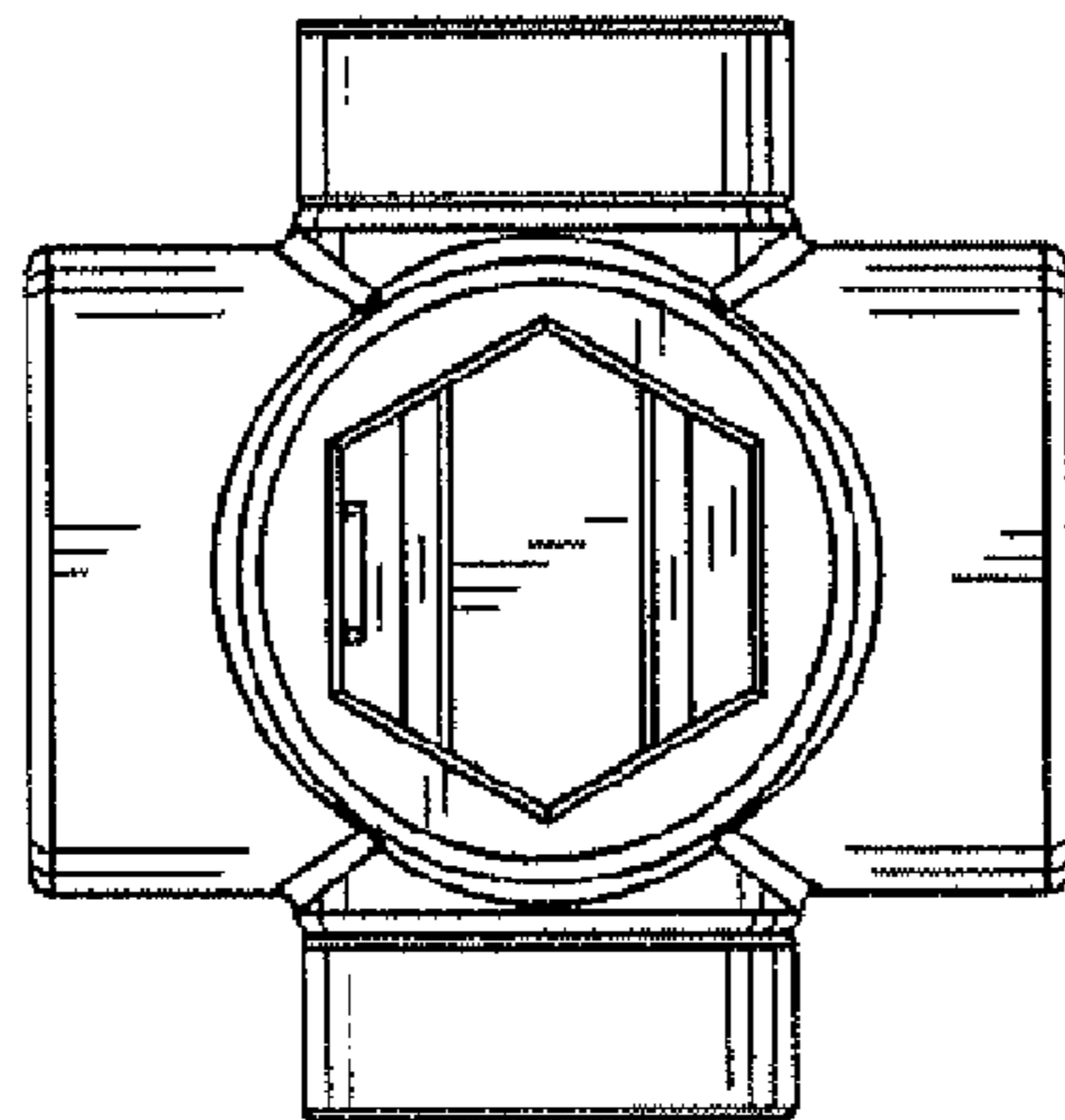


FIG. 4

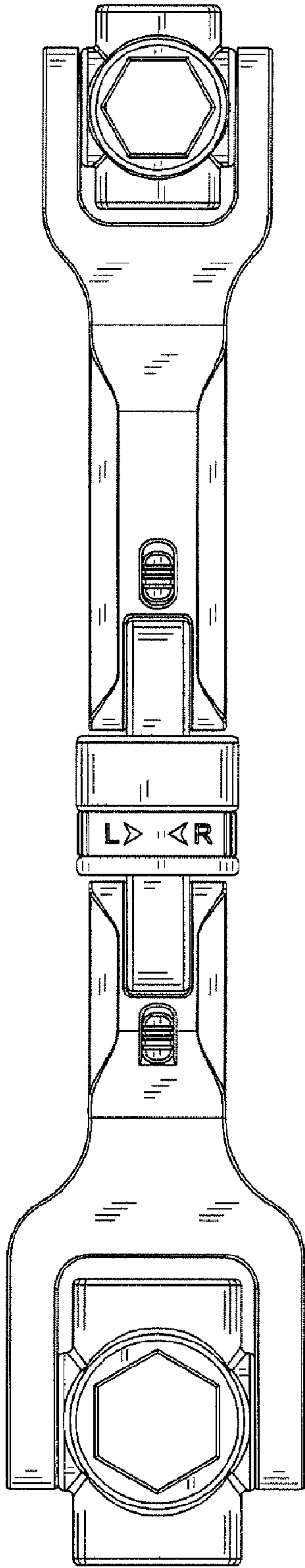


FIG. 6

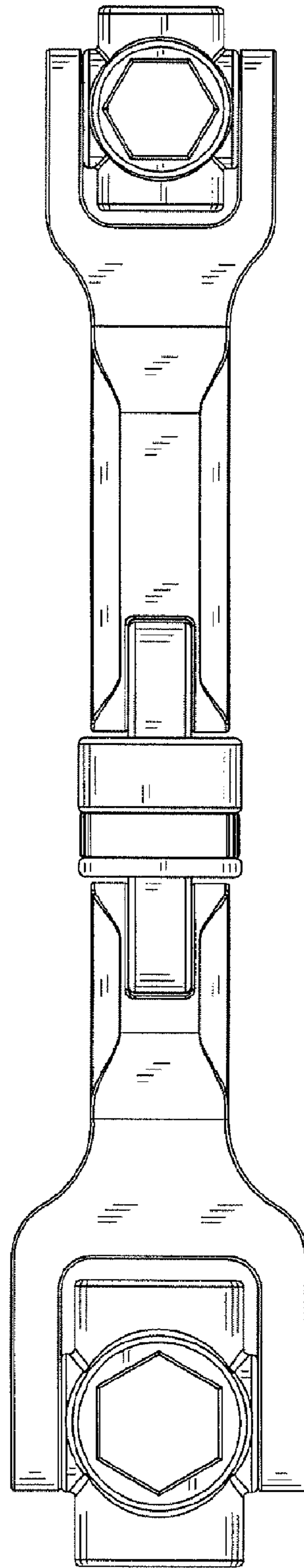


FIG. 7

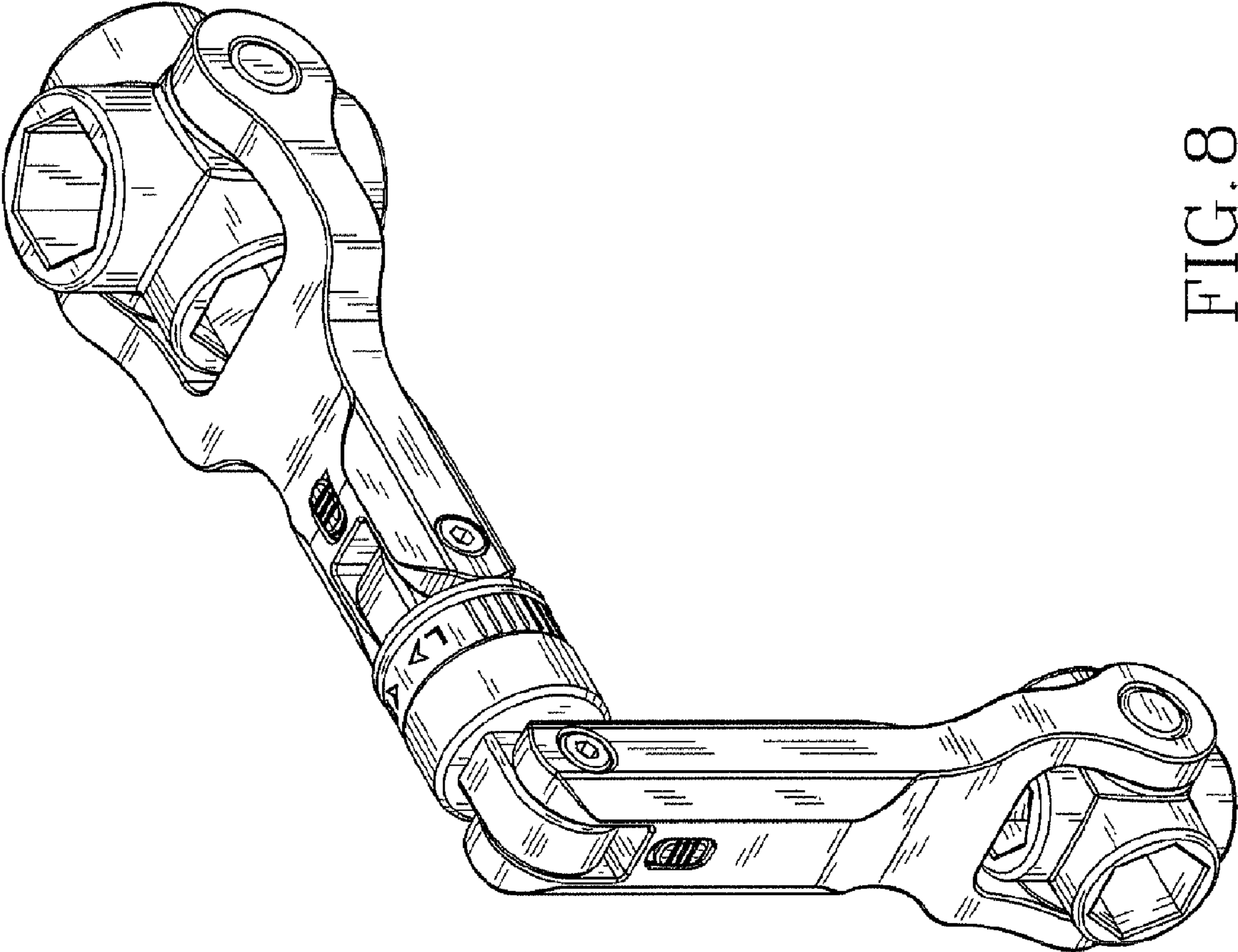


FIG. 8