



US00D639624S

(12) **United States Design Patent**
Murray et al.

(10) **Patent No.:** **US D639,624 S**
(45) **Date of Patent:** **** *Jun. 14, 2011**

- (54) **WRENCH**
- (75) Inventors: **Thomas Murray**, Baltimore, MD (US);
Jon Salerno, New Boston, NH (US)
- (73) Assignee: **Black & Decker Inc.**, Newark, DE (US)
- (**) Term: **14 Years**
- (21) Appl. No.: **29/368,940**
- (22) Filed: **Aug. 31, 2010**

- 6,769,330 B2 8/2004 Chang
- 6,862,956 B1 3/2005 Chen
- 6,868,759 B2 3/2005 Tuan-Mu
- 6,918,323 B2 7/2005 Arnold et al.
- 6,971,286 B2 12/2005 Hu
- 7,032,478 B2 4/2006 Hu
- 7,082,860 B2 8/2006 Shu-Sui et al.
- 7,185,566 B2 3/2007 Arnold et al.
- 7,231,851 B2 6/2007 Tuan-Mu
- 7,237,460 B2 7/2007 Hu

(Continued)

Related U.S. Application Data

- (63) Continuation of application No. 29/357,626, filed on Mar. 15, 2010, now Pat. No. Des. 622,566.
- (51) **LOC (9) Cl.** **08-05**
- (52) **U.S. Cl.** **D8/28**
- (58) **Field of Classification Search** D8/17,
D8/21-29, 354, 107; 81/60, 177.1, 177.85,
81/121.1, 124.3, 165-170, 110.1, 176.2,
81/124.6, 176.1, 176.15, 177.2, 186; 16/110.1;
D15/144.1, 143; 219/75, 227, 229, 121.16,
219/121.18
See application file for complete search history.

References Cited

U.S. PATENT DOCUMENTS

- 1,571,148 A * 1/1926 Sisolak D8/28
- 1,811,137 A * 6/1931 Kress 81/124.3
- 2,491,623 A 12/1949 Sesak
- 2,500,835 A * 3/1950 Lang 81/61
- 5,568,751 A 10/1996 Lee
- 6,125,725 A 10/2000 Fox et al.
- 6,282,992 B1 9/2001 Hu
- 6,453,779 B2 9/2002 Hu
- 6,626,067 B1 9/2003 Iwinski et al.
- 6,629,477 B2 10/2003 Ling et al.
- 6,722,234 B2 4/2004 Hu
- D492,556 S * 7/2004 Barry et al. D8/25

FOREIGN PATENT DOCUMENTS

DE 202006019735 U1 3/2007

Primary Examiner — Raphael Barkai

Assistant Examiner — Randall Gholson

(74) *Attorney, Agent, or Firm* — Harness, Dickey & Pierce, P.L.C.

CLAIM

(57) The ornamental design for a wrench, as shown and described.

DESCRIPTION

FIG. 1 is a perspective view of a wrench according to the invention illustrating the top, rear and right sides of the wrench;

FIG. 2 is a perspective view of the wrench of FIG. 1;

FIG. 3 is a side side elevation view of the wrench of FIG. 1;

FIG. 4 is a left side elevation view of the wrench of FIG. 1;

FIG. 5 is a top plan view of the wrench of FIG. 1

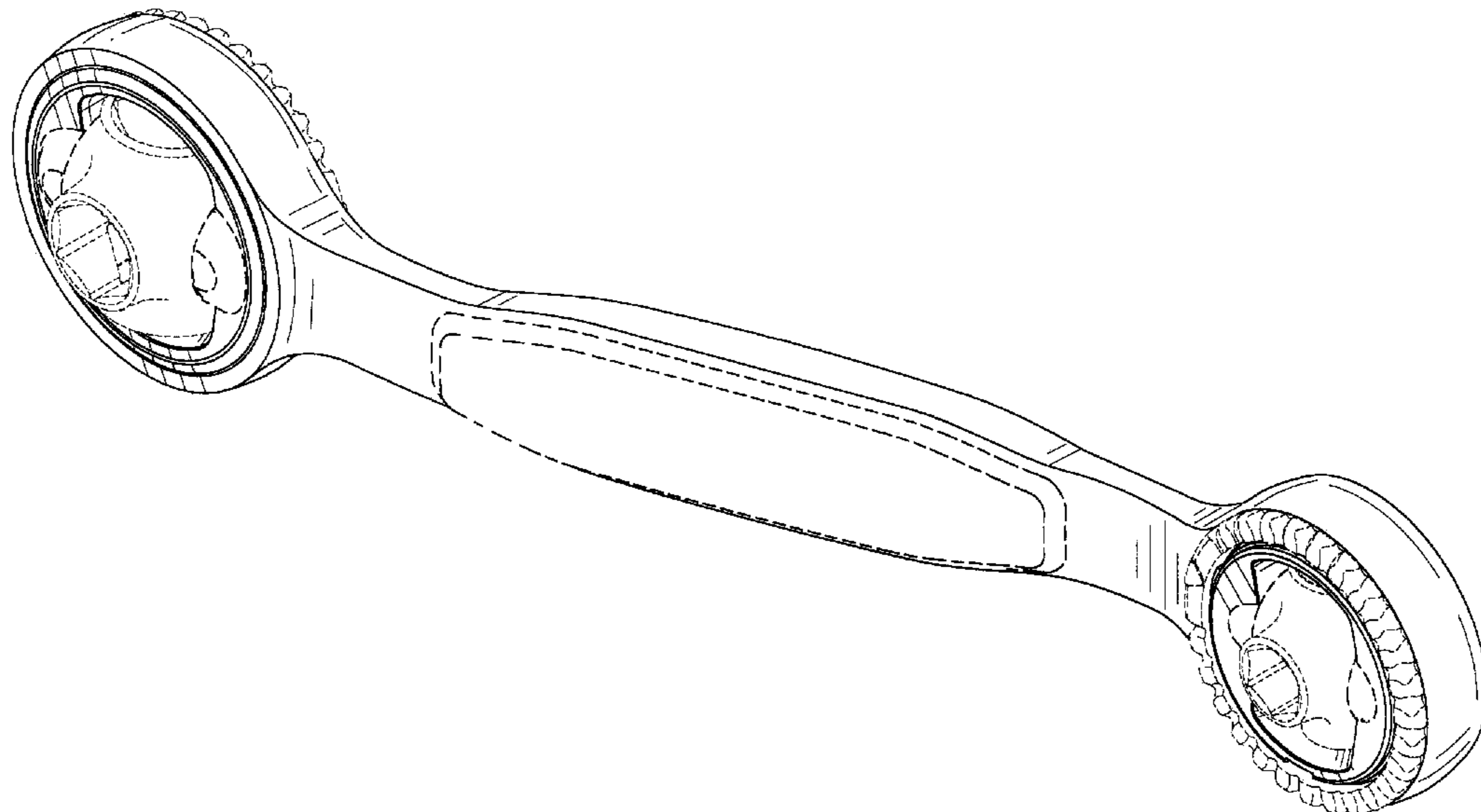
FIG. 6 is a bottom plan view of the wrench of FIG. 1;

FIG. 7 is a front elevation view of the wrench of FIG. 1; and,

FIG. 8 is a section view of the wrench taken along the line 8—8 of FIG. 7.

The broken lines shown on the drawings are included for the purpose of illustration only and form no part of the claimed design.

1 Claim, 6 Drawing Sheets



US D639,624 S

Page 2

U.S. PATENT DOCUMENTS

D551,525	S	9/2007	Desbrunes	7,444,904	B2	11/2008	Huang
7,267,033	B1	9/2007	Lai	7,523,688	B2	4/2009	Putney et al.
7,299,720	B1	11/2007	Schultz et al.	D601,871	S	10/2009	Murray
7,311,022	B2	12/2007	Putney et al.	2007/0107560	A1	5/2007	Chiang
7,444,902	B1	11/2008	Lin et al.	2011/0017024	A1	1/2011	Kriz

* cited by examiner

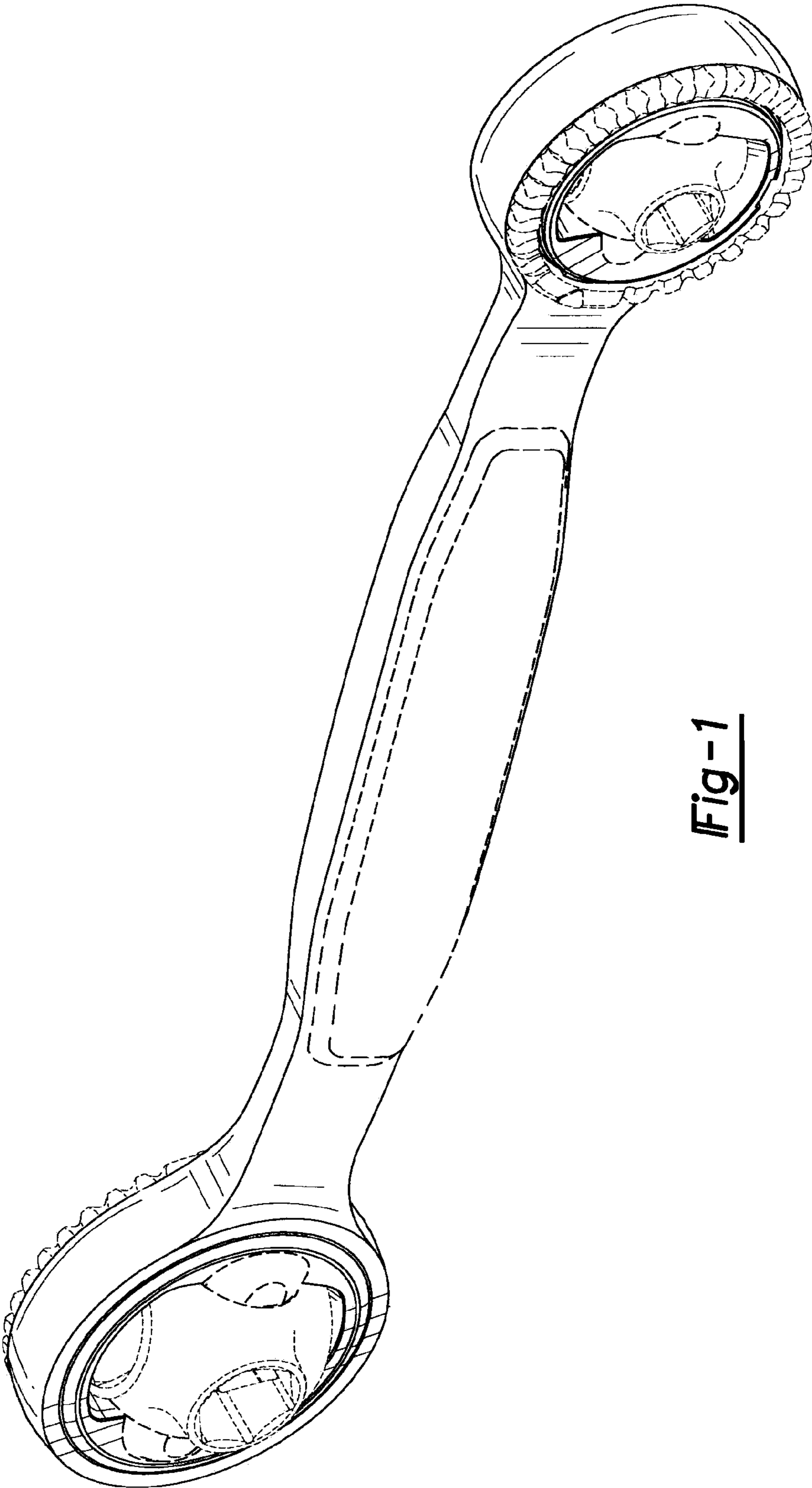


Fig-1

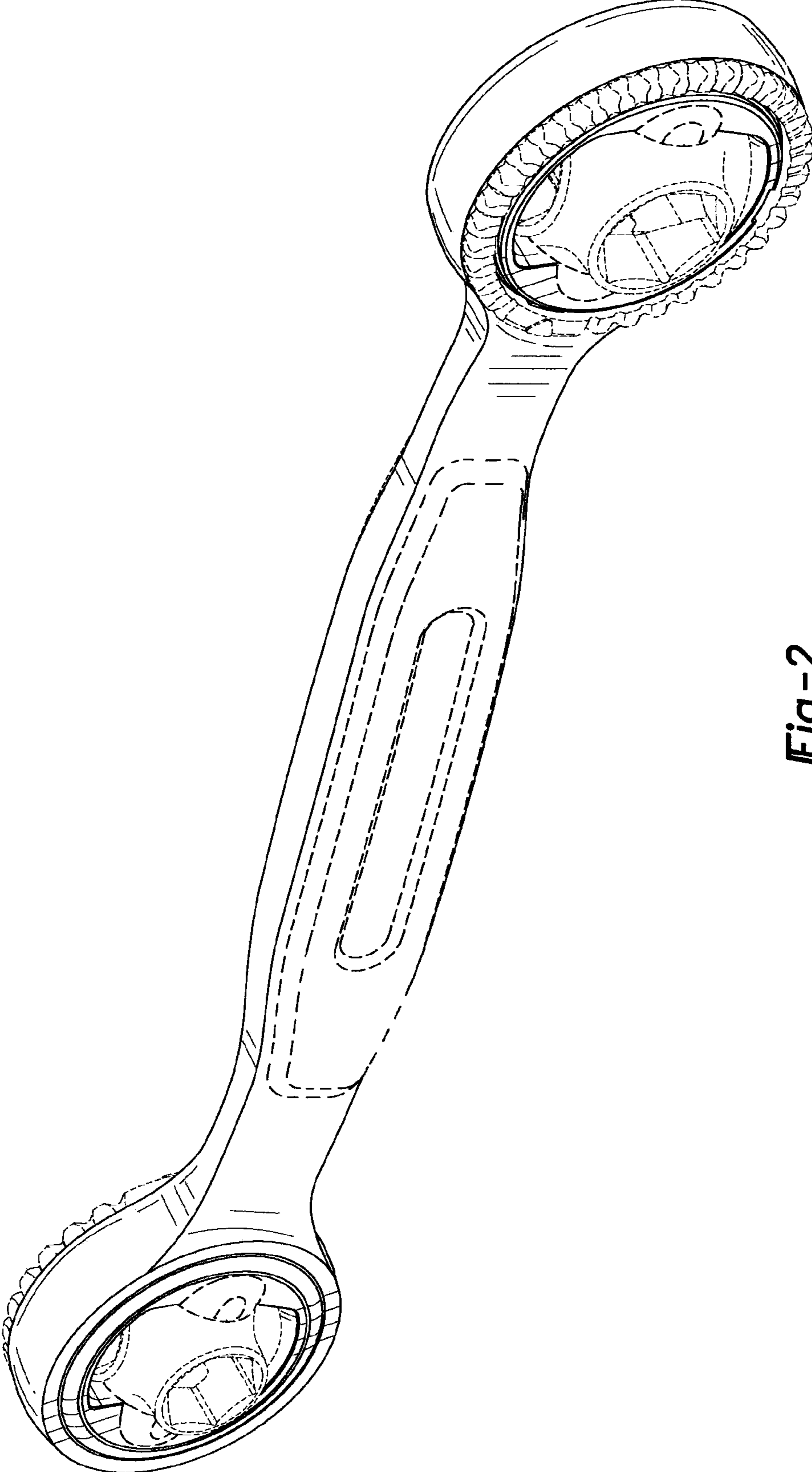


Fig-2

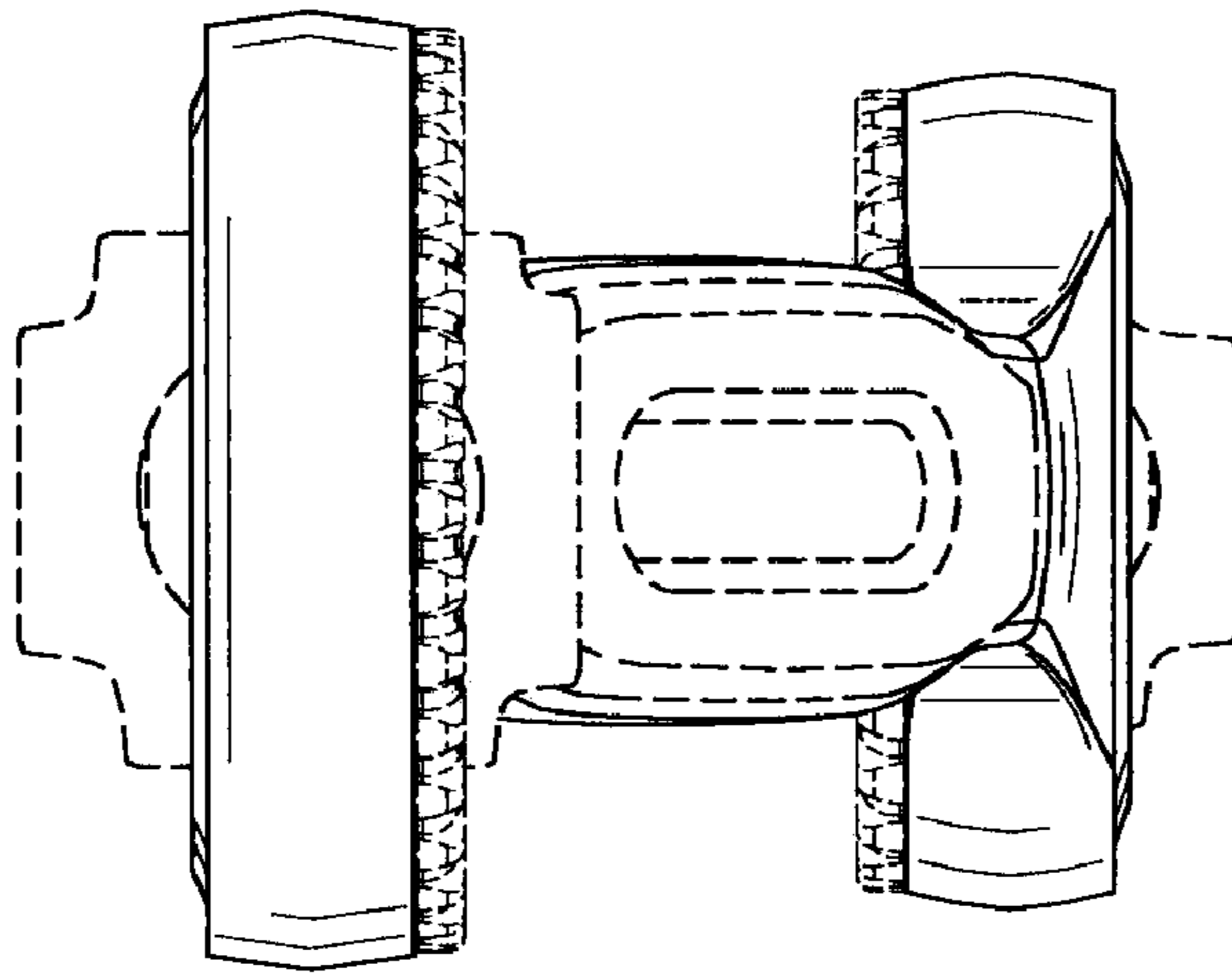


Fig-4

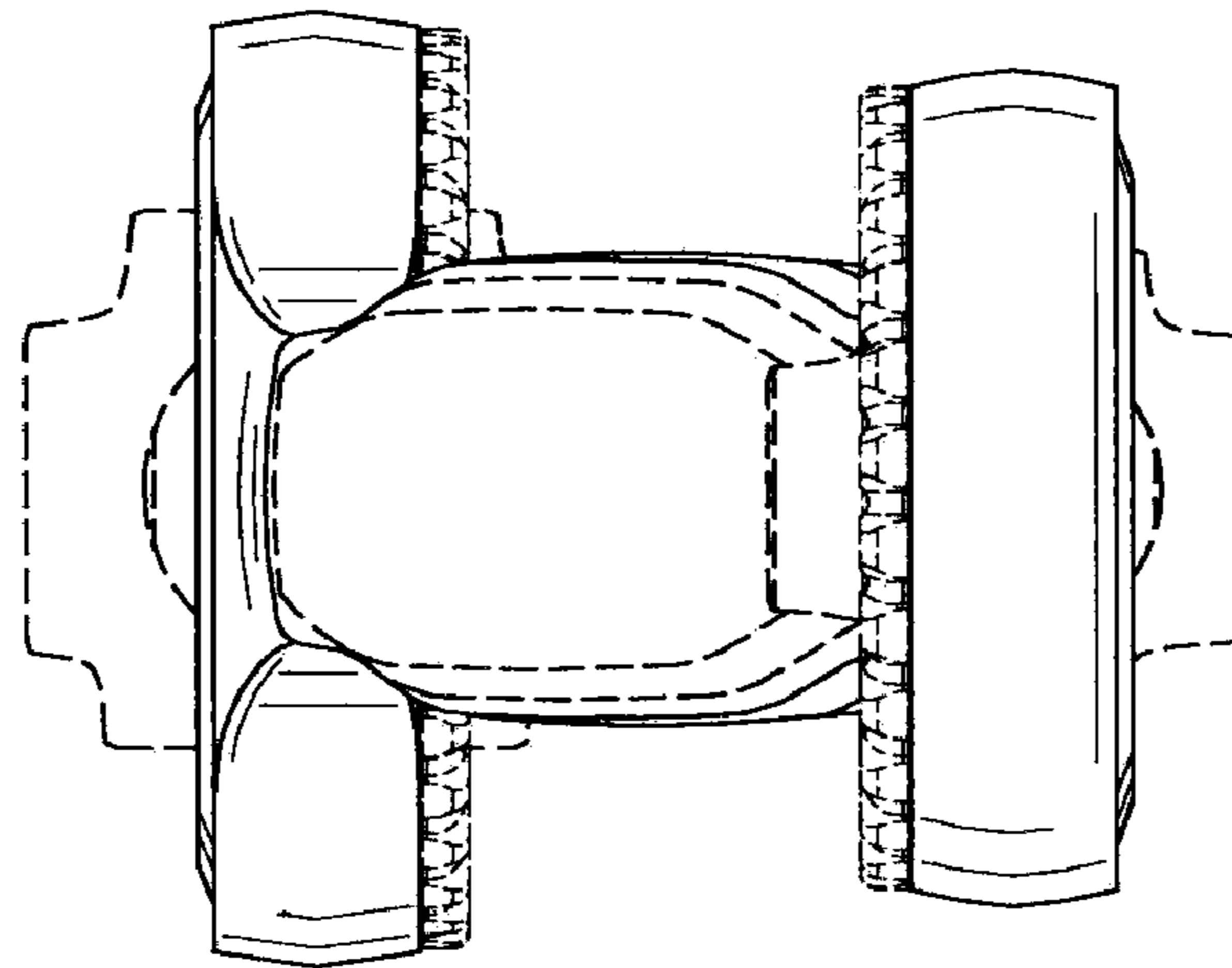


Fig-3

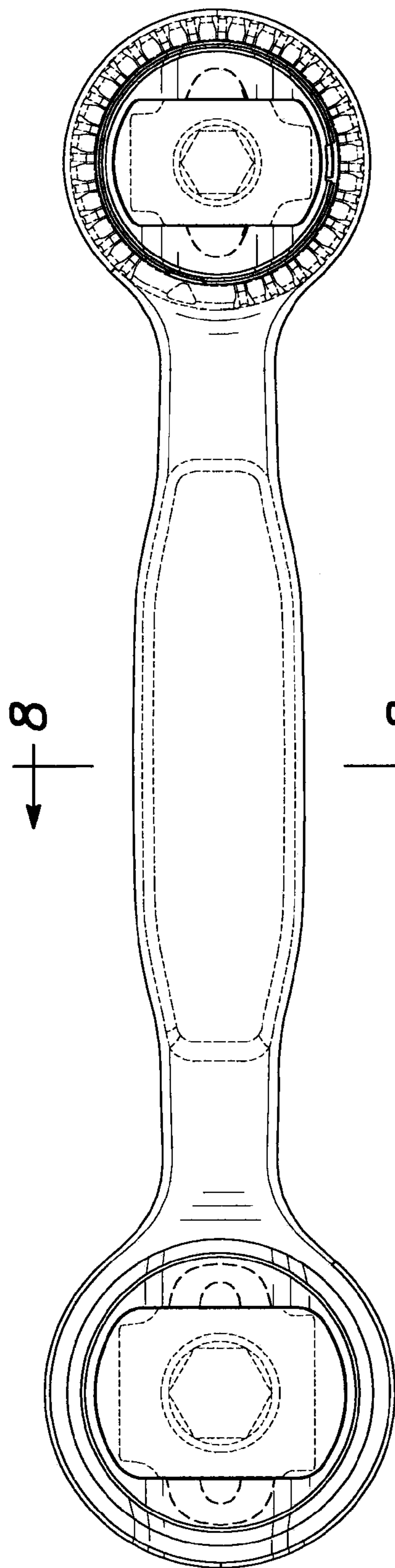


Fig-5

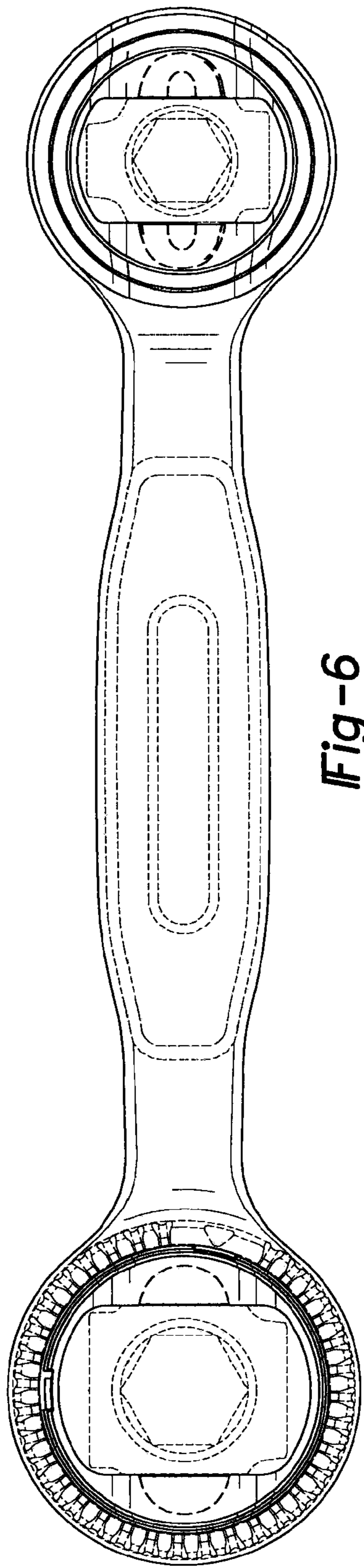


Fig-6

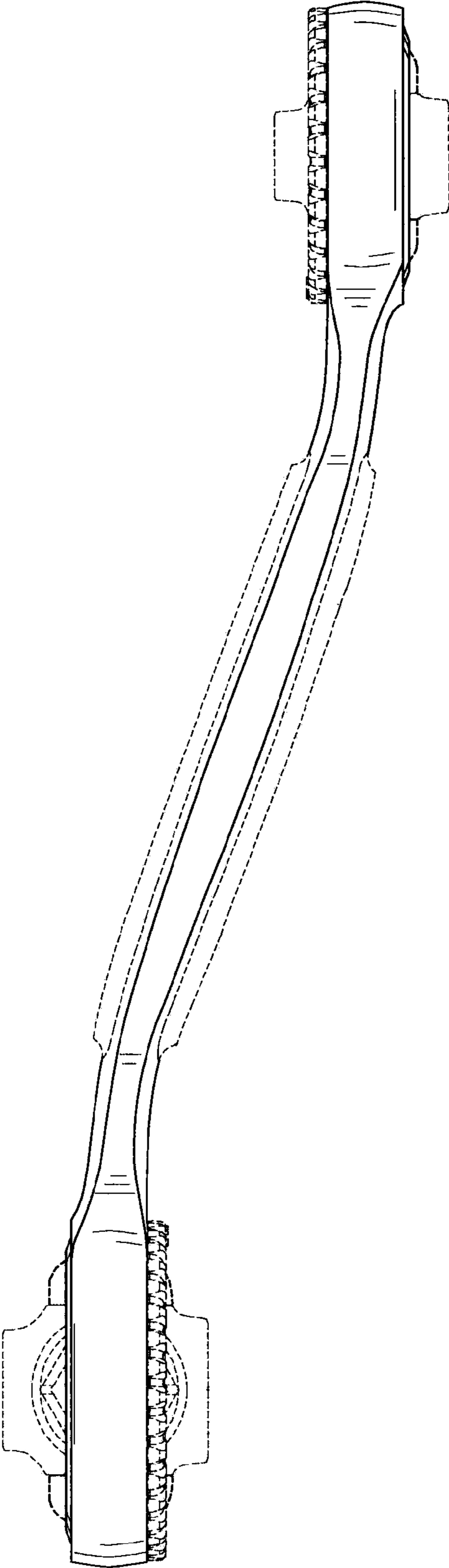


Fig-7

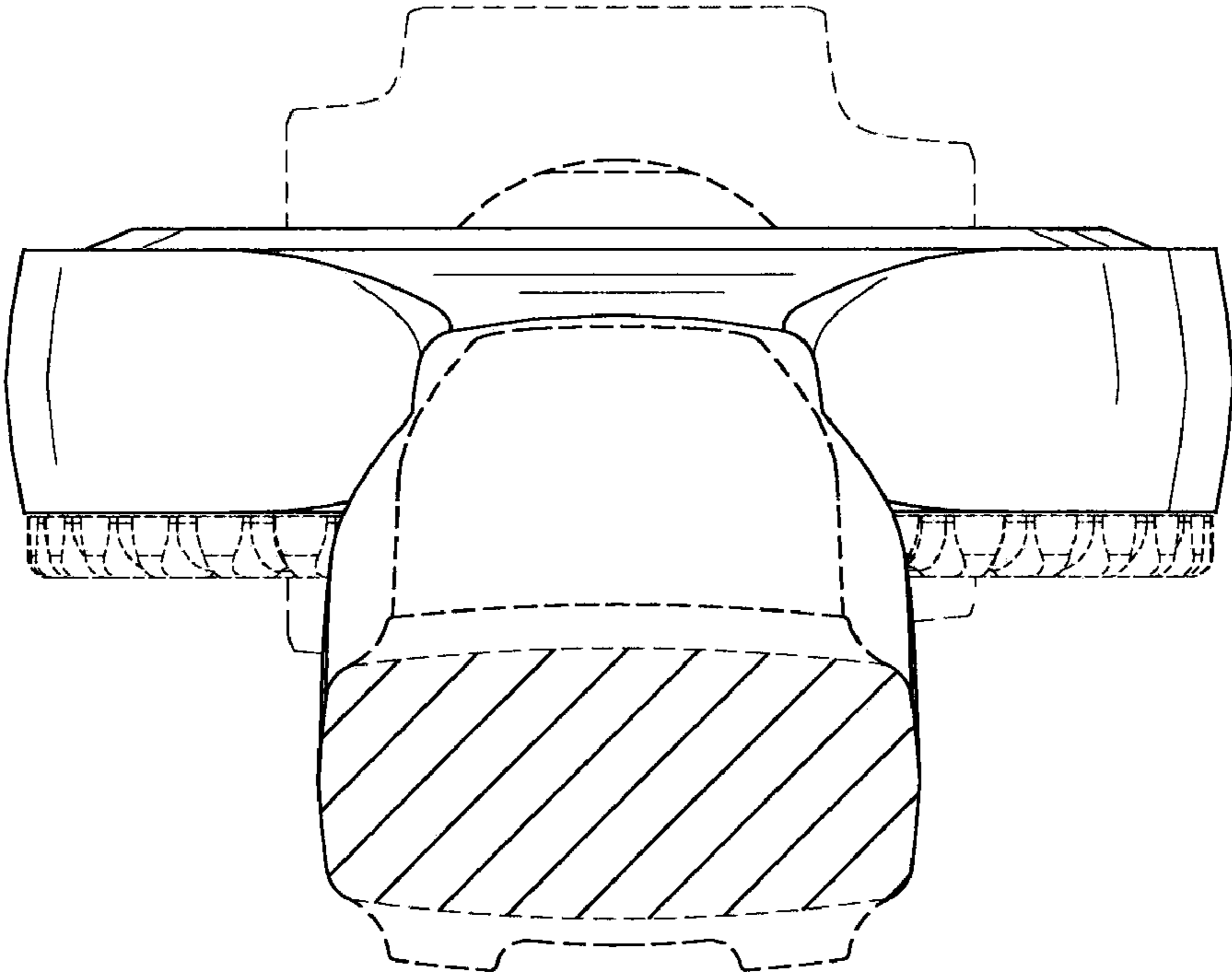


Fig-8