



US00D639621S

(12) **United States Design Patent**
von Boetticher

(10) **Patent No.:** **US D639,621 S**

(45) **Date of Patent:** **** Jun. 14, 2011**

(54) **TREE GRATE**

(75) Inventor: **Sven von Boetticher**, Stuttgart (DE)

(73) Assignee: **HessAmerica**, Gaffney, SC (US)

(**) Term: **14 Years**

(21) Appl. No.: **29/367,098**

(22) Filed: **Aug. 3, 2010**

(30) **Foreign Application Priority Data**

Feb. 4, 2010 (EM) 001193536-0001

(51) **LOC (9) Cl.** **08-01**

(52) **U.S. Cl.** **D8/1**

(58) **Field of Classification Search** D8/1; D5/6,
D5/66; 47/32; 392/348

See application file for complete search history.

(56) **References Cited**

U.S. PATENT DOCUMENTS

D268,084 S * 3/1983 Haggard D8/1
D274,211 S * 6/1984 Haggard D8/1

D283,003 S * 3/1986 McKinley D8/1
D285,406 S * 9/1986 Haggard D8/1
5,003,724 A * 4/1991 Vestuti 47/31.1
D408,233 S * 4/1999 Price D8/1
D413,495 S * 9/1999 Carter D8/1
D515,370 S * 2/2006 Huegel D8/1

* cited by examiner

Primary Examiner — Holly Baynham

Assistant Examiner — Sheryl Lane

(74) *Attorney, Agent, or Firm* — Fitzpatrick, Cella, Harper & Scinto

(57) **CLAIM**

The ornamental design for a tree grate, as shown and described.

DESCRIPTION

FIG. 1 is a perspective view of a tree grate showing my new design; and,

FIG. 2 is a plan view thereof.

The bottom view of the tree grate is the inverse of the top view of FIG. 2 and the edge views are solid edges.

1 Claim, 2 Drawing Sheets

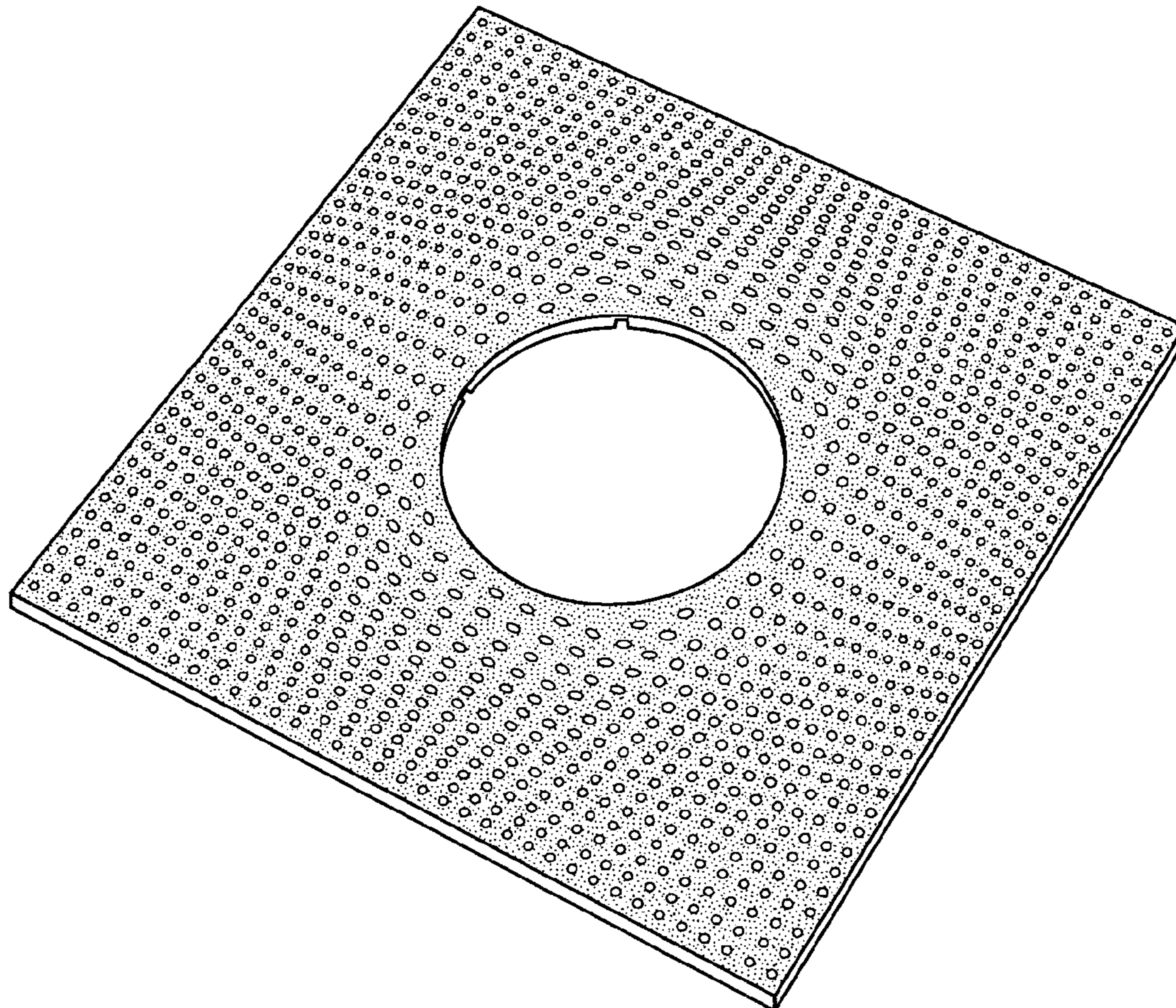


FIG. 1

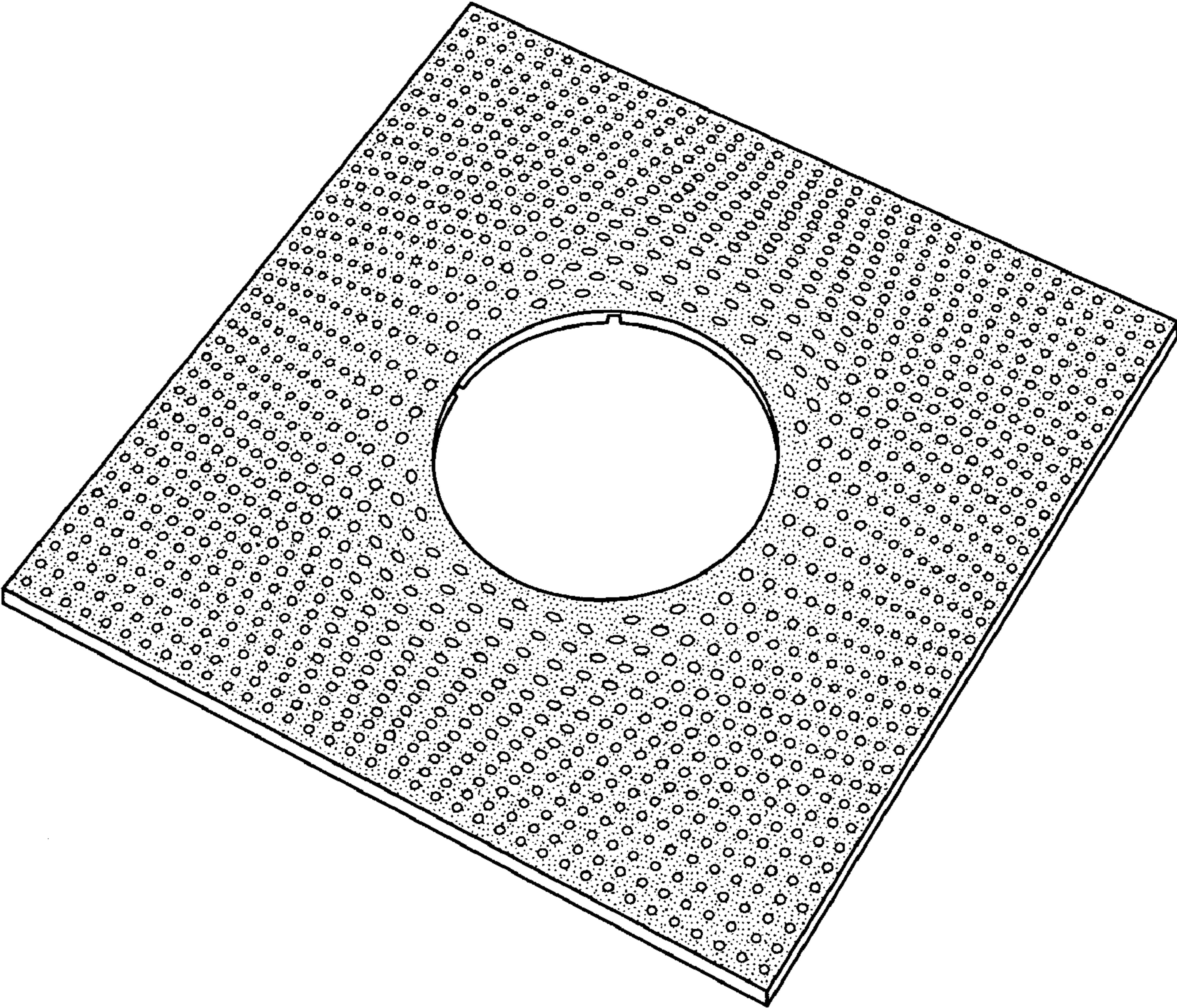


FIG. 2

