

US00D639615S

(12) **United States Design Patent**
Krapfl et al.

(10) **Patent No.:** **US D639,615 S**

(45) **Date of Patent:** **** Jun. 14, 2011**

(54) **CUTLERY HANDLE**

D530,586 S * 10/2006 Chen D8/99
D533,620 S * 12/2006 Holbl D22/118

(Continued)

(75) Inventors: **Clifford Krapfl**, Chicago, IL (US); **Julia Burke**, Chicago, IL (US); **Paul Hatch**, Chicago, IL (US); **David Mucci**, Chicago, IL (US)

FOREIGN PATENT DOCUMENTS

EP 0429035 A2 5/1991

(Continued)

(73) Assignee: **WKI Holding Company, Inc.**, Rosemont, IL (US)

OTHER PUBLICATIONS

(**) Term: **14 Years**

International Search Report for PCT/US2010/036460, Aug. 24, 2010.

(21) Appl. No.: **29/382,055**

Primary Examiner — Ricky Pham

(22) Filed: **Dec. 28, 2010**

(74) *Attorney, Agent, or Firm* — McDermott Will & Emery LLP

(51) **LOC (9) Cl.** **07-03**

(52) **U.S. Cl.** **D7/649**; D7/401.2

(58) **Field of Classification Search** D4/138;
D7/368, 393-395, 401.2, 642-653, 669, 675-676,
D7/688-696; D8/20, 97-99, 102, 107, 300,
D8/303, 321; D22/117-118; D24/146-149;
16/110.1, 407, 430, DIG. 18; 30/136, 142-150,
30/161, 315, 329, 340-346, 355-356; 83/673,
83/835, 847; 452/102-105

(57) **CLAIM**

We claim the ornamental design for a cutlery handle, as shown and described.

See application file for complete search history.

DESCRIPTION

(56) **References Cited**

U.S. PATENT DOCUMENTS

3,568,315 A * 3/1971 Smith 30/161
D424,887 S * 5/2000 Stokes D7/649
D447,925 S * 9/2001 Osborne D8/107
D482,874 S * 12/2003 Dotterman D4/138
D483,625 S * 12/2003 Chien D7/649
D494,444 S * 8/2004 Hung D8/107
D497,522 S * 10/2004 Reichenbach et al. D7/649
D497,523 S * 10/2004 Chen D7/650
D498,394 S * 11/2004 Chen D7/650
D499,886 S * 12/2004 Goulet et al. D4/138
D513,927 S * 1/2006 Chen D7/395
D522,342 S * 6/2006 Kwan D8/107
D527,243 S * 8/2006 Holby D8/107

This application is related to U.S. patent application Ser. No. 29/382,050 filed Dec. 28, 2010 and U.S. patent application Ser. No. 29/382,059 filed Dec. 28, 2010.

FIG. 1 is a perspective view of a cutlery handle according to the new design;

FIG. 2 is a left side elevation view of the cutlery handle shown in FIG. 1;

FIG. 3 is a right side elevation view of the cutlery handle shown in FIG. 1;

FIG. 4 is a top view of the cutlery handle shown in FIG. 1;

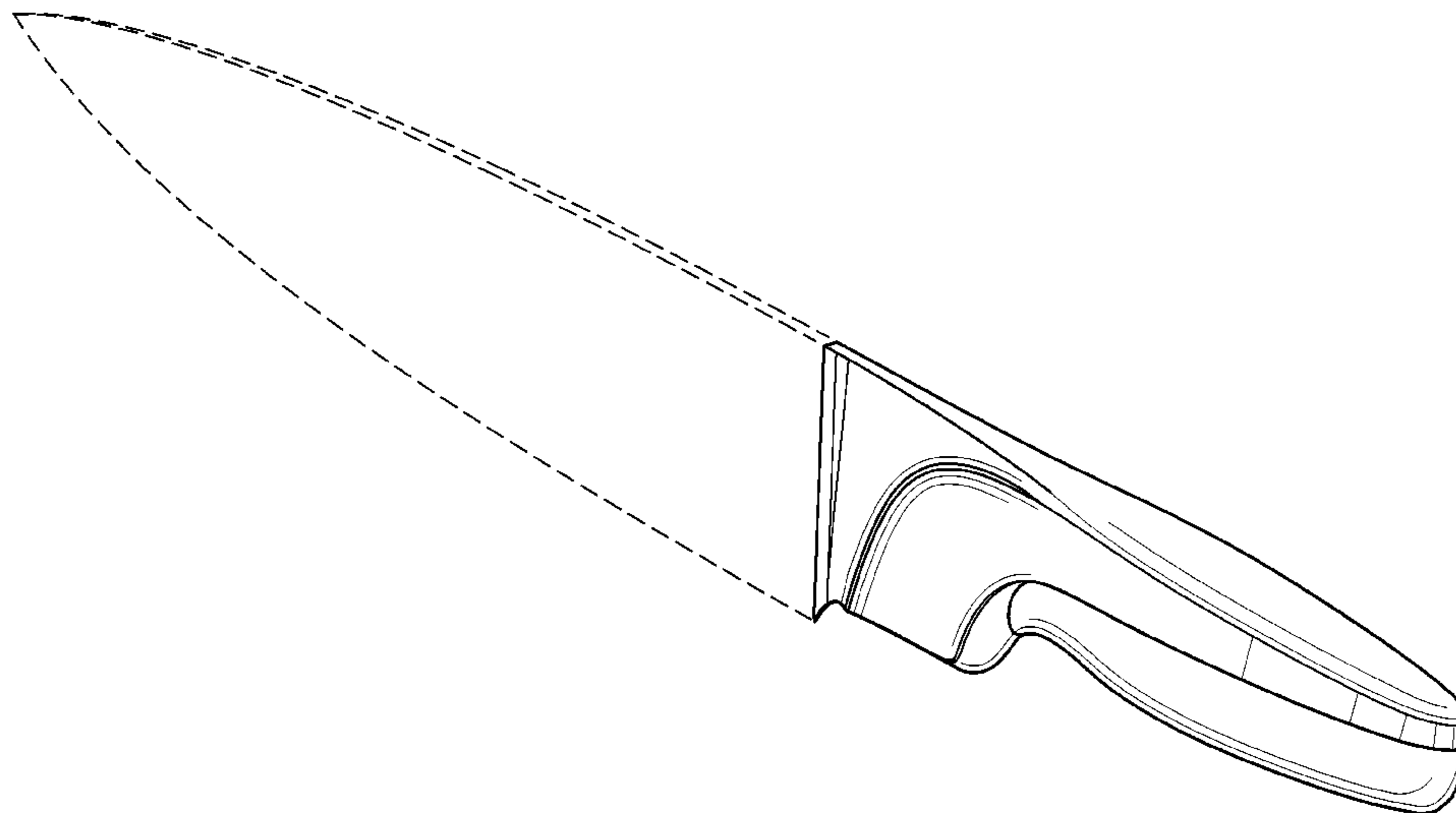
FIG. 5 is a bottom view of the cutlery handle shown in FIG. 1;

FIG. 6 is a front end view of the cutlery handle shown in FIG. 1; and,

FIG. 7 is a rear end view of the cutlery handle shown in FIG. 1.

Features shown in broken lines form no part of the claimed design.

1 Claim, 3 Drawing Sheets



US D639,615 S

Page 2

U.S. PATENT DOCUMENTS

D536,233 S * 2/2007 Lin D8/107
D554,428 S * 11/2007 Smith et al. D7/401.2
D554,464 S * 11/2007 Yah D8/107
D623,895 S * 9/2010 Hirai D7/401.2
D628,859 S * 12/2010 Hirai D7/649
D629,260 S * 12/2010 Krent et al. D7/649

D633,346 S * 3/2011 Hirai D7/649
2004/0123471 A1 7/2004 Onion
2006/0117576 A1 6/2006 Demers et al.

FOREIGN PATENT DOCUMENTS

WO 2005039834 A1 5/2005

* cited by examiner

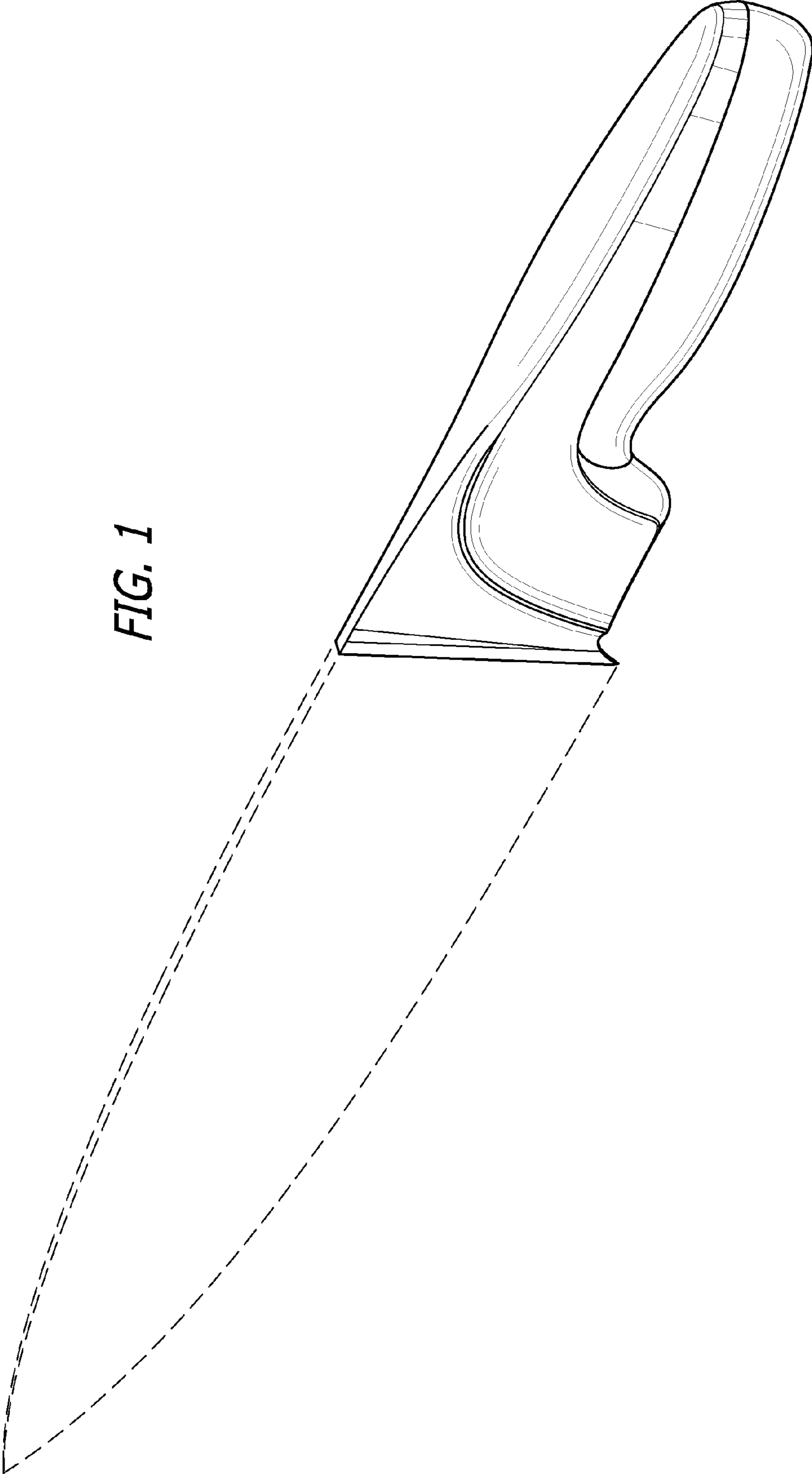


FIG. 1



