



US00D639611S

(12) **United States Design Patent**  
**Goodman et al.**

(10) **Patent No.:** **US D639,611 S**  
(45) **Date of Patent:** **\*\* Jun. 14, 2011**

(54) **DRINK POD HOLDER**

(75) Inventors: **Sheldon H. Goodman**, Solon, OH (US);  
**Omer I. Sazir**, Cleveland, OH (US)

(73) Assignee: **Spectrum Diversified Designs, Inc.**,  
Streetsboro, OH (US)

(\*\*) Term: **14 Years**

(21) Appl. No.: **29/368,305**

(22) Filed: **Aug. 21, 2010**

(51) **LOC (9) Cl.** ..... **07-06**

(52) **U.S. Cl.** ..... **D7/600.4**

(58) **Field of Classification Search** .... D7/600.1–600.4,  
D7/701–708; D6/462–469, 449, 514; 211/71.01,  
211/74, 75, 191.1, 70.6, 70.7

See application file for complete search history.

(56) **References Cited**

U.S. PATENT DOCUMENTS

4,378,889	A *	4/1983	Lebowitz	.....	211/75
D278,773	S *	5/1985	Licari et al.	.....	D6/462
D323,600	S *	2/1992	Patke	.....	D7/704
D528,381	S *	9/2006	Clark	.....	D7/704
7,832,572	B2 *	11/2010	Wyatt et al.	.....	211/181.1

\* cited by examiner

*Primary Examiner* — Terry Wallace

(74) *Attorney, Agent, or Firm* — Pearne & Gordon LLP

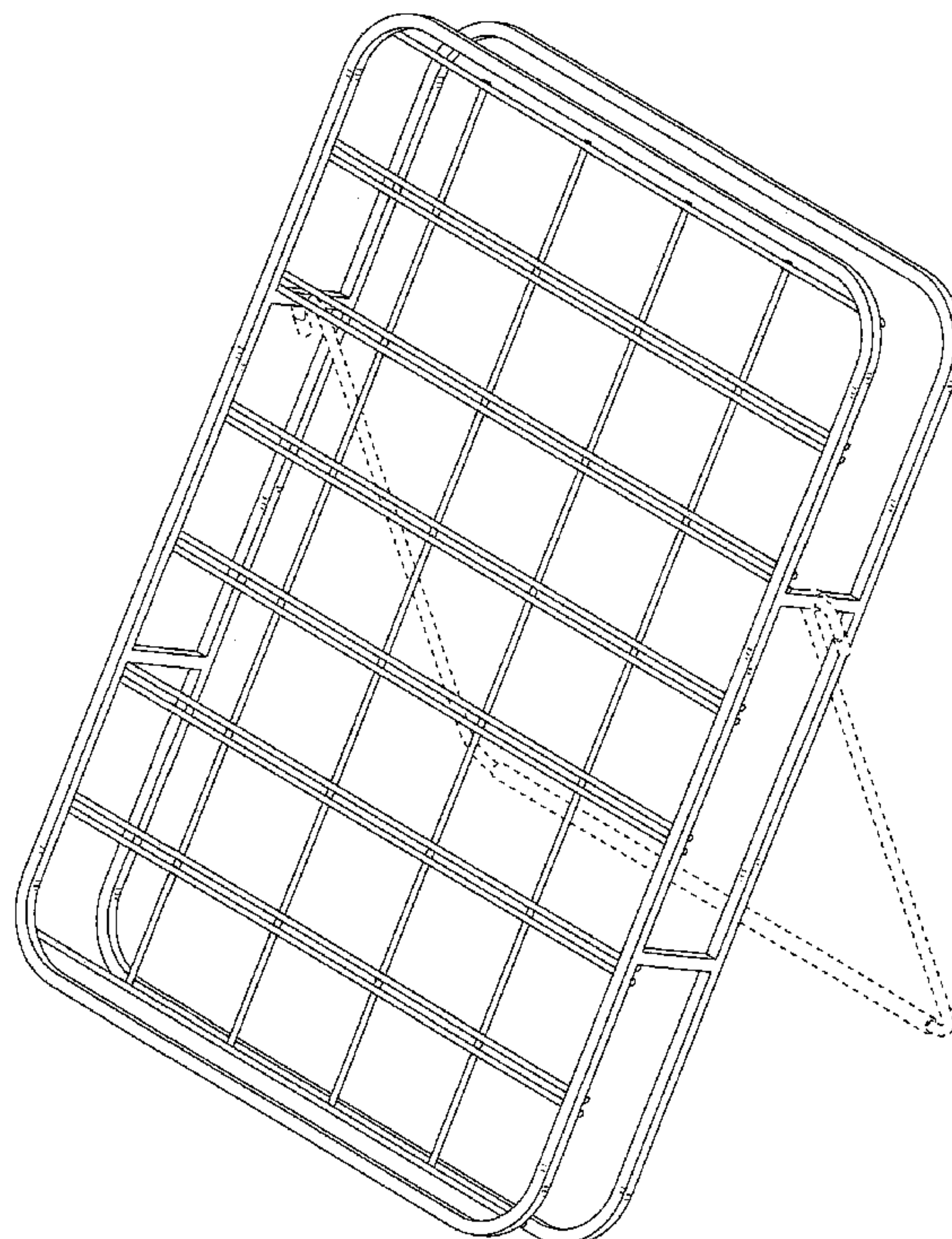
(57) **CLAIM**

The ornamental design for a drink pod holder, as shown and described.

**DESCRIPTION**

FIG. 1 is a perspective view of a drink pod holder for coffee pods showing our new design;  
 FIG. 2 is a top plan view thereof;  
 FIG. 3 is a front elevational view thereof;  
 FIG. 4 is a bottom plan view thereof;  
 FIG. 5 is a side elevational view thereof;  
 FIG. 6 is a rear elevational view thereof;  
 FIG. 7 is a perspective view of the drink pod holder of FIG. 1 having an indeterminate height and width and number of holders identically spaced and arranged in the same repeating array as in FIG. 1;  
 FIG. 8 is a perspective view of a modified drink pod holder for tea discs showing our new design;  
 FIG. 9 is a top plan view thereof;  
 FIG. 10 is a front elevational view thereof;  
 FIG. 11 is a bottom plan view thereof;  
 FIG. 12 is a side elevational view thereof;  
 FIG. 13 is a rear elevational view thereof; and,  
 FIG. 14 is a perspective view of the drink pod holder of FIG. 8 having an indeterminate height and width and number of holders identically spaced and arranged in the same repeating array as in FIG. 8.  
 The dotted-line showing in the drawings illustrates environmental matter and forms no part of the claimed design.

**1 Claim, 8 Drawing Sheets**



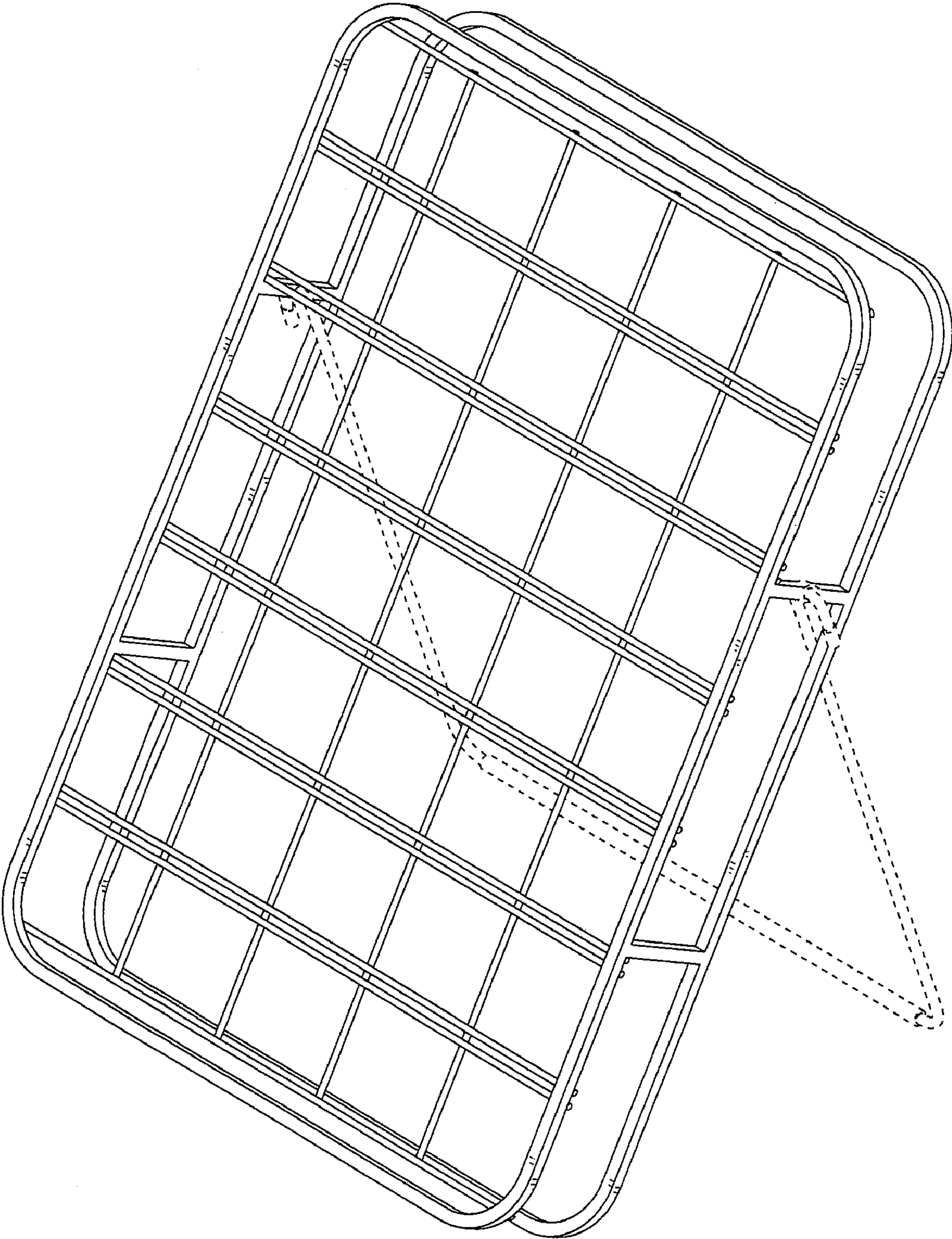
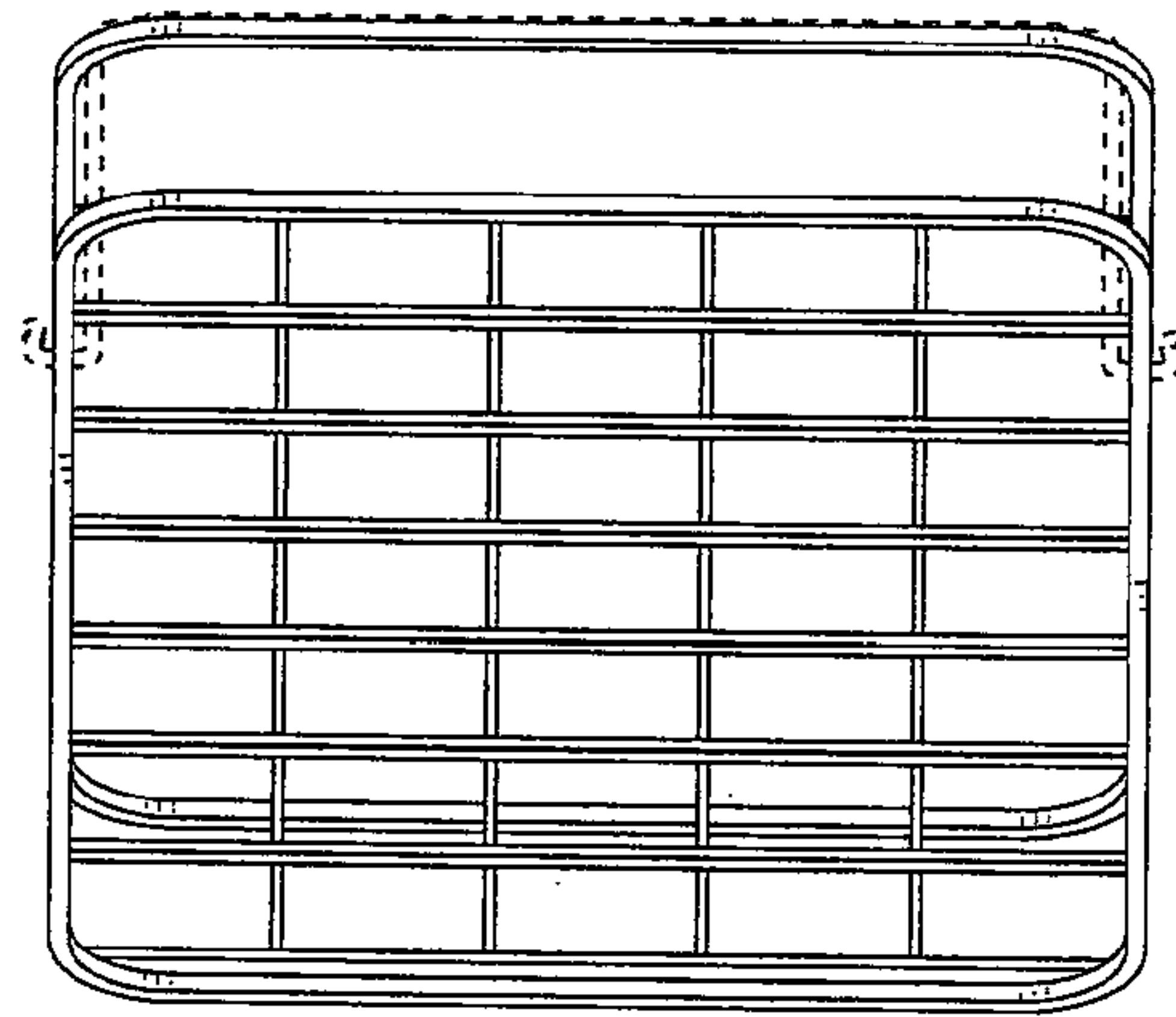
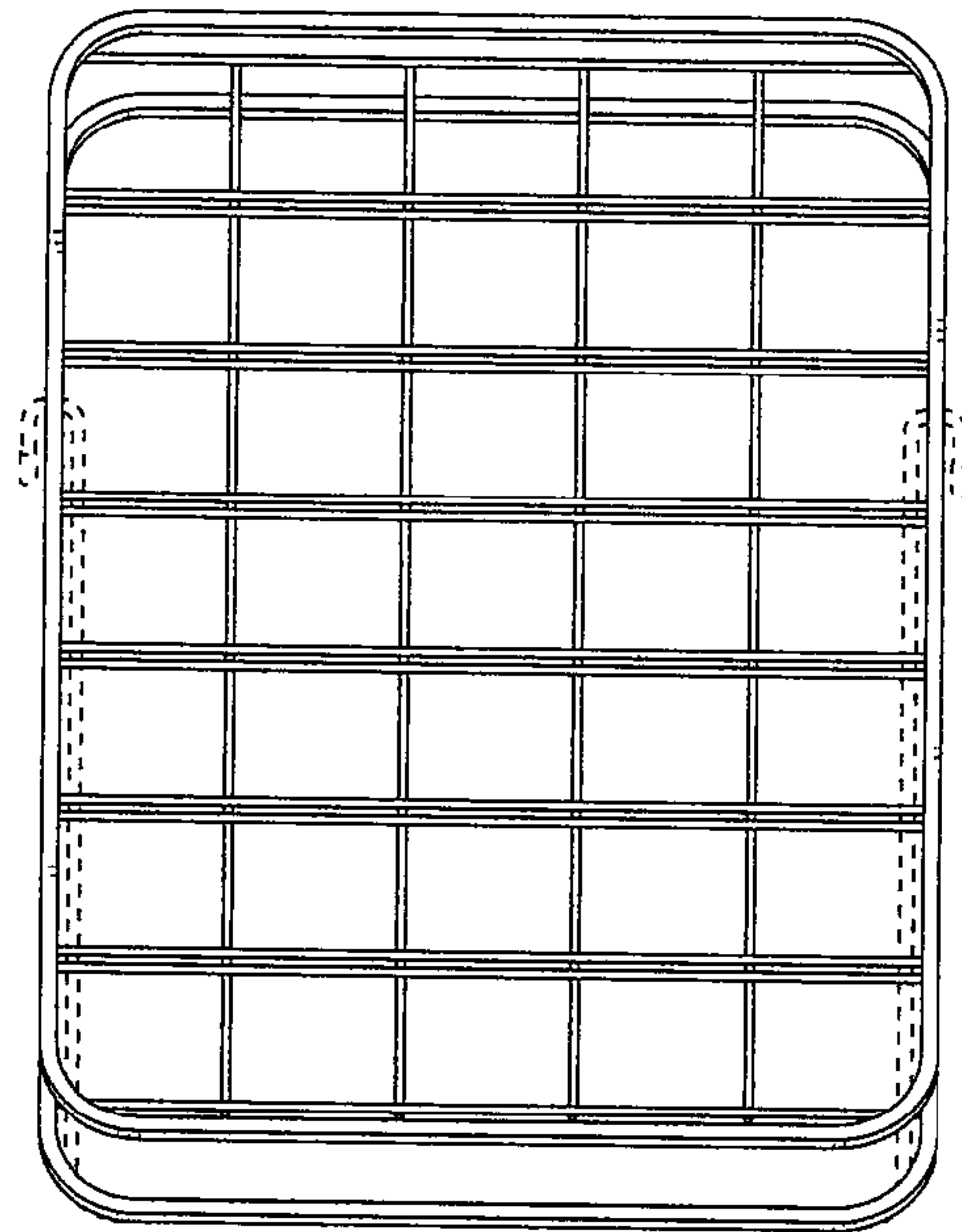


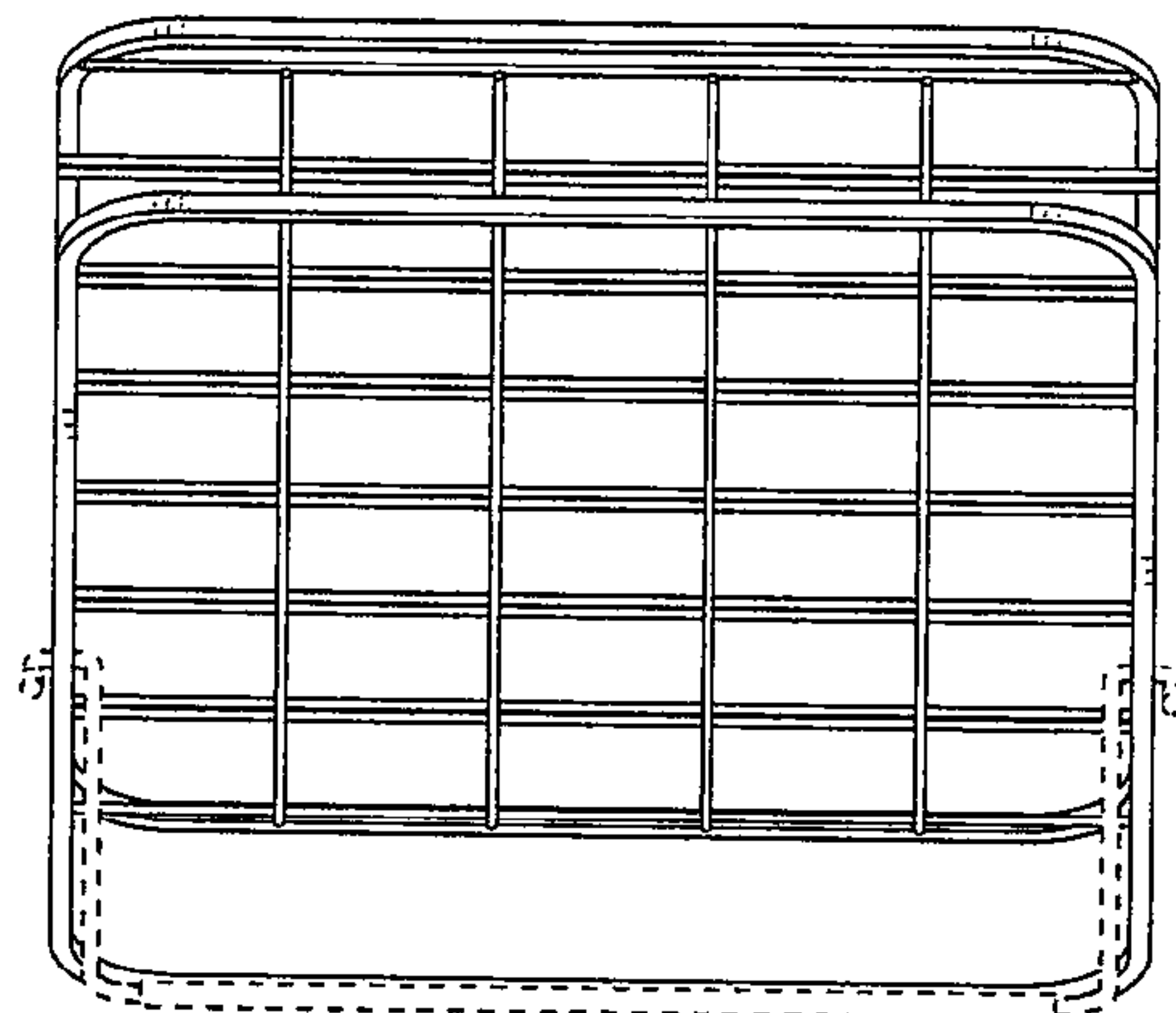
FIG. 1



**FIG. 2**



**FIG. 3**



**FIG. 4**



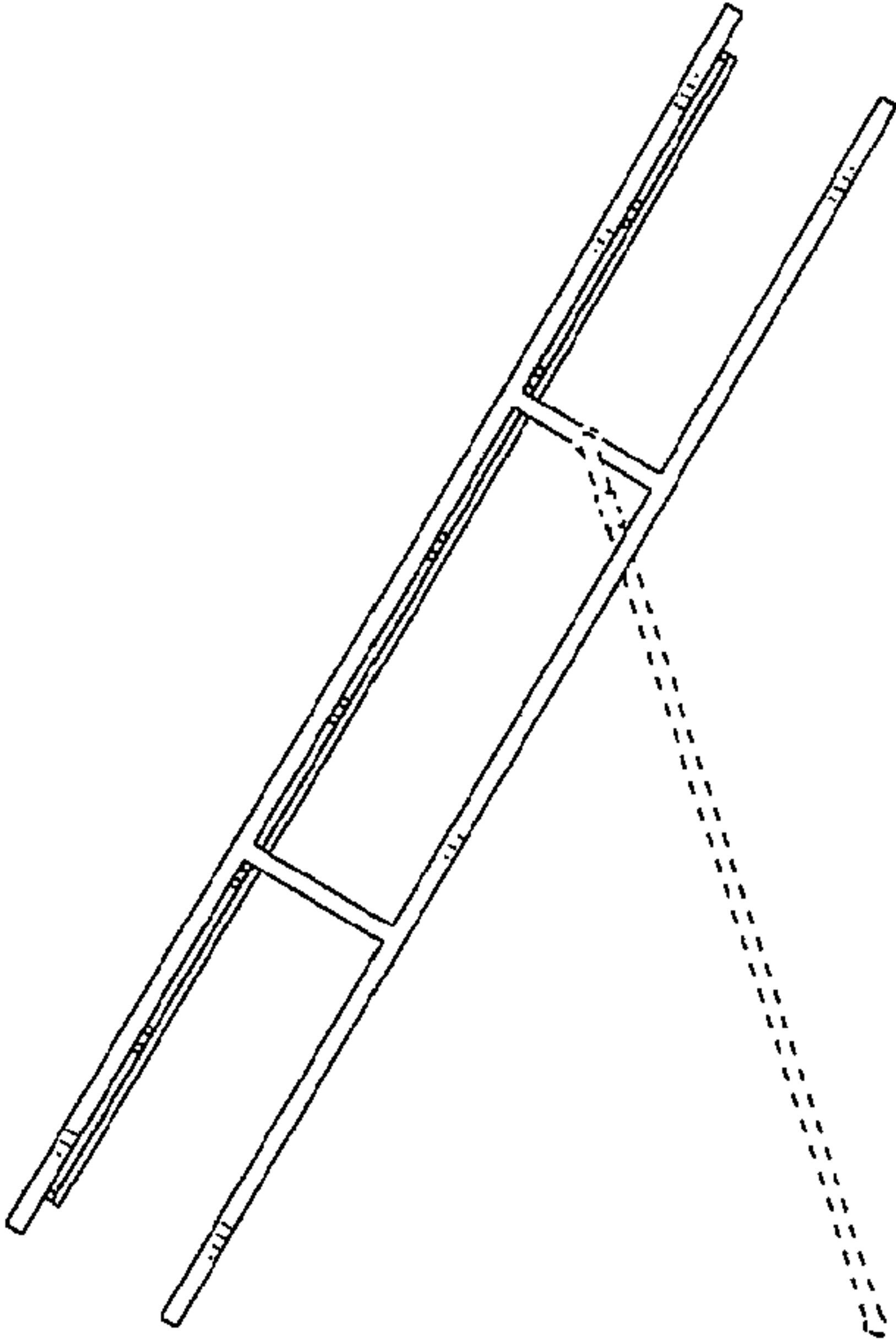


FIG. 5

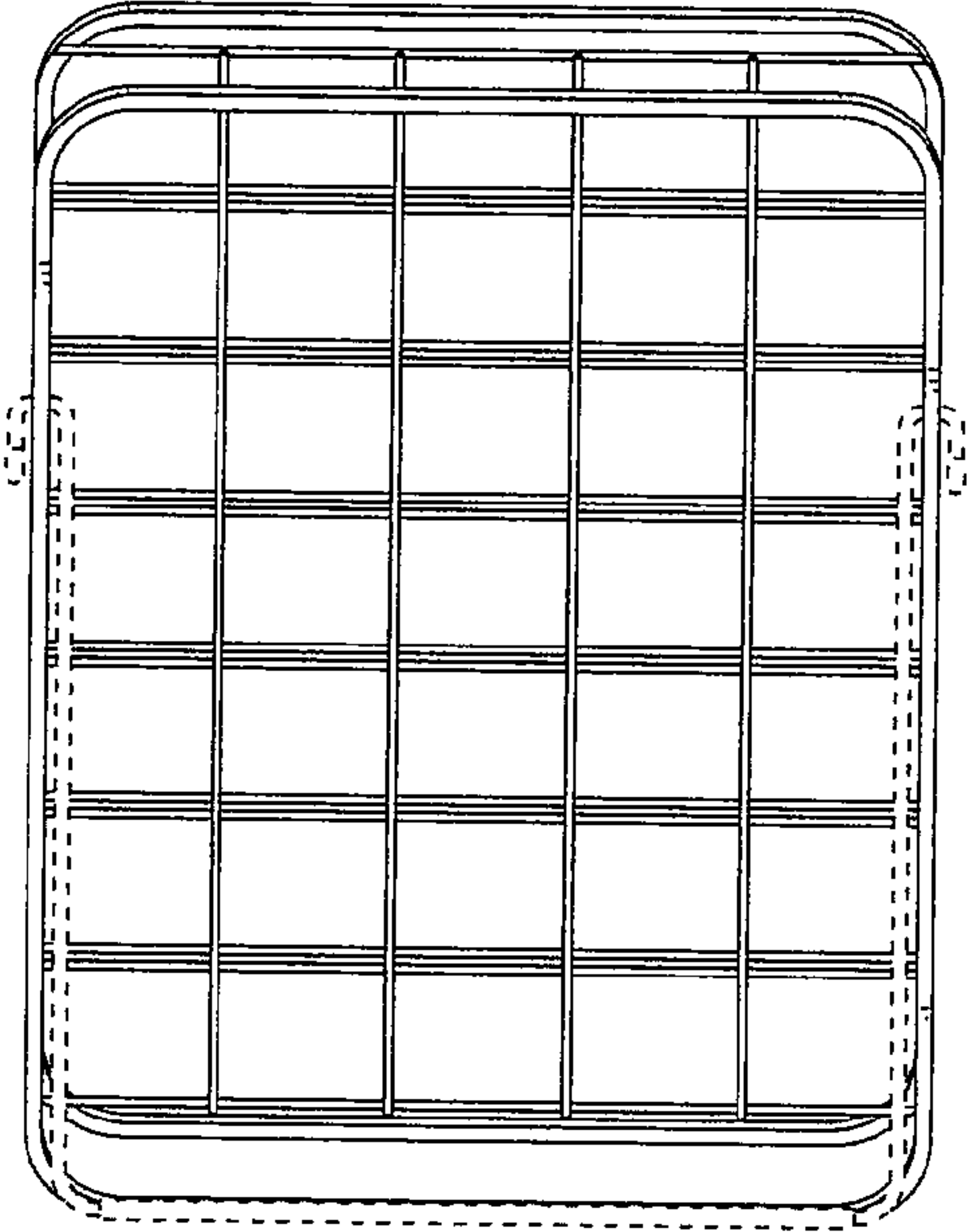
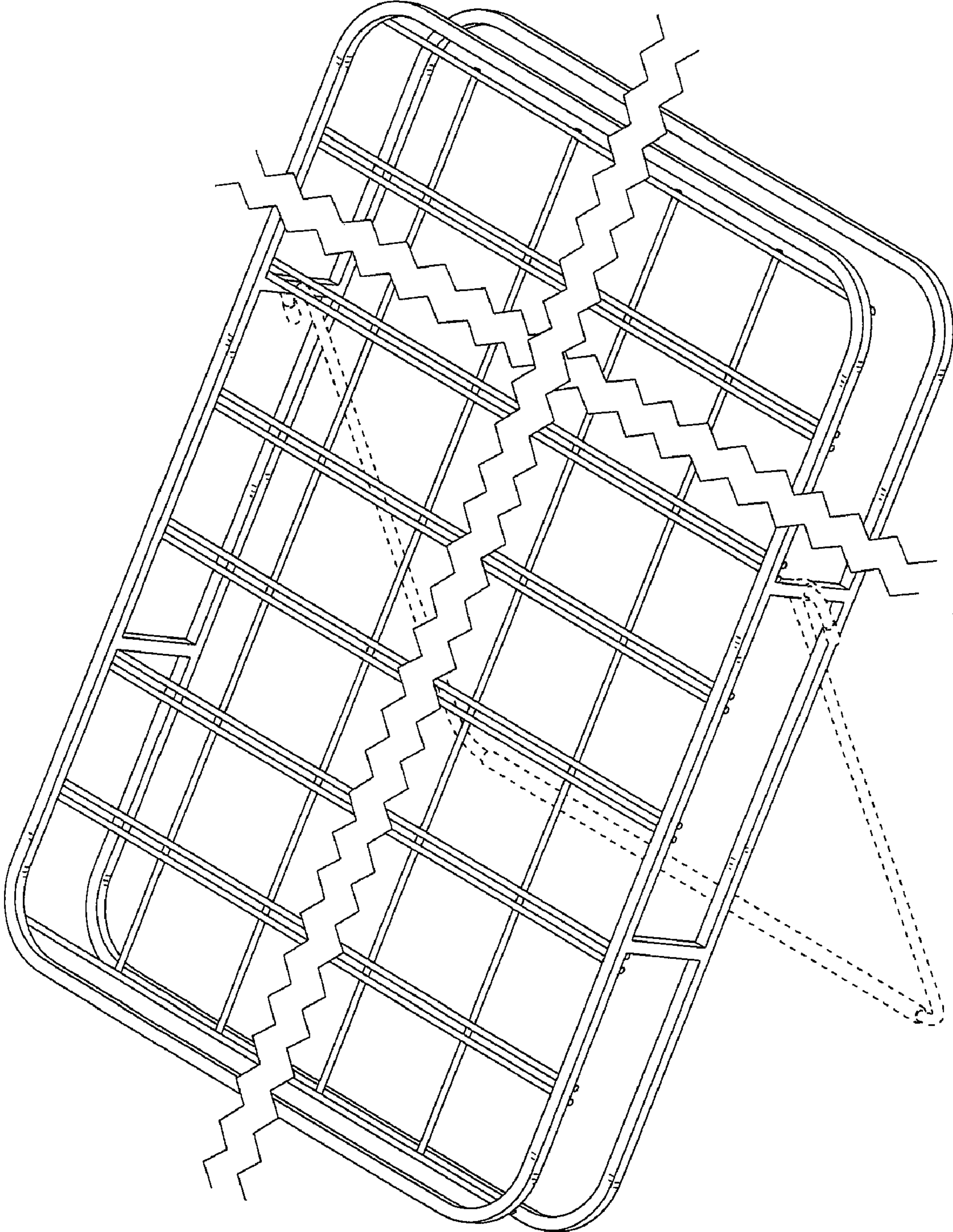


FIG. 6



**FIG. 7**

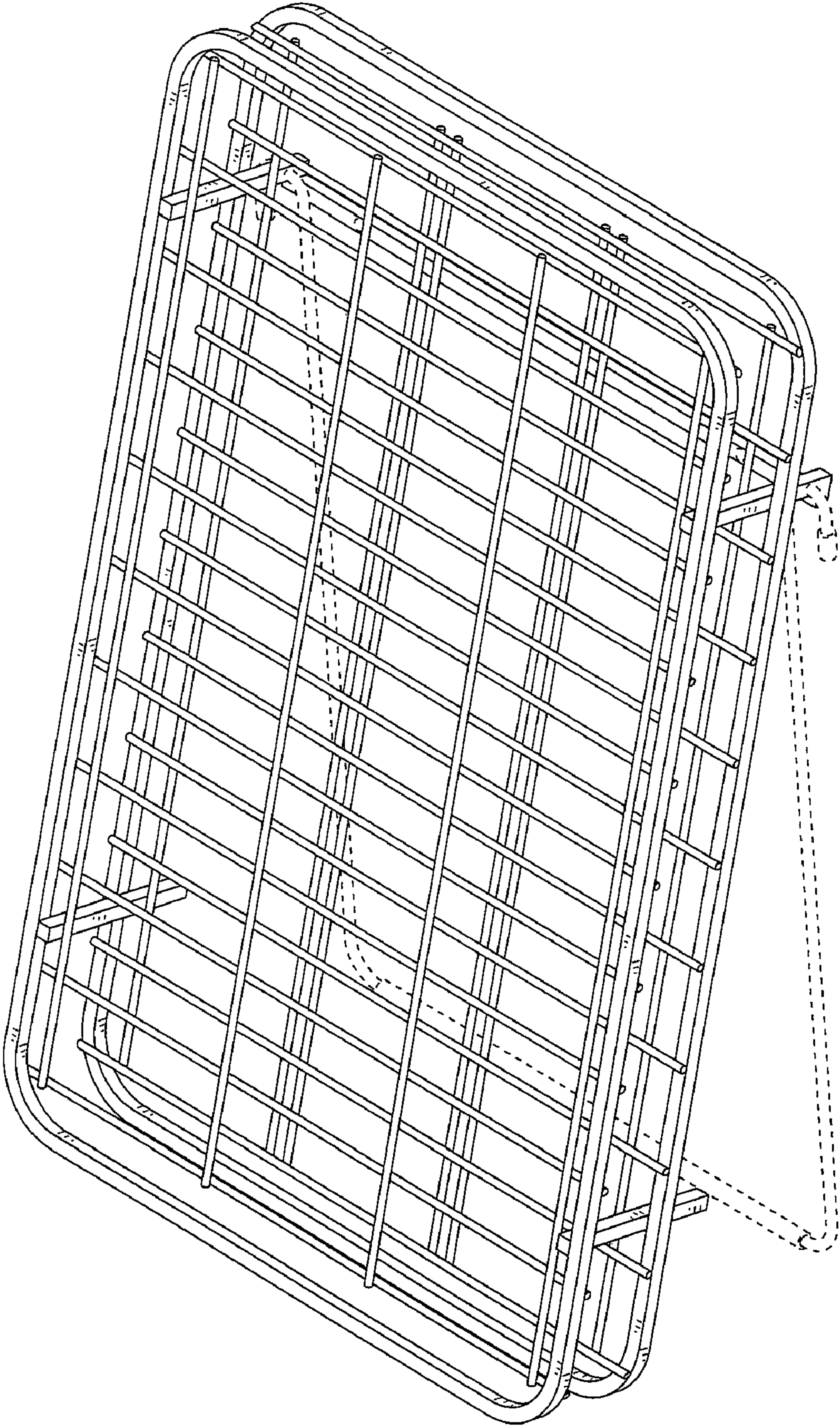
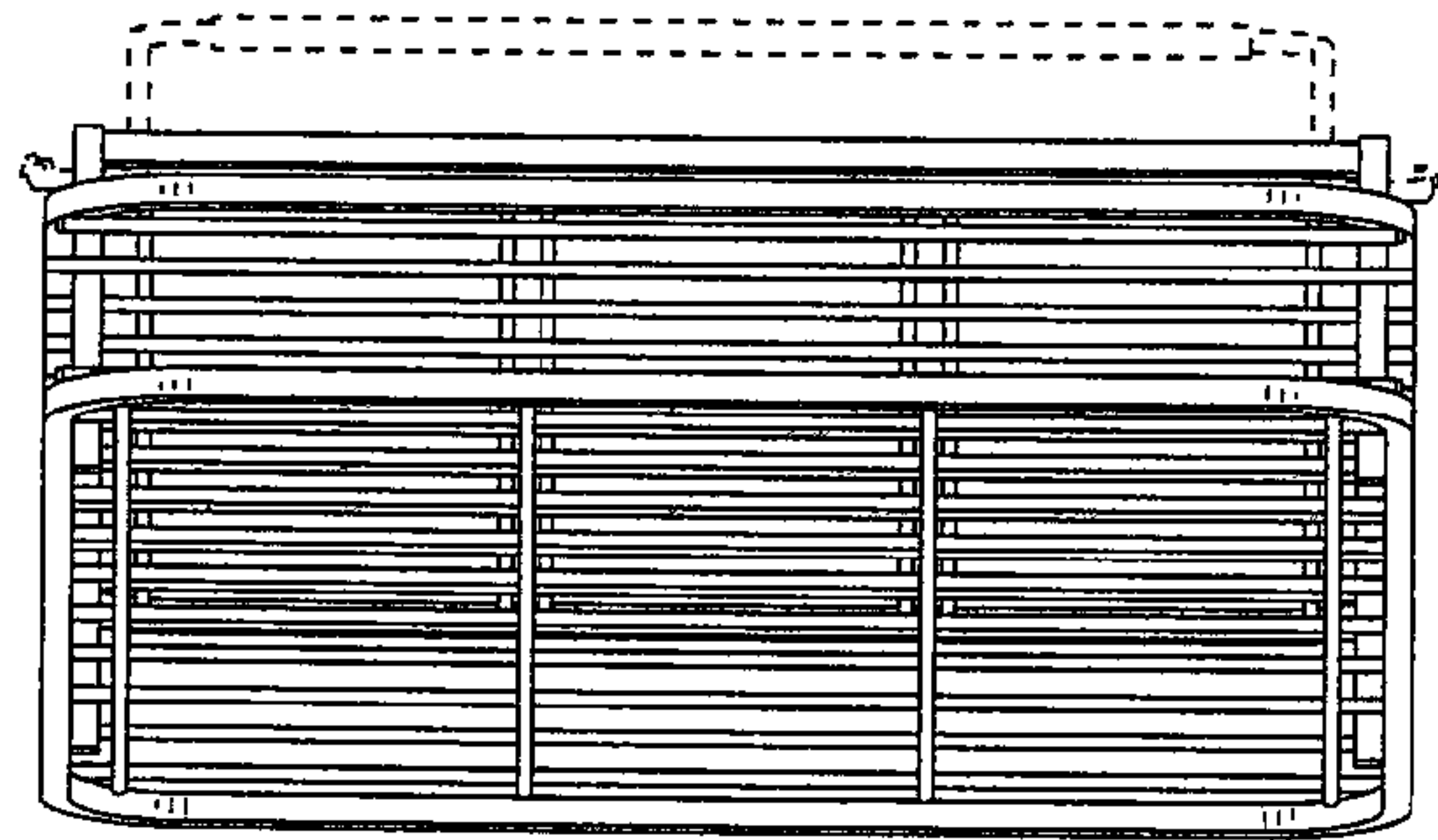
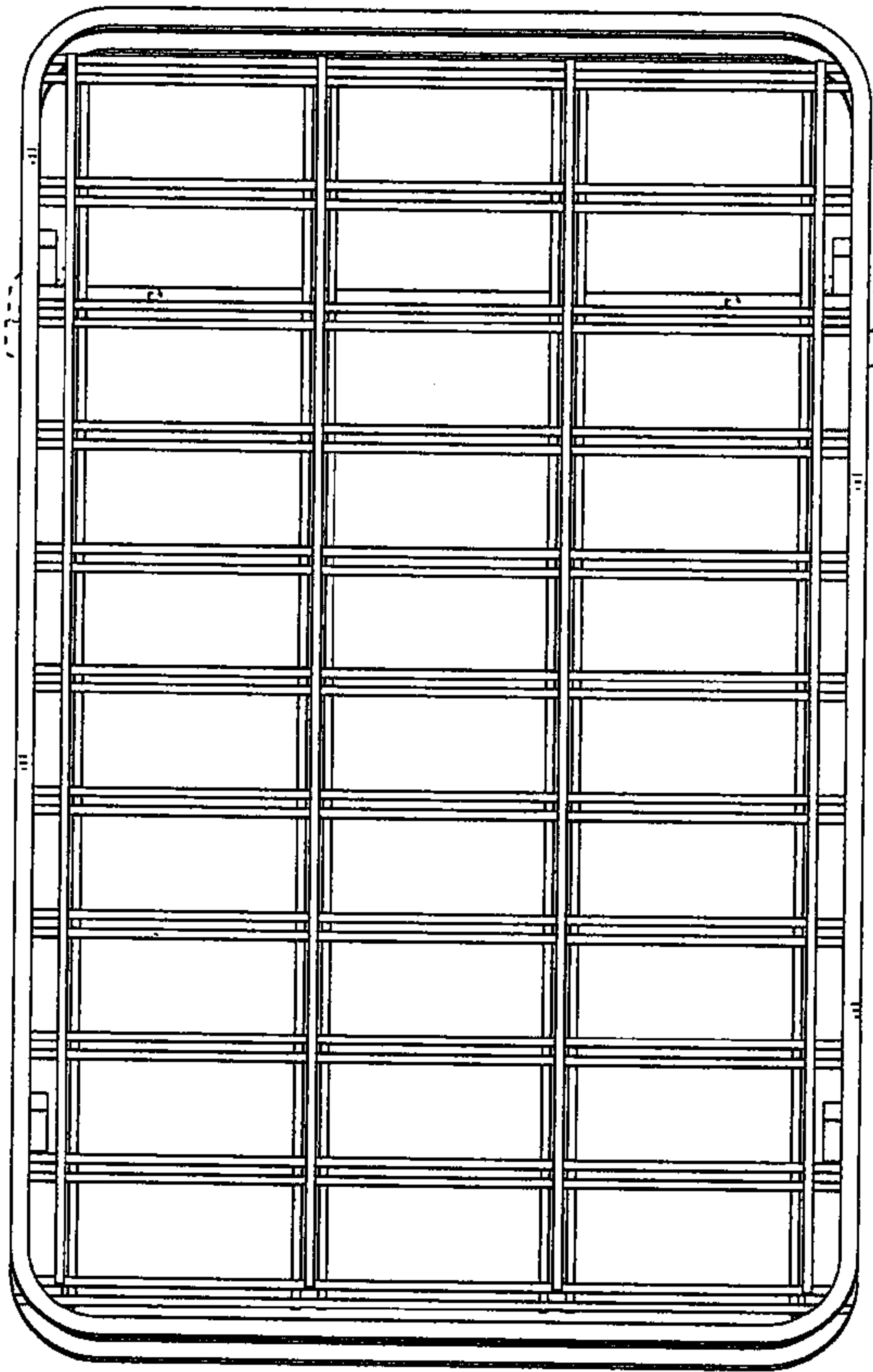


FIG. 8

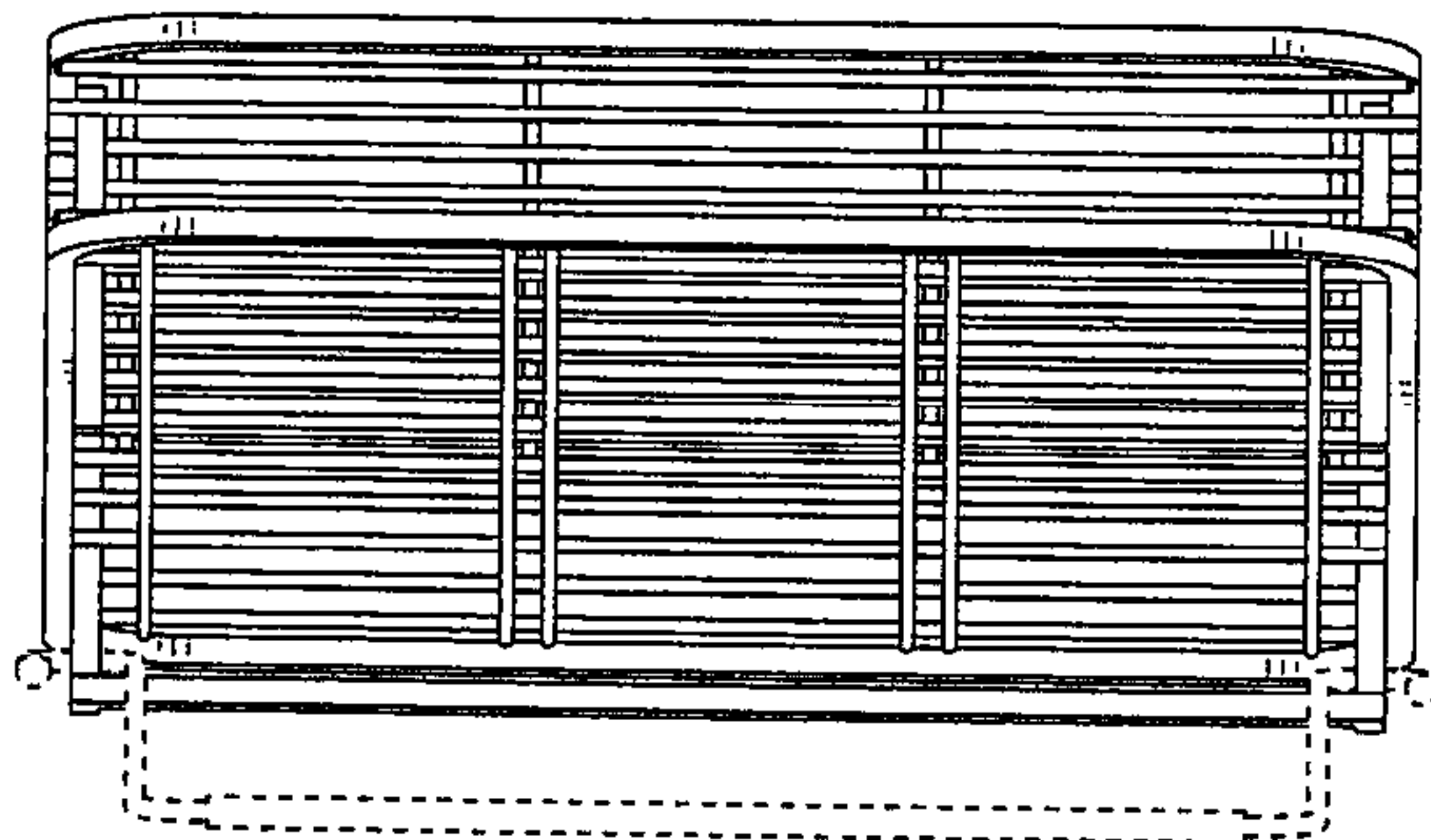




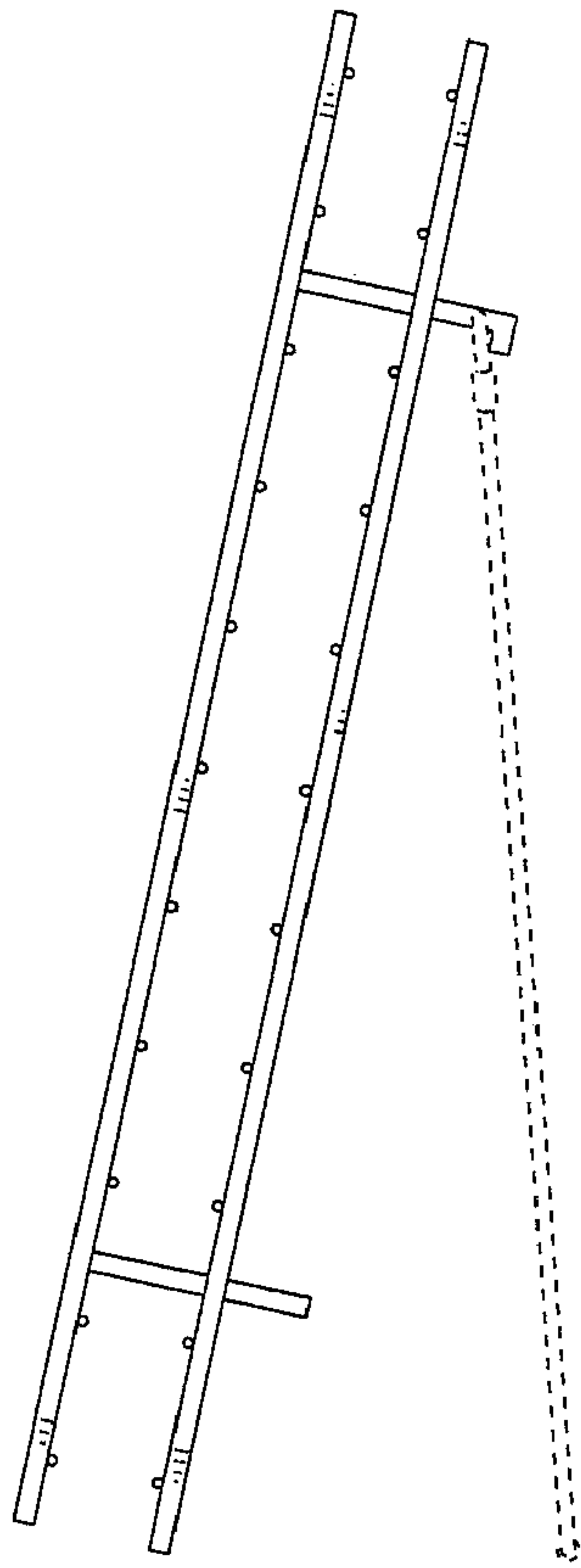
**FIG. 9**



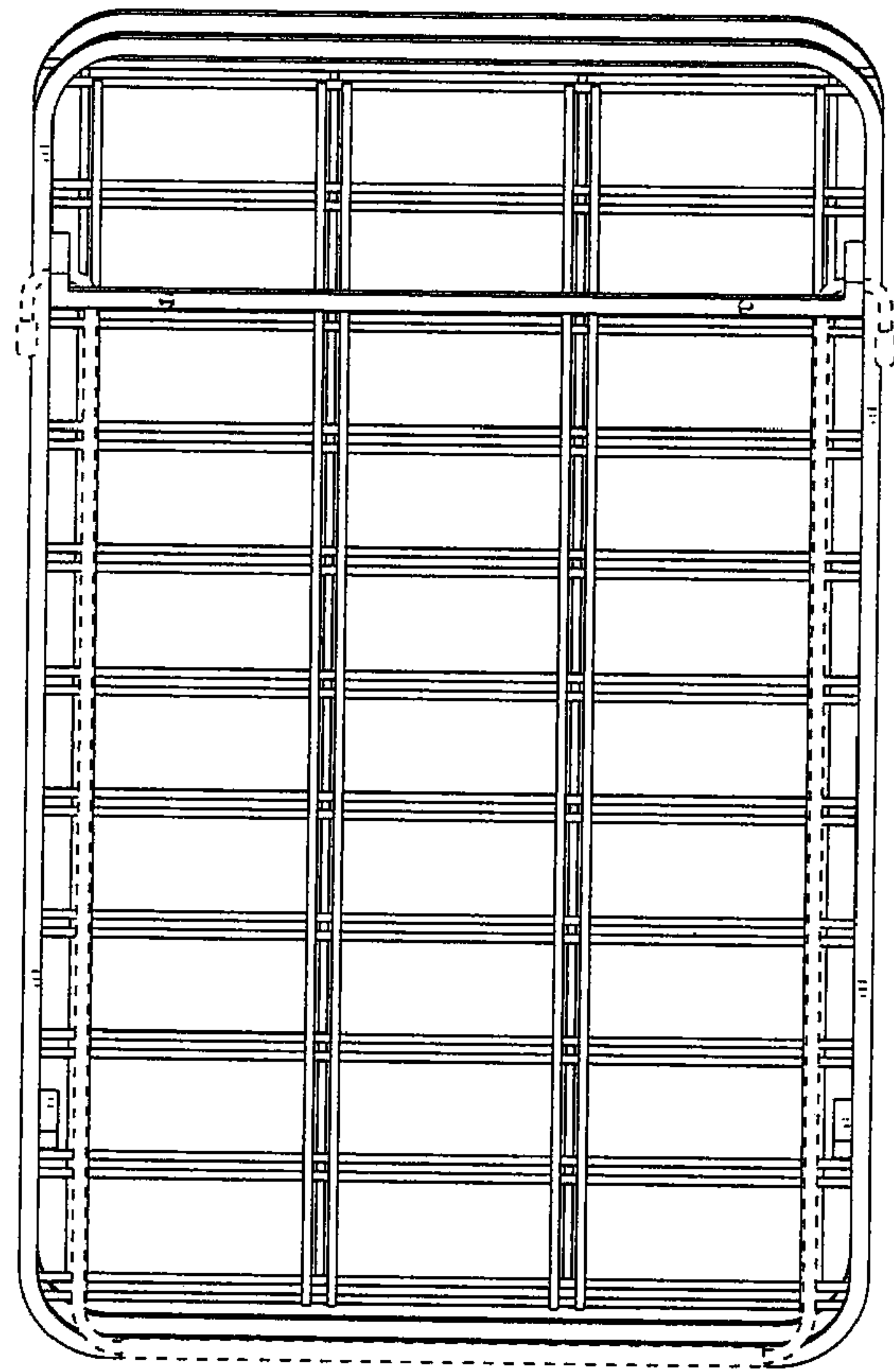
**FIG. 10**



**FIG. 11**



**FIG. 12**



**FIG. 13**



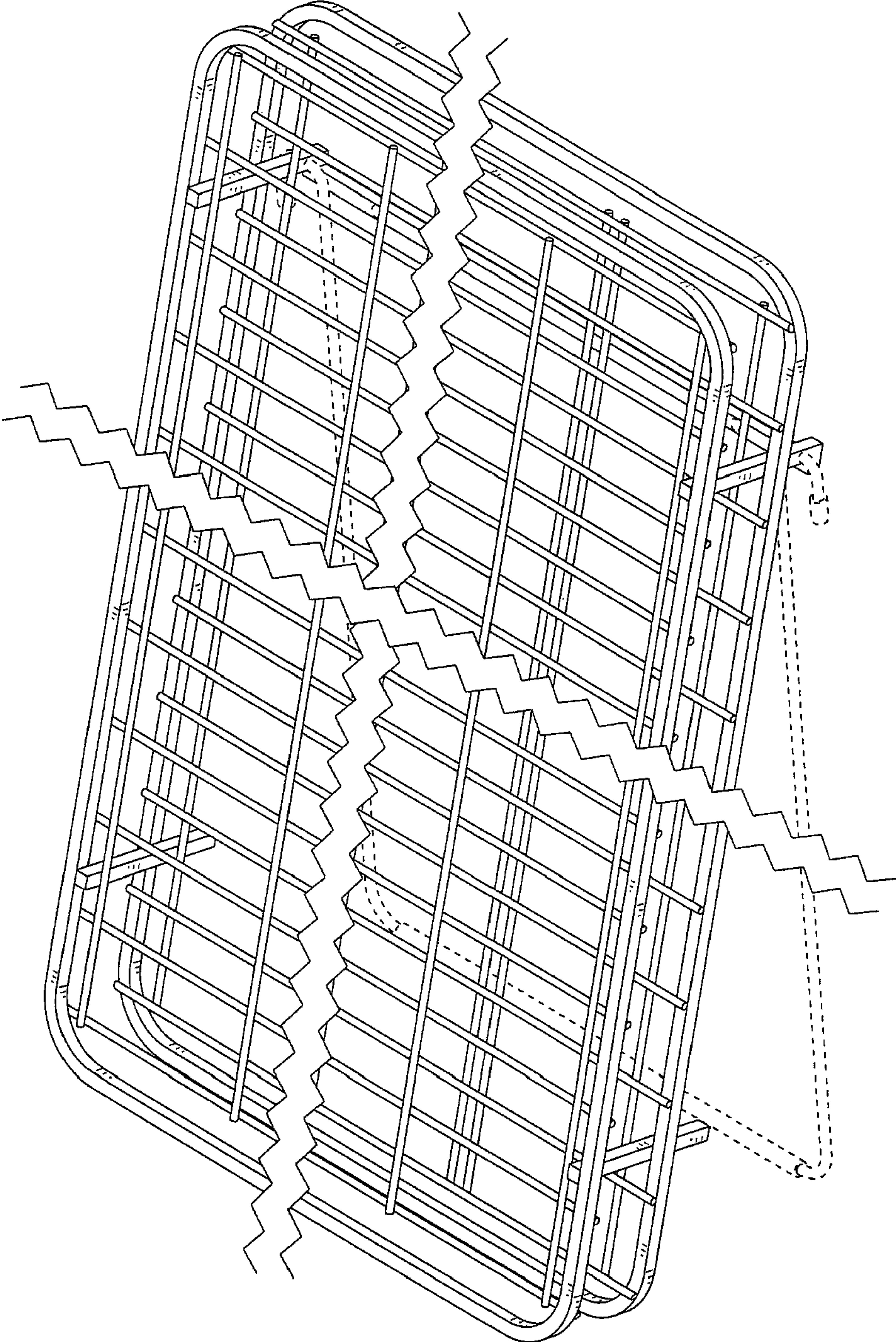


FIG. 14