



US00D639610S

(12) **United States Design Patent**  
**Piacenza et al.**

(10) **Patent No.:** **US D639,610 S**

(45) **Date of Patent:** **\*\* \*Jun. 14, 2011**

(54) **LEMON CONTAINER WITH TRANSPARENT BASE**

(76) Inventors: **Raffaele Piacenza**,  
Coneglianolaudense-Lodi (IT);  
**Alessandro Piacenza**,  
Coneglianolaudense-Lodi (IT)

(\*\*) Term: **14 Years**

(21) Appl. No.: **29/314,106**

(22) Filed: **Mar. 3, 2009**

(30) **Foreign Application Priority Data**

Feb. 6, 2009 (EM) ..... 001084123-0001

(51) **LOC (9) Cl.** ..... **07-01**

(52) **U.S. Cl.** ..... **D7/539**

(58) **Field of Classification Search** ..... D7/538-540,  
D7/500, 542, 544, 576, 583, 584, 586, 604,  
D7/606, 626, 636, 639; D9/426, 600, 628,  
D9/644; D3/21, 27, 270; D1/106, 115, 122,  
D1/124; 220/737, 799, 800

See application file for complete search history.

(56) **References Cited**

**U.S. PATENT DOCUMENTS**

D22,157 S \* 1/1893 Wahlers ..... D9/644  
D243,913 S \* 4/1977 Miles ..... D7/710

4,164,284 A \* 8/1979 Witt et al. .... 206/217  
D323,602 S \* 2/1992 Katz ..... D7/316  
D390,104 S \* 2/1998 Owen ..... D9/644  
D390,778 S \* 2/1998 Lee ..... D9/668  
6,041,918 A \* 3/2000 Moore ..... 206/0.815  
D424,876 S \* 5/2000 McPartland ..... D7/510  
D452,120 S \* 12/2001 Brangle et al. .... D7/606  
D500,103 S \* 12/2004 Lowinger ..... D21/698  
D553,443 S \* 10/2007 Hutzler et al. .... D7/539  
D611,777 S \* 3/2010 Yung ..... D7/628

\* cited by examiner

*Primary Examiner* — Cynthia Underwood

(74) *Attorney, Agent, or Firm* — Hedman & Costigan, P.C.;  
Kathleen A. Costigan

(57) **CLAIM**

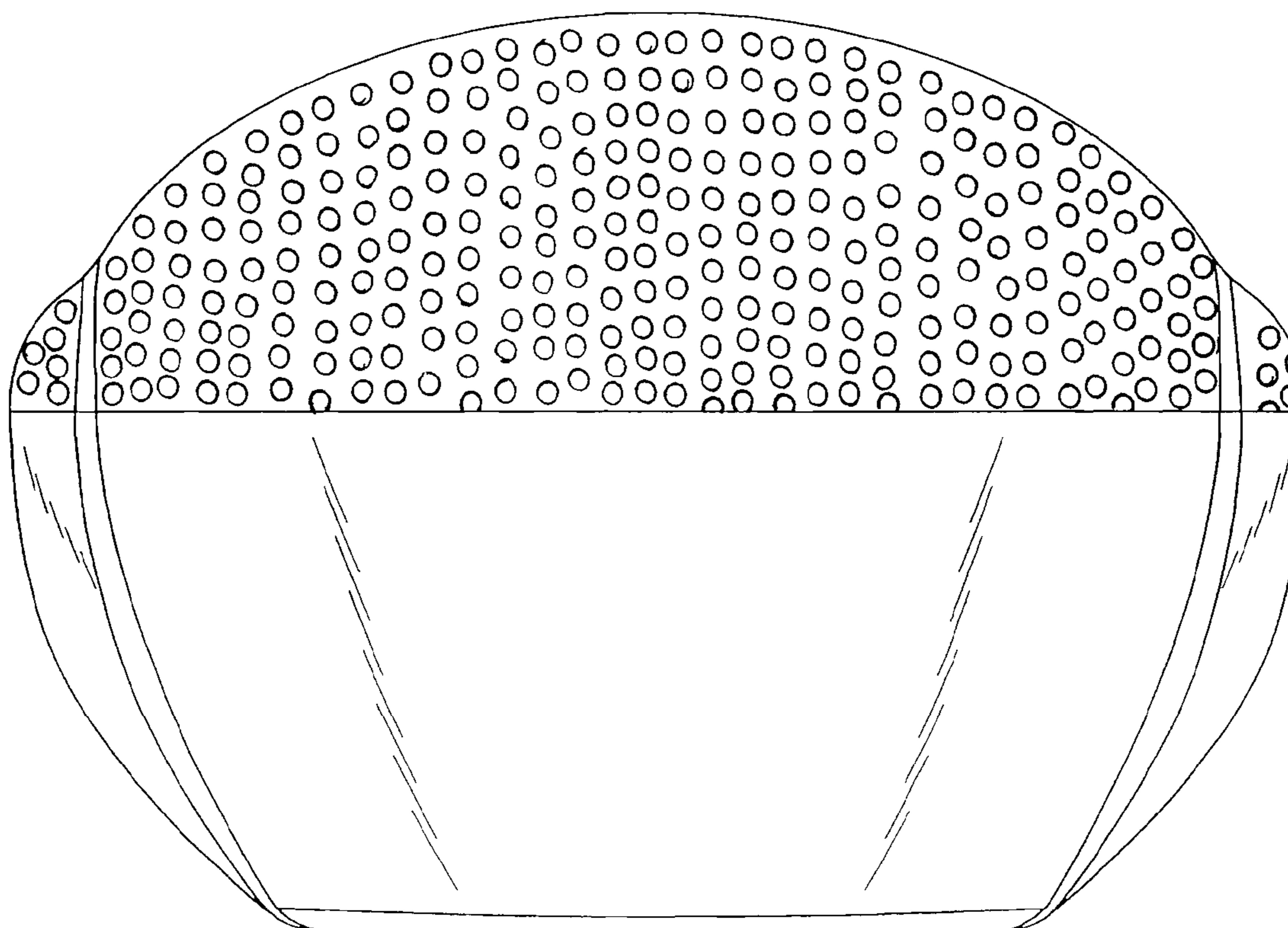
The ornamental design for a lemon container, with transparent base, as shown and described.

**DESCRIPTION**

FIG. 1 is a top plan view of a lemon container, with transparent base, showing our new design;  
FIG. 2 is a bottom plan view thereof;  
FIG. 3 is a left side elevational view, the right side elevational view being a mirror image thereof; and,  
FIG. 4 is a front elevational view, the back elevational view being a mirror image thereof.

The broken lines represent portions of the structure that form no part of the claim.

**1 Claim, 2 Drawing Sheets**



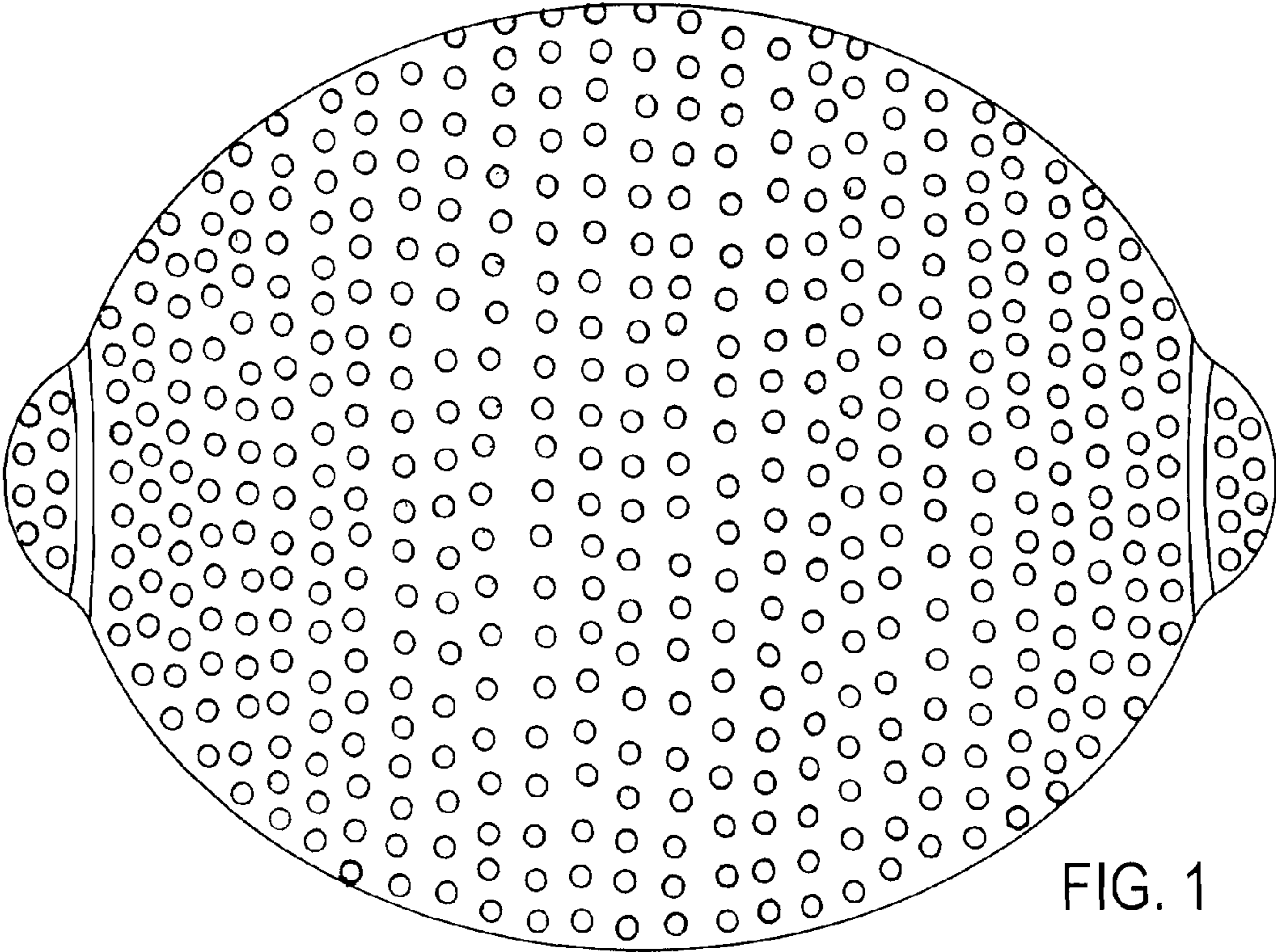


FIG. 1

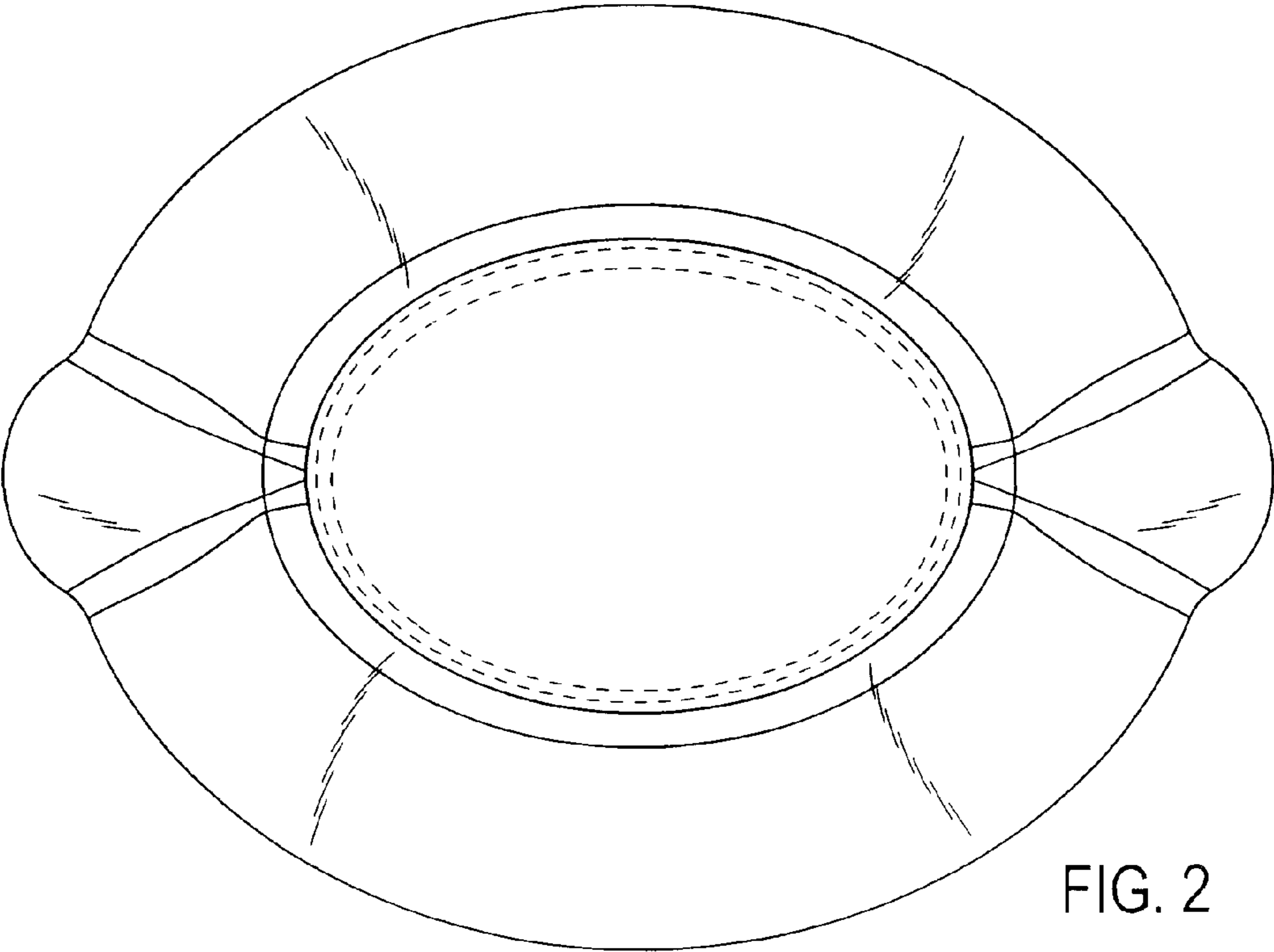


FIG. 2



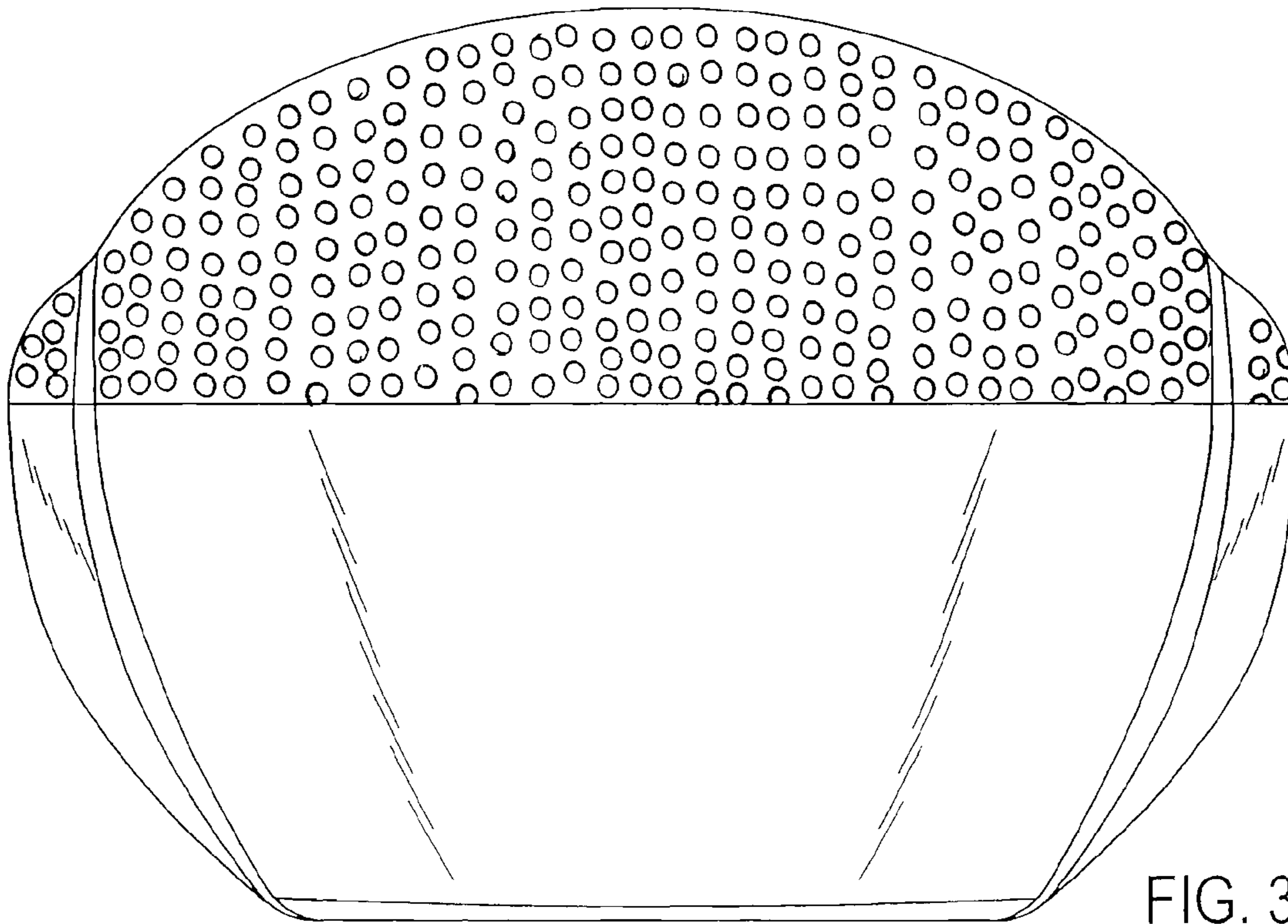


FIG. 3

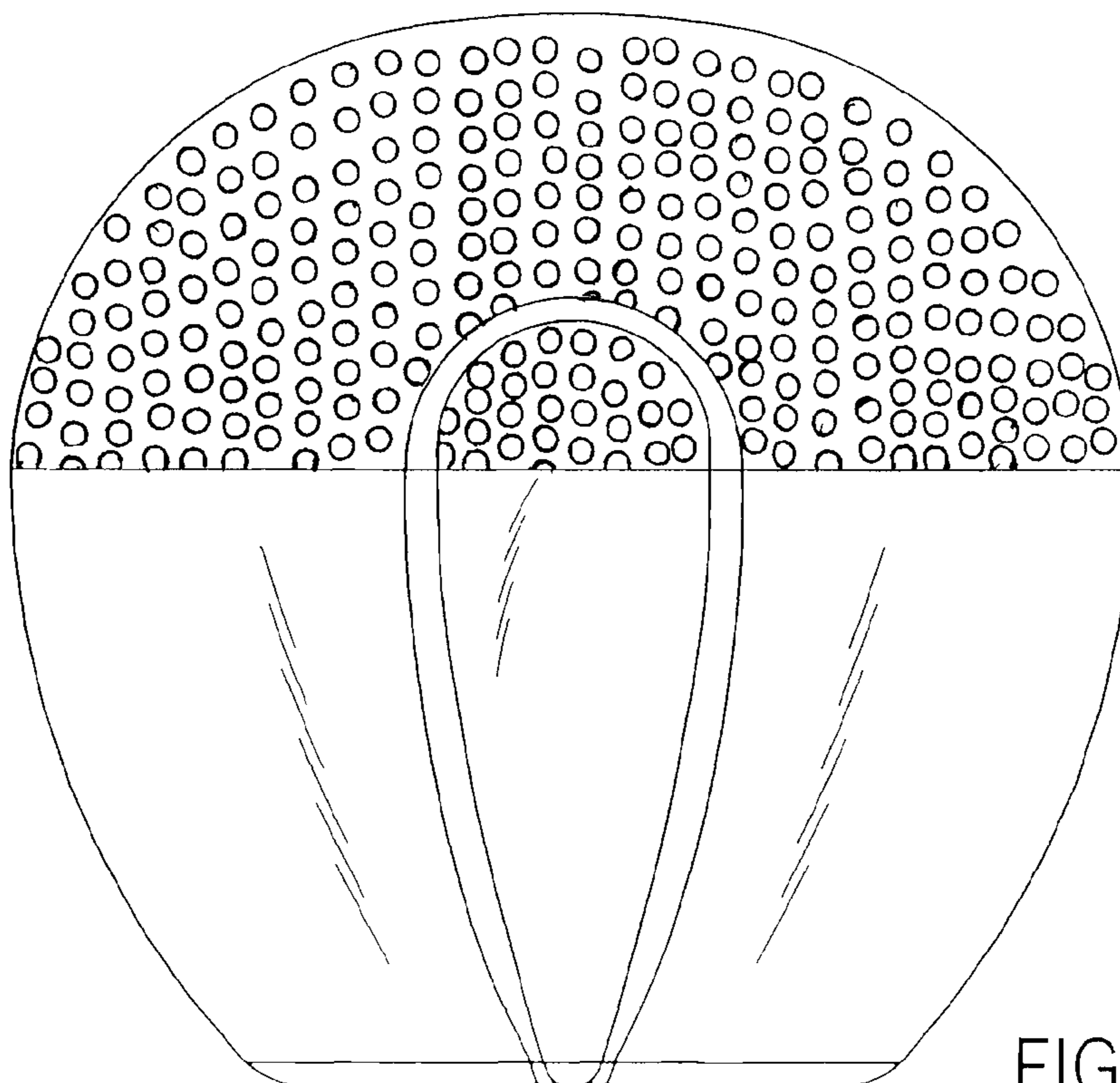


FIG. 4